



US00D965823S

(12) **United States Design Patent** (10) **Patent No.:** **US D965,823 S**  
**Liang** (45) **Date of Patent:** **\*\* Oct. 4, 2022**

(54) **DOOR SECURITY BAR**  
(71) Applicant: **Zhanpeng Liang**, Guangzhou (CN)  
(72) Inventor: **Zhanpeng Liang**, Guangzhou (CN)  
(\*\*) Term: **15 Years**  
(21) Appl. No.: **29/737,845**  
(22) Filed: **Jun. 12, 2020**  
(51) **LOC (13) Cl.** ..... **25-02**  
(52) **U.S. Cl.**  
USPC ..... **D25/48.5**  
(58) **Field of Classification Search**  
USPC ..... D25/38.1, 39, 48.4, 48.5, 48.8  
CPC .. E01F 13/028; E06B 9/08; E06B 9/60; E06B  
9/80; E06B 2009/002; E06B 11/027;  
E06B 11/04  
See application file for complete search history.

(56) **References Cited**

**U.S. PATENT DOCUMENTS**

D620,129 S \* 7/2010 Lundh ..... D25/48.5  
D621,957 S \* 8/2010 Lundh ..... D25/48.5  
8,191,604 B2 \* 6/2012 Wang ..... E06B 9/0692  
160/293.1  
D666,307 S \* 8/2012 Lundh ..... D25/48.1  
9,598,896 B1 \* 3/2017 Pichik ..... E06B 9/60  
D927,016 S \* 8/2021 Su ..... D25/48.5  
D929,609 S \* 8/2021 Su ..... D25/48.5  
D941,494 S \* 1/2022 Su ..... D25/48.4  
D941,495 S \* 1/2022 Su ..... D25/48.5  
D945,018 S \* 3/2022 Cai ..... D25/48.5  
D947,410 S \* 3/2022 Bearsch ..... D25/48.5  
2008/0121352 A1 \* 5/2008 Cheng ..... E01F 13/028  
160/238  
2008/0121354 A1 \* 5/2008 Cheng ..... E01F 13/028  
160/290.1  
2013/0299101 A1 \* 11/2013 Wang ..... E06B 9/60  
160/303

2018/0044982 A1 \* 2/2018 Wang ..... E06B 9/08  
2019/0078382 A1 \* 3/2019 Wang ..... E06B 9/17046  
2021/0040791 A1 \* 2/2021 Wang ..... E06B 9/08

**OTHER PUBLICATIONS**

Callowesse Air Retractable Safety Gate—Grey—Callowesse Limited <https://www.callowesse.co.uk/product/callowesse-air-retractable-safety-gate-grey/> Sep. 30, 2020 (Year: 2020).\*  
Johoe Retractable Baby Gate [https://www.amazon.co.uk/do/B08D7H6KZZ/ref=asc\\_df\\_B08D7H6KZZ165345480000/?tag=lion0d29-21&creative=22374&creativeASIN=B08D7H6KZZ&linkCode=df0](https://www.amazon.co.uk/do/B08D7H6KZZ/ref=asc_df_B08D7H6KZZ165345480000/?tag=lion0d29-21&creative=22374&creativeASIN=B08D7H6KZZ&linkCode=df0) Jul. 18, 2020 (Year: 2020).\*

\* cited by examiner

*Primary Examiner* — Leanne Was-Englehart  
(74) *Attorney, Agent, or Firm* — Georgi Korobanov

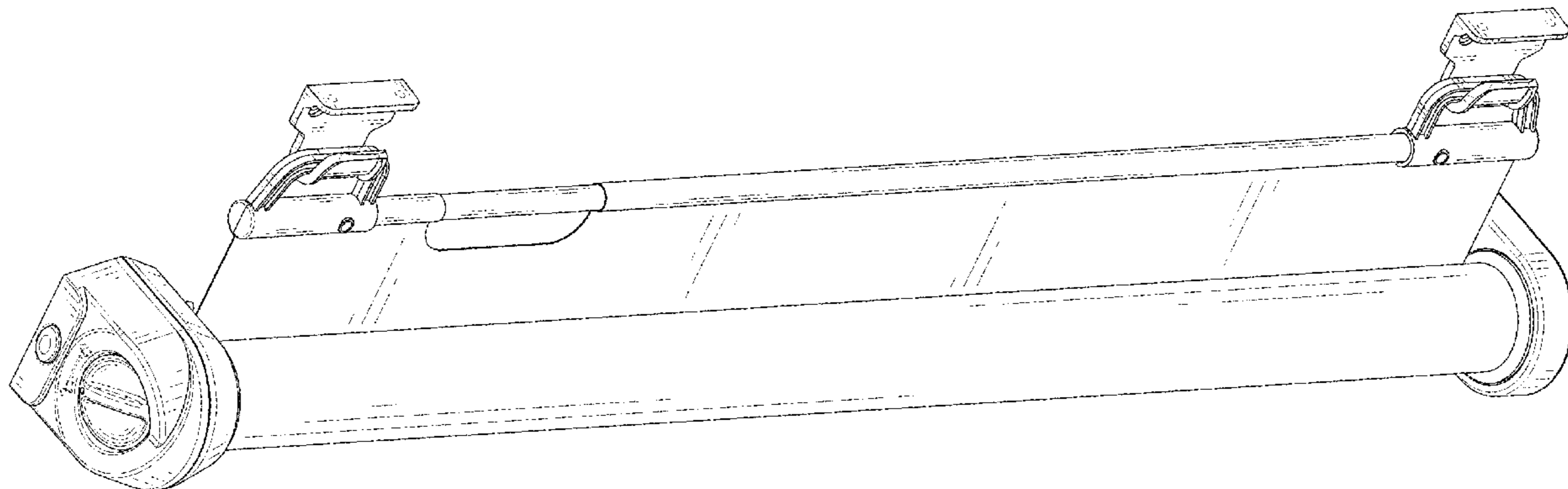
(57) **CLAIM**

The ornamental design for a door security bar, as shown and described.

**DESCRIPTION**

FIG. 1 is a perspective view of a door security bar showing my new design;  
FIG. 2 is another perspective view thereof;  
FIG. 3 is a front elevational view thereof;  
FIG. 4 is a rear elevational view thereof;  
FIG. 5 is a left side elevational view thereof;  
FIG. 6 is a right side elevational view thereof;  
FIG. 7 is a top plan view thereof; and,  
FIG. 8 is a bottom plan view thereof.  
The broken lines in the drawings depict portions of the door security bar that form no part of the claimed design.

**1 Claim, 8 Drawing Sheets**



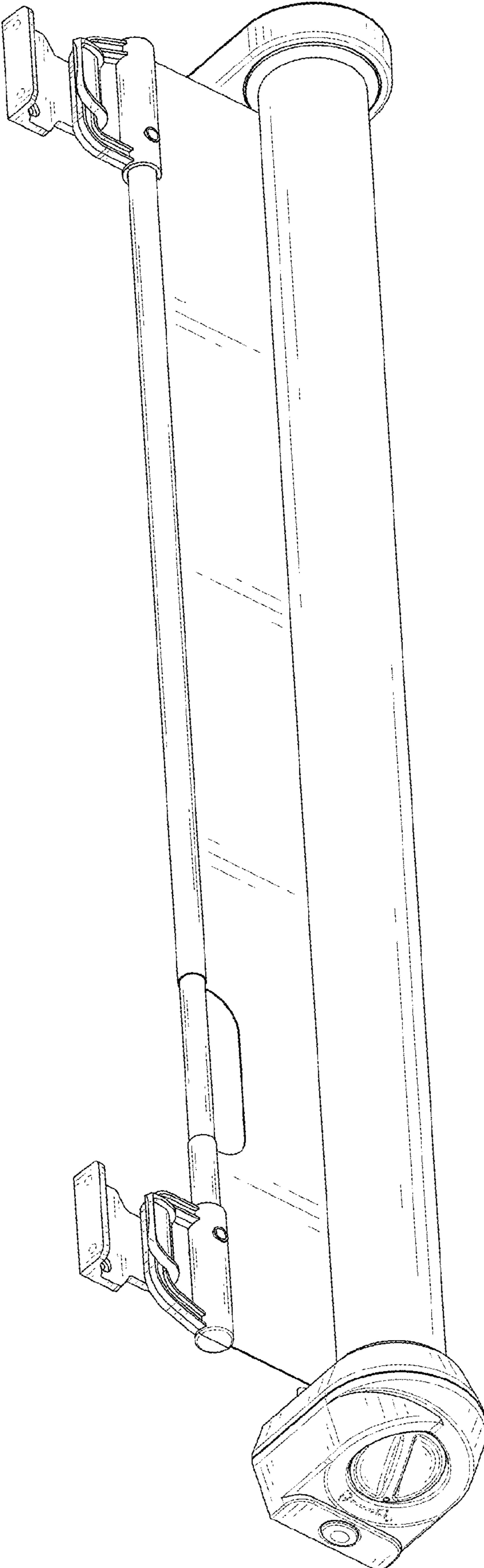


FIG. 1

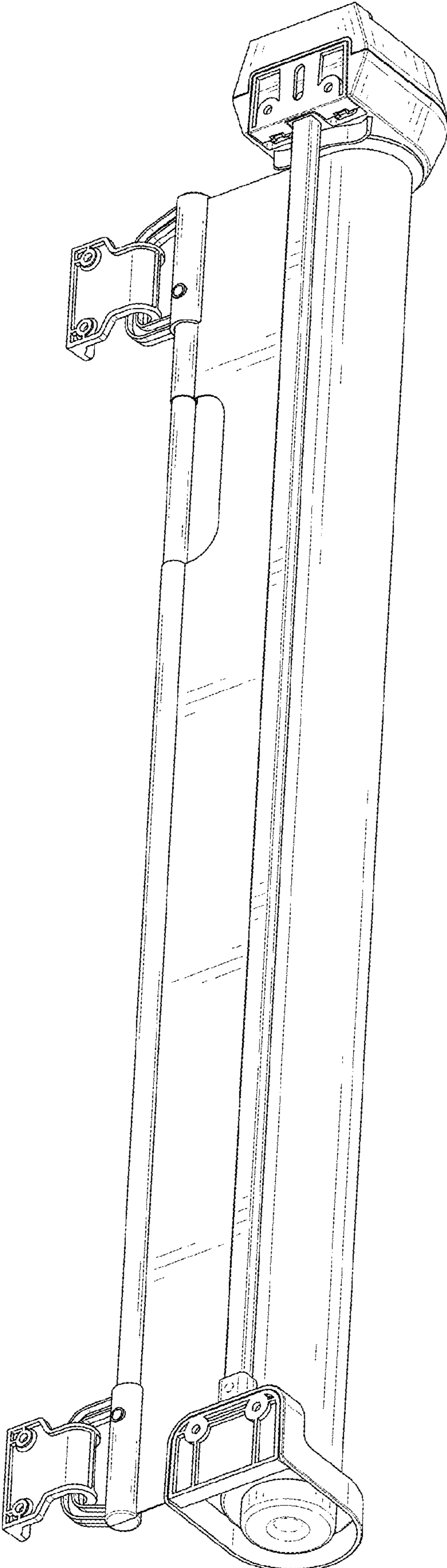


FIG. 2

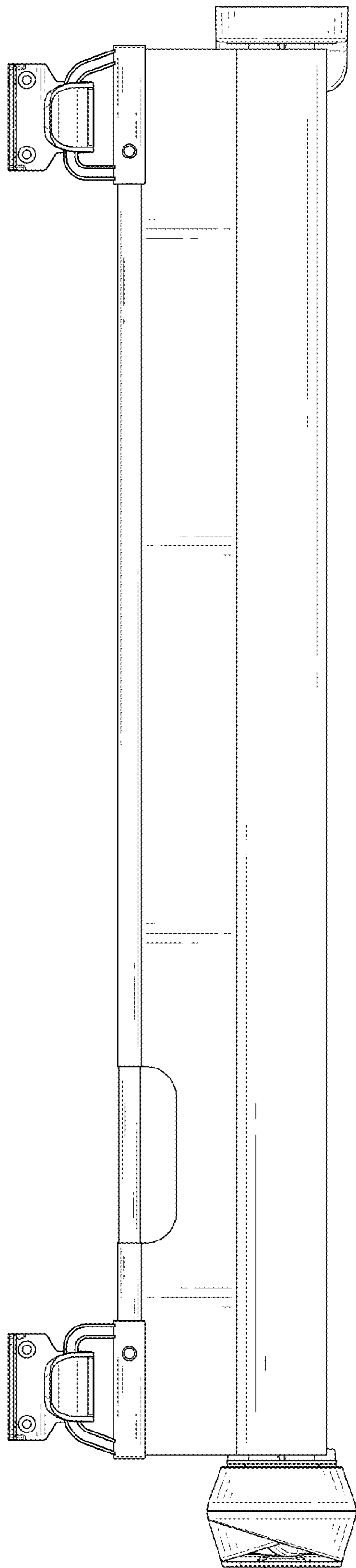


FIG. 3

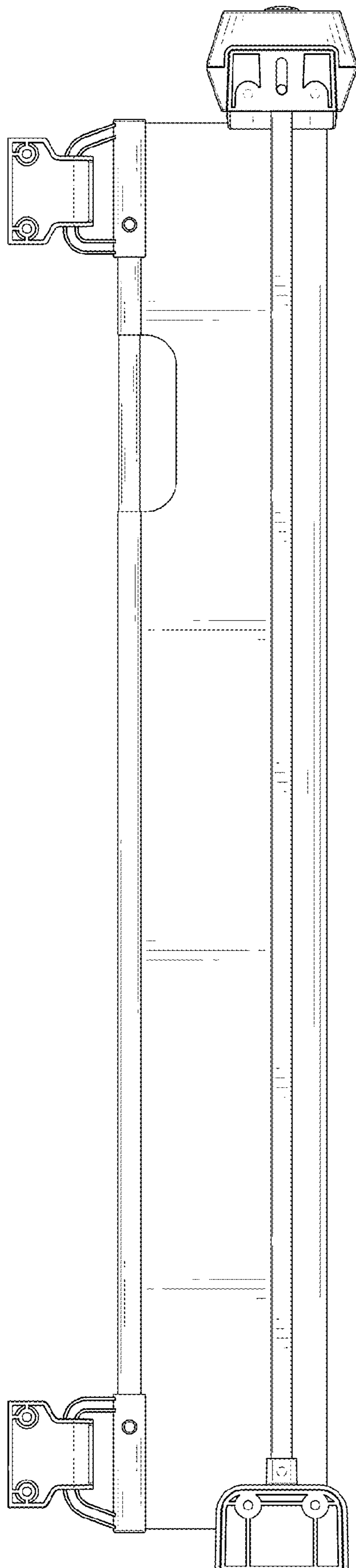


FIG. 4

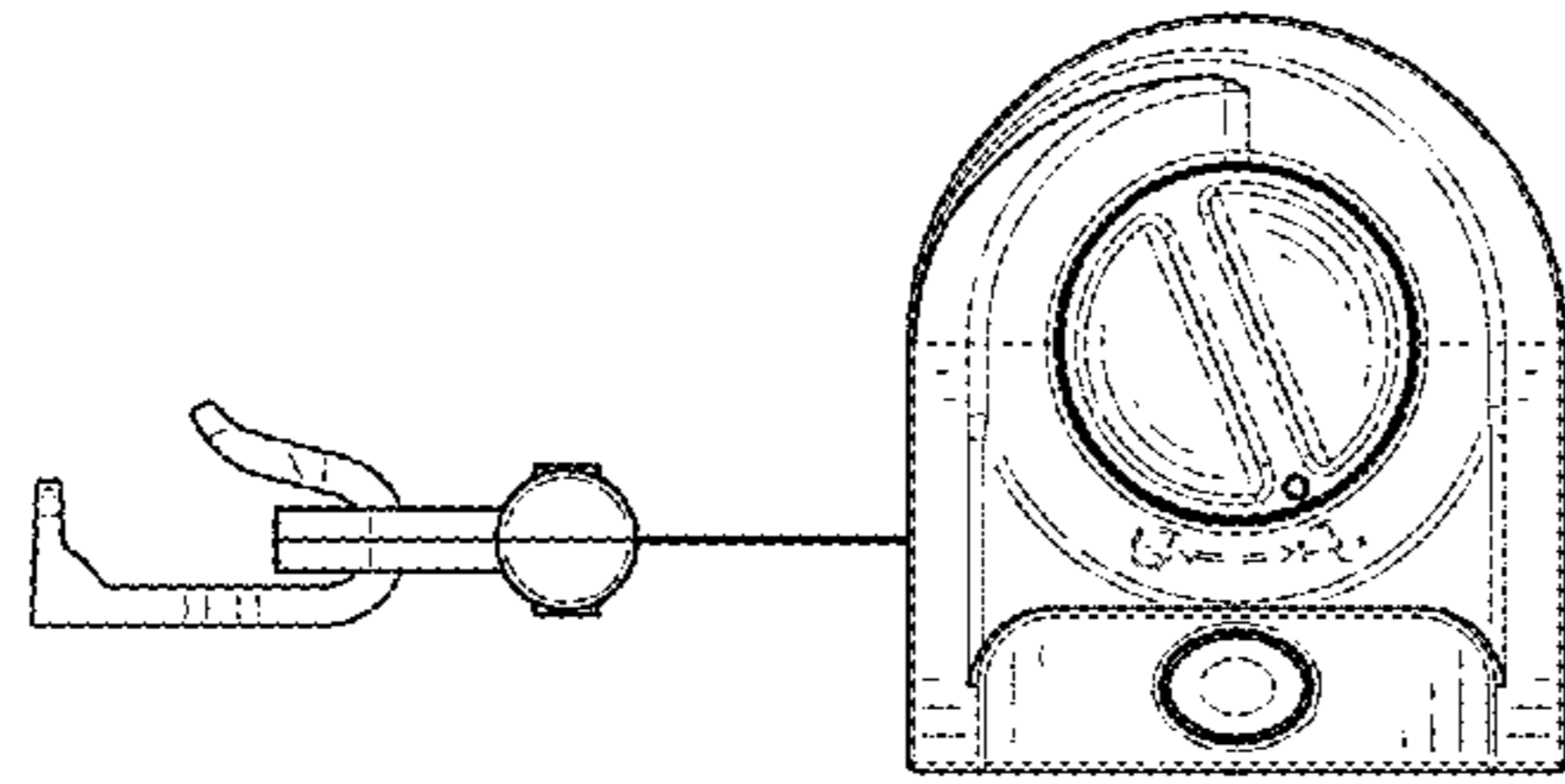


FIG. 5

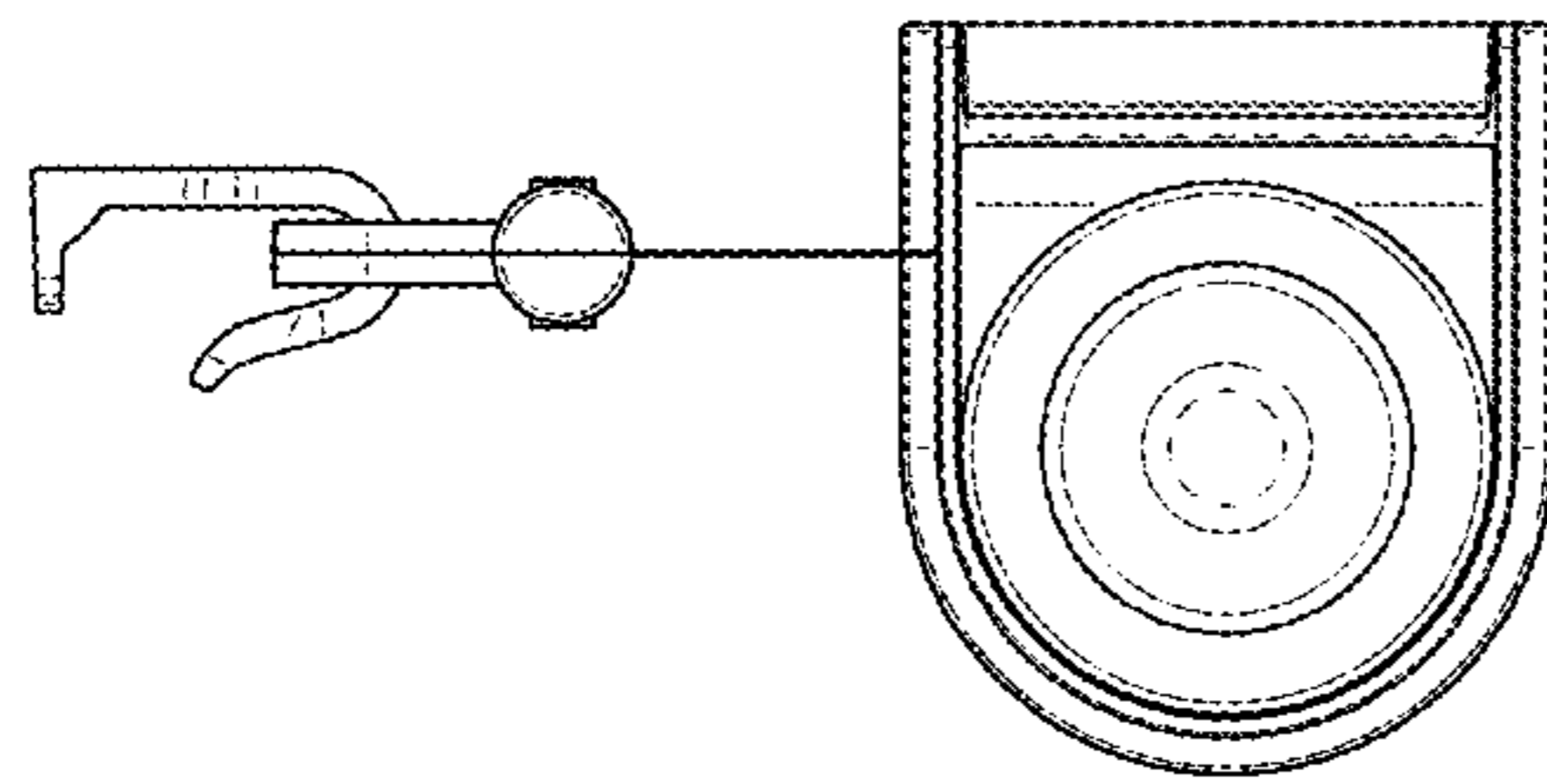


FIG. 6

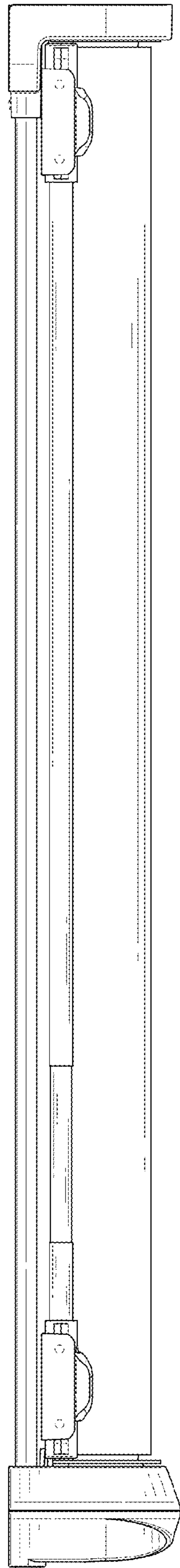


FIG. 7



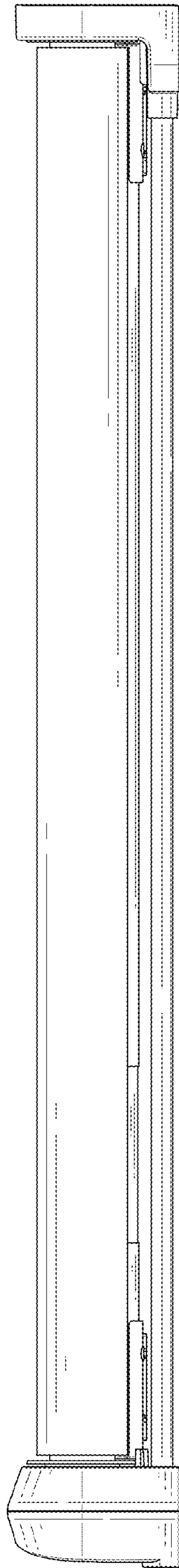


FIG. 8