



US00D965819S

(12) **United States Design Patent**
Yamanashi

(10) **Patent No.:** **US D965,819 S**

(45) **Date of Patent:** **** Oct. 4, 2022**

(54) **OFFICE BOOTH**

(71) Applicant: **OKAMURA CORPORATION**,
Yokohama (JP)

(72) Inventor: **Asuka Yamanashi**, Yokohama (JP)

(73) Assignee: **Okamura Corporation**, Yokohama (JP)

(**) Term: **15 Years**

(21) Appl. No.: **29/729,107**

(22) Filed: **Mar. 24, 2020**

(30) **Foreign Application Priority Data**

Sep. 26, 2019 (JP) 2019-021465

(51) **LOC (13) Cl.** **25-03**

(52) **U.S. Cl.**
USPC **D25/16; D6/643**

(58) **Field of Classification Search**
USPC D25/1-35; D6/332, 337, 640-644, 714
CPC E04H 1/14; E04H 1/125; E04H 1/1255;
E04B 1/34321; A27B 3/14
See application file for complete search history.

(56) **References Cited**

U.S. PATENT DOCUMENTS

D215,098 S *	9/1969	Wilcox	D6/643
D215,309 S *	9/1969	Barnes	108/60
D244,381 S *	5/1977	Crump	D25/16
D245,431 S *	8/1977	Kent	D25/16
D297,987 S *	10/1988	Borsos	D6/653.17
D339,250 S *	9/1993	Risom	D6/643
D359,633 S *	6/1995	Bubb	D6/643
D480,232 S *	10/2003	Bosman	D6/643
D493,041 S *	7/2004	Gower	D6/643
D498,080 S *	11/2004	Bosman	D6/643
D603,183 S *	11/2009	Abel	D6/643
D603,621 S *	11/2009	Abel	D6/643

D612,631 S *	3/2010	Pazhoor	D6/643
D616,217 S *	5/2010	Abel	D6/643
D616,667 S *	6/2010	Pazhoor	D6/643
D616,668 S *	6/2010	Pazhoor	D6/643
D622,975 S *	9/2010	Abel	D6/643
D646,502 S *	10/2011	Pazhoor	D6/643

(Continued)

FOREIGN PATENT DOCUMENTS

GB	3016281	*	7/2004
JP	D1464042	*	3/2013

(Continued)

OTHER PUBLICATIONS

Bee Personal Pods, available in website.com, announced Year 2019 [online], [site visited Jan. 28, 2022], Internet URL: <https://www.verco.co.uk/product/bee/> (Year: 2019).*

(Continued)

Primary Examiner — Brett Miller

Assistant Examiner — Jasmine L. Comedy

(74) *Attorney, Agent, or Firm* — Sughrue Mion, PLLC

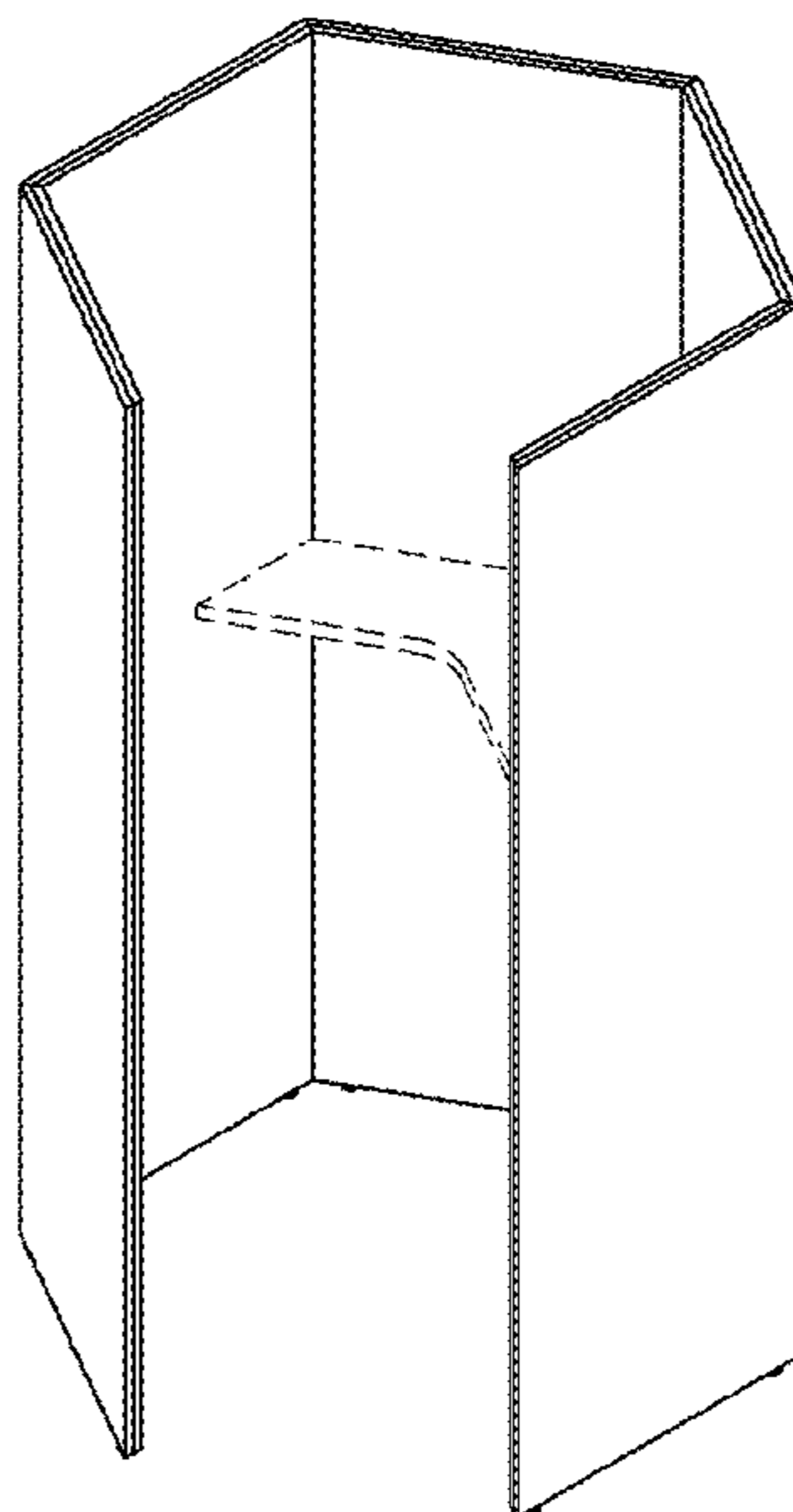
(57) **CLAIM**

The ornamental design for an office booth, as shown and described.

DESCRIPTION

FIG. 1 is a perspective view of an office booth;
FIG. 2 is a front elevation view thereof;
FIG. 3 is a right side elevation view thereof;
FIG. 4 is a top plan view thereof;
FIG. 5 is a left side elevation view thereof;
FIG. 6 is a rear elevation view thereof; and,
FIG. 7 is a bottom plan view thereof.
The broken lines shown in the drawings illustrate portions of the office booth that form no part of the claimed design.

1 Claim, 7 Drawing Sheets



(56)

References Cited

U.S. PATENT DOCUMENTS

D671,764	S	*	12/2012	Pazhoor	D6/643
D671,766	S	*	12/2012	Pazhoor	D6/643
D671,768	S	*	12/2012	Pazhoor	D6/643
D706,557	S	*	6/2014	Meissner	D6/675.1
D741,503	S	*	10/2015	Uetabira	D25/16
D748,416	S	*	2/2016	Meissner	D6/675.1
D765,267	S	*	8/2016	Uetabira	D25/16
D796,871	S	*	9/2017	Bouroullec	D6/643
D798,613	S	*	10/2017	Rost, Jr.	D6/332
D854,357	S	*	7/2019	Wolf	D6/643
D873,053	S	*	1/2020	Wolf	D6/643
D910,205	S	*	2/2021	Nakata	D25/16
D929,608	S	*	8/2021	Kitada	D25/16
2016/0312486	A1	*	10/2016	Booker	E04H 1/1266

FOREIGN PATENT DOCUMENTS

JP	D1464315	*	3/2013		
JP	D1518090	*	2/2015		
JP	D1550590	*	5/2016		
JP	2021067033	A	* 4/2021	E04B 1/343

OTHER PUBLICATIONS

Den Samsung workstation, available in website.com, announced Year 2019 [online], [site visited Jan. 28, 2022], Internet URL: <https://fourdesign.dk/wp-content/uploads/2020/12/Den-Samsung-configuration-plans.pdf> (Year: 2019).*

Link Modular System, available in website.com, announced Year 2015 [online], [site visited Jan. 28, 2022], Internet URL: <https://www.innerspacewa.com.au/products/link-modular-system-by-actiu/?print> (Year: 2015).*

Acoustic Sale Pods, available in website.com, announced Year 2014 [online], [site visited Jan. 28, 2022], Internet URL: <https://www.solutions-4.co.uk/wp-content/uploads/2018/12/Solution-Pods.pdf> (Year: 2014).*

* cited by examiner

FIG. 1

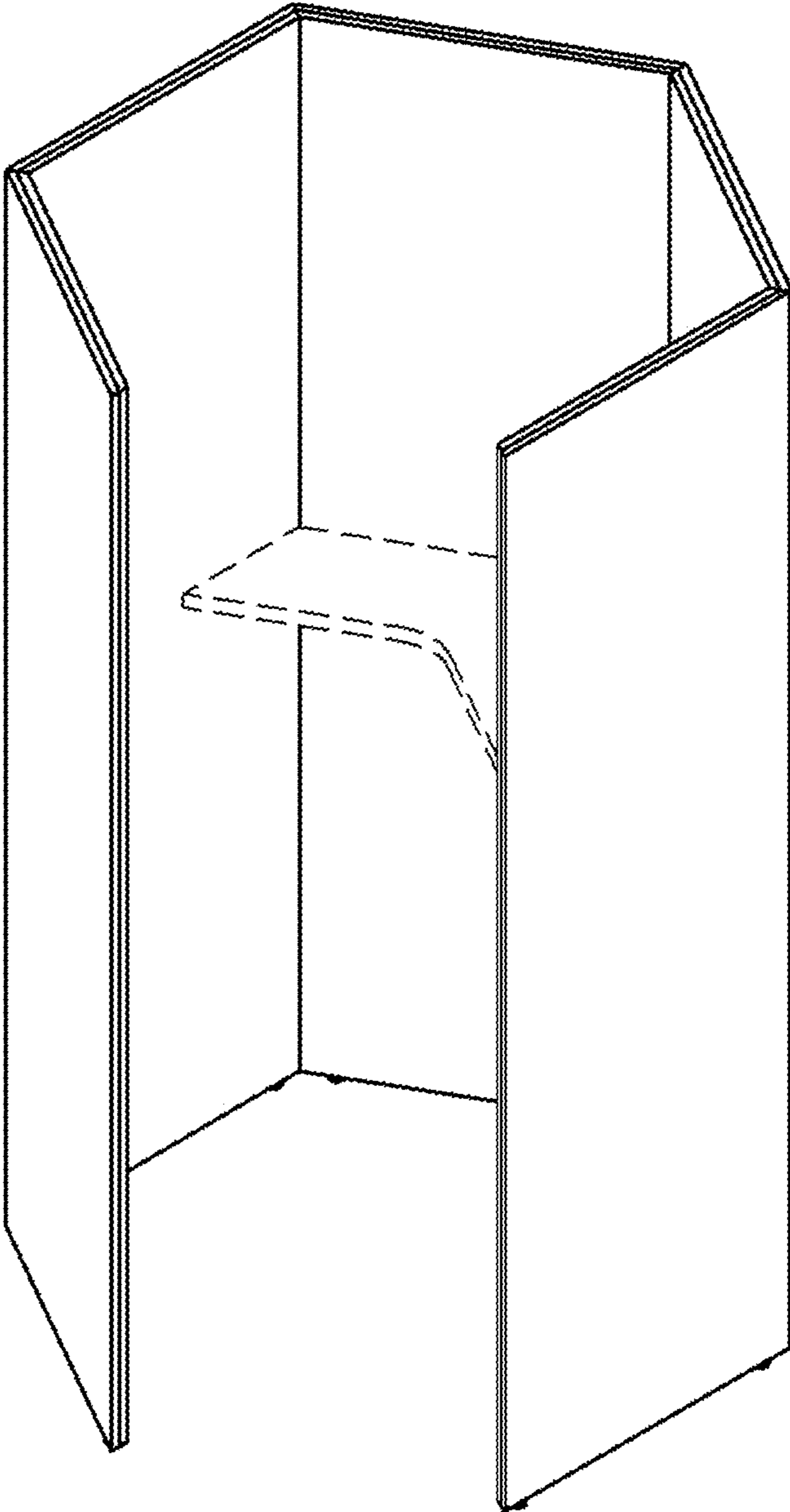


FIG. 2

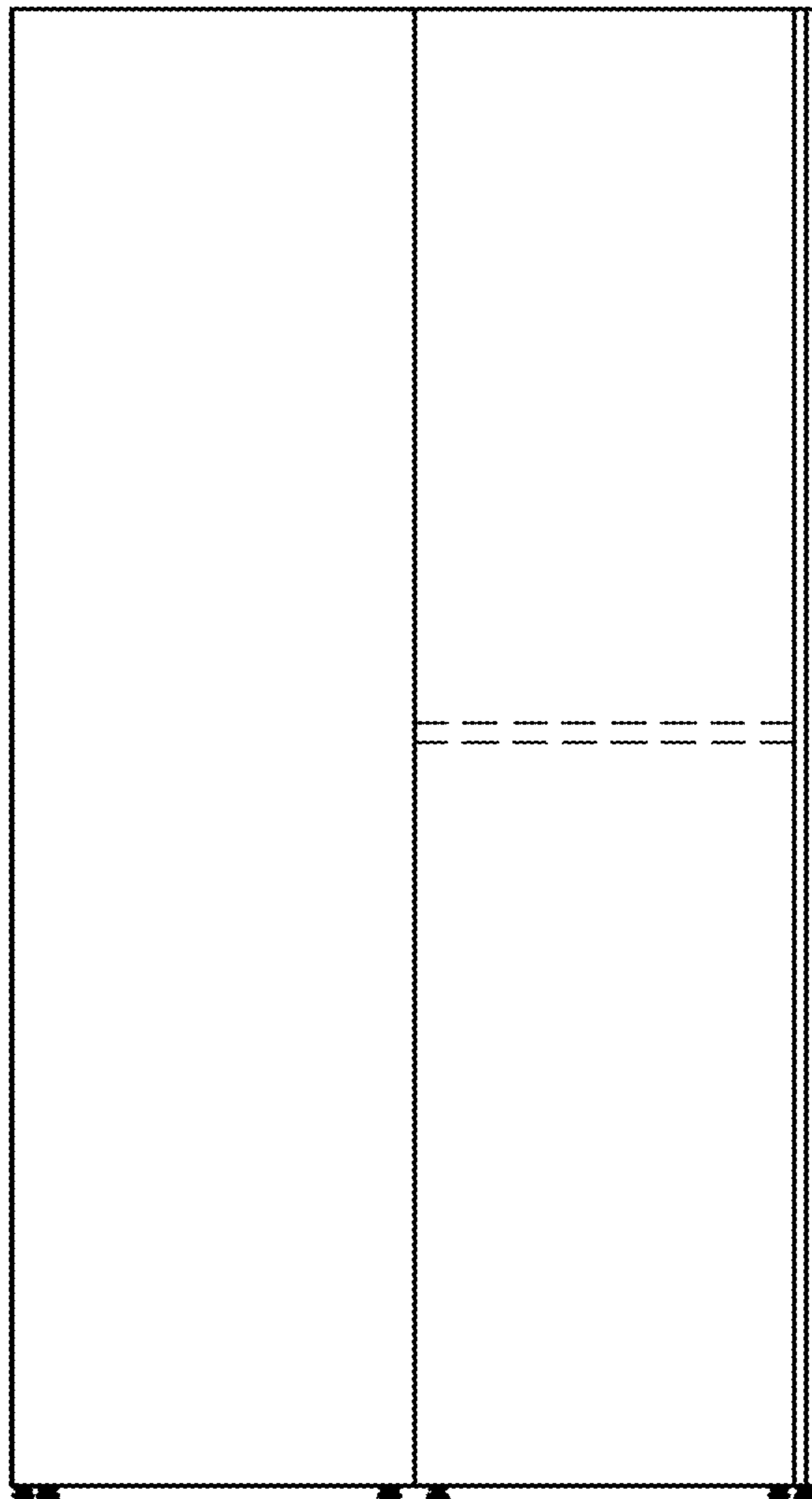


FIG. 3

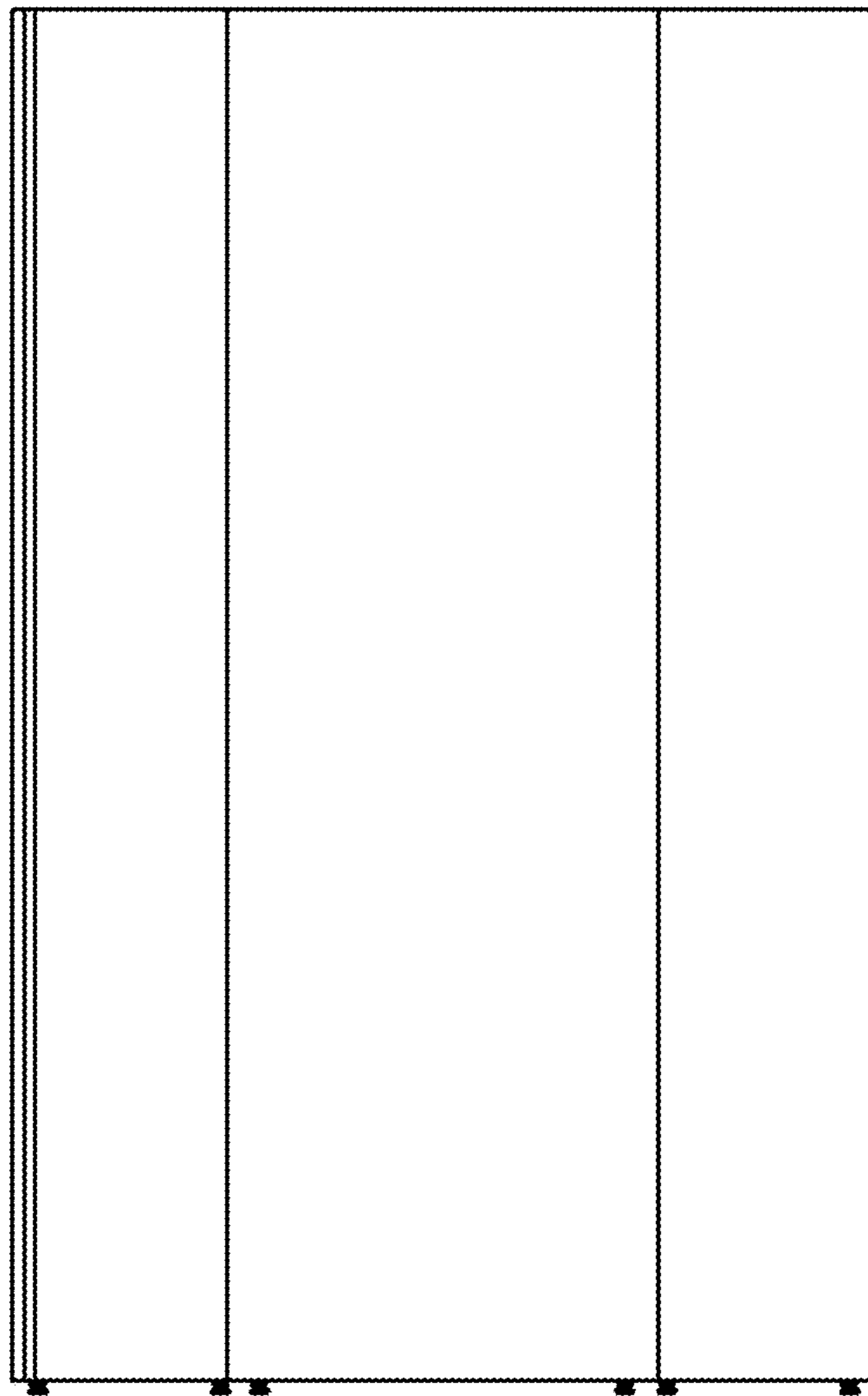


FIG. 4

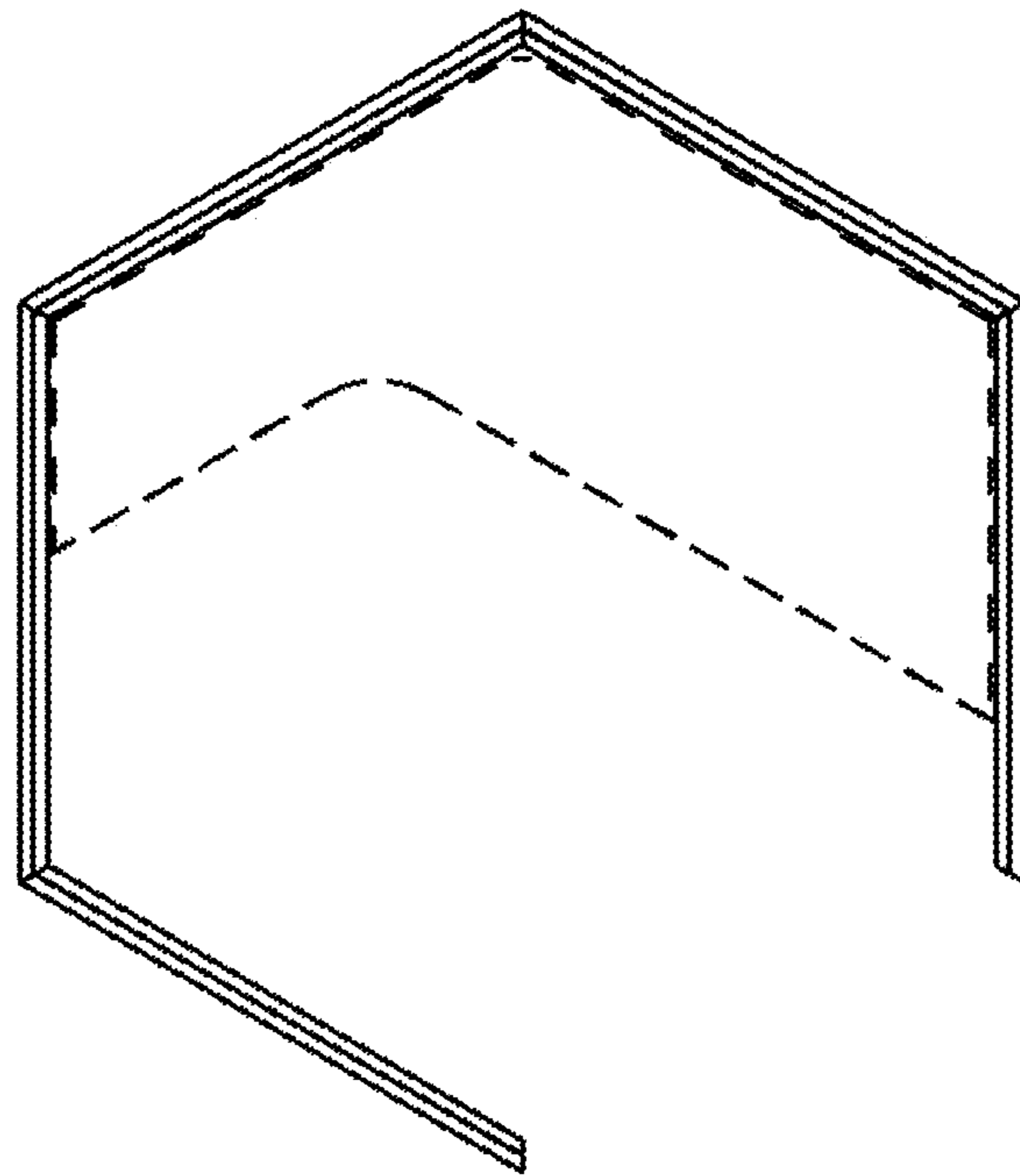


FIG. 5

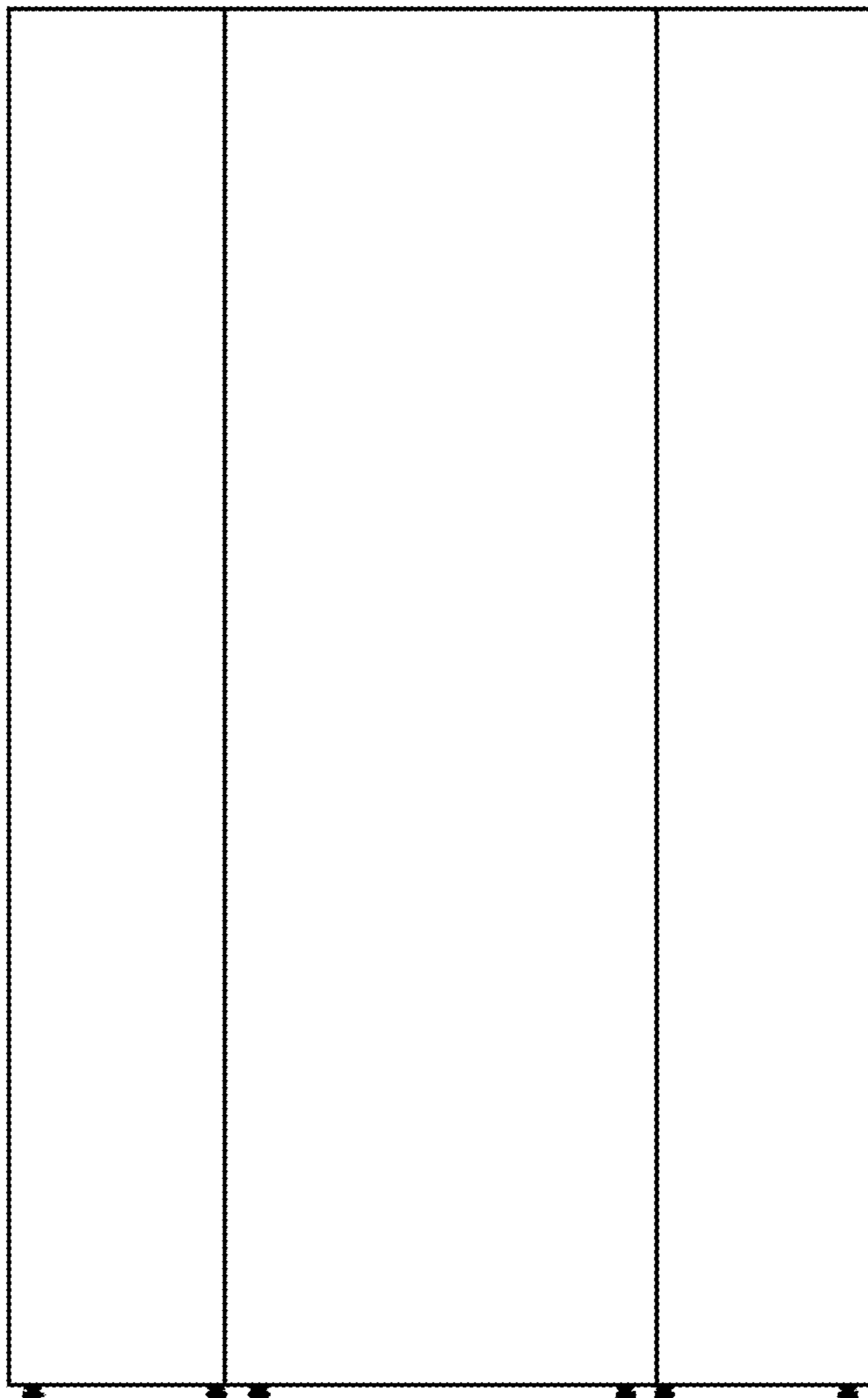


FIG. 6

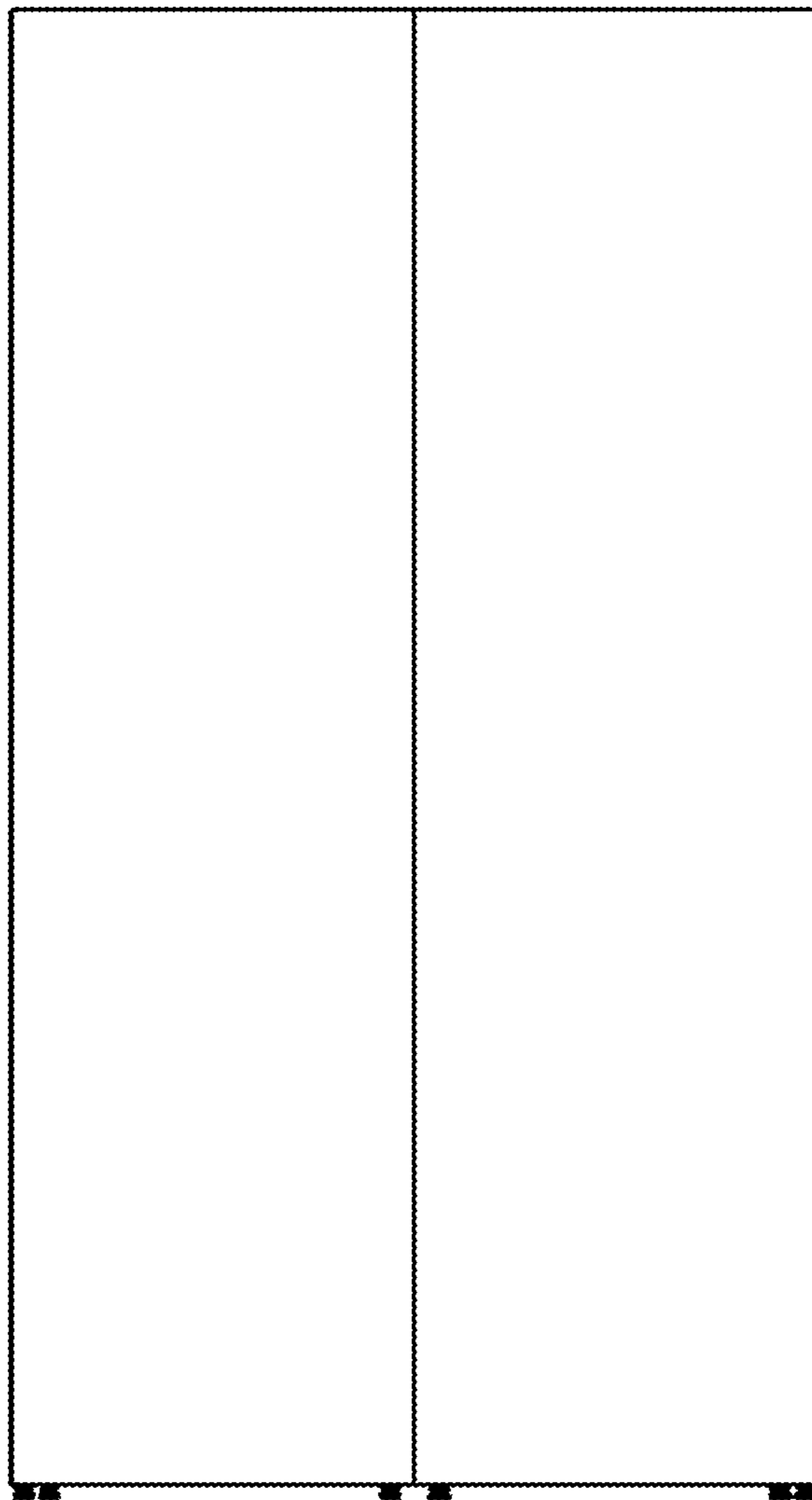


FIG. 7

