



US00D965818S

(12) **United States Design Patent**
Hulle

(10) **Patent No.:** **US D965,818 S**
(45) **Date of Patent:** **** *Oct. 4, 2022**

- (54) **DWELLING STRUCTURE** 3,466,817 A * 9/1969 Heinrich E04H 1/04
52/30
 - (71) Applicant: **Robert Van Hulle**, Emeryville, CA 3,535,835 A * 10/1970 Kupper E04H 1/04
(US) 52/79.2
 - (72) Inventor: **Robert Van Hulle**, Emeryville, CA 4,098,039 A * 7/1978 Sutelan E04H 1/04
(US) 52/236.1
- (Continued)

(*) Notice: This patent is subject to a terminal disclaimer.

(**) Term: **15 Years**

(21) Appl. No.: **29/744,788**

(22) Filed: **Jul. 31, 2020**

Related U.S. Application Data

(62) Division of application No. 29/670,939, filed on Nov. 20, 2018, now Pat. No. Des. 895,149.

(51) **LOC (13) Cl.** **25-03**

(52) **U.S. Cl.**
USPC **D25/6**

(58) **Field of Classification Search**
USPC D25/1, 3-35, 56, 58, 59, 61
CPC E04H 1/00-06; E04H 6/08; E04H 6/10;
E04B 1/19; E04B 2001/1927
See application file for complete search history.

(56) **References Cited**

U.S. PATENT DOCUMENTS

- 2,698,973 A * 1/1955 Zeckendorf E04H 1/04
52/185
- D191,350 S * 9/1961 Horvat D25/3
- 3,105,999 A * 10/1963 Piazzolo E04H 6/08
52/176
- D197,642 S * 3/1964 Garrett D25/5
- D197,765 S * 3/1964 Lott D25/6
- D212,844 S * 12/1968 Mullen D25/4
- 3,440,781 A * 4/1969 Lott E04H 6/10
52/175

OTHER PUBLICATIONS

Surfaces Reporter, Farmanieh Residential Tower by ZAAD, Aug. 13, 2018, Surfaces Reporter, <https://www.surfacesreporter.com/articles/20907/farmanieh-residential-tower-by-zaad-studio-and-marz-design> (Year: 2018).*

(Continued)

Primary Examiner — Brett Miller
(74) *Attorney, Agent, or Firm* — Peter Jensen-Haxel

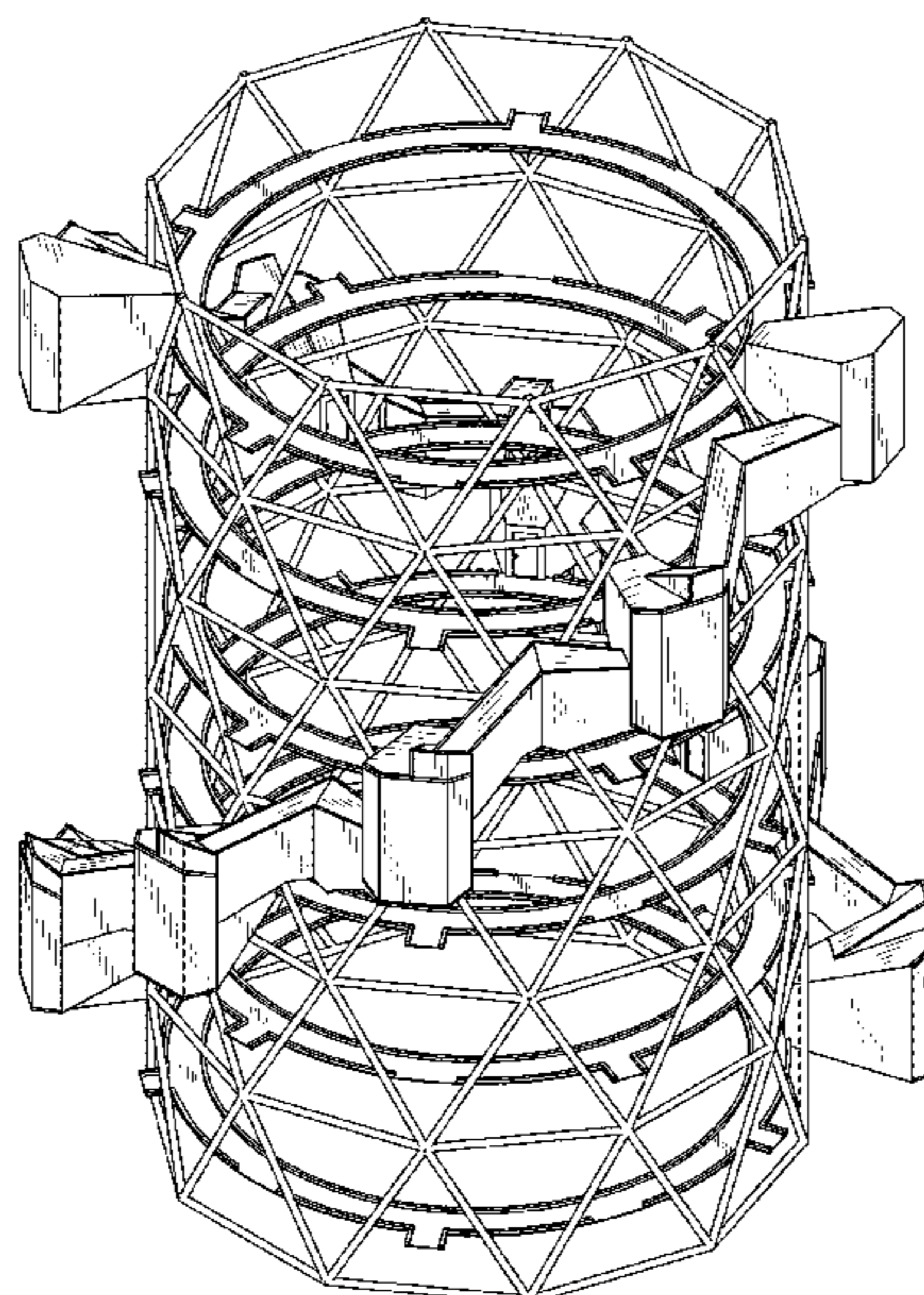
(57) **CLAIM**

The ornamental design for a dwelling structure, as shown and described.

DESCRIPTION

FIG. 1 is a perspective view of a dwelling structure, the perspective view partially from the front of the dwelling structure, partially from the right side of the dwelling structure, and partially from the top of the dwelling structure;
FIG. 2 is a front view of the dwelling structure of FIG. 1;
FIG. 3 is a back view of the dwelling structure of FIG. 1;
FIG. 4 is a left side view of the dwelling structure of FIG. 1;
FIG. 5 is a right side view of the dwelling structure of FIGS. 1; and,
FIG. 6 is a top view of the dwelling structure of FIG. 1, where the bottom forms no part of the design of the dwelling structure.
The broken lines in the embodiments of FIG. 1 though FIG. 6 depict portions of the dwelling that form no part of the claimed design.

1 Claim, 6 Drawing Sheets



(56)

References Cited

U.S. PATENT DOCUMENTS

4,434,595 A * 3/1984 de Brabant E04H 1/04
52/236.2
D275,306 S * 8/1984 Edwards D25/31
5,199,231 A * 4/1993 Dever E04H 1/04
52/176
5,528,866 A * 6/1996 Yulkowski E04H 1/04
52/79.12
D397,799 S * 9/1998 Kitchen D25/1
5,829,941 A * 11/1998 Zamorano Morfin .. E04H 6/282
414/261
D486,237 S * 2/2004 Henry D25/1
D648,036 S * 11/2011 Herzog D25/5
D743,049 S * 11/2015 Brody D25/1
D834,726 S * 11/2018 Kitchen D25/6
D872,642 S * 1/2020 Heatherwick D25/6
D886,323 S * 6/2020 Yusupov D25/3
2005/0252100 A1 * 11/2005 Nord E04H 1/02
52/79.4
2016/0348384 A1 * 12/2016 Zheng E04H 1/06
2018/0171653 A1 * 6/2018 Birch E04H 1/005

OTHER PUBLICATIONS

Spiral Tower would be world's first "Climate neutral high rise attraction", Jul. 10, 2020, Dezeen, <https://www.dezeen.com/2020/07/10/spiral-tower-electric-viewpoint-attraction-architecture-concept/> (Year: 2020).*

This Spiral tower will offer spectacular view of Denmark's camp adventure, Jun. 28, 2017, Homecrux, <https://www.homecrux.com/spiral-tower-to-offer-spectacular-view-of-denmarks-camp-adventure/73162/>(Year: 2017).*

* cited by examiner

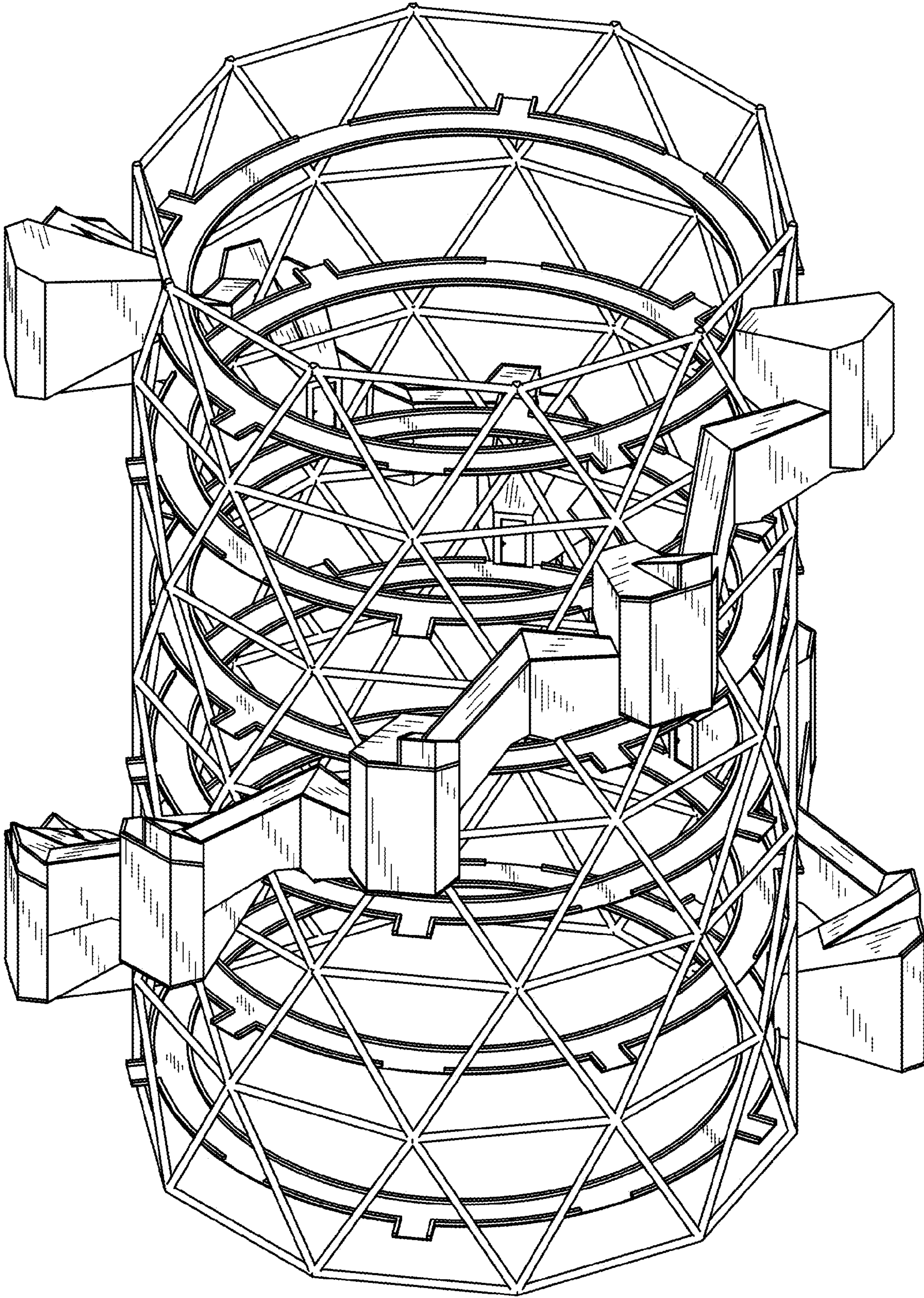


FIG. 1

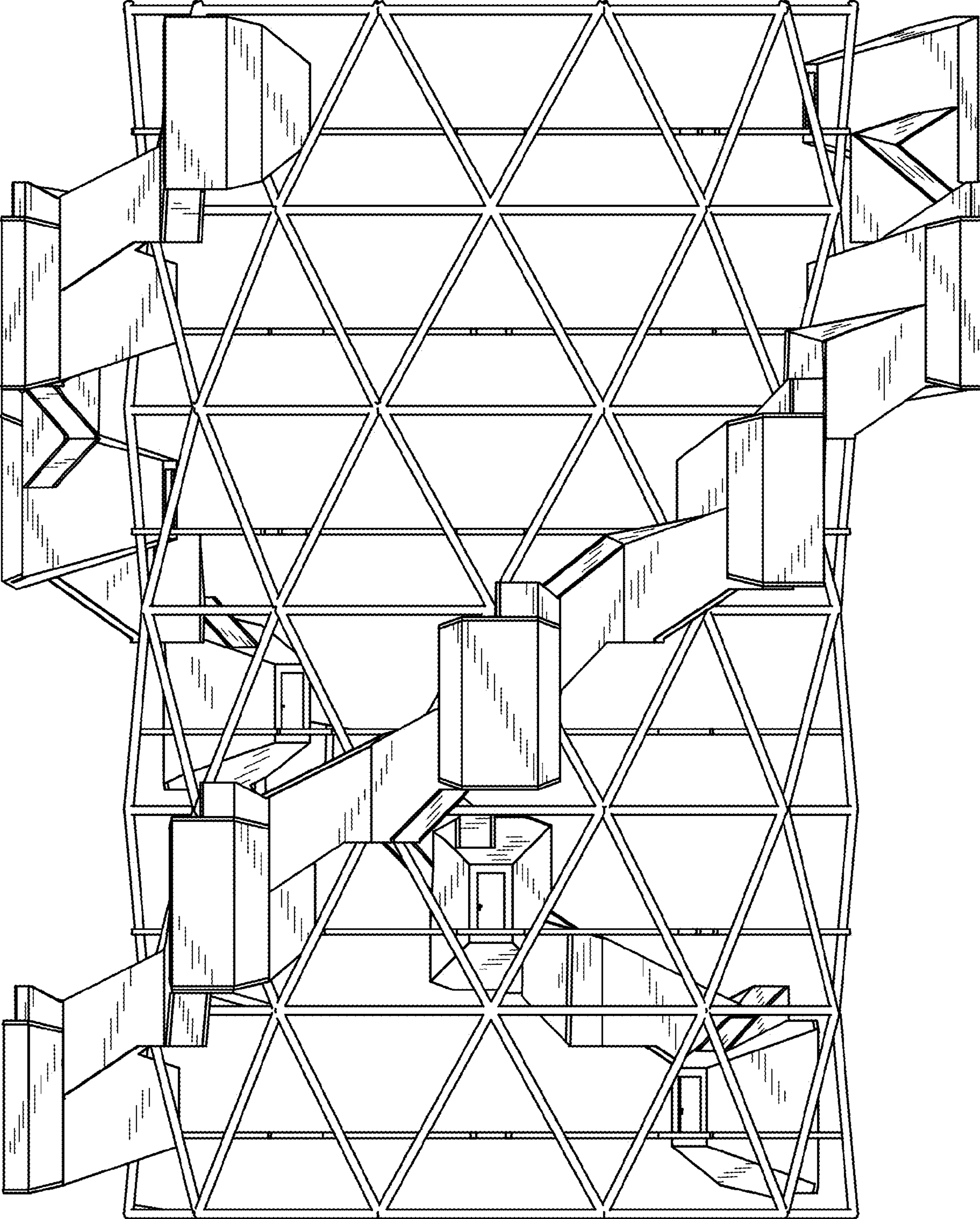


FIG. 2

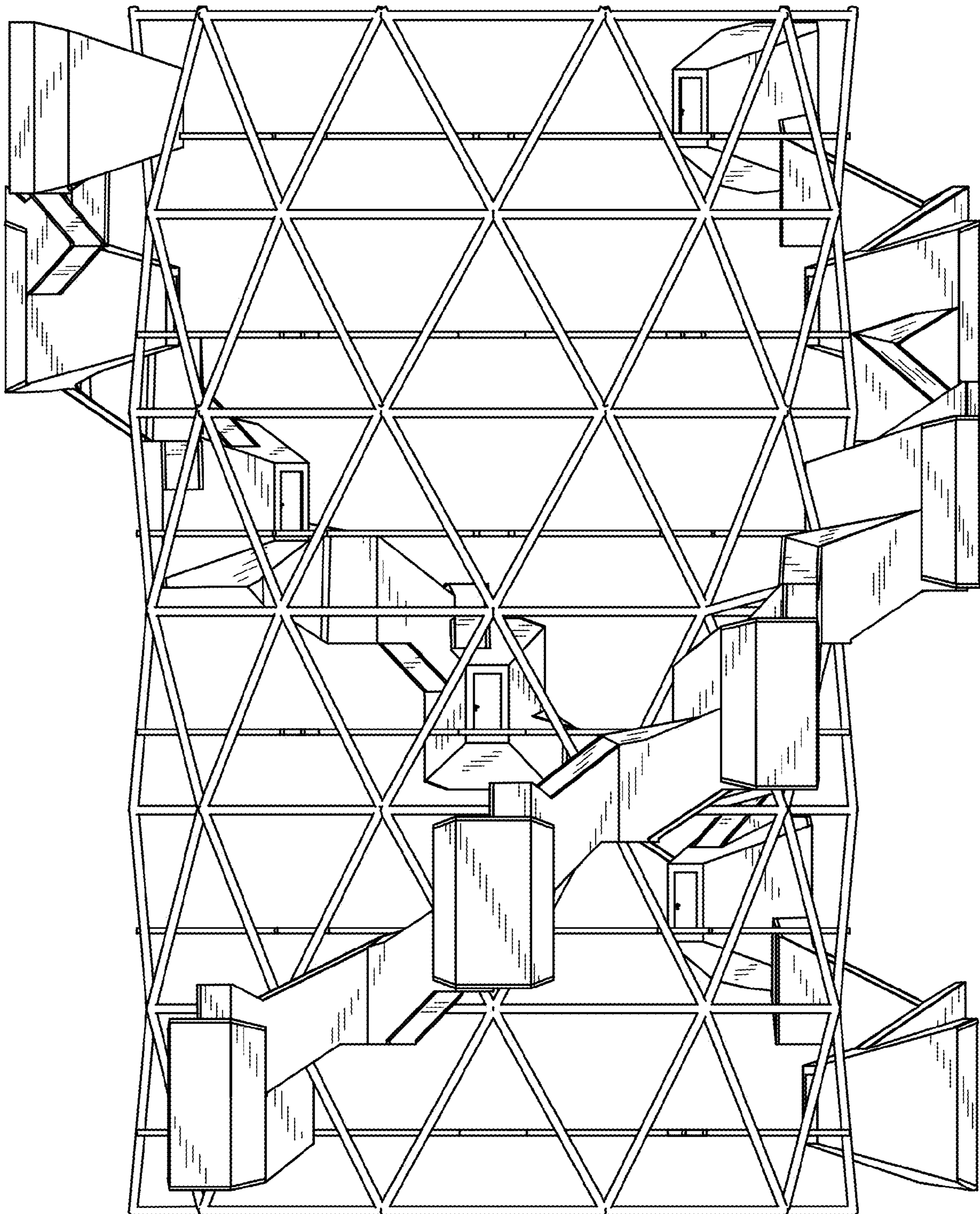


FIG. 3

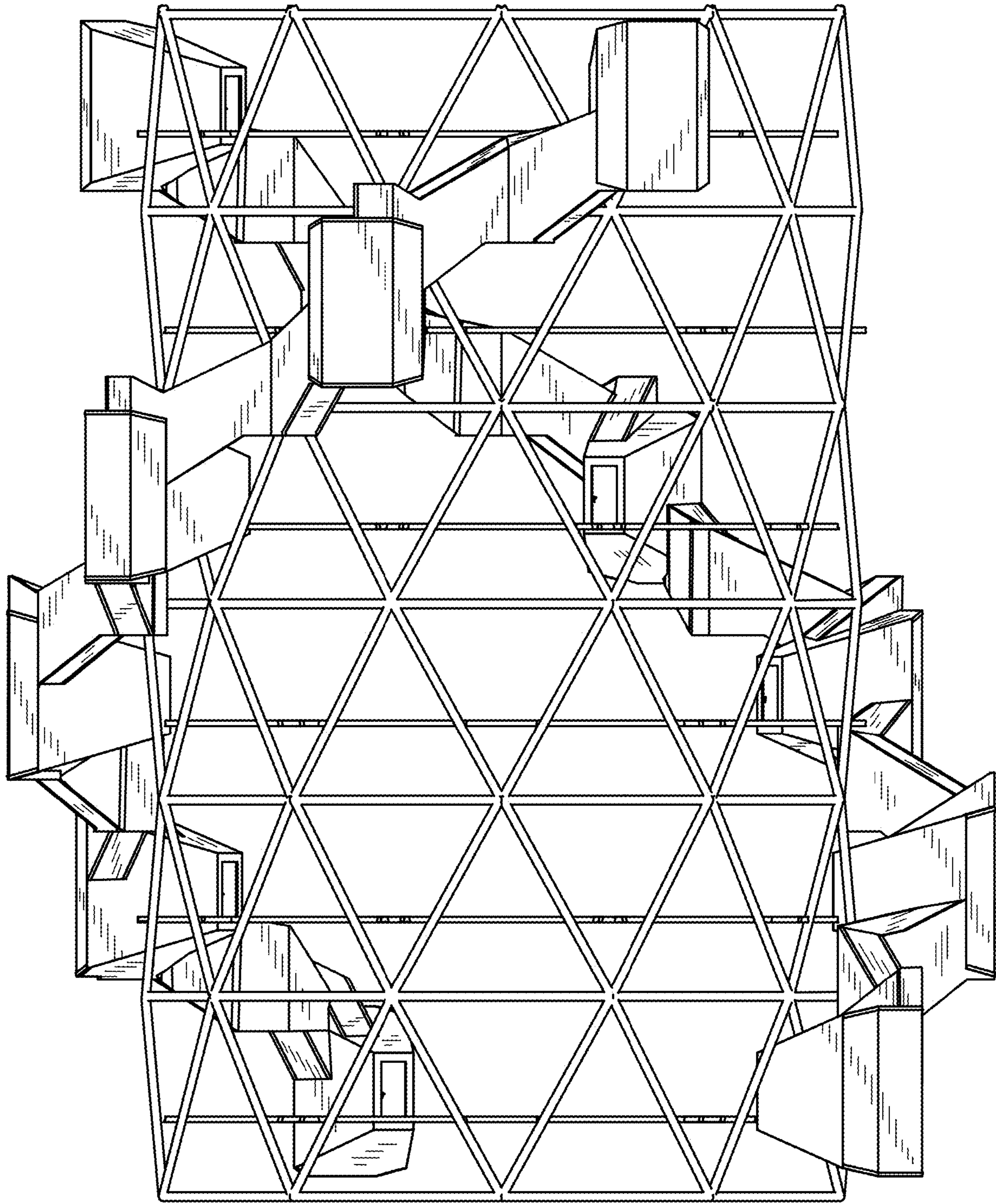


FIG. 4

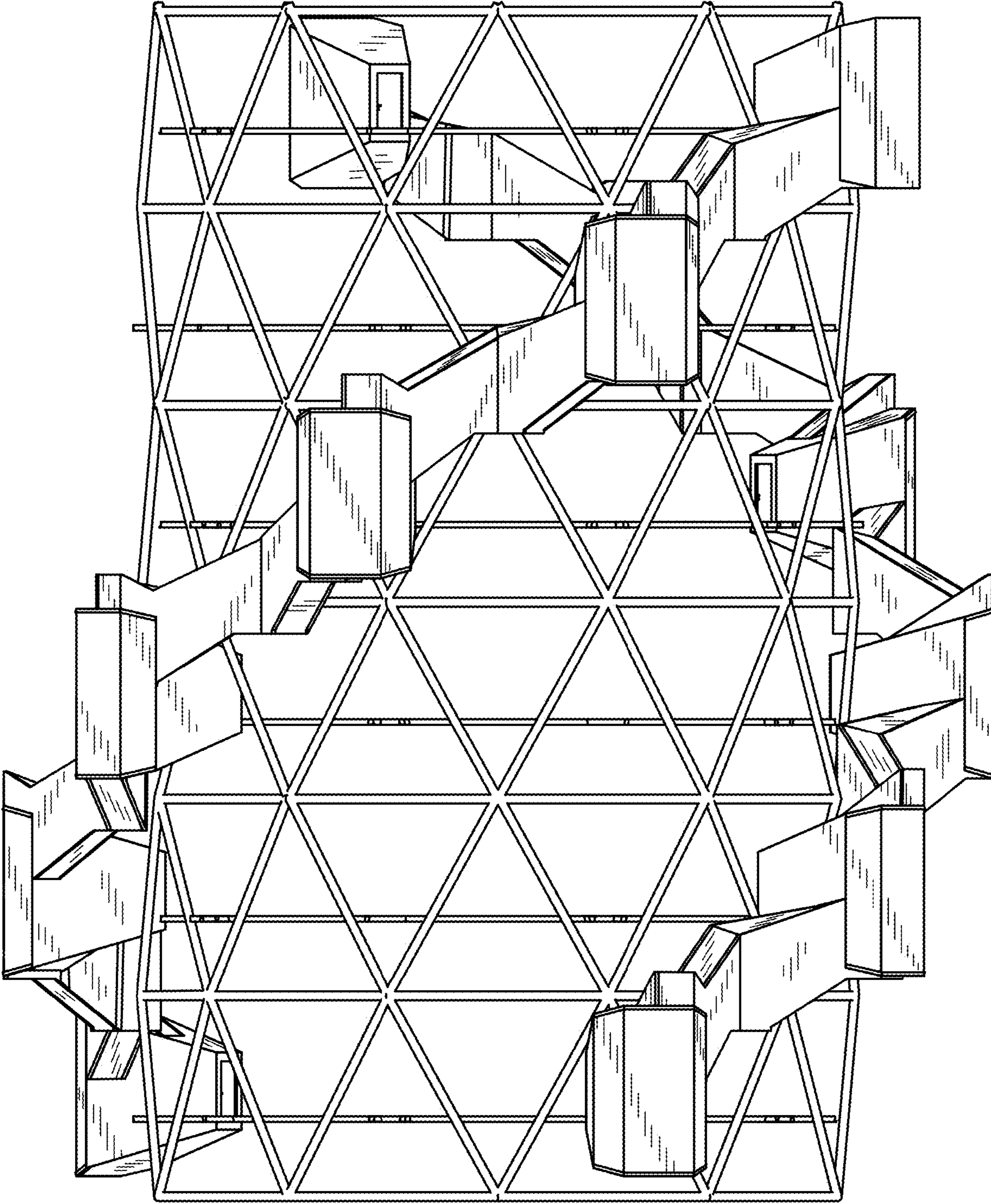


FIG. 5

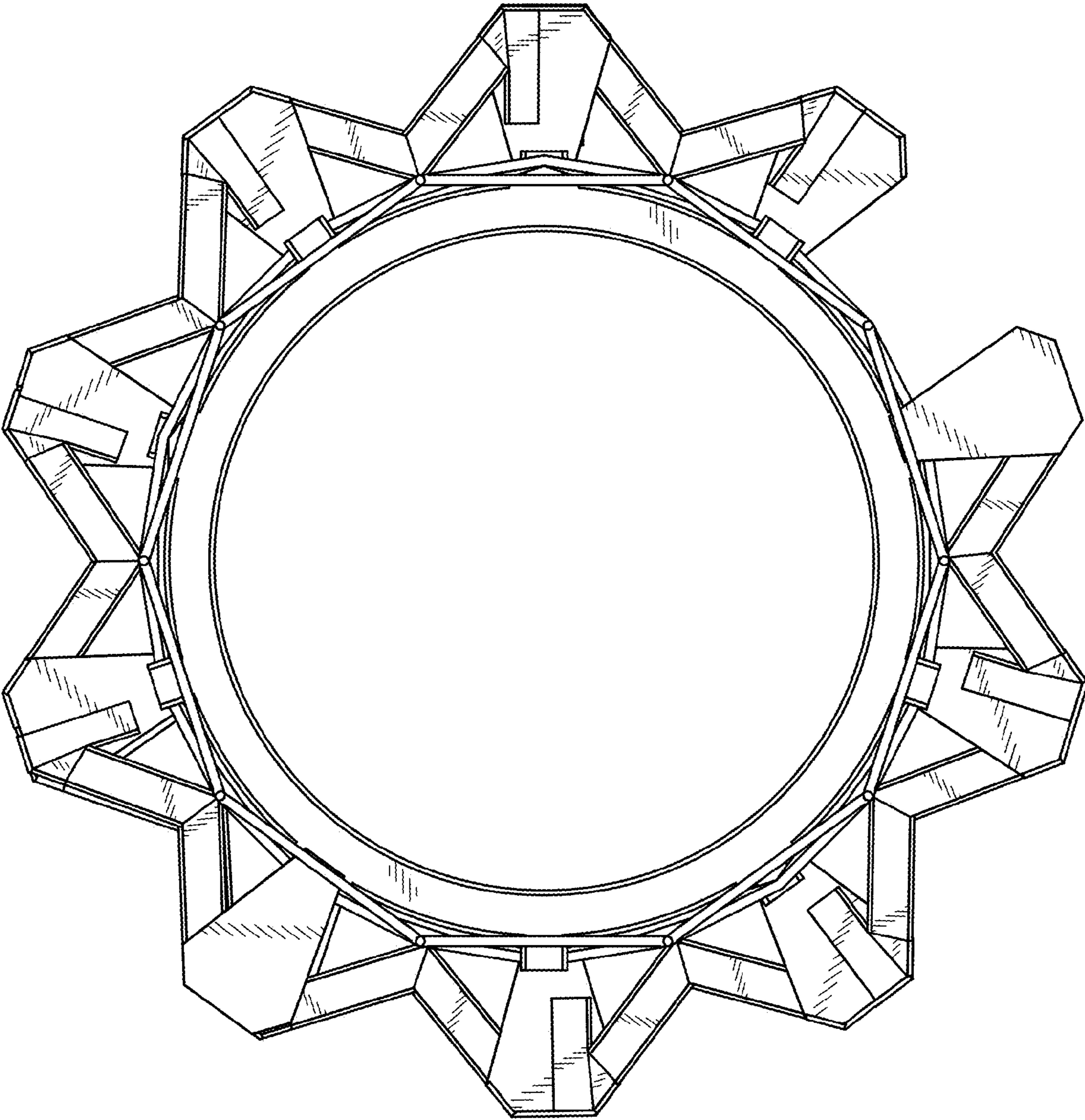


FIG. 6