

US00D965814S

(12) **United States Design Patent** (10) **Patent No.:** **US D965,814 S**
Lewis (45) **Date of Patent:** **** Oct. 4, 2022**

(54) **IMPLEMENT SANITIZING CONTAINER**

(71) Applicant: **Karyn Lewis**, Spring, TX (US)

(72) Inventor: **Karyn Lewis**, Spring, TX (US)

(**) Term: **15 Years**

(21) Appl. No.: **29/777,798**

(22) Filed: **Apr. 8, 2021**

(51) **LOC (13) Cl.** **24-01**

(52) **U.S. Cl.**
USPC **D24/217**

(58) **Field of Classification Search**
USPC D24/216, 217, 218, 219, 231, 232, 234,
D24/209, 210, 227; D32/1; D3/294
CPC A61L 2/26; A61L 2/24; A61L 2/07; A61L
2/08; A61L 2/18; A61L 2/25; A61L
2202/122; A61L 2202/11; A61L 2202/14;
A61L 2202/23; A61L 2202/24; A61L
2202/25

See application file for complete search history.

(56) **References Cited**

U.S. PATENT DOCUMENTS

3,966,408	A *	6/1976	Drennen	A61L 2/26	312/130
3,972,812	A	8/1976	Gresl, Jr.			
D317,570	S	6/1991	Kryk			
5,059,319	A	10/1991	Welsh			
5,372,787	A *	12/1994	Ritter	A61B 50/30	206/508
5,722,964	A	3/1998	Herweck			

5,824,126	A	10/1998	Chen			
5,855,774	A	1/1999	Boelter			
D421,309	S *	2/2000	Riley	D24/217	
6,263,781	B1	7/2001	Calagui			
6,280,429	B1	8/2001	Lewis			
D487,315	S *	3/2004	Picot	D24/217	
D658,777	S *	5/2012	Sweet, II	D24/217	
D668,348	S *	10/2012	Murphy	D24/217	
D716,964	S *	11/2014	Amor	D24/217	
D848,635	S *	5/2019	Davis	D24/217	
D907,233	S *	1/2021	Wu	D24/217	
2017/0172397	A1 *	6/2017	Zardini	A61B 1/125	
2020/0324008	A1 *	10/2020	Boira Bonhora	A61L 2/007	
2022/0088236	A1 *	3/2022	Birnie	A61L 2/10	
2022/0168456	A1 *	6/2022	Jones	A61L 2/26	

* cited by examiner

Primary Examiner — Anhdao Doan

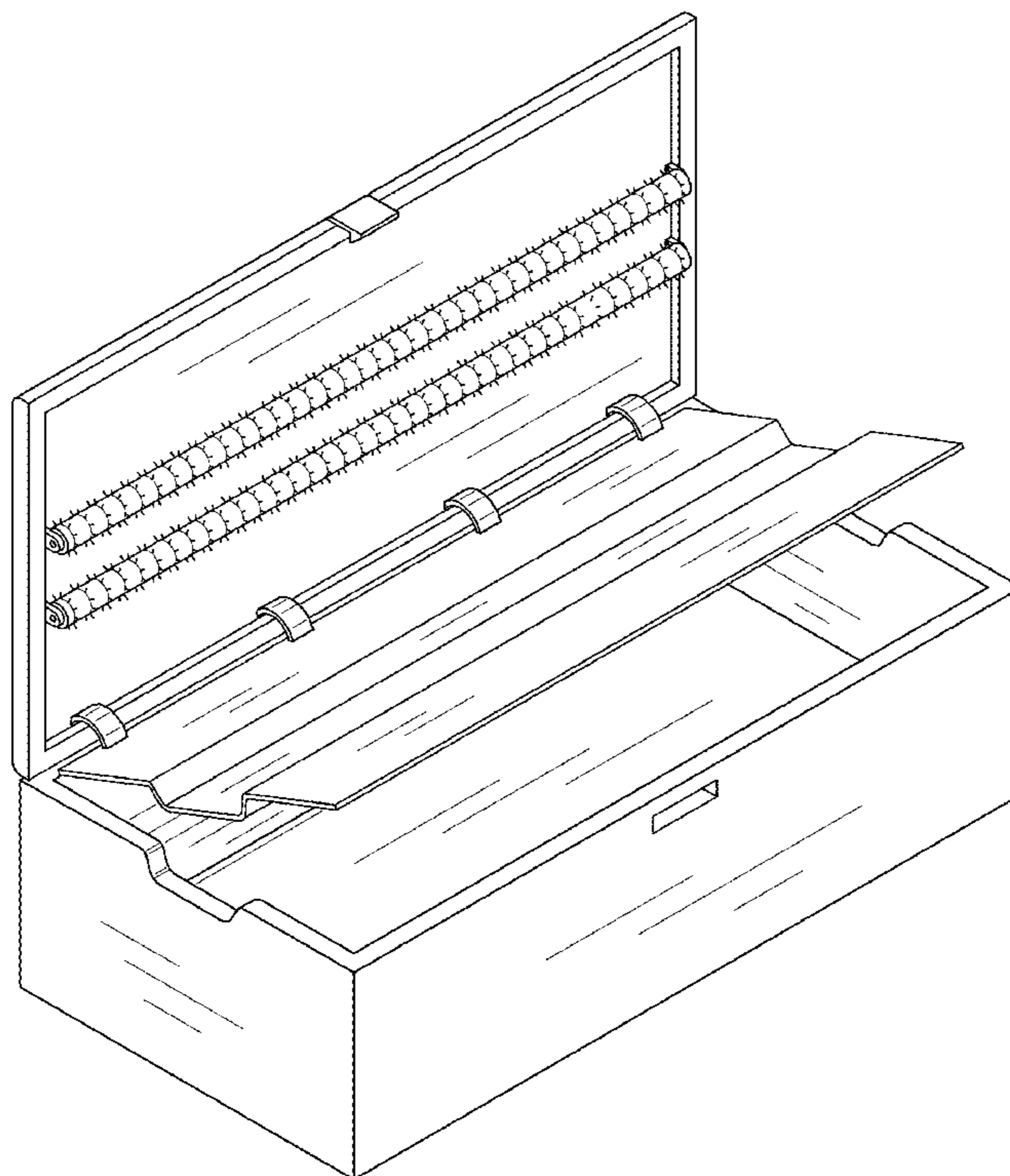
(57) **CLAIM**

The ornamental design for a implement sanitizing container, as shown and described.

DESCRIPTION

FIG. 1 is a top front side perspective view of an implement sanitizing container showing my new design; FIG. 2 is a front view of the implement sanitizing container; FIG. 3 is a rear view of the implement sanitizing container; FIG. 4 is a left side view of the implement sanitizing container, a right side view being a mirror image thereof; FIG. 5 is a top view of the implement sanitizing container; and, FIG. 6 is a bottom view of the implement sanitizing container.

1 Claim, 4 Drawing Sheets



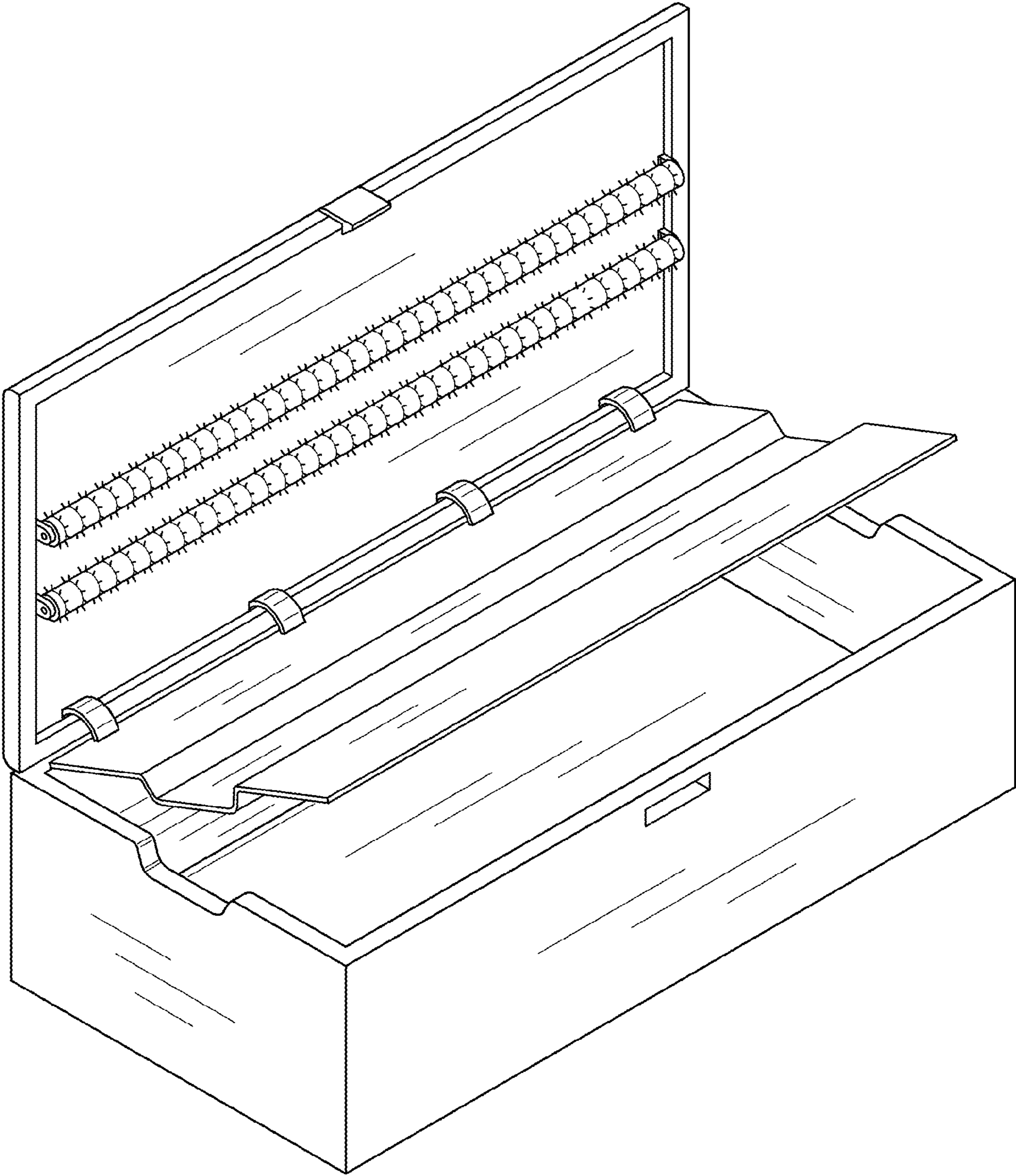


FIG. 1

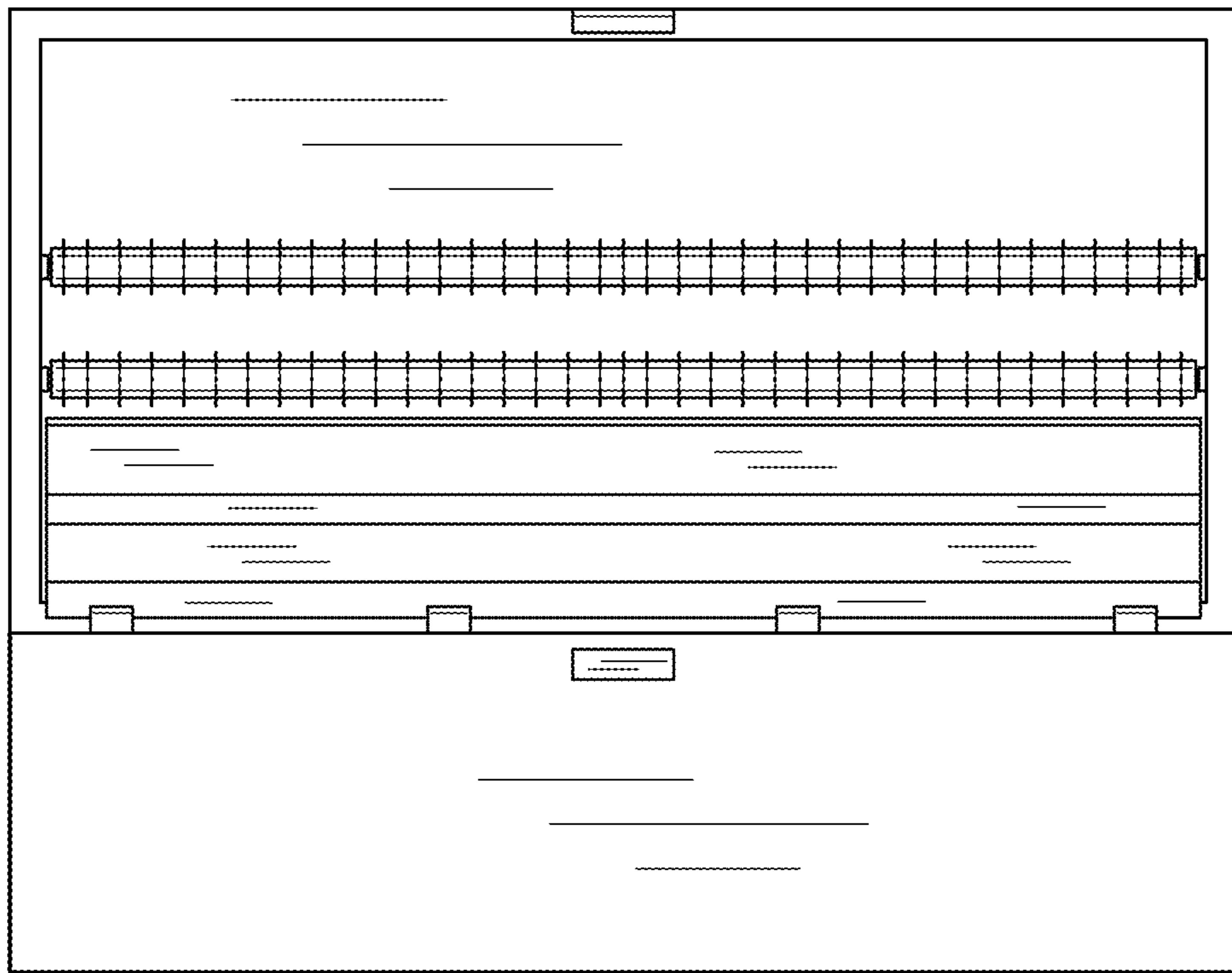


FIG. 2

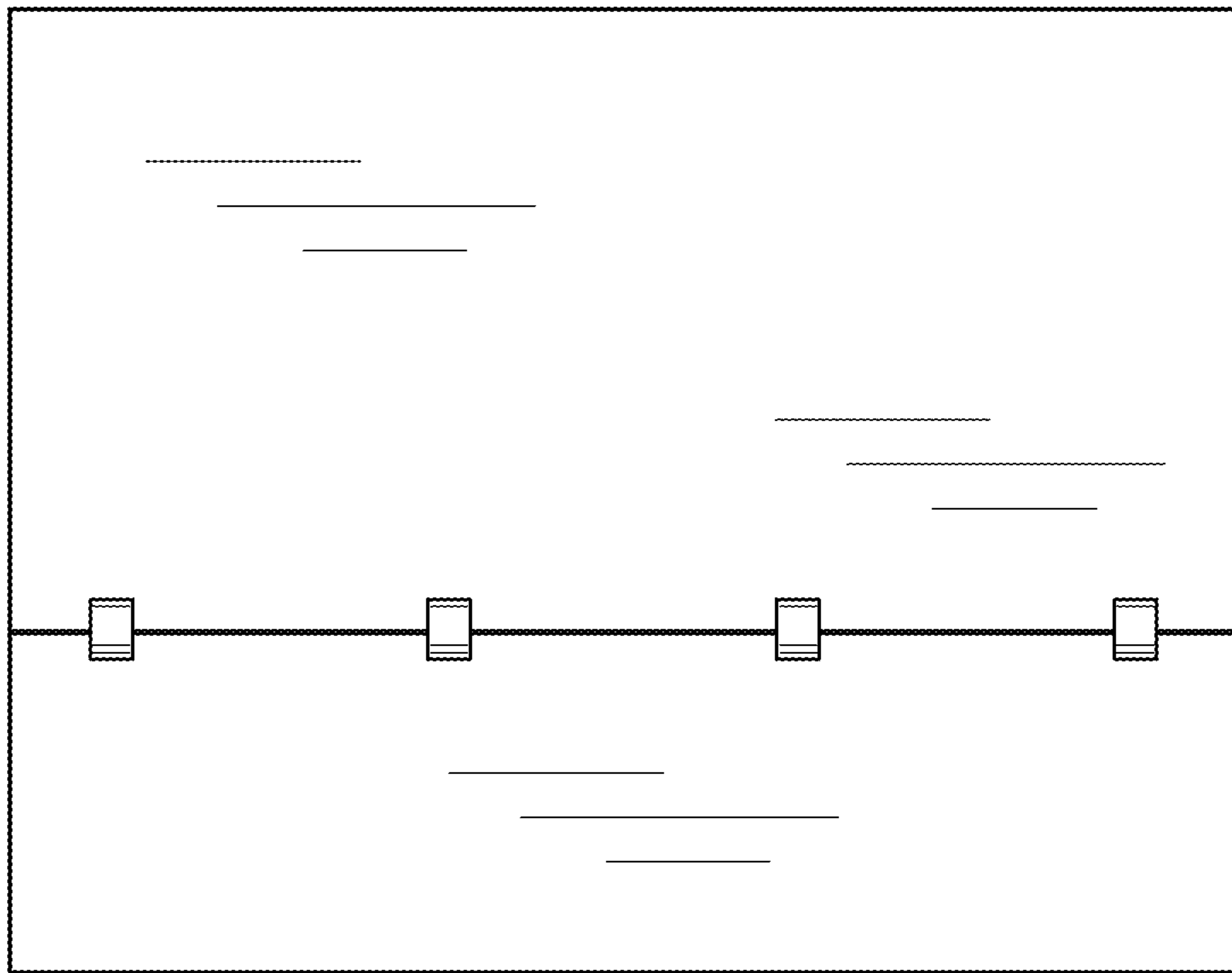


FIG. 3

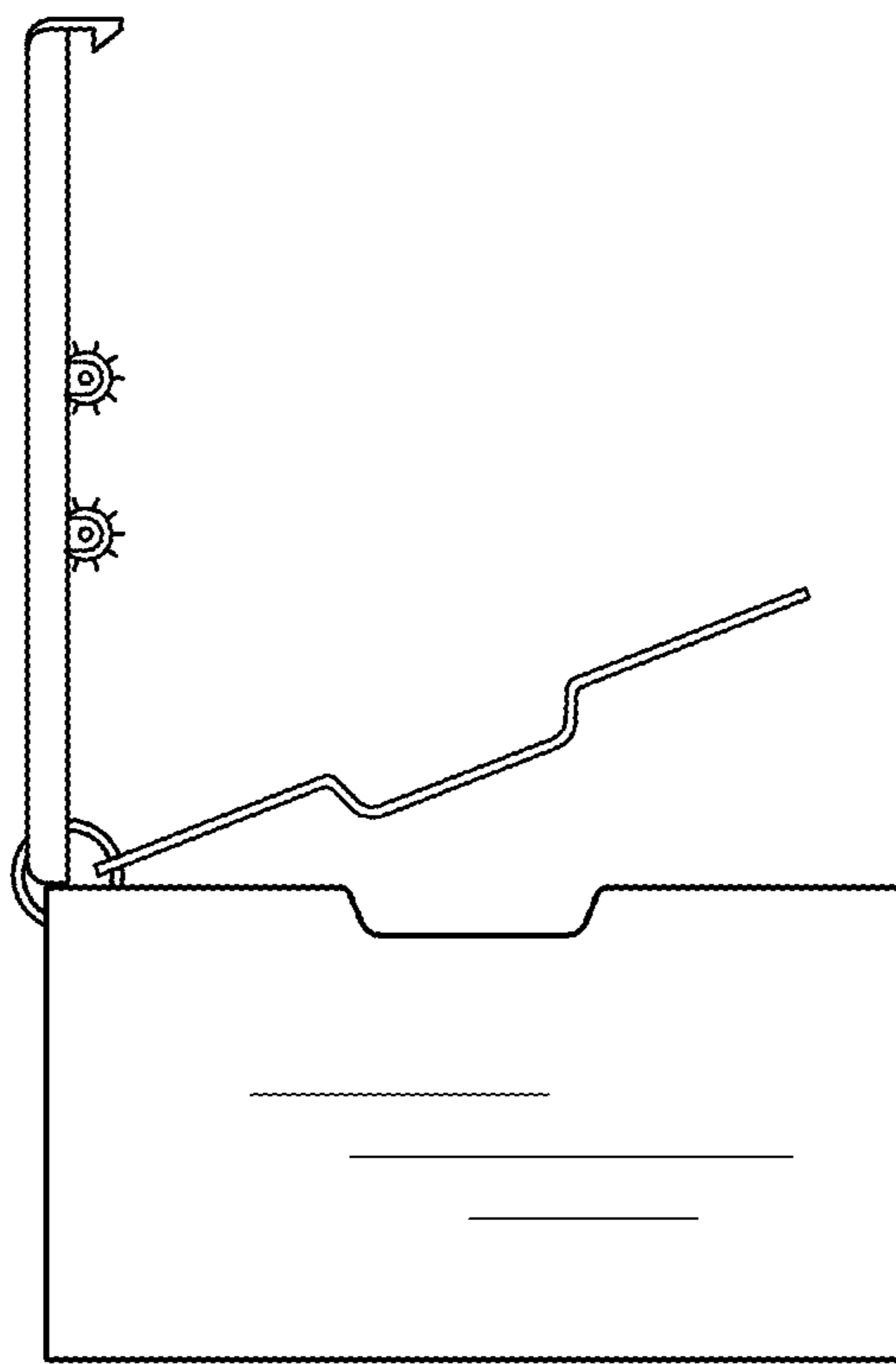


FIG. 4

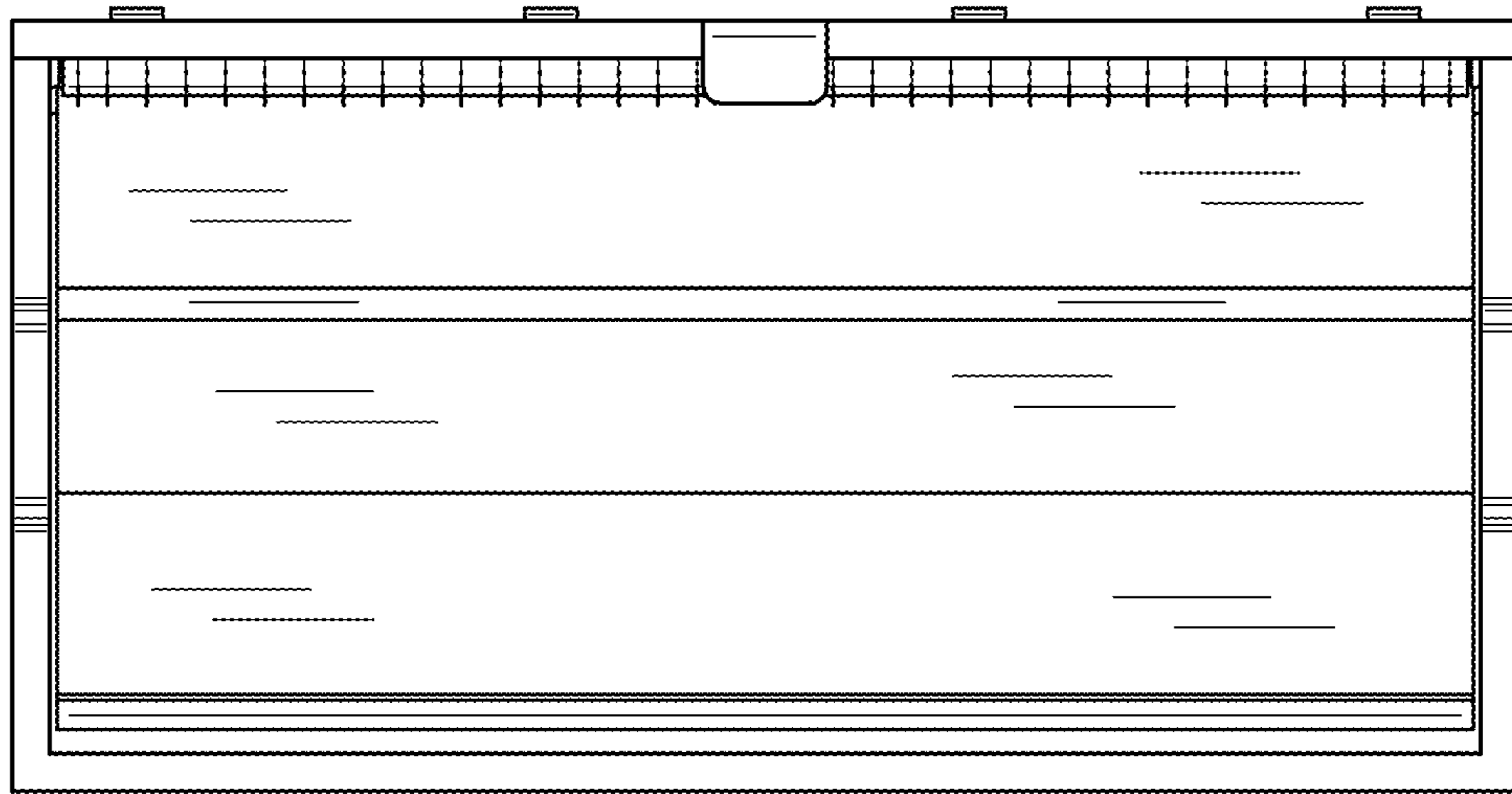


FIG. 5

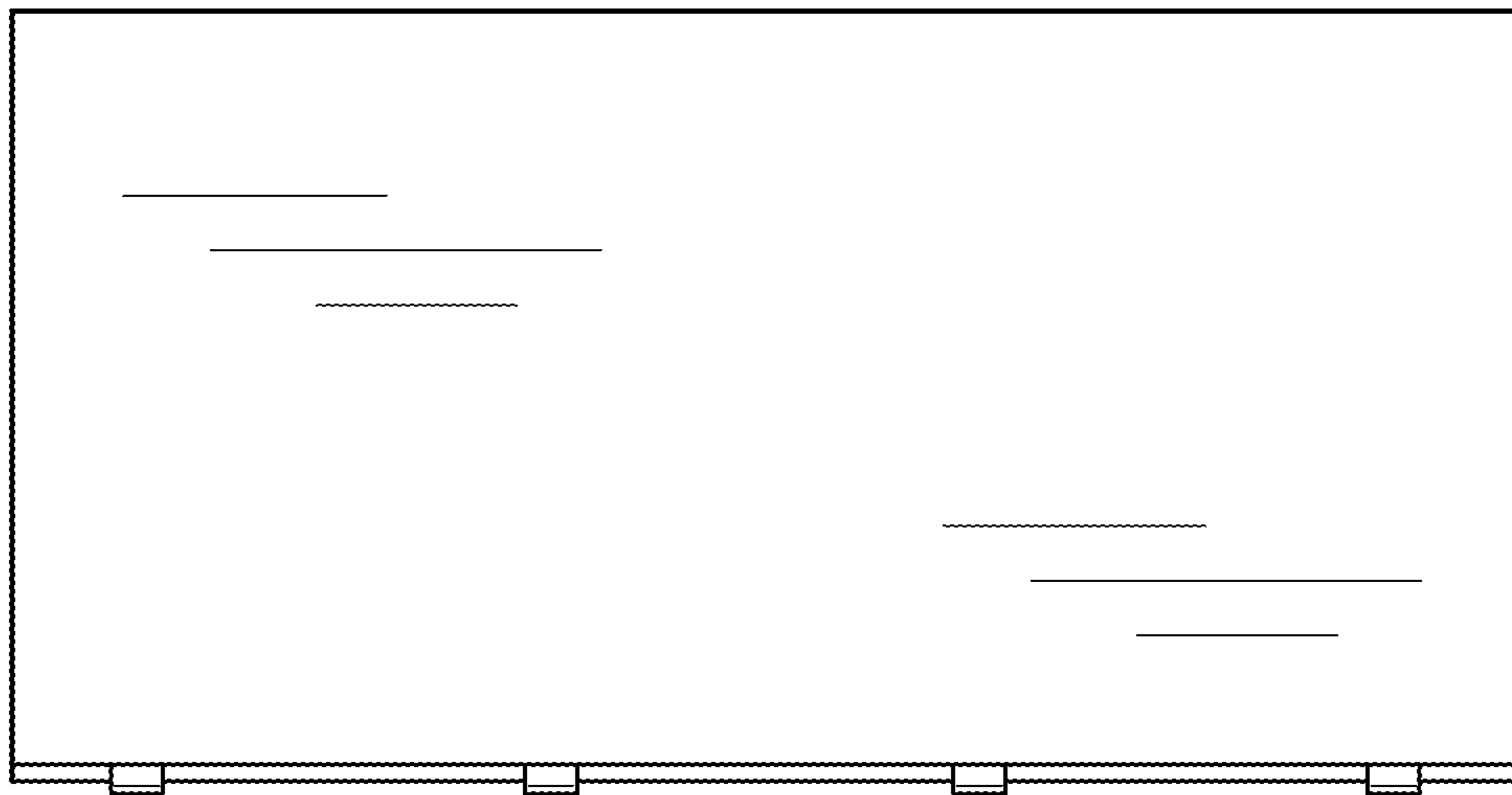


FIG. 6