



US00D965809S

(12) **United States Design Patent** (10) **Patent No.:** **US D965,809 S**
Jakubow (45) **Date of Patent:** **** Oct. 4, 2022**

- (54) **COMBINED LEGS AND BODY VIBRATION MASSAGE APPARATUS**
- (71) Applicant: **Rafael Jakubow**, North Miami, FL (US)
- (72) Inventor: **Rafael Jakubow**, North Miami, FL (US)
- (**) Term: **15 Years**
- (21) Appl. No.: **29/742,032**
- (22) Filed: **Sep. 30, 2019**
- (51) **LOC (13) Cl.** **28-03**
- (52) **U.S. Cl.**
USPC **D24/215**
- (58) **Field of Classification Search**
USPC D24/188, 189, 190, 200, 211, 212, 213, D24/214, 215; D30/160
CPC A61H 15/00; A61H 2015/0014
See application file for complete search history.

(56) **References Cited**

U.S. PATENT DOCUMENTS

D359,359 S *	6/1995	Robertson	D24/211
D359,360 S *	6/1995	Ivy	D24/211
D516,218 S *	2/2006	Larocca	D24/190
D530,427 S *	10/2006	LaRocca	D24/190
D688,380 S *	8/2013	Nelson	D24/211
D818,139 S *	5/2018	Marshall	D24/211
D830,567 S *	10/2018	Ashley	D24/214
D833,634 S *	11/2018	Kramer	D24/211
D872,868 S *	1/2020	Razumovskyi	D24/211
D873,431 S *	1/2020	Ashley	D24/214
D881,401 S *	4/2020	Burns	D24/188

D884,204 S *	5/2020	Kramer	D24/211
D891,631 S *	7/2020	Liu	D24/211
D914,902 S *	3/2021	Steven	D24/211
2002/0022794 A1 *	2/2002	Beck	A61N 1/30 604/20
2011/0137218 A1 *	6/2011	Collins	A61H 15/00 601/118
2016/0296415 A1 *	10/2016	Cross	A61H 15/0092

* cited by examiner

Primary Examiner — Michael A Maharajh
(74) *Attorney, Agent, or Firm* — Frank L. Kubler

(57) **CLAIM**

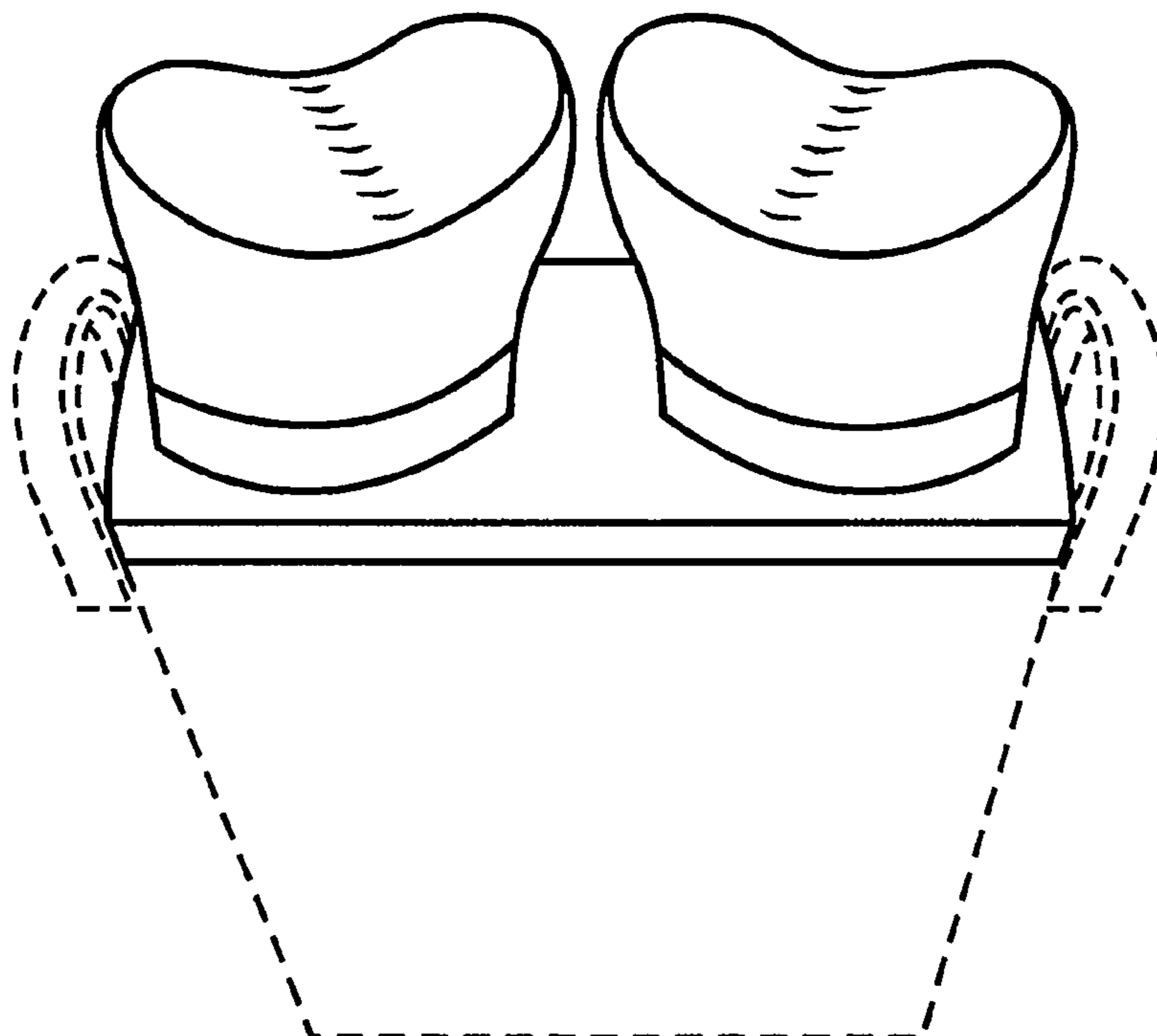
The ornamental design for a combined legs and body vibrator massage apparatus, as shown and described.

DESCRIPTION

FIG. 1 is an isometric front view of a combined legs and body vibrator massage apparatus according to my new design;
 FIG. 2 is an isometric first side view thereof;
 FIG. 3 is a top view thereof;
 FIG. 4 is a front view thereof;
 FIG. 5 is a rear view thereof;
 FIG. 6 is side view thereof;
 FIG. 7 is another side view thereof;
 FIG. 8 is another side view of FIG. 7, shown without the handles thereof; and,
 FIG. 9 is another side view of FIG. 6, shown without the handles thereof.

Features shown in broken lines in the drawings illustrate a box-like base with opposing handles supporting the claimed subject matter, which are environmental structure and form no part of the claimed subject matter.

1 Claim, 9 Drawing Sheets



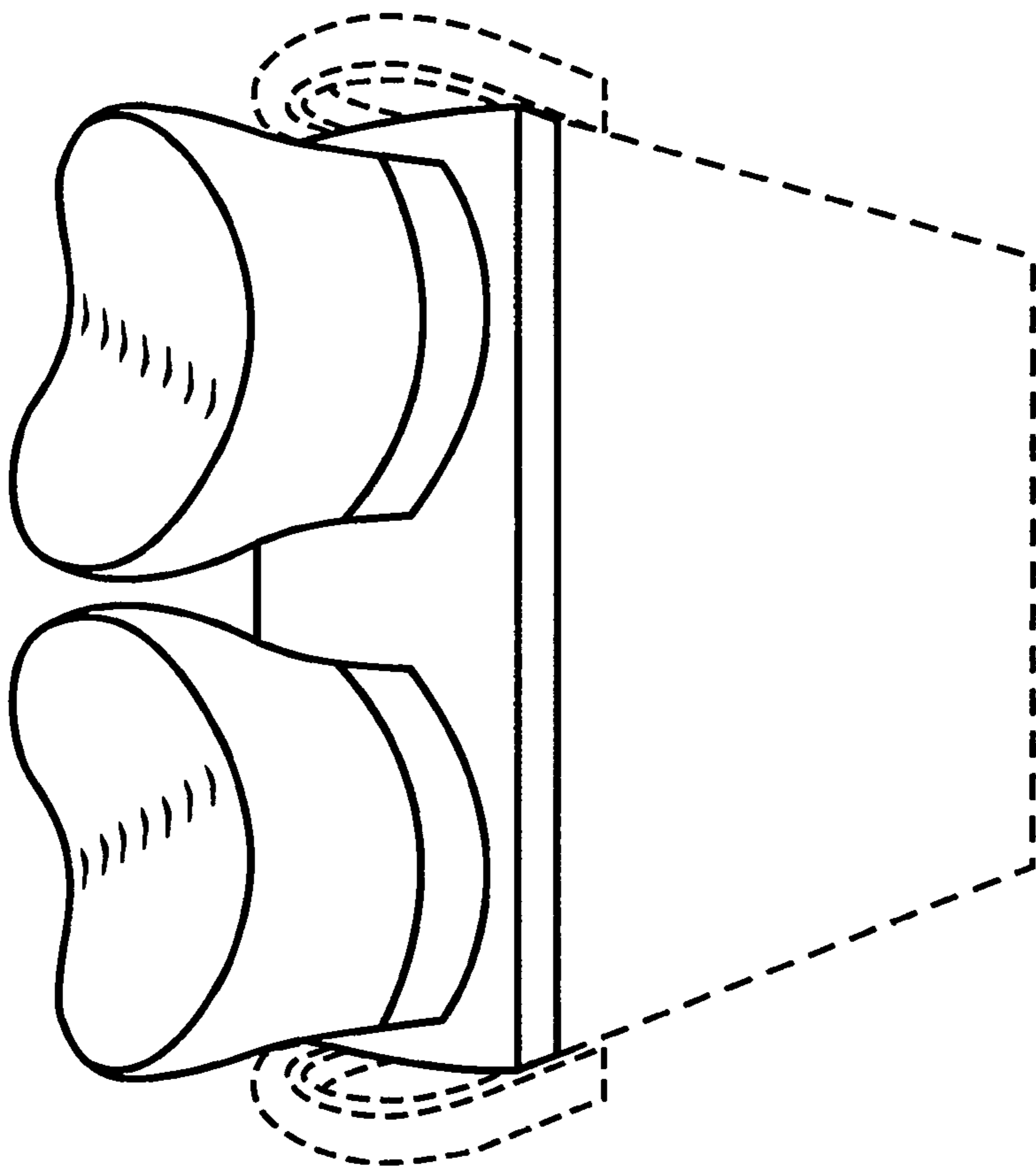


Fig. 1

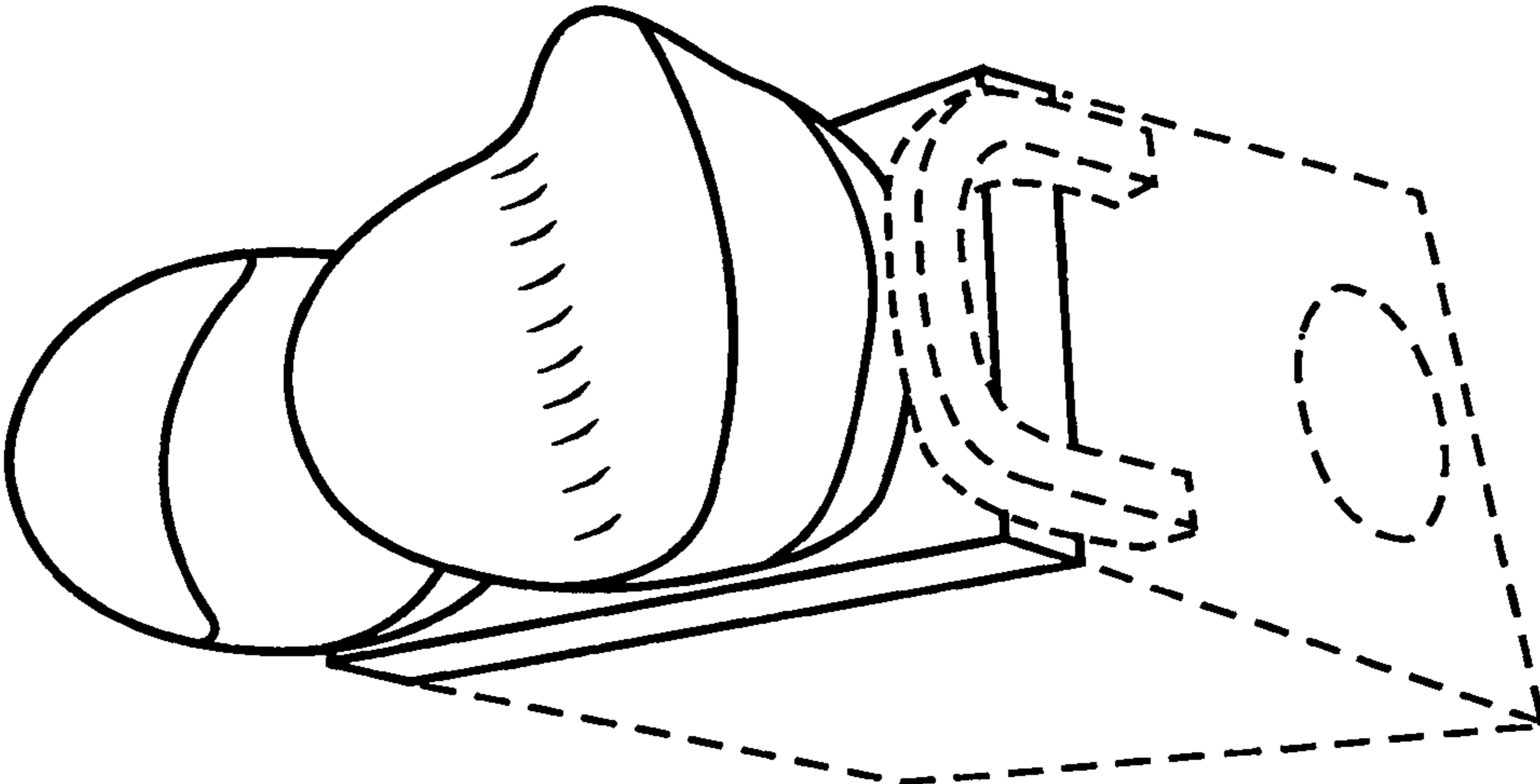


Fig. 2

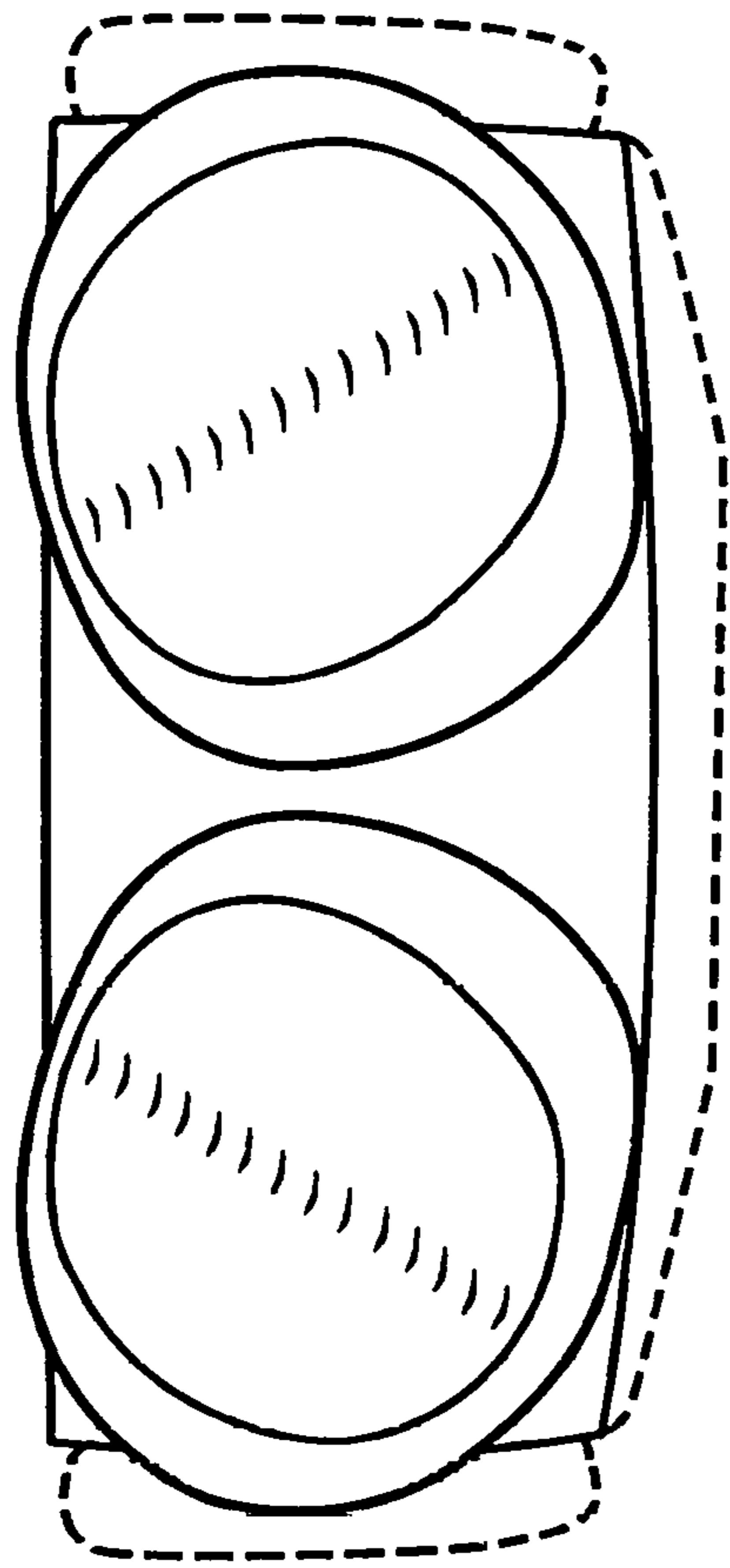


Fig. 3

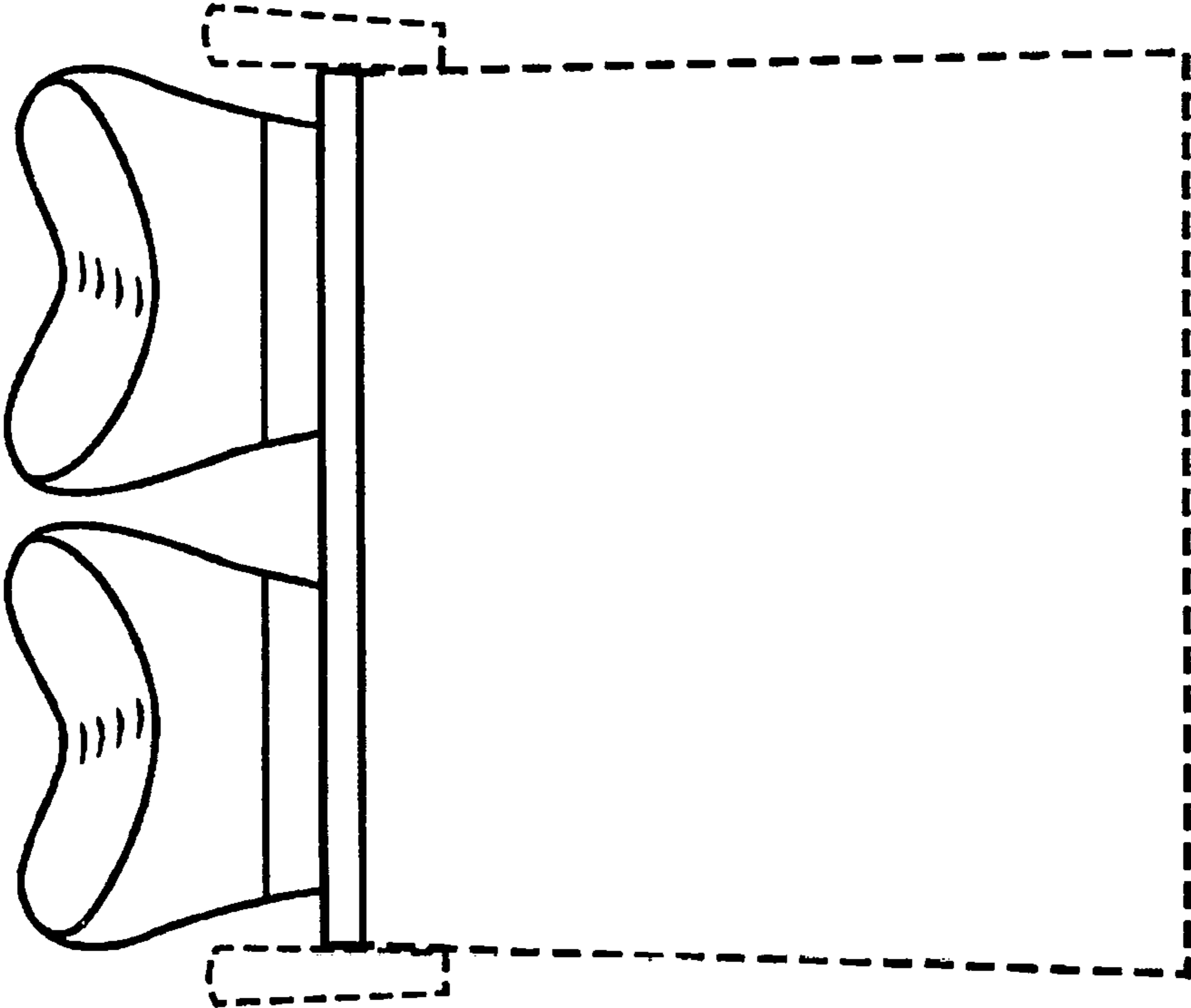


Fig. 4

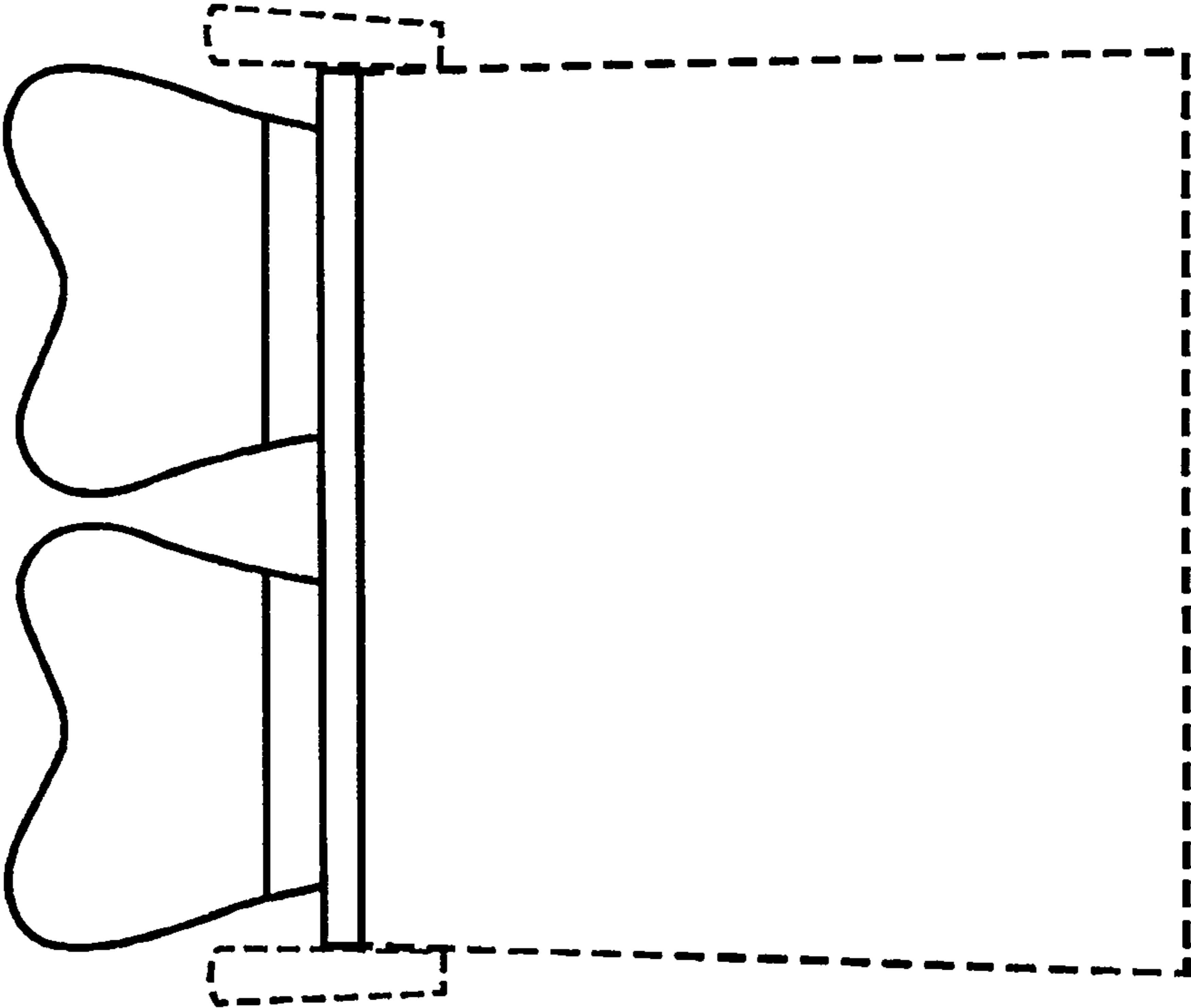


Fig. 5

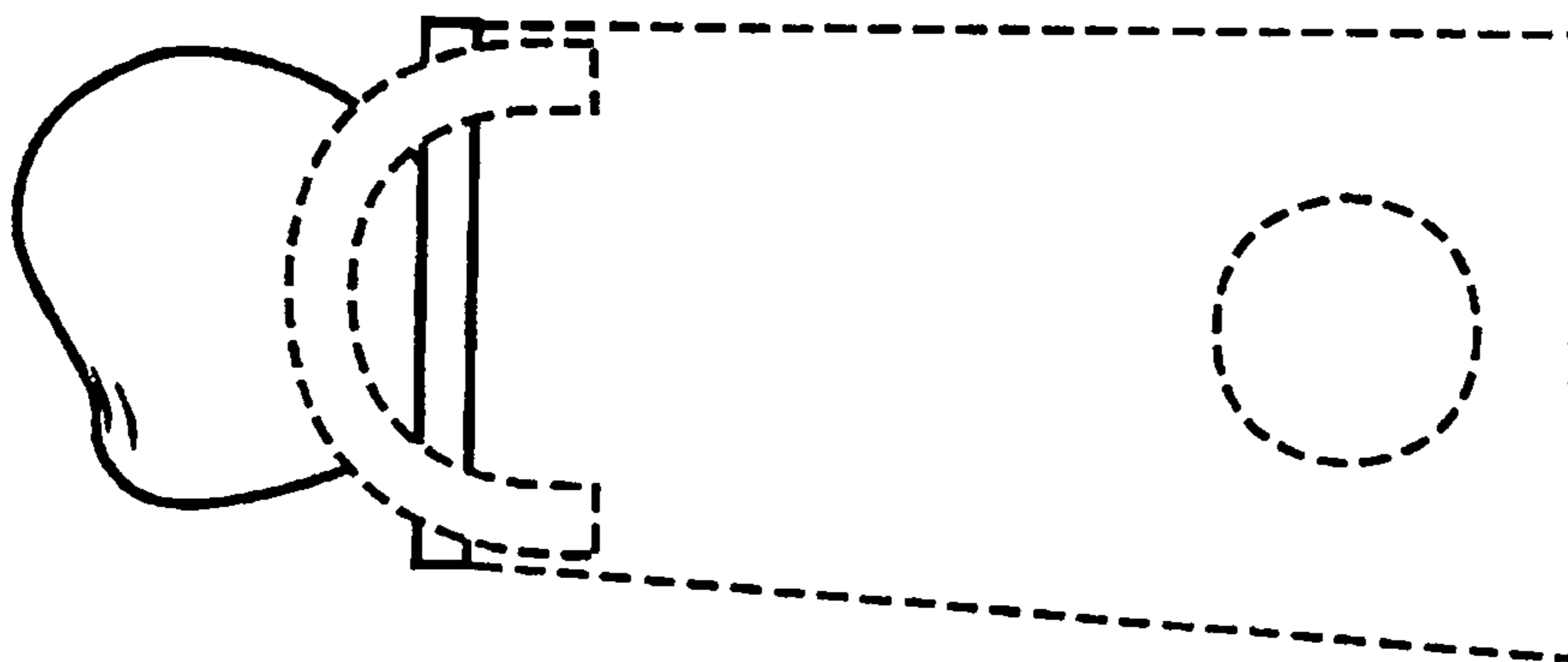


Fig. 6

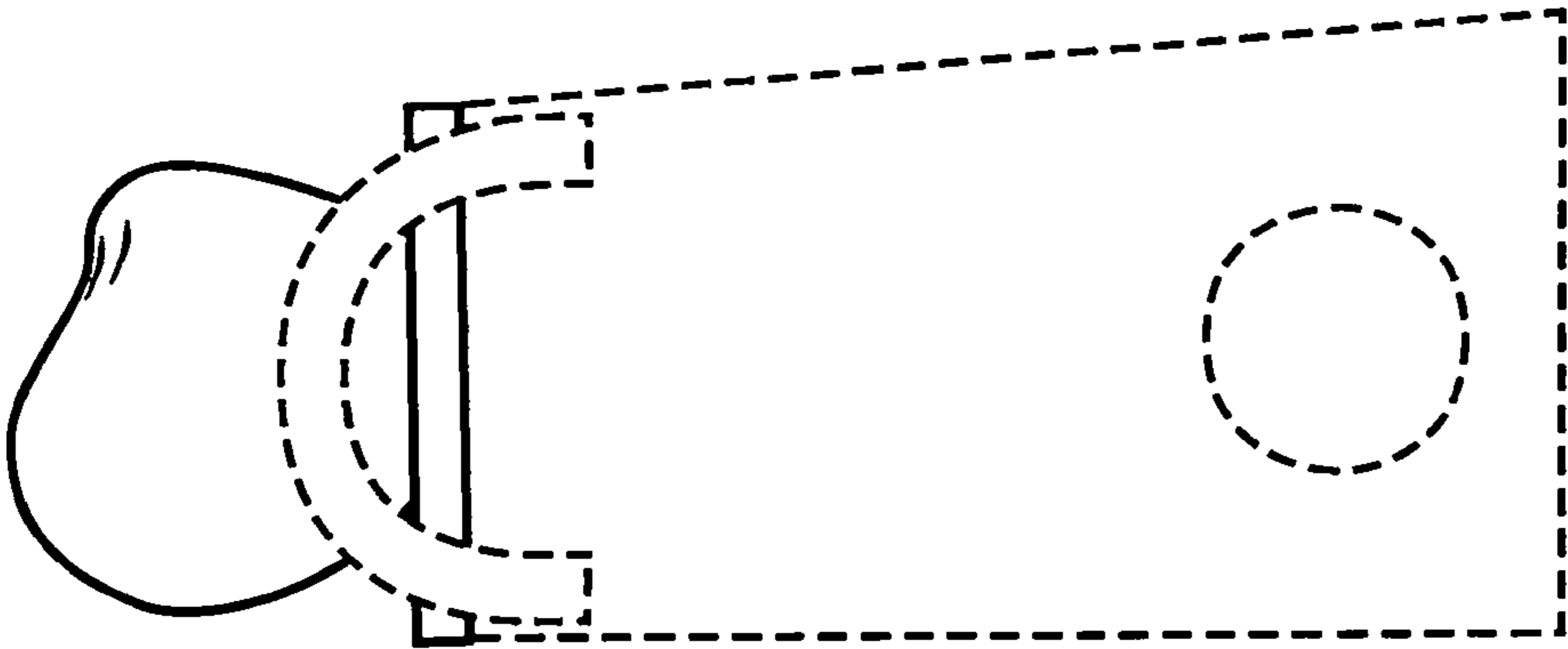


Fig. 7

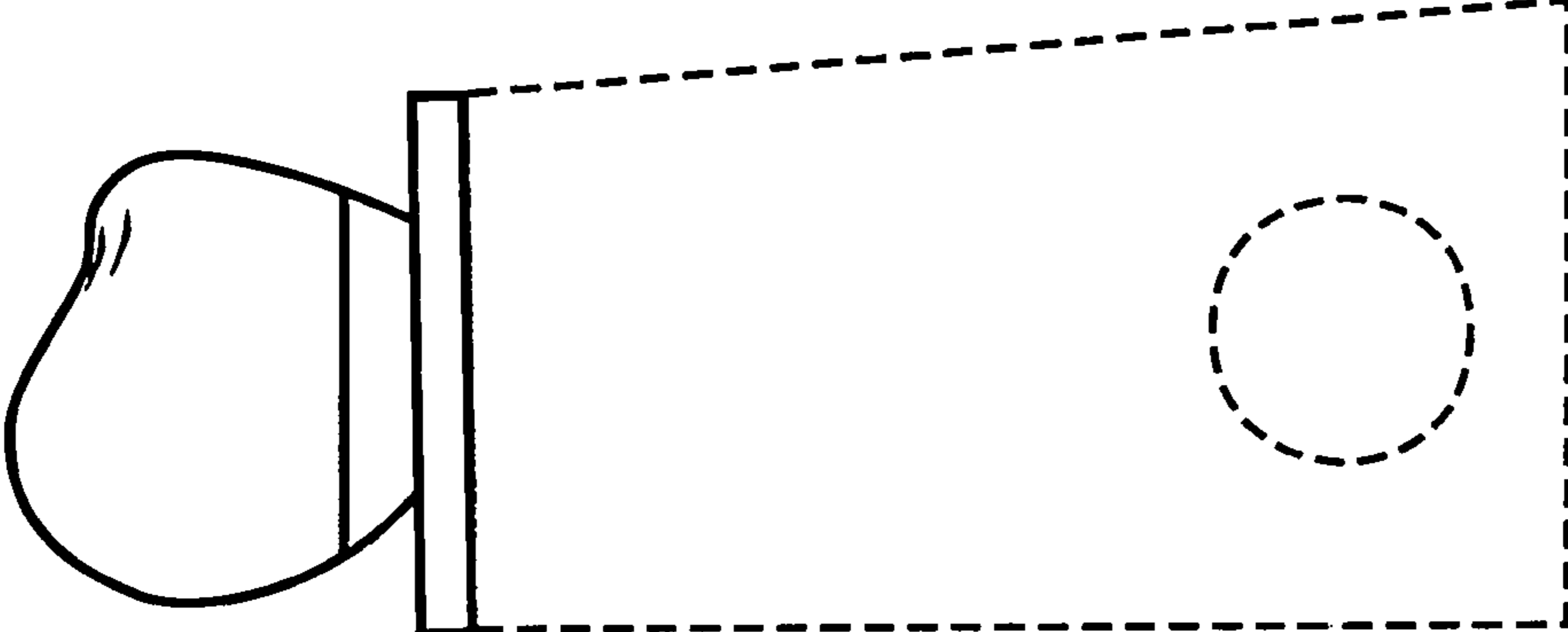


Fig. 8

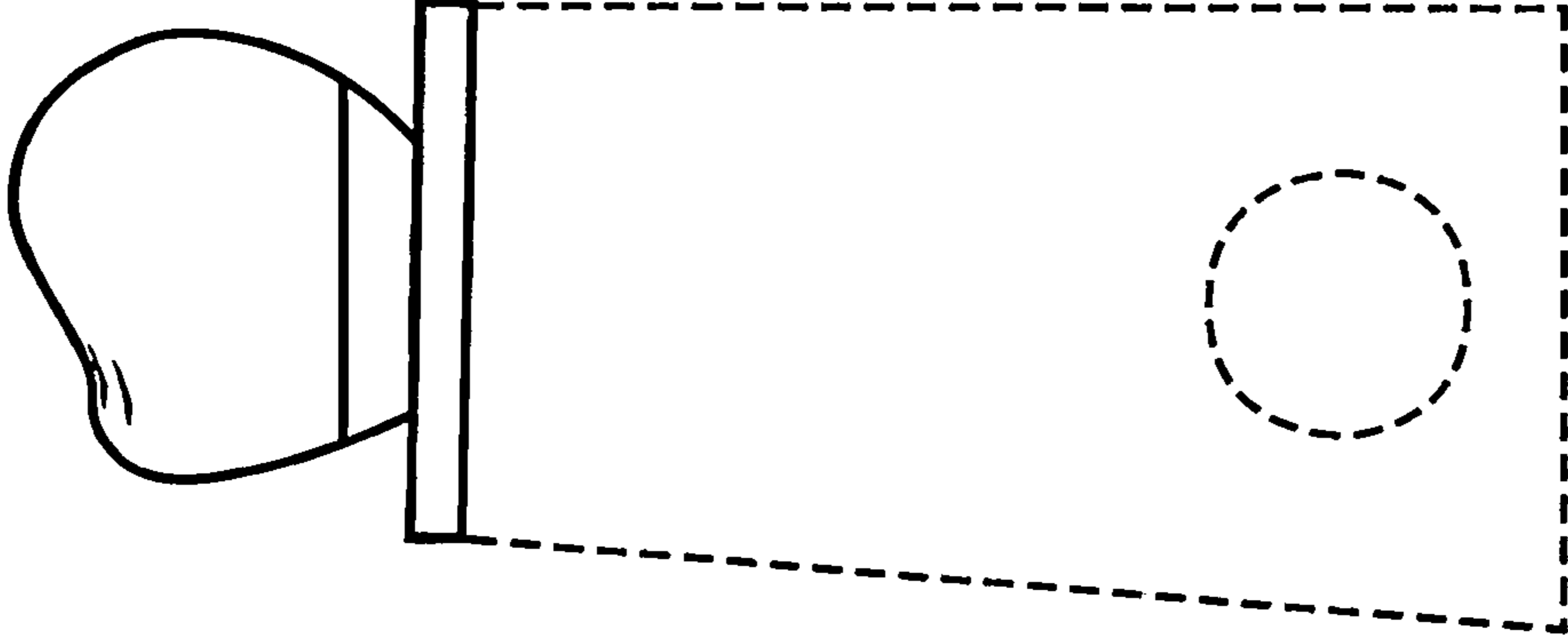


Fig. 9