



US00D965808S

(12) **United States Design Patent** (10) **Patent No.:** **US D965,808 S**  
**Jiang et al.** (45) **Date of Patent:** **\*\* Oct. 4, 2022**

- (54) **BODY MASSAGER**
- (71) Applicant: **LifePro Fitness LLC**, Staten Island, NY (US)
- (72) Inventors: **Zhibo Jiang**, Nanjing (CN); **Jun Zhao**, Nanjing (CN)
- (73) Assignee: **LIFEPRO FITNESS LLC**, Staten Island, NY (US)
- (\*\*) Term: **15 Years**
- (21) Appl. No.: **29/737,428**
- (22) Filed: **Jun. 9, 2020**
- (51) **LOC (13) Cl.** ..... **28-03**
- (52) **U.S. Cl.**  
USPC ..... **D24/215**
- (58) **Field of Classification Search**  
USPC ..... D24/215, 200, 211, 212, 213, 214, 133, D24/188, 107, 231; D8/14.1; D28/13  
CPC ..... A61H 9/00; A61H 9/005; A61H 9/0007; A61H 15/00; A61H 2015/0007; A61H 2015/0042; A61H 23/00; A61H 23/006; A61H 2023/002; A61H 2201/0153; A61H 2201/0157; A61H 7/004; A61H 1/00  
See application file for complete search history.

- D880,716 S \* 4/2020 Wersland ..... D24/215
- D884,205 S \* 5/2020 Zhuang ..... D24/215
- D884,207 S \* 5/2020 Ma ..... D24/215
- D884,915 S \* 5/2020 Wersland ..... D24/215
- D923,190 S \* 6/2021 Xu ..... D24/214

**OTHER PUBLICATIONS**

LifePro Dynaflex Percussive Massage Gun. Date: Not listed, [online]. [Site visited Sep. 20, 2021]. Available from Internet URL: <https://stacksocial.com/sales/dynaflex-massage-gun> (Year: NA).\*

Theragun Elite—Massage Gun. Date: May 3, 2020. [online]. [Site visited Sep. 20, 2021]. Available from Internet URL: <https://www.amazon.co.uk/dp/B086Z6XSW4/?th=1> (Year: 2020).\*

(Continued)

*Primary Examiner* — Susan Bennett Hattan  
*Assistant Examiner* — Landon Thomas Cassell  
 (74) *Attorney, Agent, or Firm* — Ostrolenk Faber LLP

(57) **CLAIM**

The ornamental design for a body massager, as shown and described.

**DESCRIPTION**

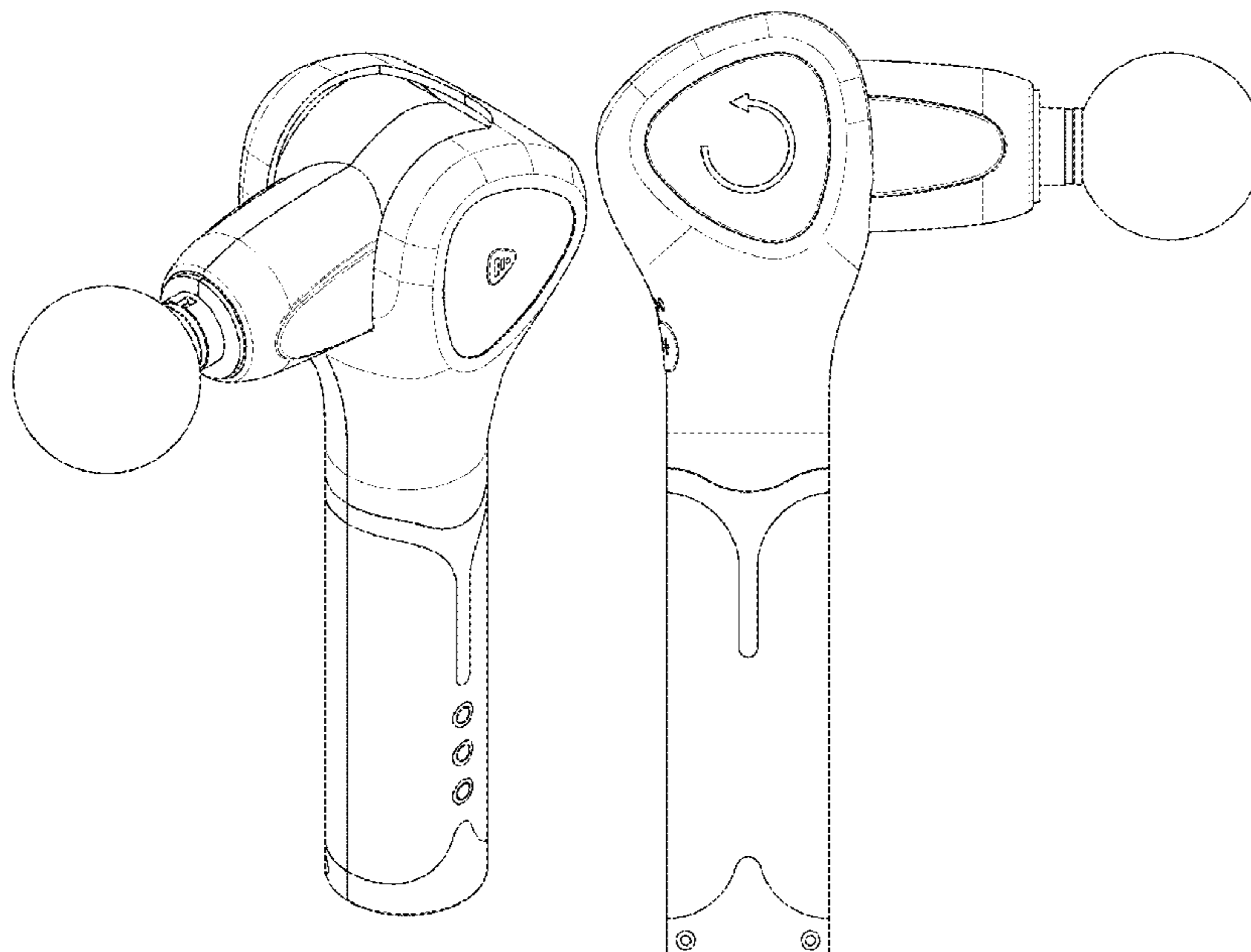
FIG. 1 is a first perspective view of a body massager showing our new design;  
 FIG. 2 is a second perspective view of a body massager showing our new design;  
 FIG. 3 is a third perspective view of a body massager showing our new design;  
 FIG. 4 is a fourth perspective view of a body massager showing our new design;  
 FIG. 5 is a left side elevational view thereof;  
 FIG. 6 is a right side elevational view thereof;  
 FIG. 7 is a front elevational view thereof;  
 FIG. 8 is a rear elevational view thereof;  
 FIG. 9 is a top plan view thereof; and,  
 FIG. 10 is a bottom plan view thereof.

**1 Claim, 9 Drawing Sheets**

(56) **References Cited**

**U.S. PATENT DOCUMENTS**

- D290,528 S \* 6/1987 Muller ..... D28/13
- D353,224 S \* 12/1994 Rizzuto, Jr. .... D28/13
- D369,434 S \* 4/1996 LeCompte, Sr. .... D28/13
- D606,247 S \* 12/2009 Yu ..... D28/13
- D729,979 S \* 5/2015 Gammack ..... D28/13
- D782,732 S \* 3/2017 Smith ..... D28/13
- D872,869 S \* 1/2020 Lu ..... D24/215
- D877,351 S \* 3/2020 Wersland ..... D24/215



(56)

**References Cited**

OTHER PUBLICATIONS

Massage guns. (Design—© Questel) orbit.com. [Online PDF compilation of references] 23 pgs. Print Dates Range Feb. 15, 2019-May 22, 2020 [Retrieved Sep. 20, 2021] <https://www.orbit.com/export/UCZAH96B/pdf4/91cc33a-57b5-4c02-a510-2e3668ded075-203654.pdf> (Year: 2021).\*

\* cited by examiner

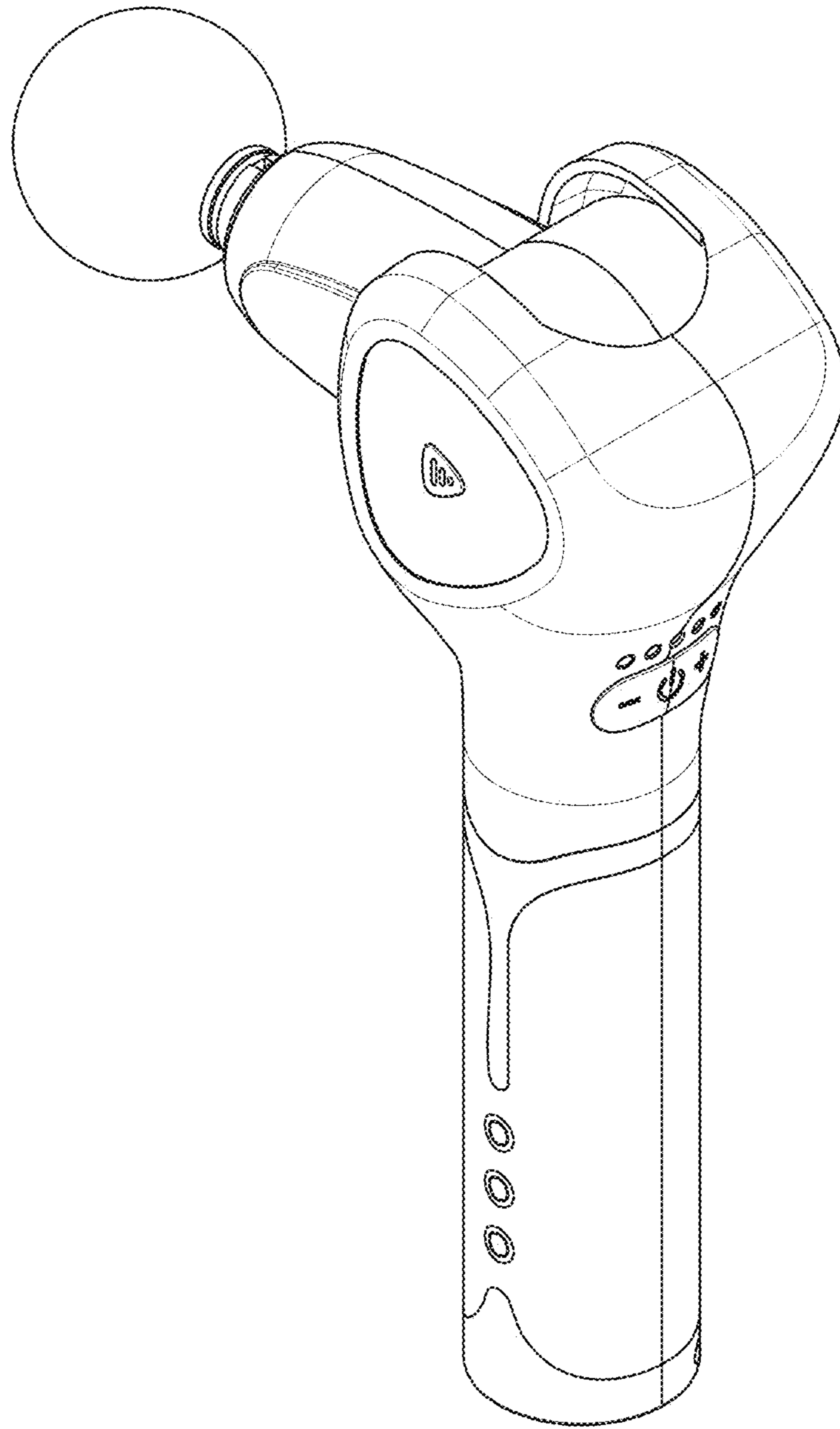


FIG. 1

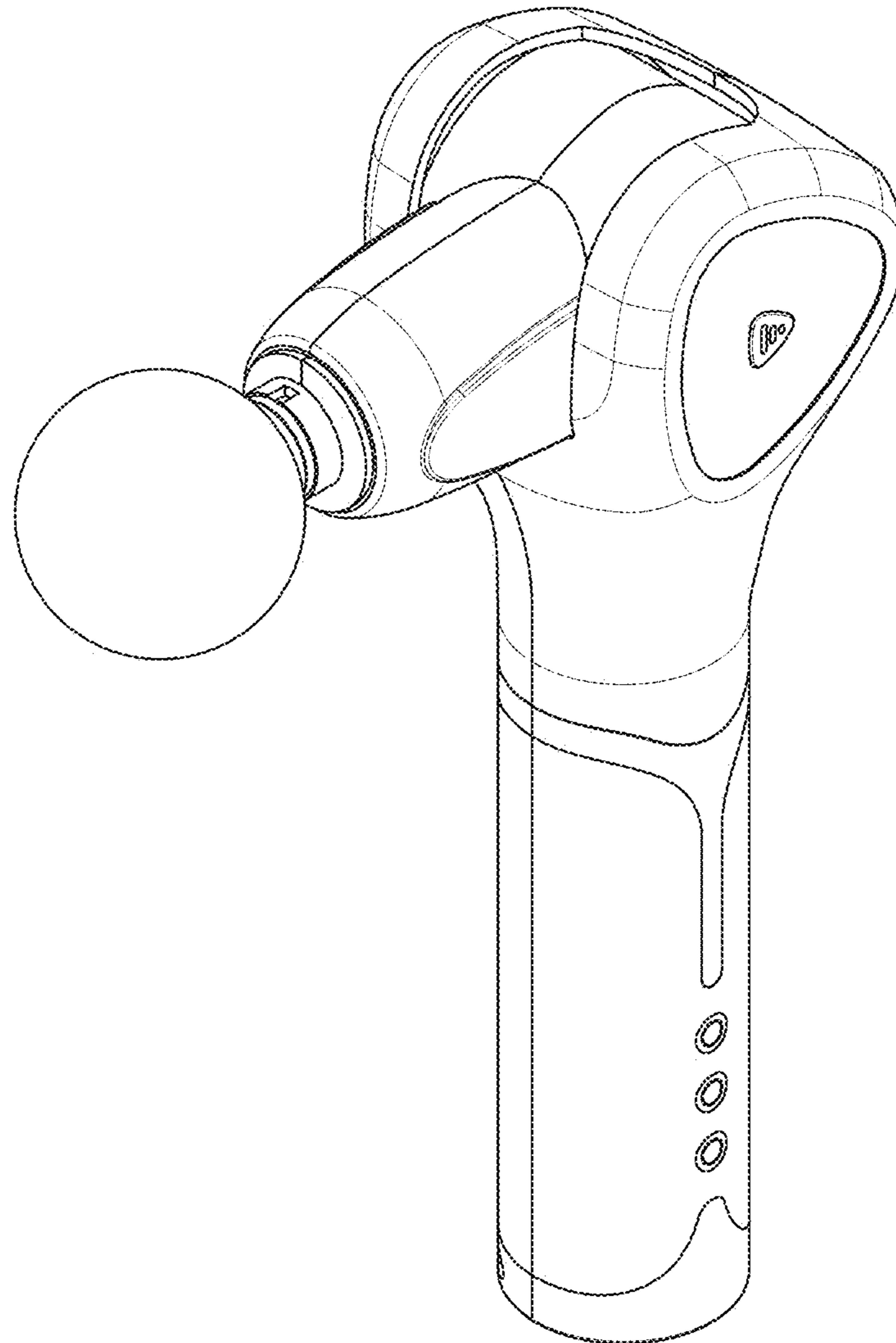


FIG. 2

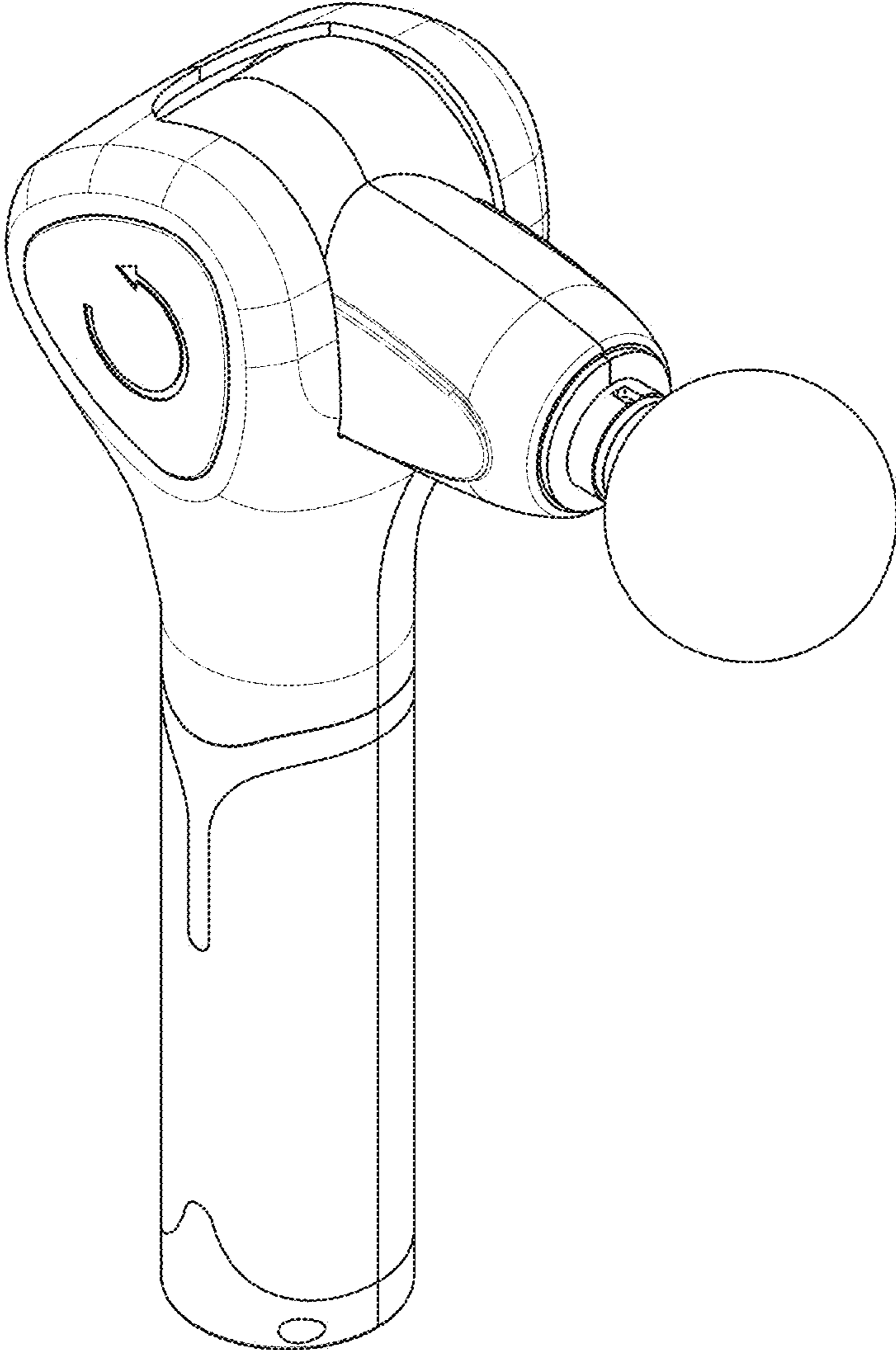


FIG. 3

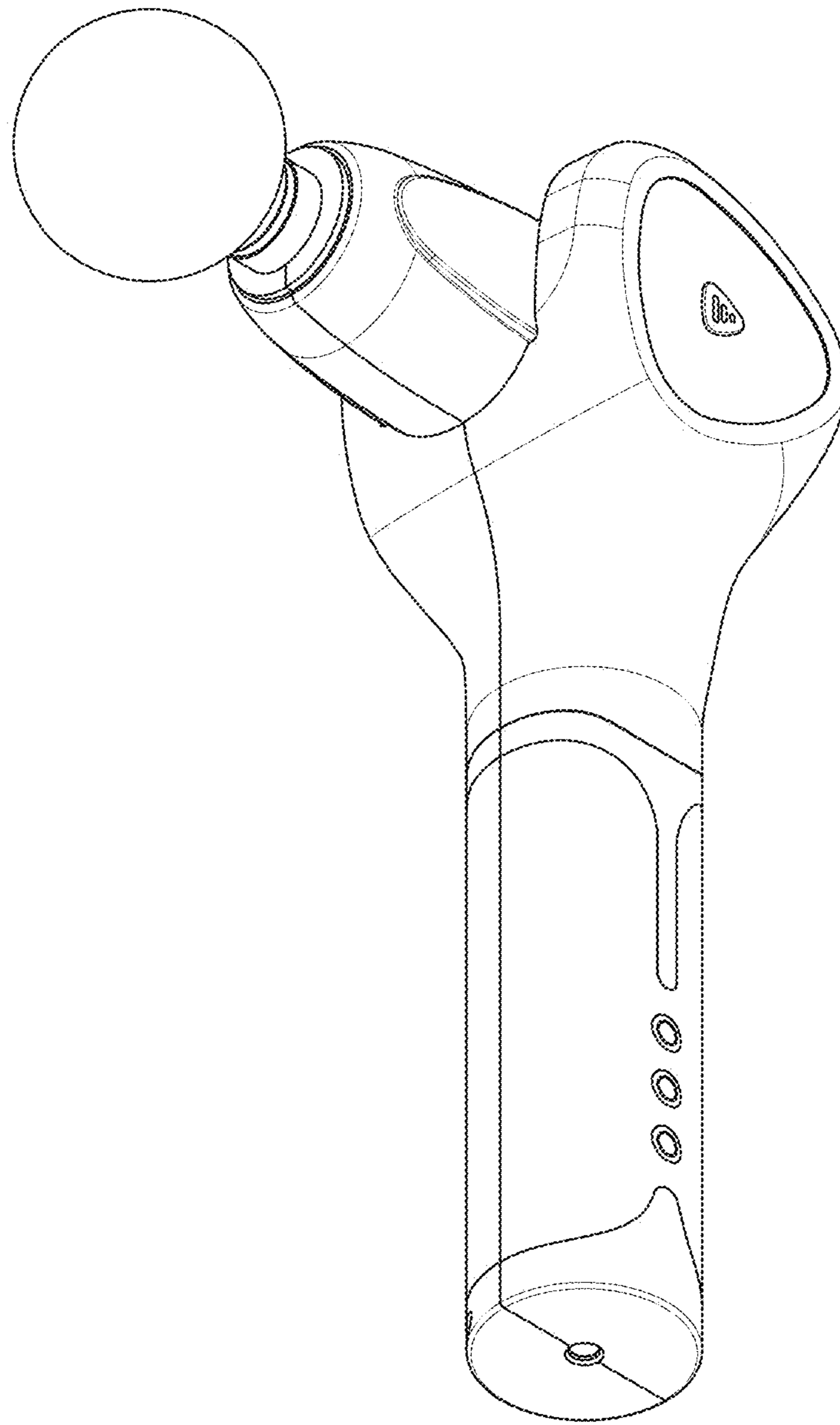


FIG. 4

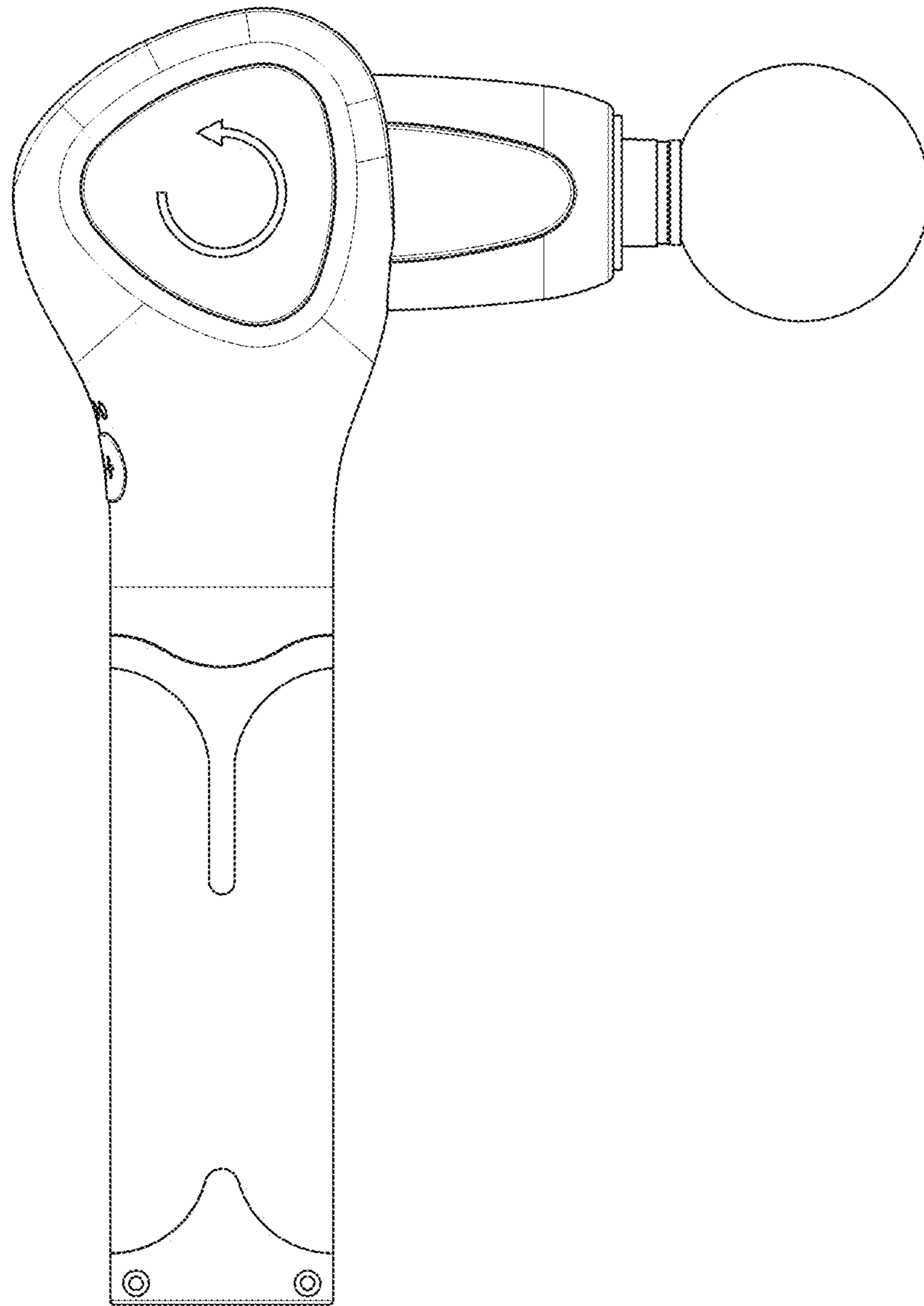


FIG. 5

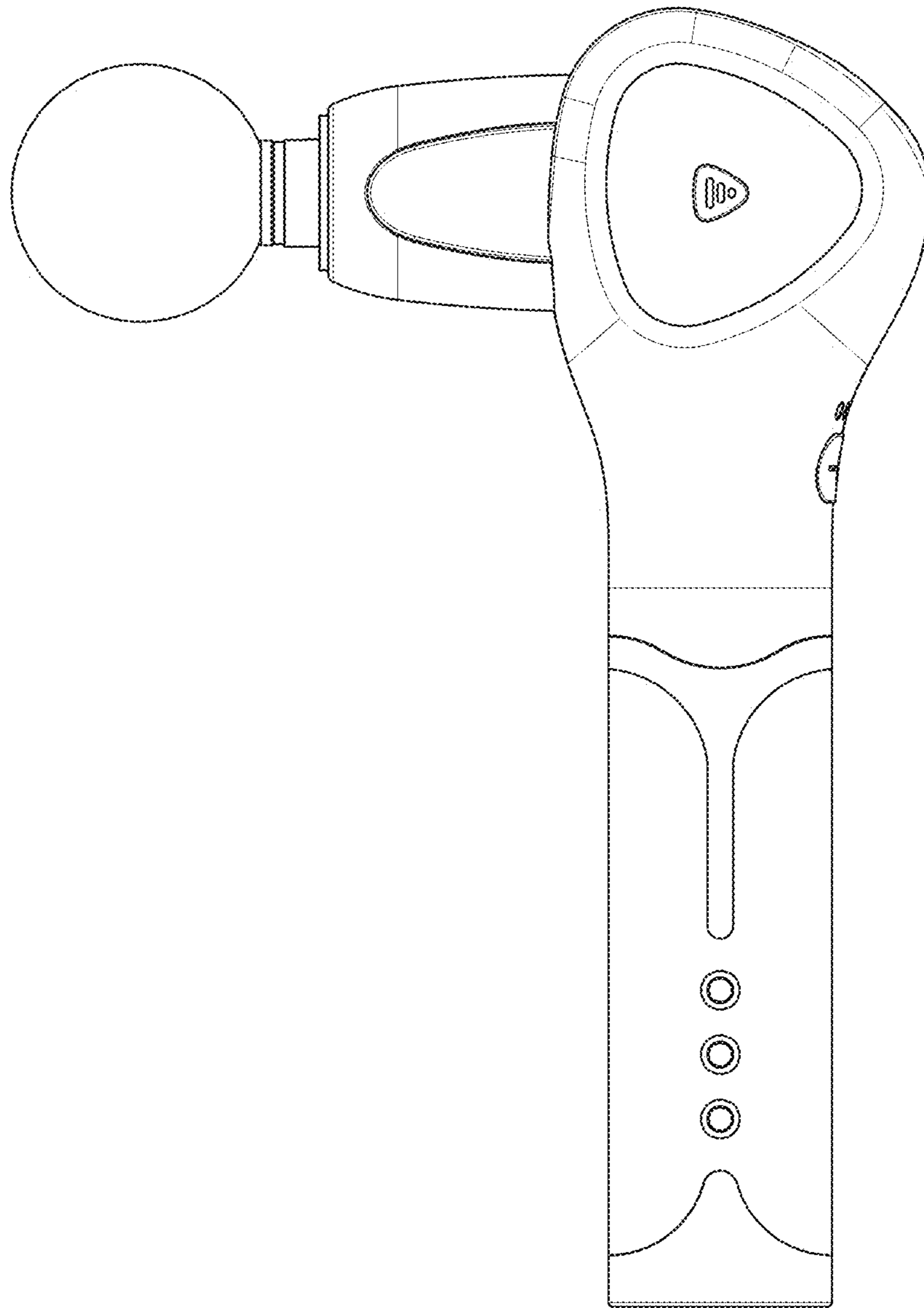


FIG. 6



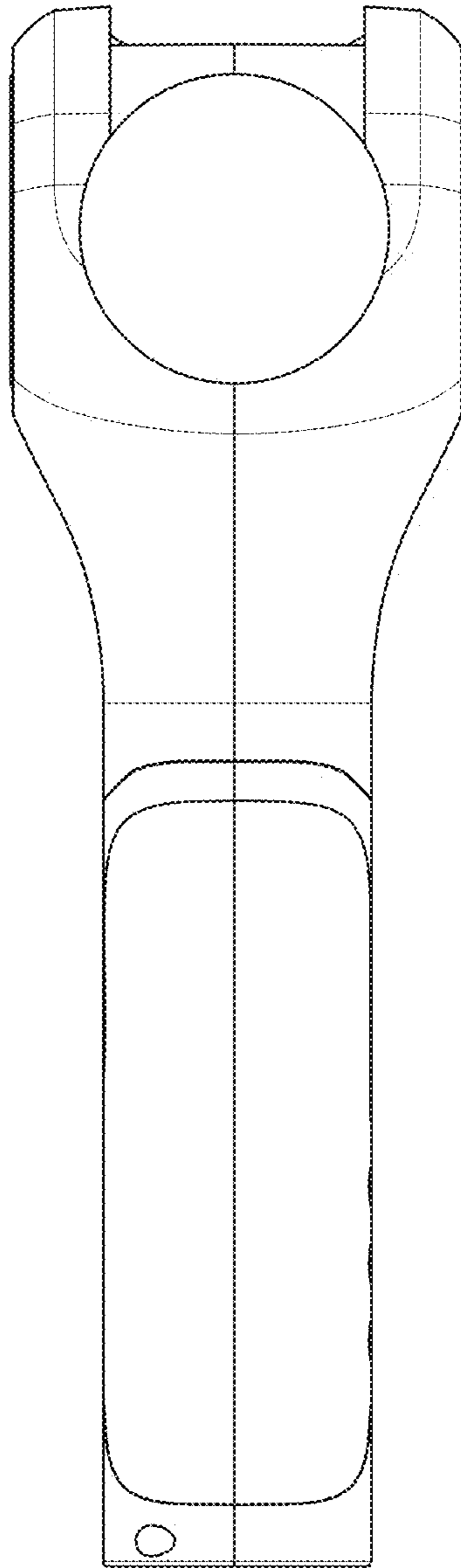


FIG. 7

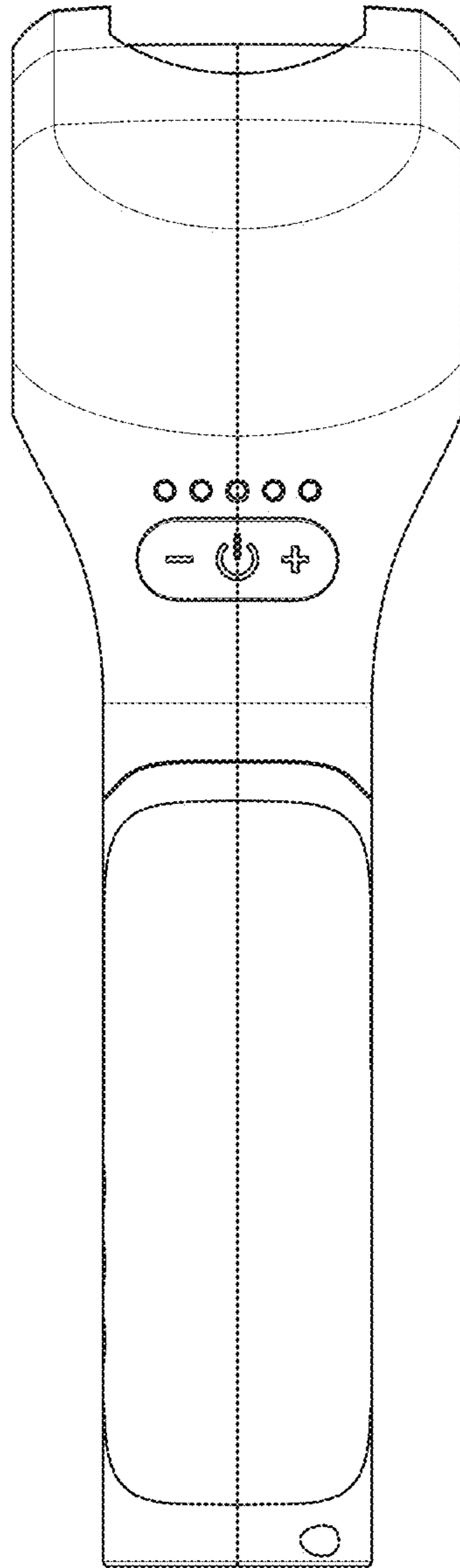


FIG. 8

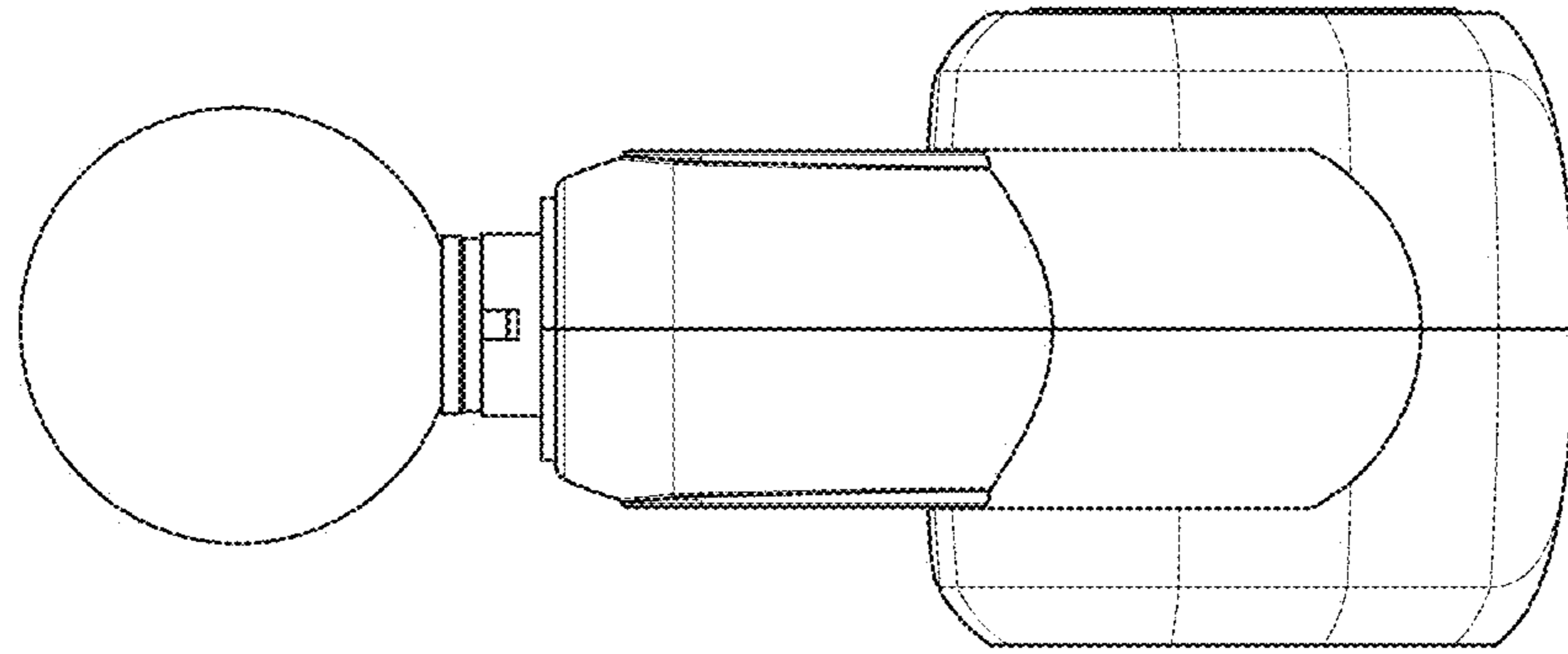


FIG. 9

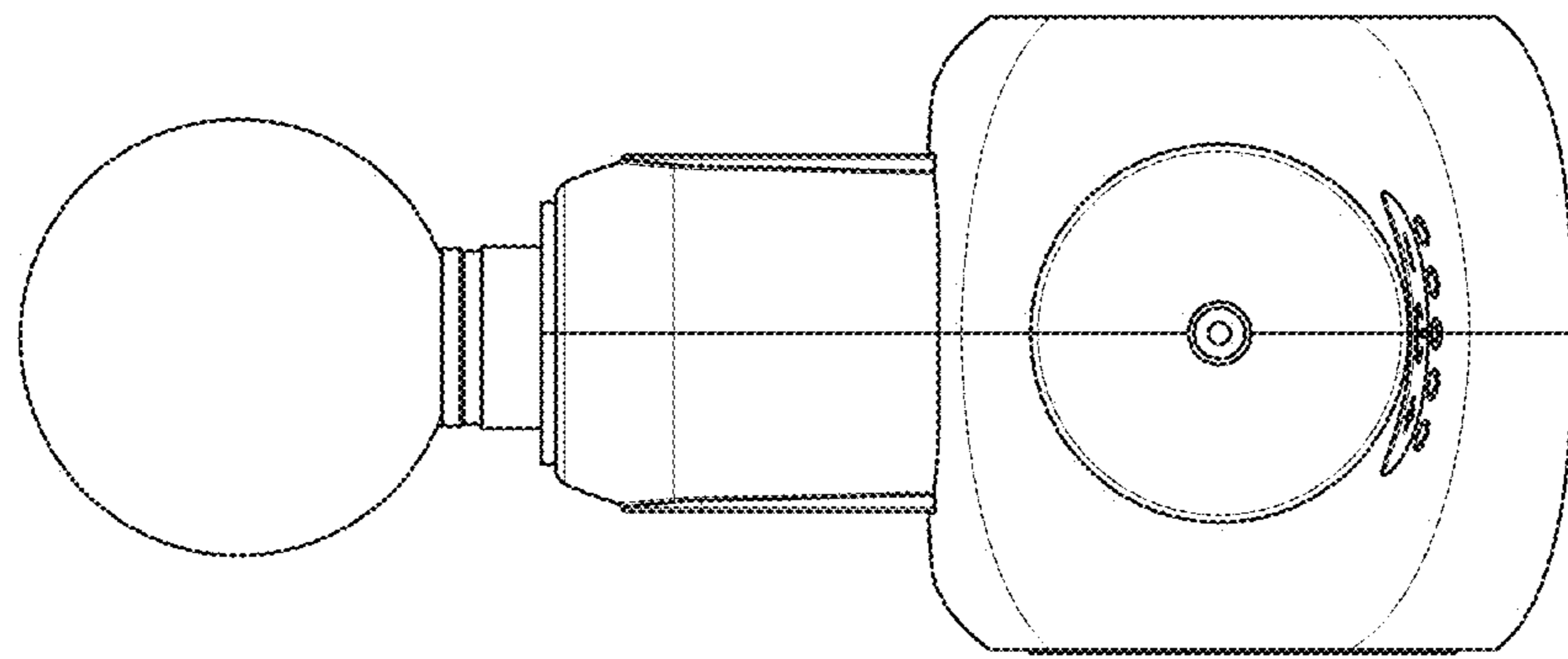


FIG. 10