



US00D965805S

(12) **United States Design Patent**
Choi

(10) **Patent No.:** **US D965,805 S**

(45) **Date of Patent:** **** Oct. 4, 2022**

(54) **SKIN CARE DEVICE**

(71) Applicant: **Lameditech Co., Ltd.**, Seoul (KR)

(72) Inventor: **Jong Seok Choi**, Incheon (KR)

(73) Assignee: **LAMEDITECH CO., LTD.**, Seoul (KR)

(**) Term: **15 Years**

(21) Appl. No.: **29/758,941**

(22) Filed: **Nov. 19, 2020**

(51) **LOC (13) Cl.** **28-03**

(52) **U.S. Cl.**
USPC **D24/209**

(58) **Field of Classification Search**

USPC D24/107, 186, 158, 231, 200, 209, 210,
D24/133, 214, 215; D26/37-39; D28/9
CPC A61N 5/062; A61N 5/0616; A61N 5/0614;
A61N 5/0617; A61N 5/0618; A61N
5/0624; A61N 5/0627; A61N 5/0625;
A61N 2005/0643; A61N 2005/0644;
A61N 2005/0645; A61N 2005/0647;
A61N 2005/0651; A61N 2005/0652;
A61N 2005/0654; A61N 2005/0662

See application file for complete search history.

(56) **References Cited**

U.S. PATENT DOCUMENTS

D791,336 S * 7/2017 Lei D24/209
D895,206 S * 9/2020 Huang D28/44.1

D895,897 S * 9/2020 Huang D28/44.1
D901,028 S * 11/2020 Shah D24/209
D908,957 S * 1/2021 Huang D28/44.1
2011/0037002 A1* 2/2011 Johnson A61N 5/0613
250/504 R
2019/0274608 A1* 9/2019 Choi A61B 5/150824
2021/0338478 A1* 11/2021 Kim A61B 18/02

* cited by examiner

Primary Examiner — Anhdao Doan

(74) *Attorney, Agent, or Firm* — Hamre, Schumann,
Mueller & Larson, P.C.

(57) **CLAIM**

The ornamental design for a skin care device, as shown and described.

DESCRIPTION

FIG. 1 is a perspective view of a skin care device illustrating our new design,
FIG. 2 is a front view thereof;
FIG. 3 is a rear view thereof;
FIG. 4 is a left side view thereof;
FIG. 5 is a right side view thereof;
FIG. 6 is a top plan view thereof; and,
FIG. 7 is a bottom view thereof.
The broken line representations in the figures show unclaimed environment, and thus form no part of the claimed design.

1 Claim, 7 Drawing Sheets

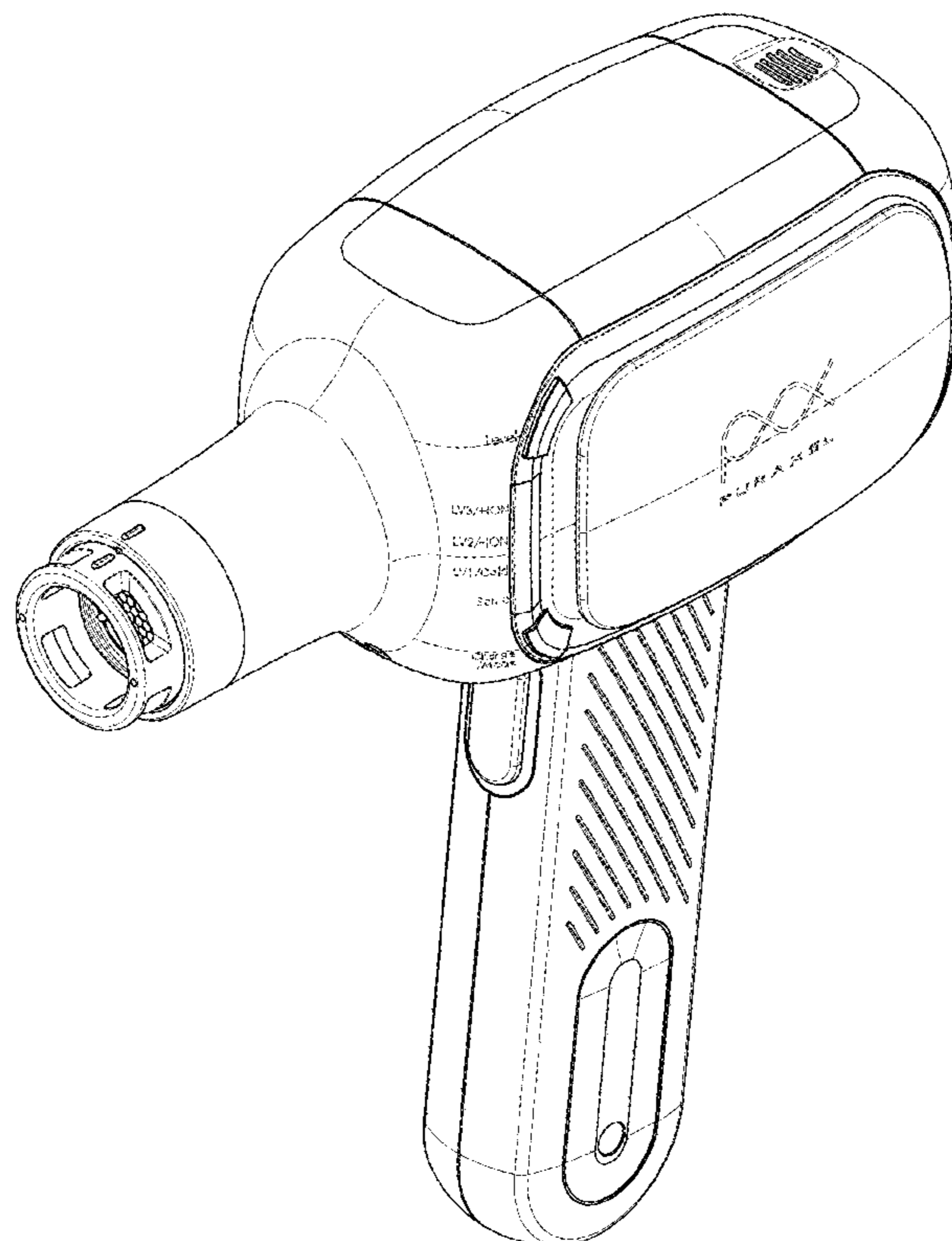


FIG. 1

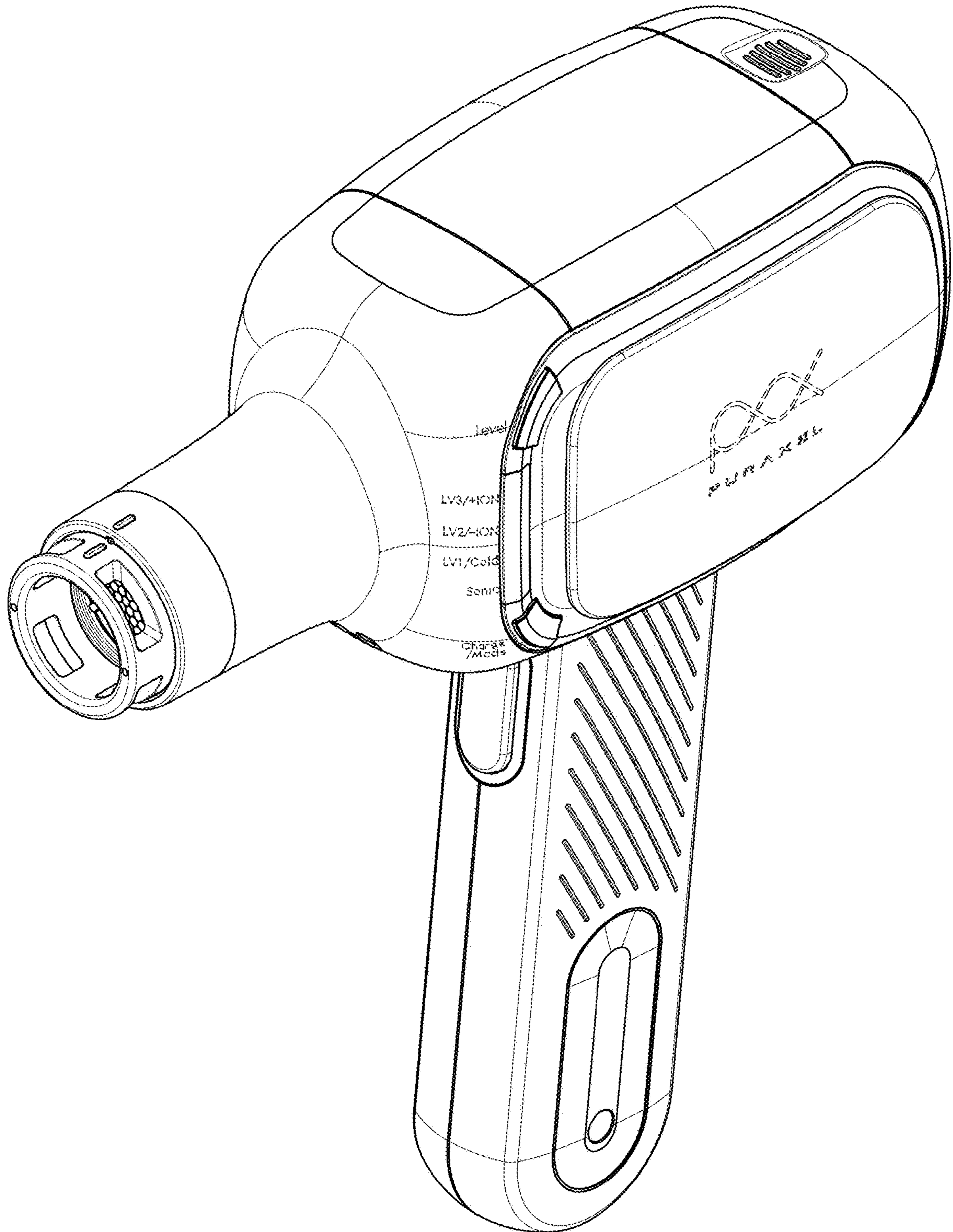


FIG. 2

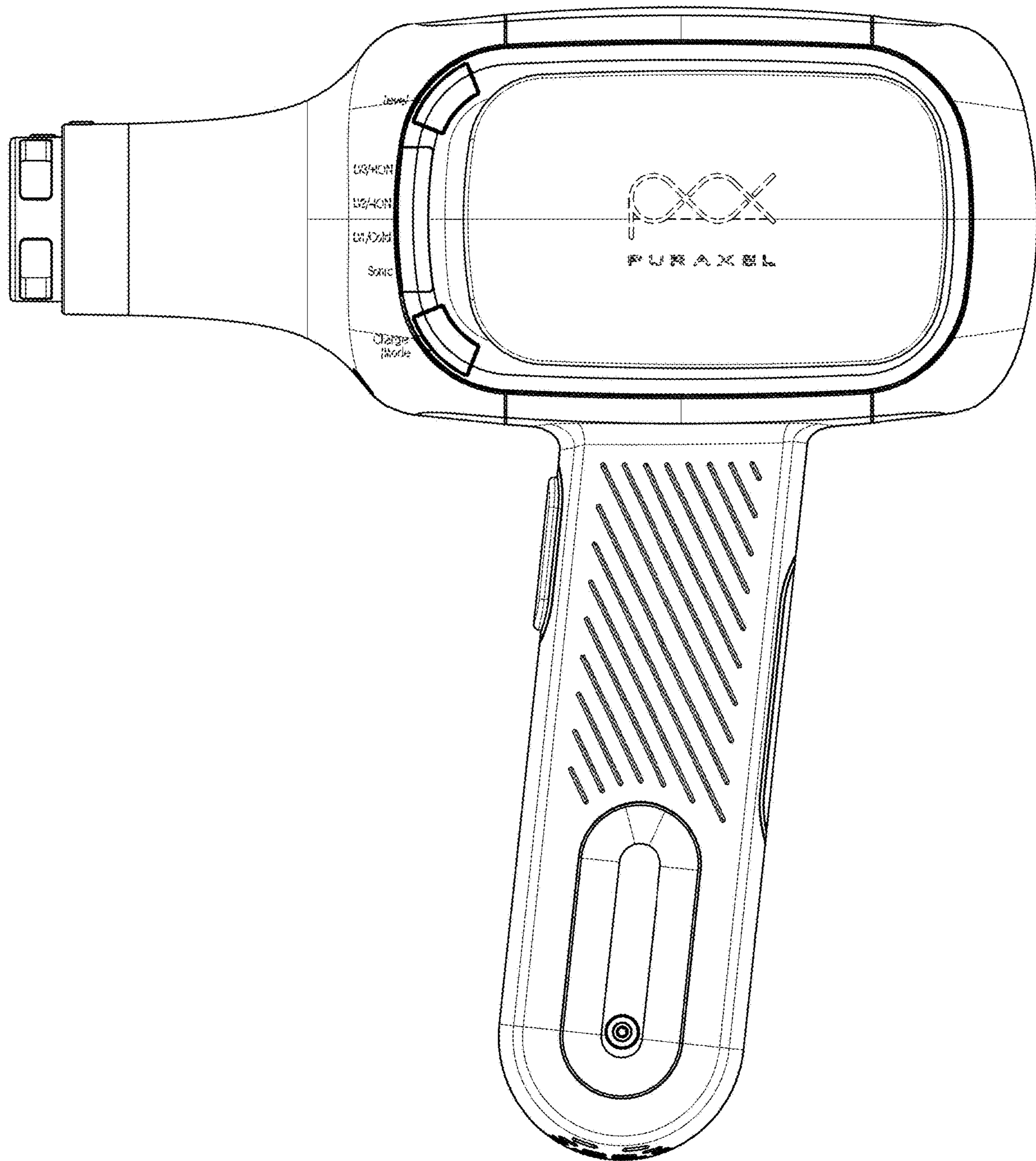


FIG. 3

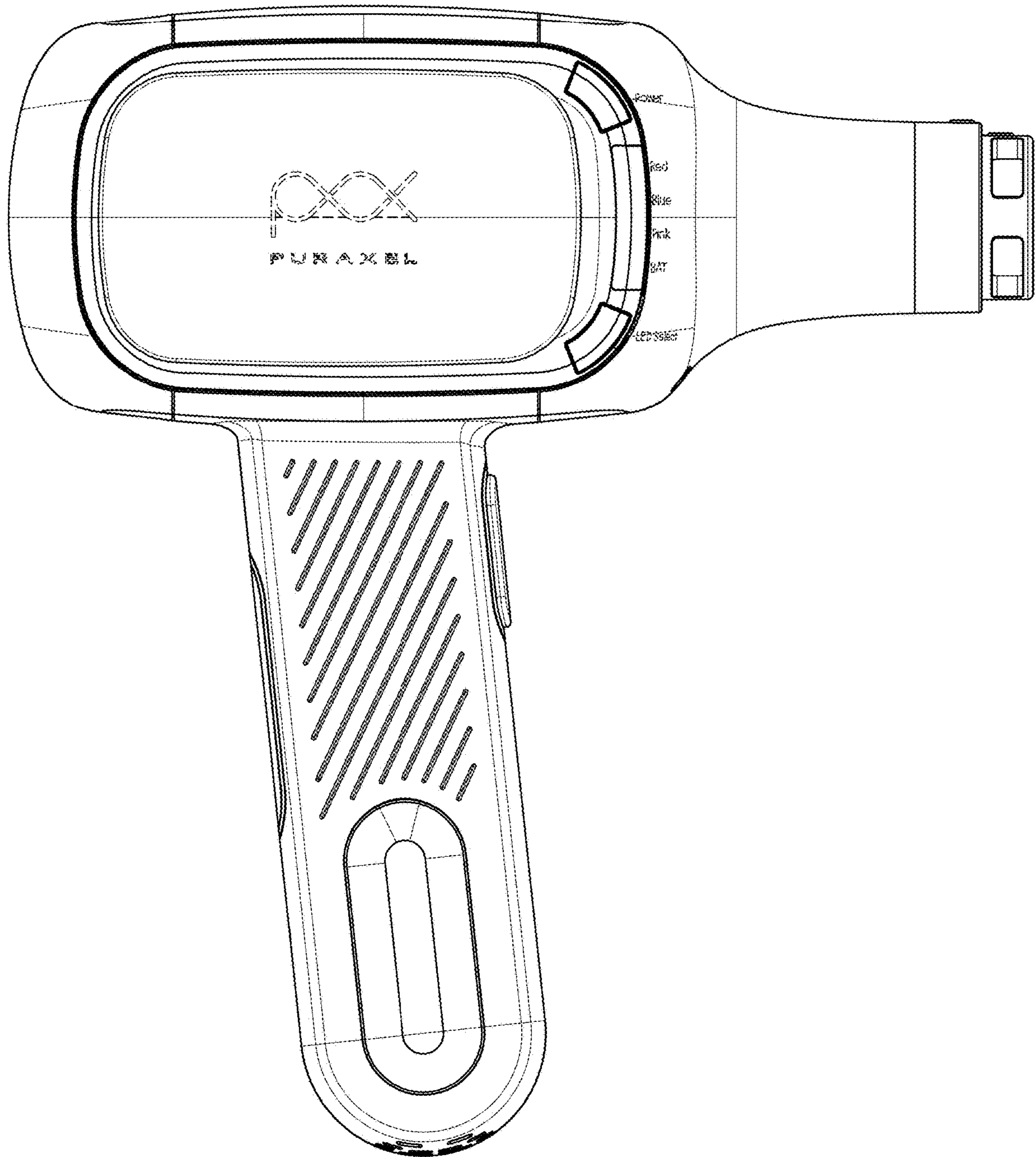


FIG. 4

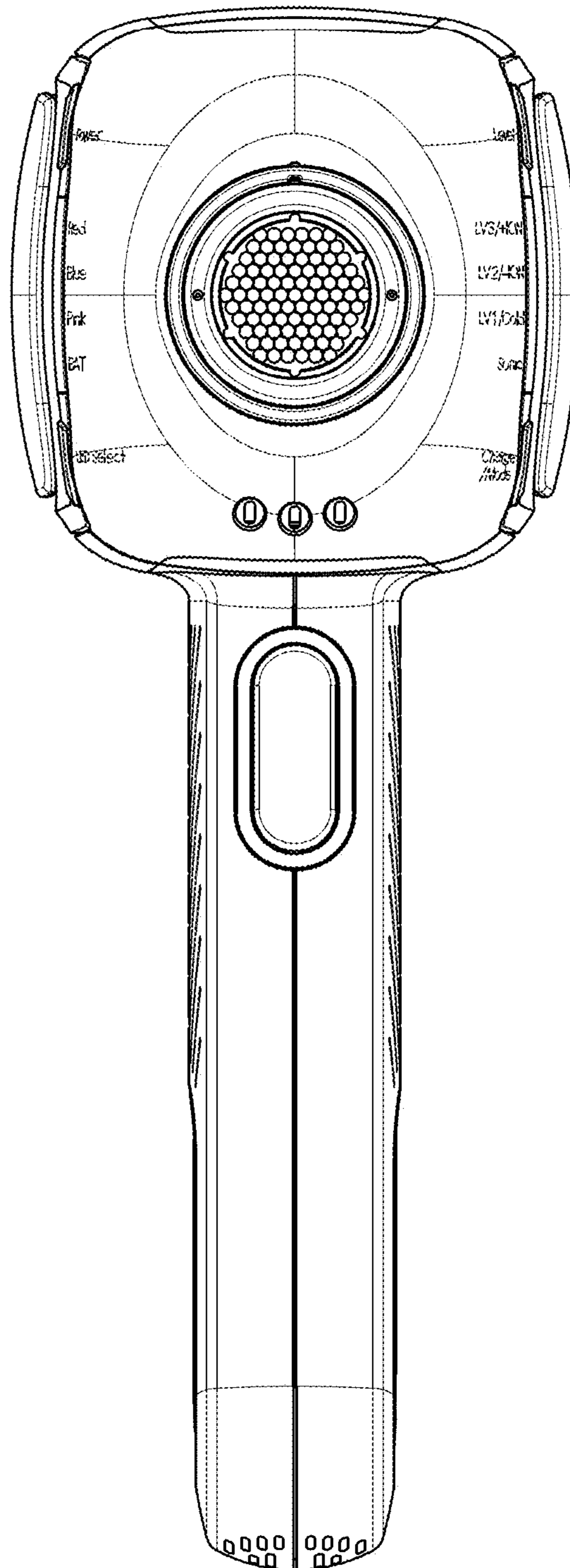


FIG. 5

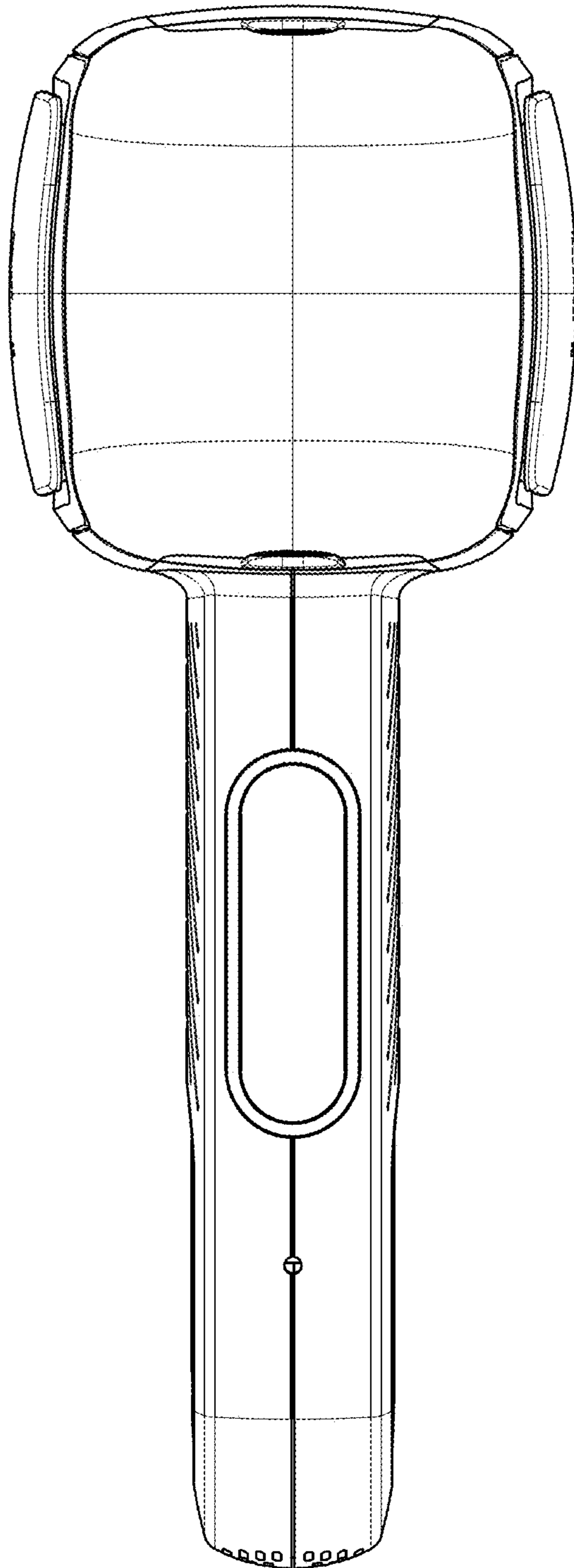


FIG. 6

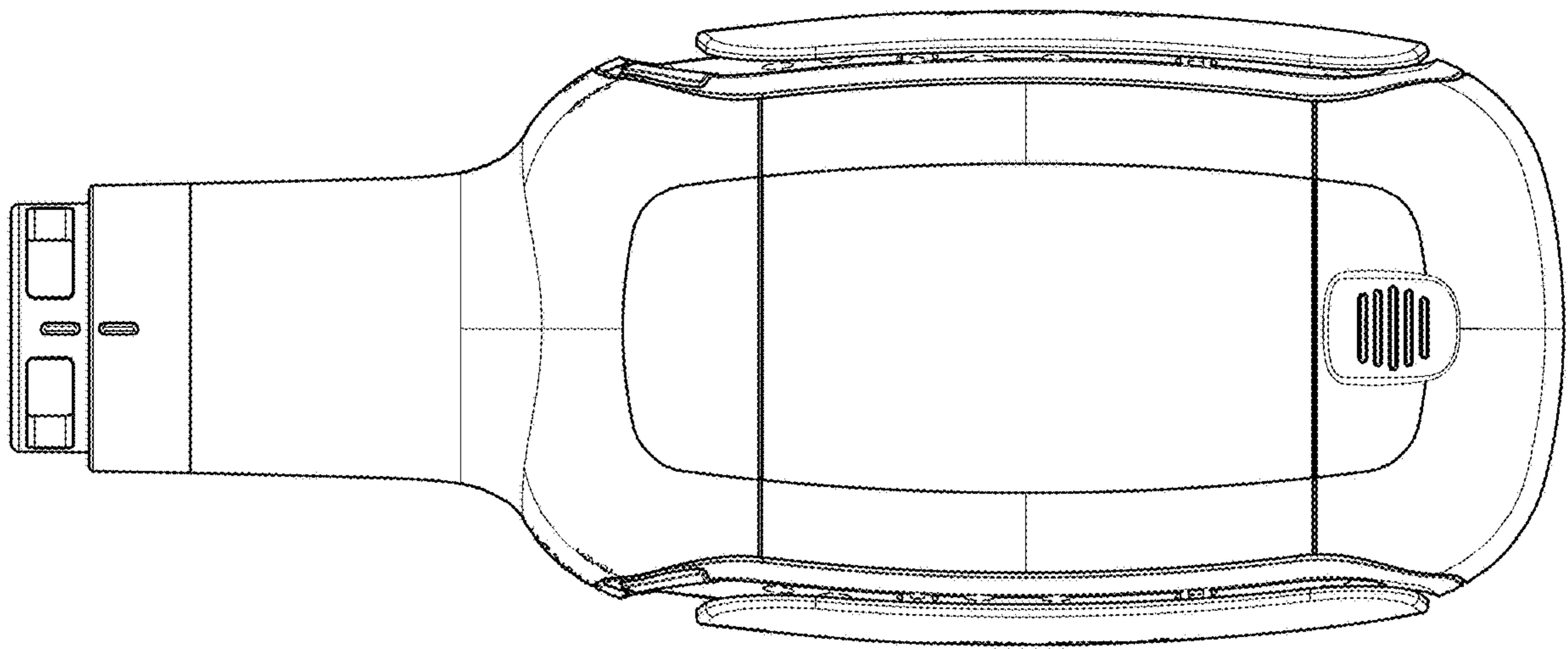


FIG. 7

