



US00D965803S

(12) **United States Design Patent**
Gasmi

(10) **Patent No.:** **US D965,803 S**

(45) **Date of Patent:** **** Oct. 4, 2022**

(54) **COSMETIC APPLICATOR**

(71) Applicant: **L'Oreal**, Paris (FR)

(72) Inventor: **Chafik Gasmi**, Paris (FR)

(73) Assignee: **L'Oreal**, Paris (FR)

(**) Term: **15 Years**

(21) Appl. No.: **29/757,018**

(22) Filed: **Nov. 2, 2020**

(30) **Foreign Application Priority Data**

May 11, 2020 (EM) 007799218-0001

(51) **LOC (13) Cl.** **28-03**

(52) **U.S. Cl.**
USPC **D24/200; D24/215**

(58) **Field of Classification Search**
USPC D24/200, 214-215, 133; D28/9
CPC A61H 1/00; A61H 1/001; A61H 1/005;
A61H 7/00; A61H 7/001; A61H 7/002;
A61H 7/003; A61H 7/004; A61H 7/005;
A61H 2205/00; A61H 2205/022; A61H
2205/025; A61H 2205/021; A61H
2205/04; A61H 2205/06; A61H 2205/10
See application file for complete search history.

(56) **References Cited**

U.S. PATENT DOCUMENTS

D582,048 S * 12/2008 Chiu D24/200
D659,843 S * 5/2012 Wang D24/200
D747,800 S * 1/2016 Dunleavy D24/133
D795,423 S * 8/2017 Chen D24/133
D857,911 S * 8/2019 Huang D24/215

D865,209 S * 10/2019 Nichols D24/214
D875,267 S * 2/2020 Zeng D24/214
2021/0145686 A1* 5/2021 Oh A61H 1/00

* cited by examiner

Primary Examiner — Wan Laymon

(74) *Attorney, Agent, or Firm* — Edell, Shapiro & Finnan, LLC

(57) **CLAIM**

The ornamental design for a cosmetic applicator, as shown and described.

DESCRIPTION

FIG. 1 is a front, left perspective view from above of a cosmetic applicator.

FIG. 2 is rear, right perspective view from below of the cosmetic applicator of FIG. 1.

FIG. 3 is a front, left perspective view of the cosmetic applicator of FIG. 1.

FIG. 4 is rear, left perspective view of the cosmetic applicator of FIG. 1.

FIG. 5 is a front elevation view of the cosmetic applicator of FIG. 1.

FIG. 6 is a rear elevation view of the cosmetic applicator of FIG. 1.

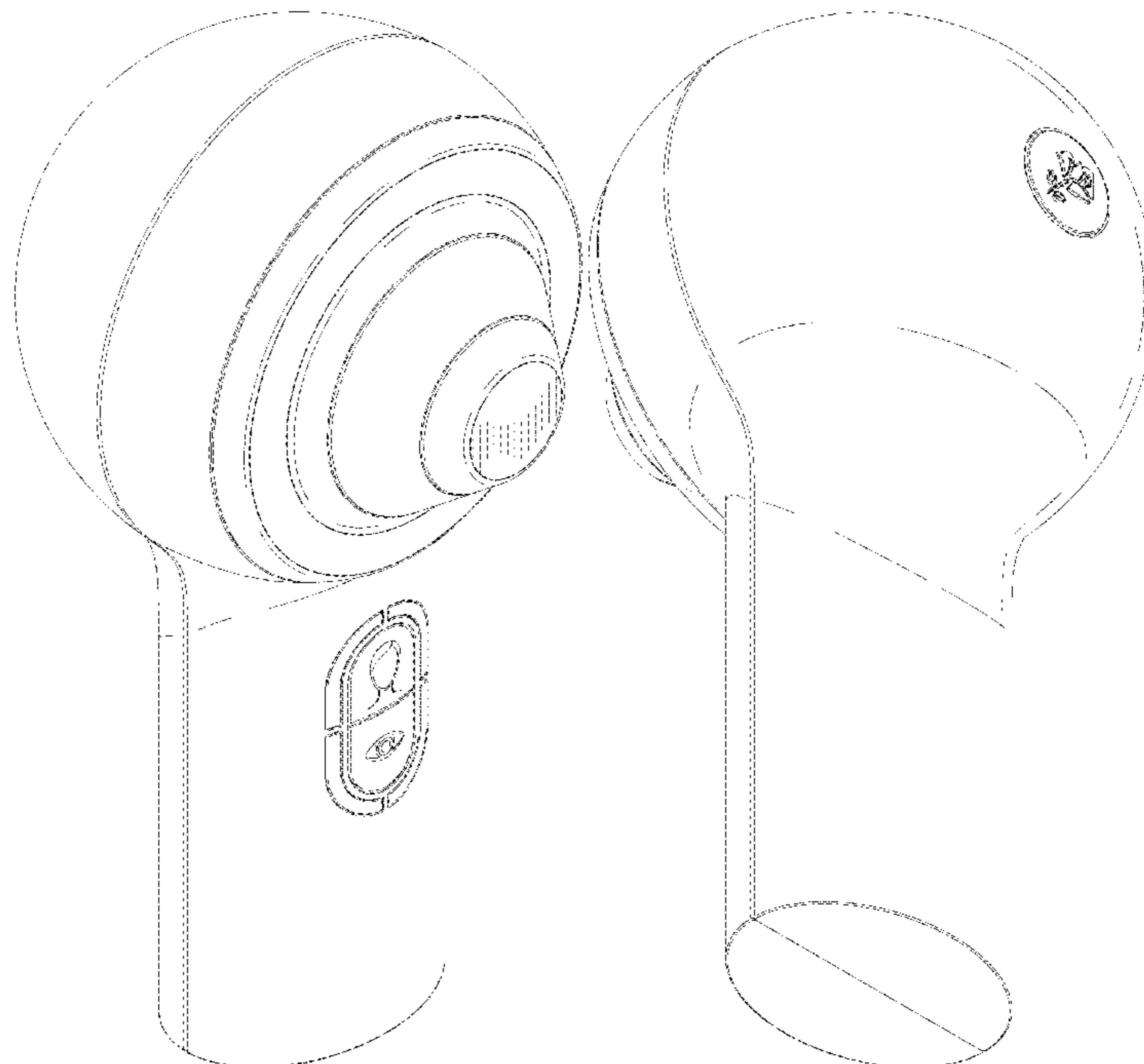
FIG. 7 is a right side elevation view of the cosmetic applicator of FIG. 1.

FIG. 8 is a left side elevation view of the cosmetic applicator of FIG. 1.

FIG. 9 is a top plan view of the cosmetic applicator of FIG. 1; and,

FIG. 10 is a bottom plan view of the cosmetic applicator of FIG. 1.

1 Claim, 10 Drawing Sheets



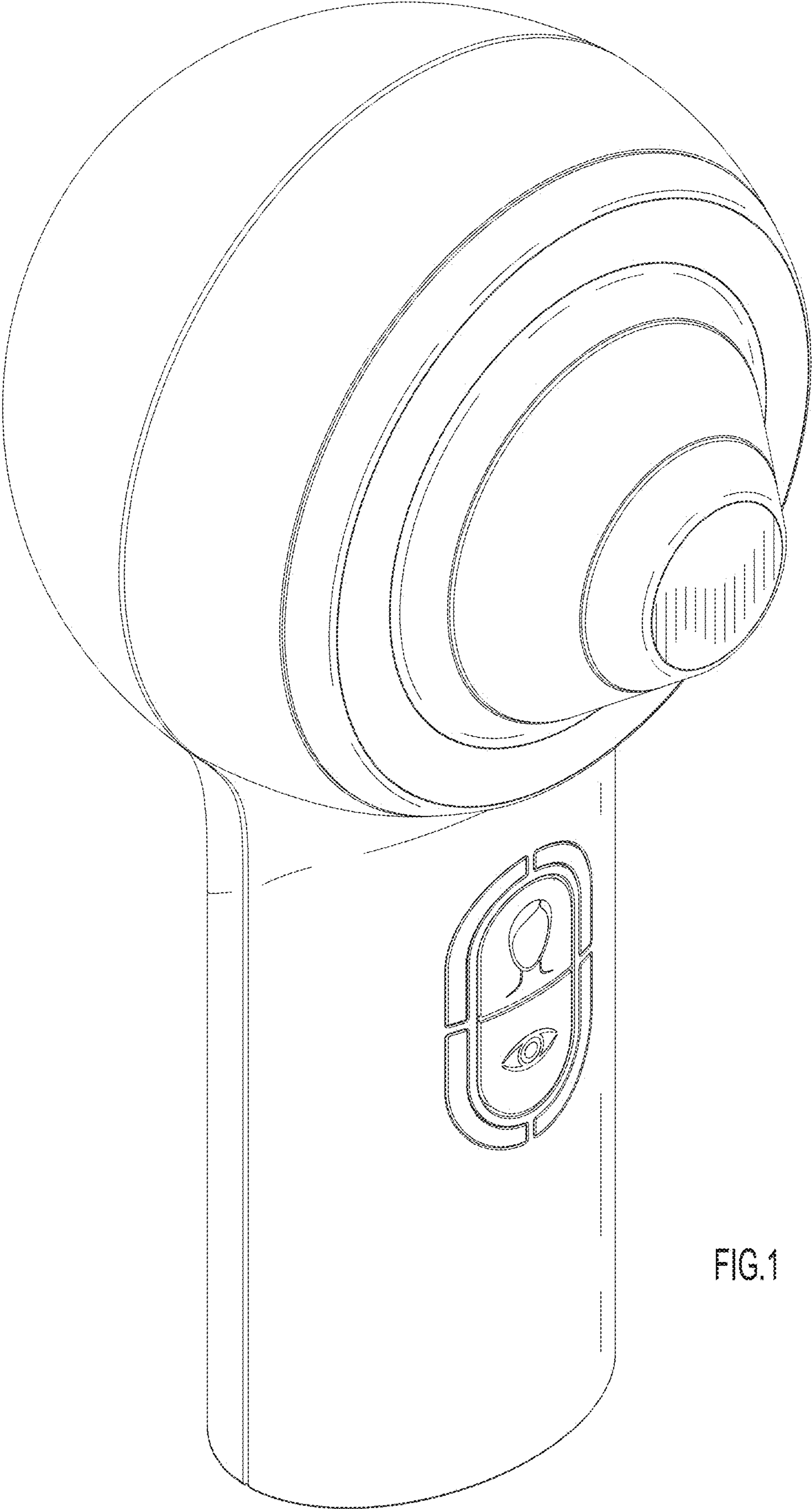


FIG.1

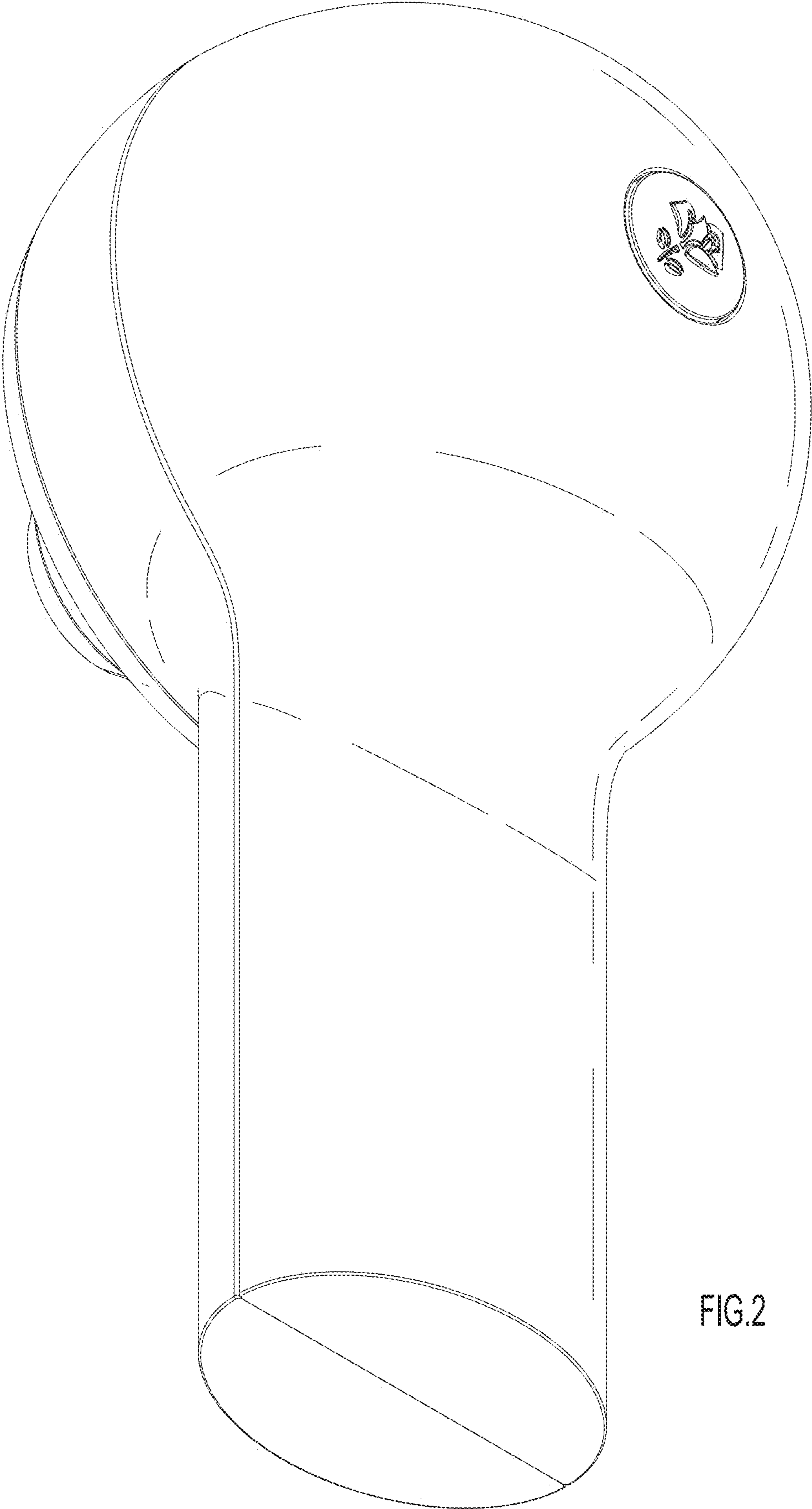


FIG.2

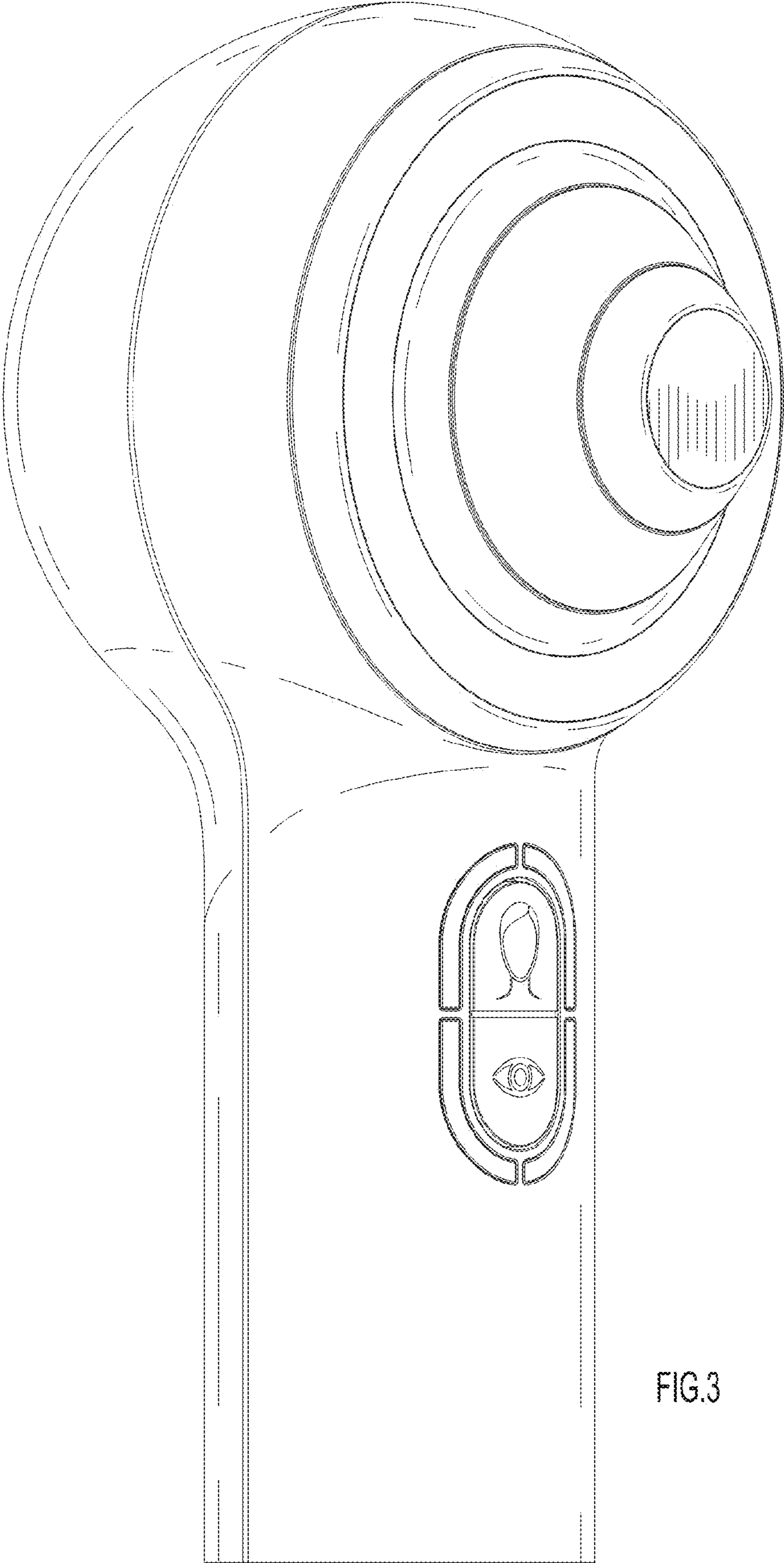


FIG.3

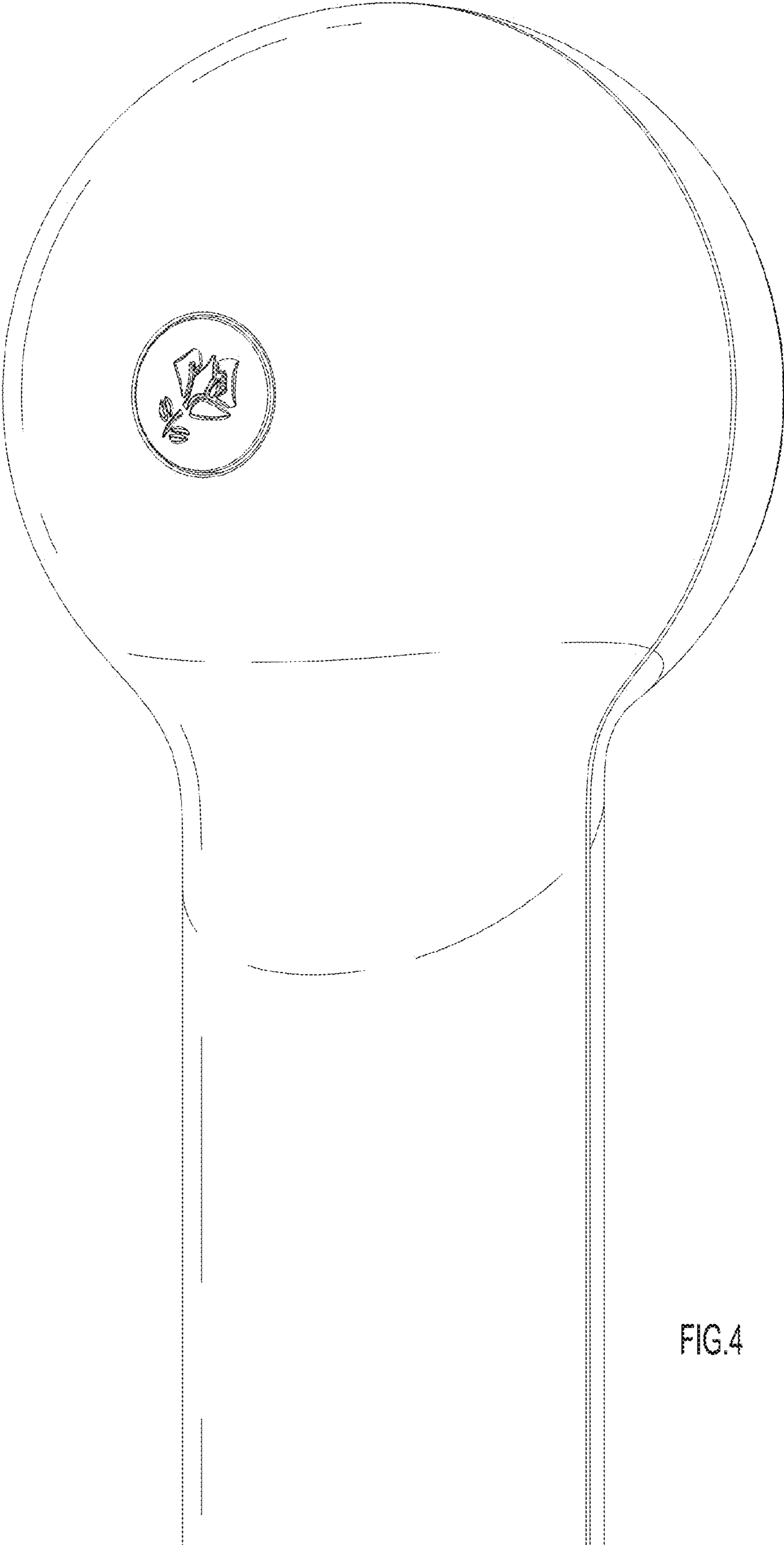


FIG.4

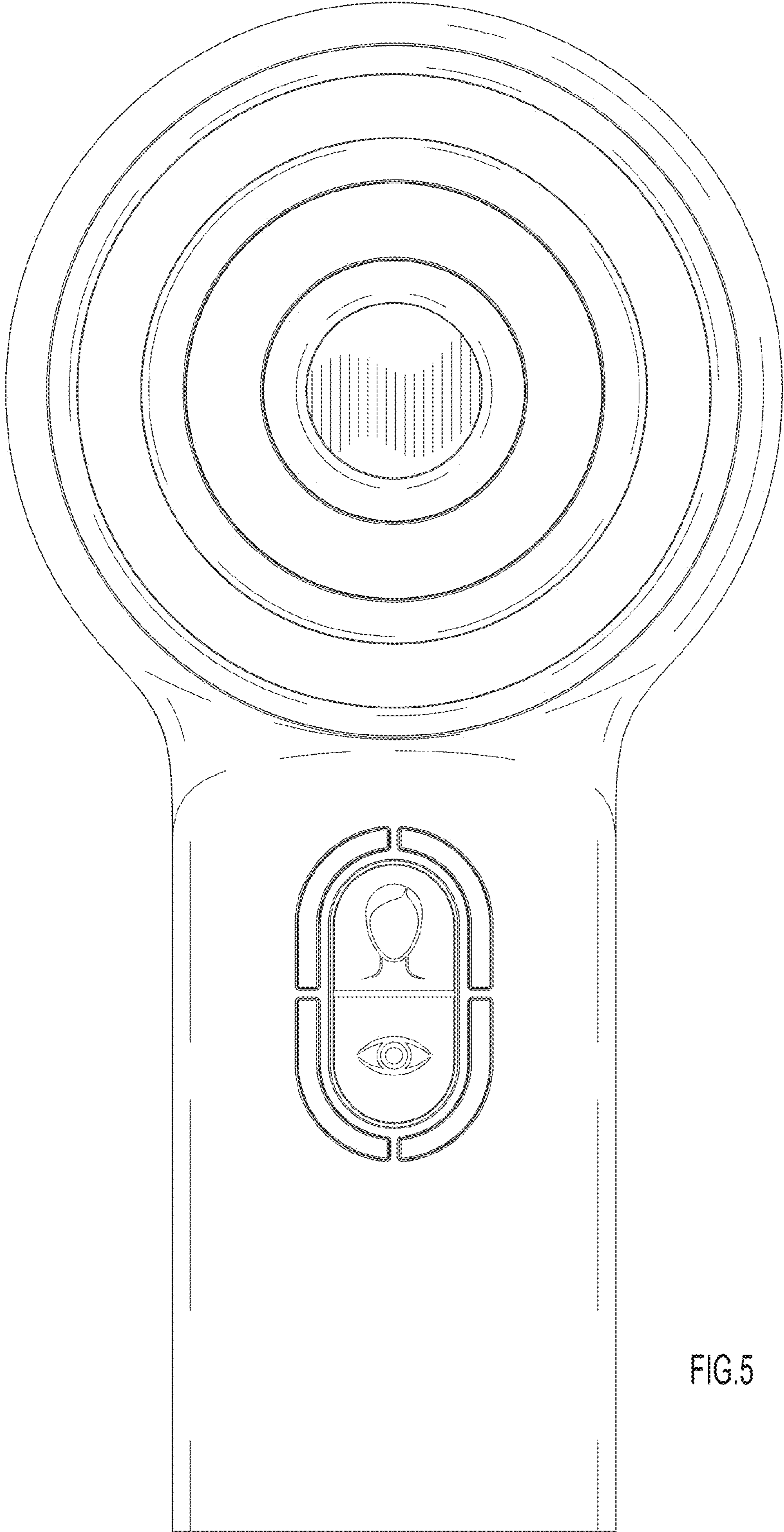


FIG.5

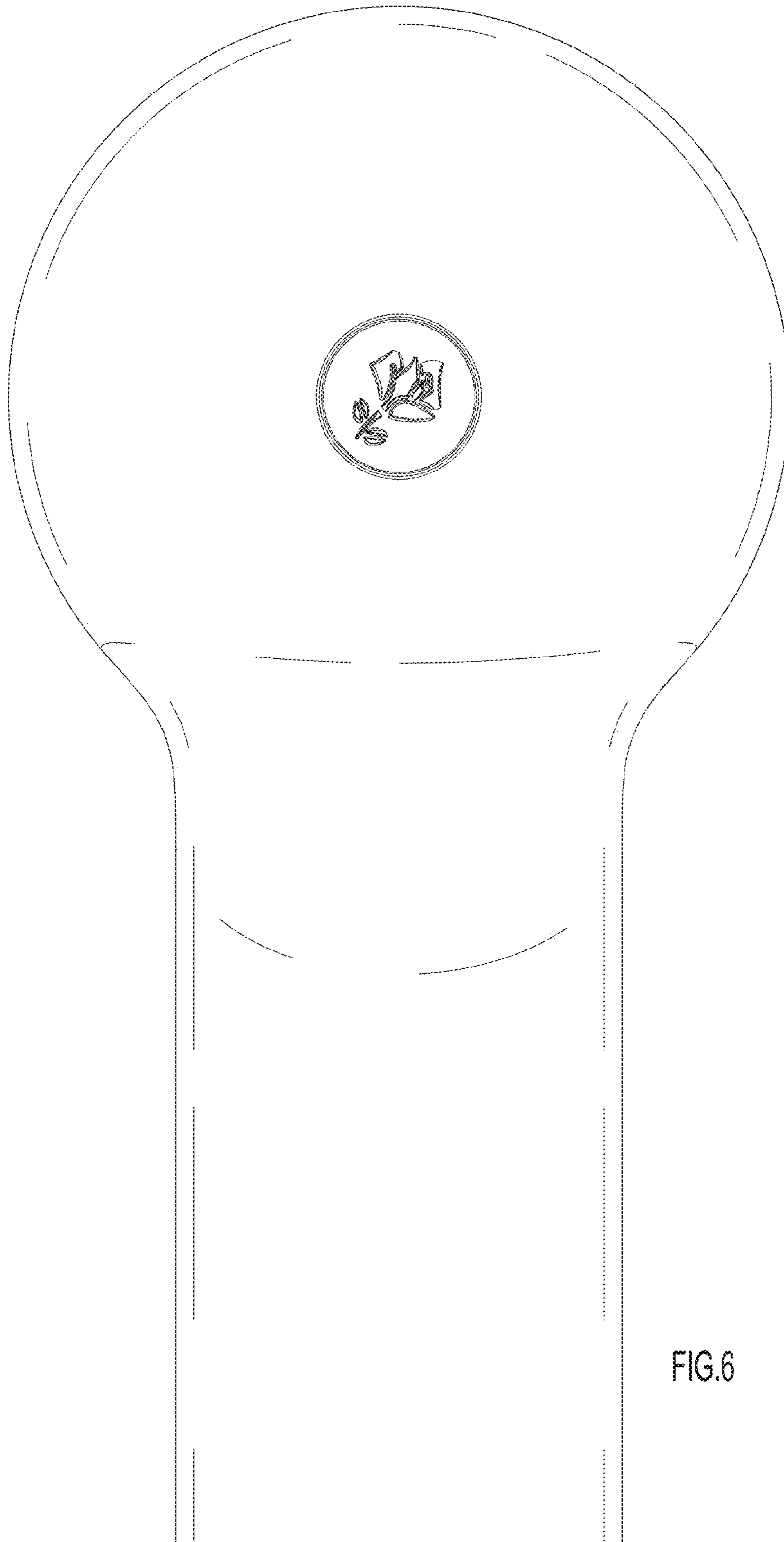


FIG.6

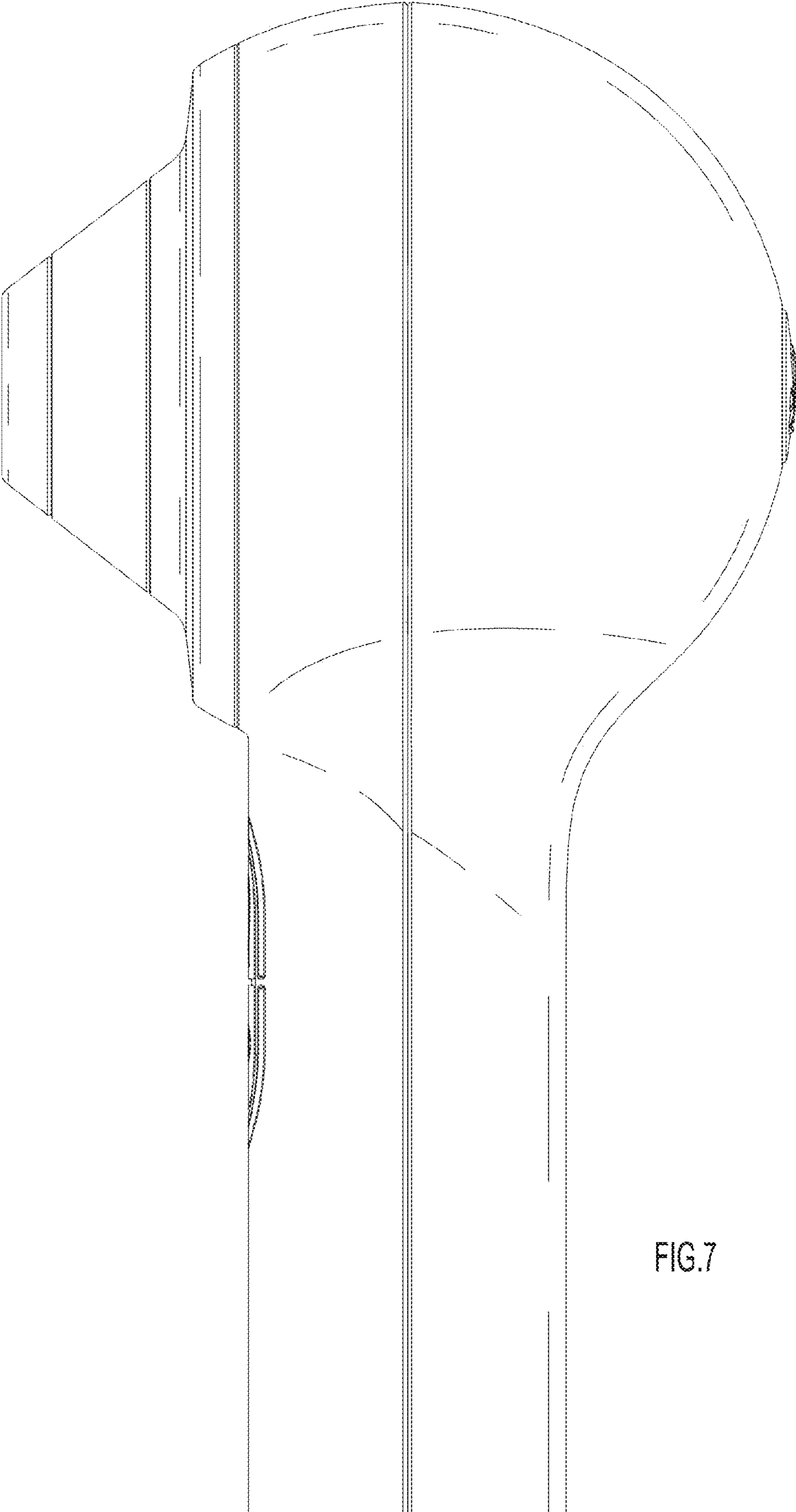


FIG.7

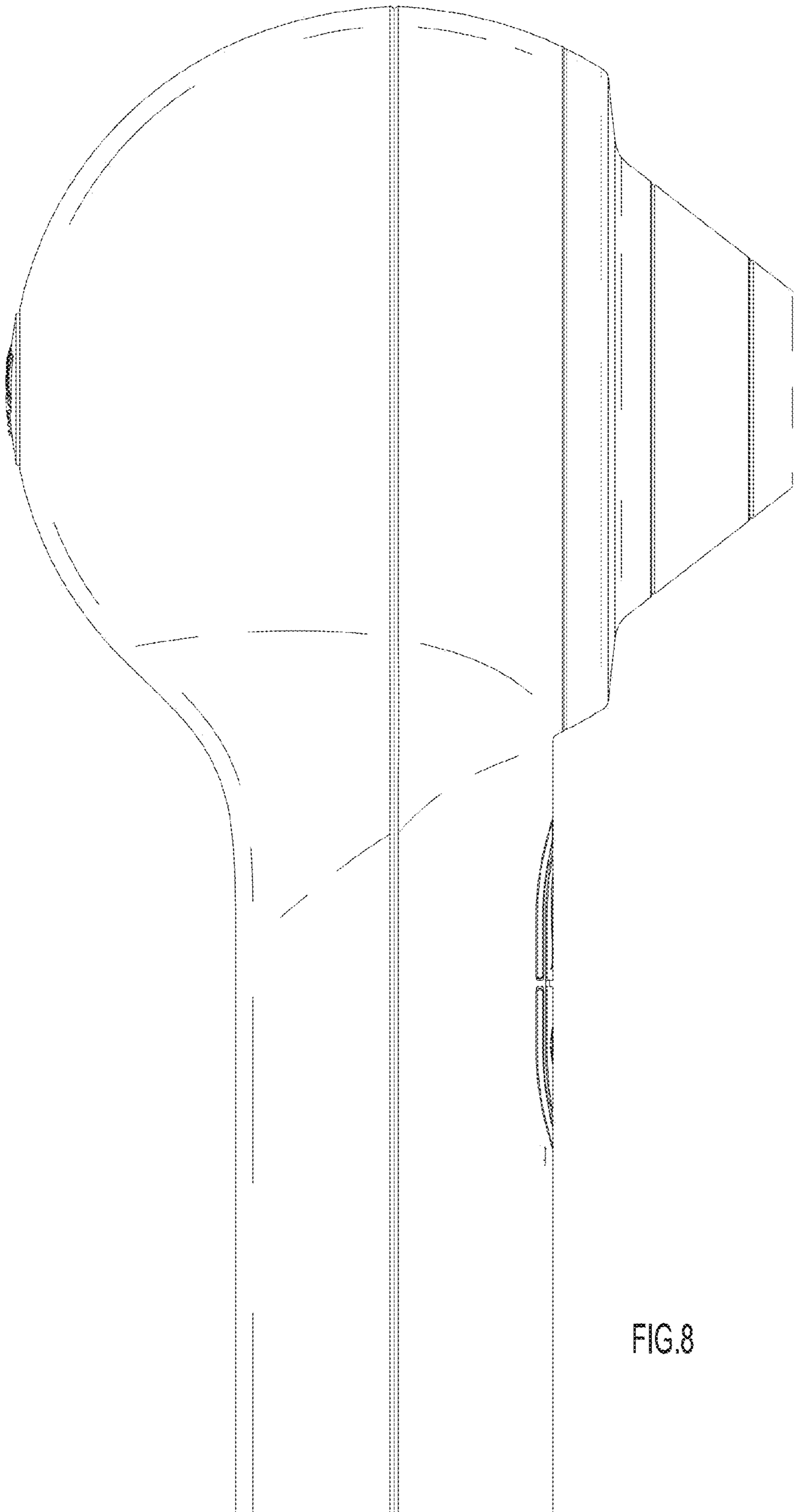


FIG.8

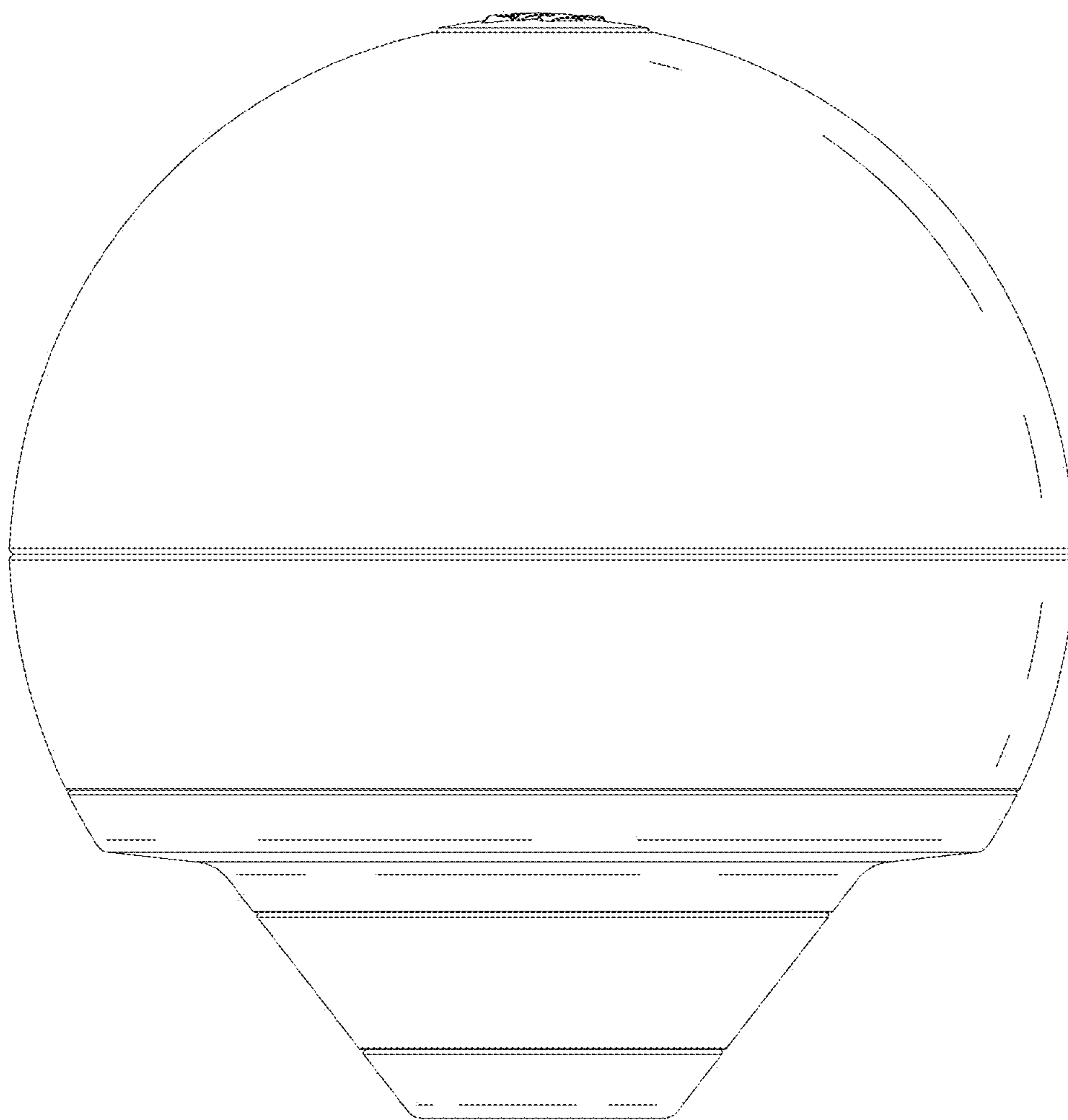


FIG.9

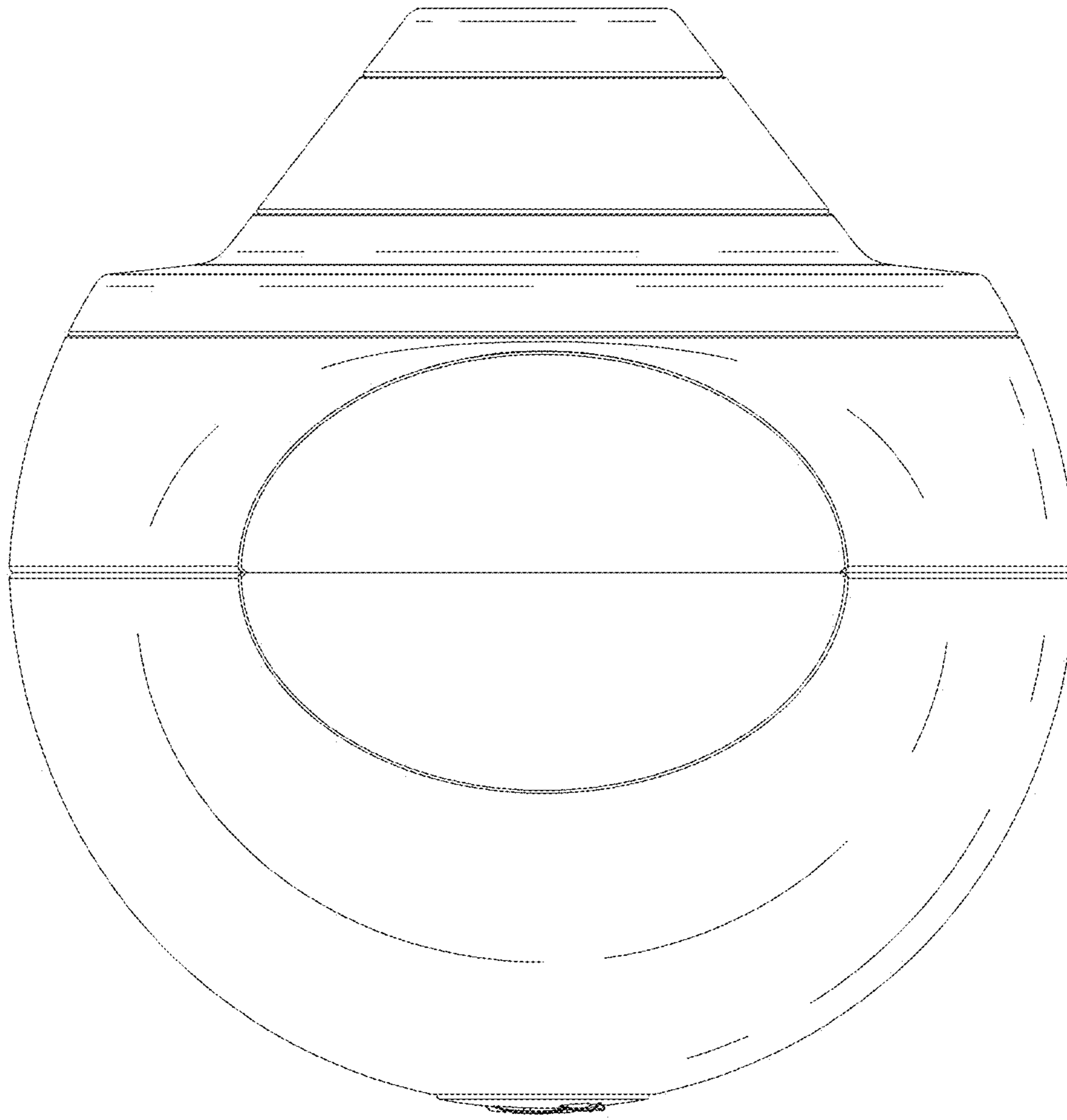


FIG.10