



US00D965802S

(12) **United States Design Patent**
Lin

(10) **Patent No.:** **US D965,802 S**
(45) **Date of Patent:** **** Oct. 4, 2022**

- (54) **WAX WARMER**
- (71) Applicant: **Hung-Chen Lin**, Tainan (TW)
- (72) Inventor: **Hung-Chen Lin**, Tainan (TW)
- (**) Term: **15 Years**
- (21) Appl. No.: **29/756,031**
- (22) Filed: **Oct. 25, 2020**
- (51) **LOC (13) Cl.** **28-03**
- (52) **U.S. Cl.**
USPC **D24/200; D28/44.1**
- (58) **Field of Classification Search**
USPC D24/200, 204; D28/44, 44.1
CPC A61F 7/007; A61F 7/0085; A61F
2007/0003; A61F 2007/0004; A61F
2007/0024; A61F 2007/0029; A61F
2007/0031; A61F 2007/0034; A61F
2007/0039; A61F 2007/0041; A61F
2007/0043; A61F 2007/0219; A45D
2200/155; A45D 26/0014; A45D
2026/008; A61H 33/04; A61H 2033/047
See application file for complete search history.

- D876,655 S 2/2020 Lin
- D878,616 S 3/2020 Lin
- D880,671 S 4/2020 Wang
- D887,568 S 6/2020 Lin
- D914,223 S * 3/2021 Wang D24/200
- D914,224 S * 3/2021 Wang D24/200
- D932,641 S * 10/2021 Mo D24/200
- D933,248 S * 10/2021 Liu D24/200
- D933,294 S * 10/2021 Deng D28/44.1

* cited by examiner

Primary Examiner — Wan Laymon

(74) *Attorney, Agent, or Firm* — Runit Ranjit Kanakia

(57) **CLAIM**

I claim the ornamental design for a wax warmer, as shown and described.

DESCRIPTION

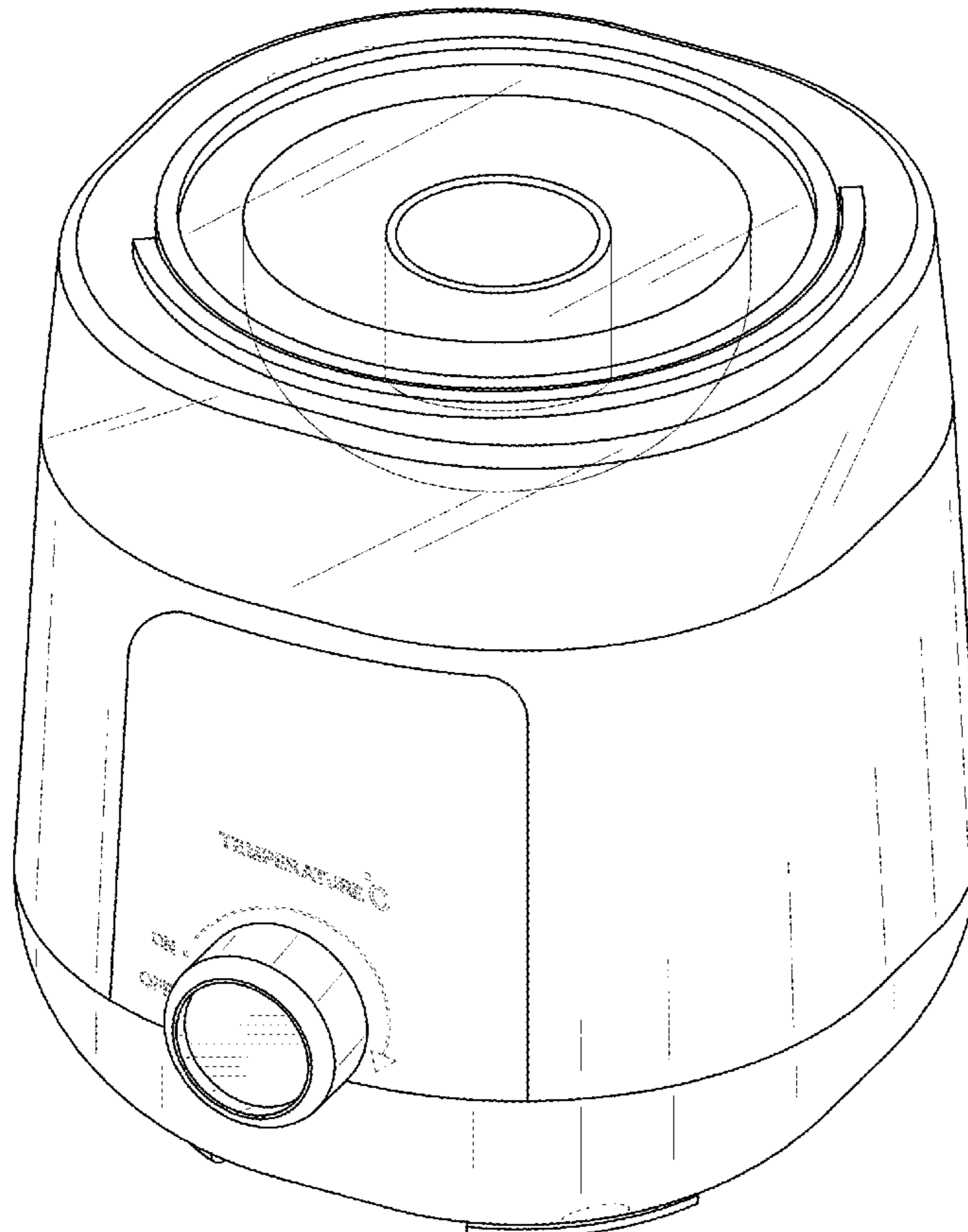
FIG. 1 is a Perspective view of a wax warmer showing my new design;
 FIG. 2 is a Front view thereof;
 FIG. 3 is a Back view thereof;
 FIG. 4 is a Right-side view thereof;
 FIG. 5 is a Left-side view thereof;
 FIG. 6 is a Top view thereof; and,
 FIG. 7 is a Bottom view thereof.

The broken lines in the drawings depict portions of the wax warmer that form no part of the claimed design.

- (56) **References Cited**
U.S. PATENT DOCUMENTS

D838,859 S 1/2019 Yu
D857,215 S 8/2019 Lin

1 Claim, 7 Drawing Sheets



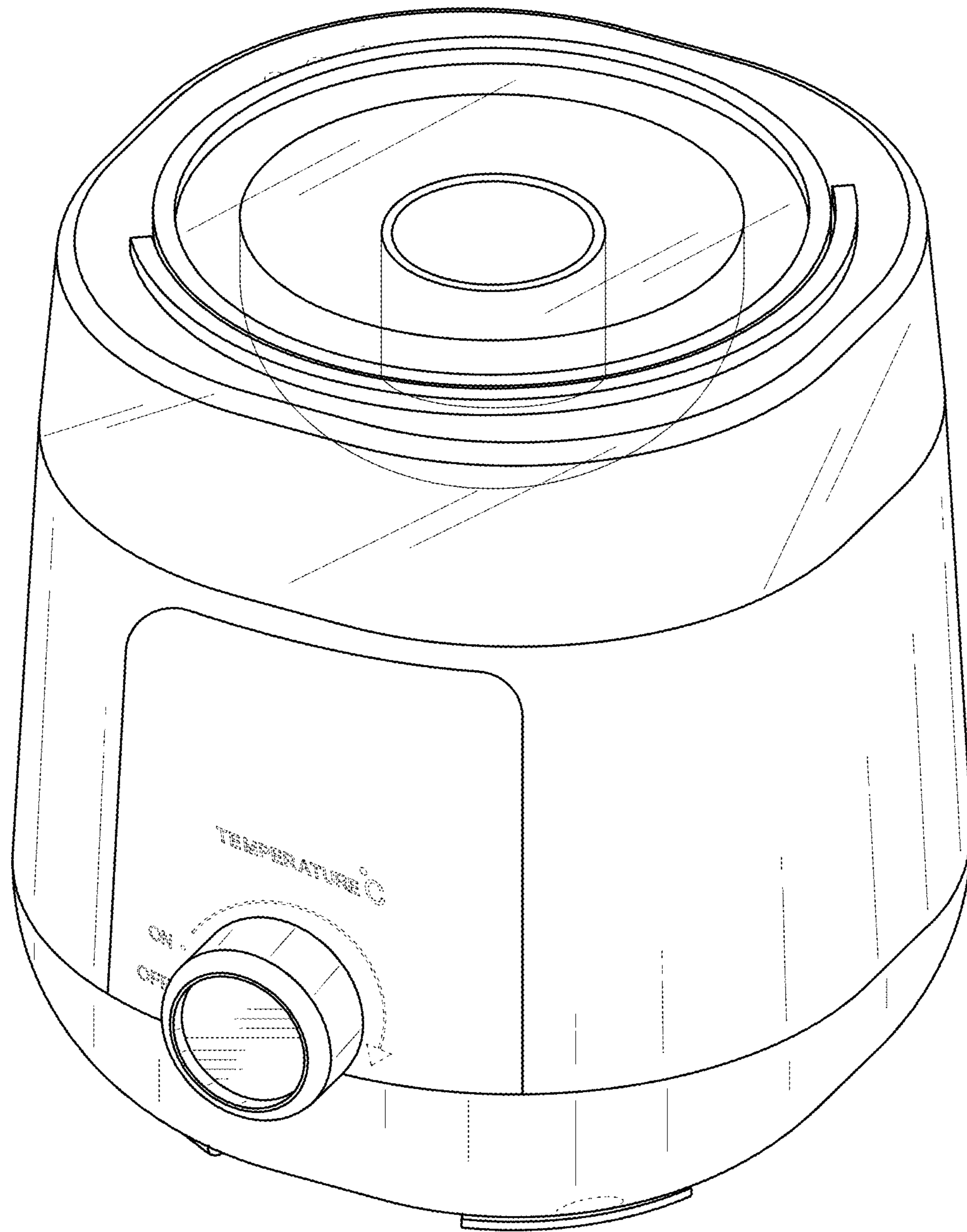


FIG. 1

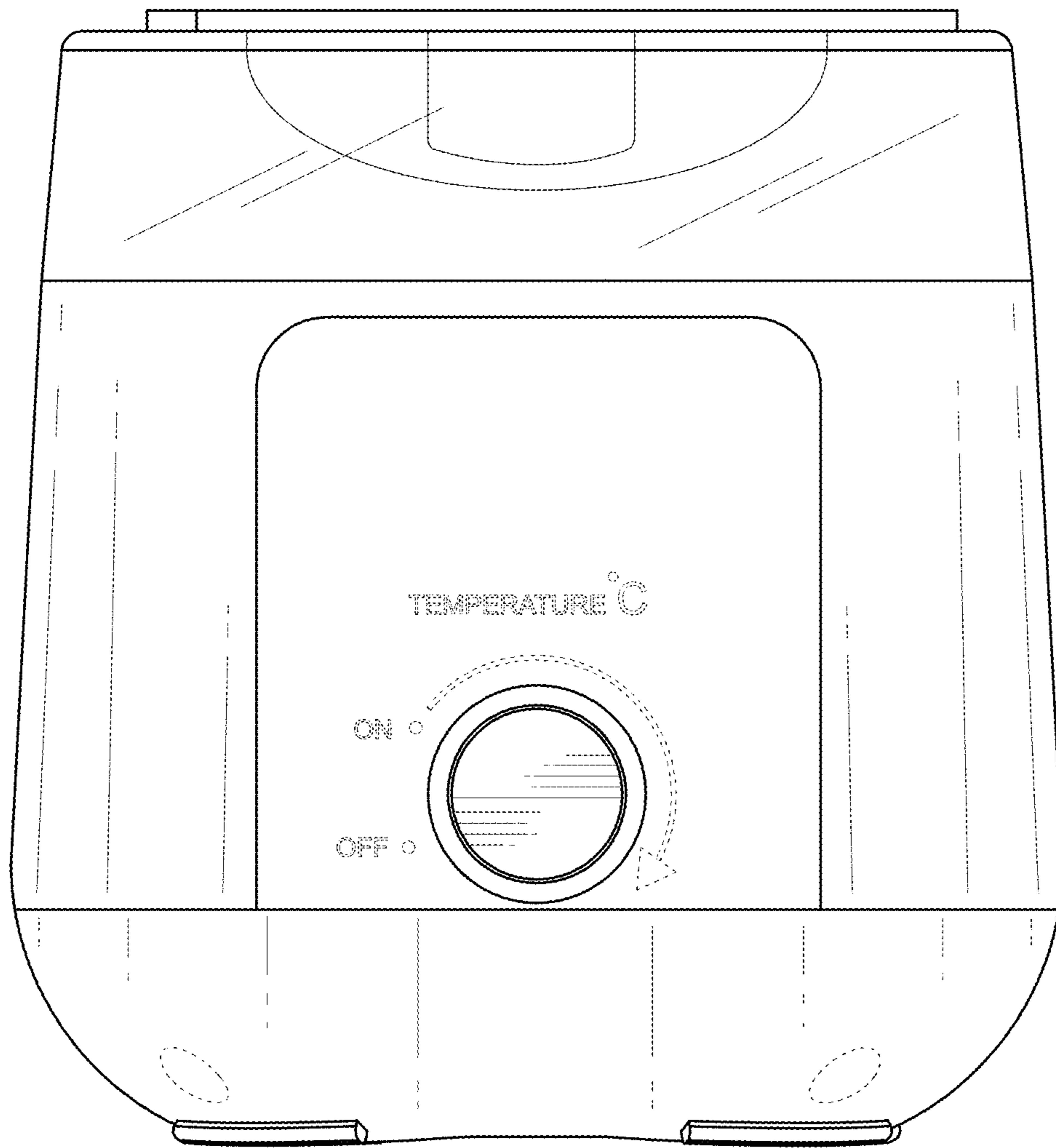


FIG. 2

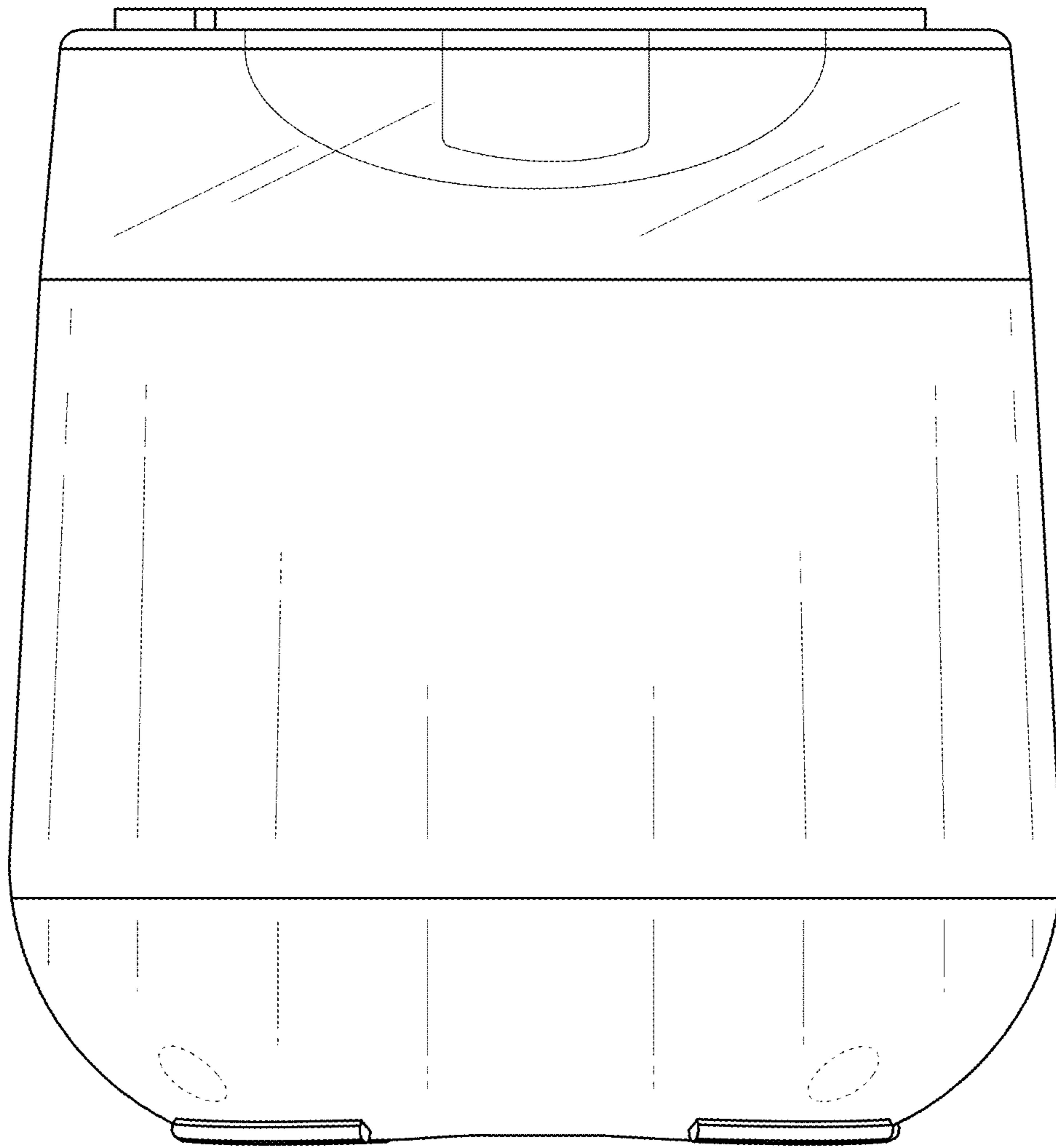


FIG. 3

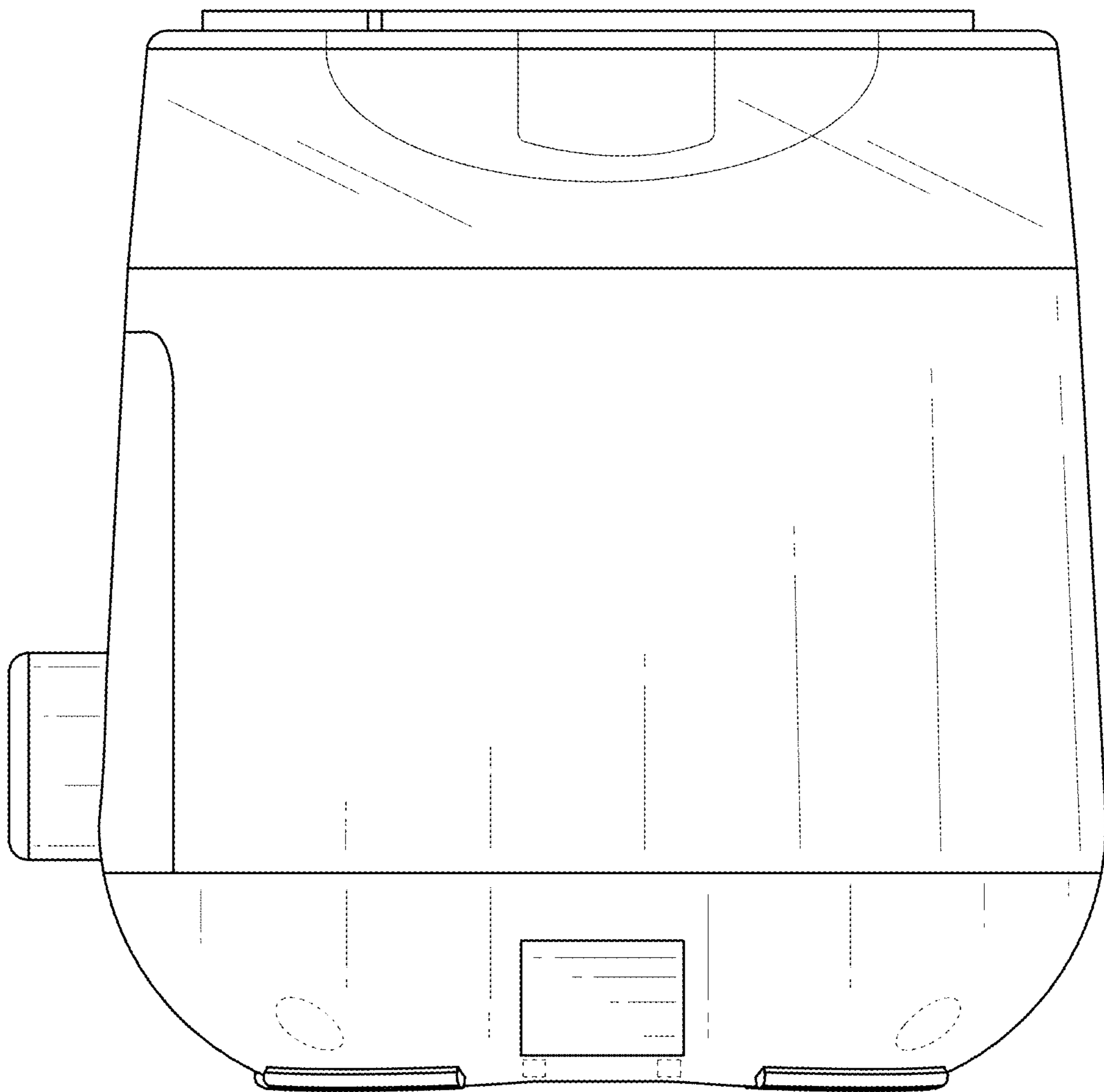


FIG. 4

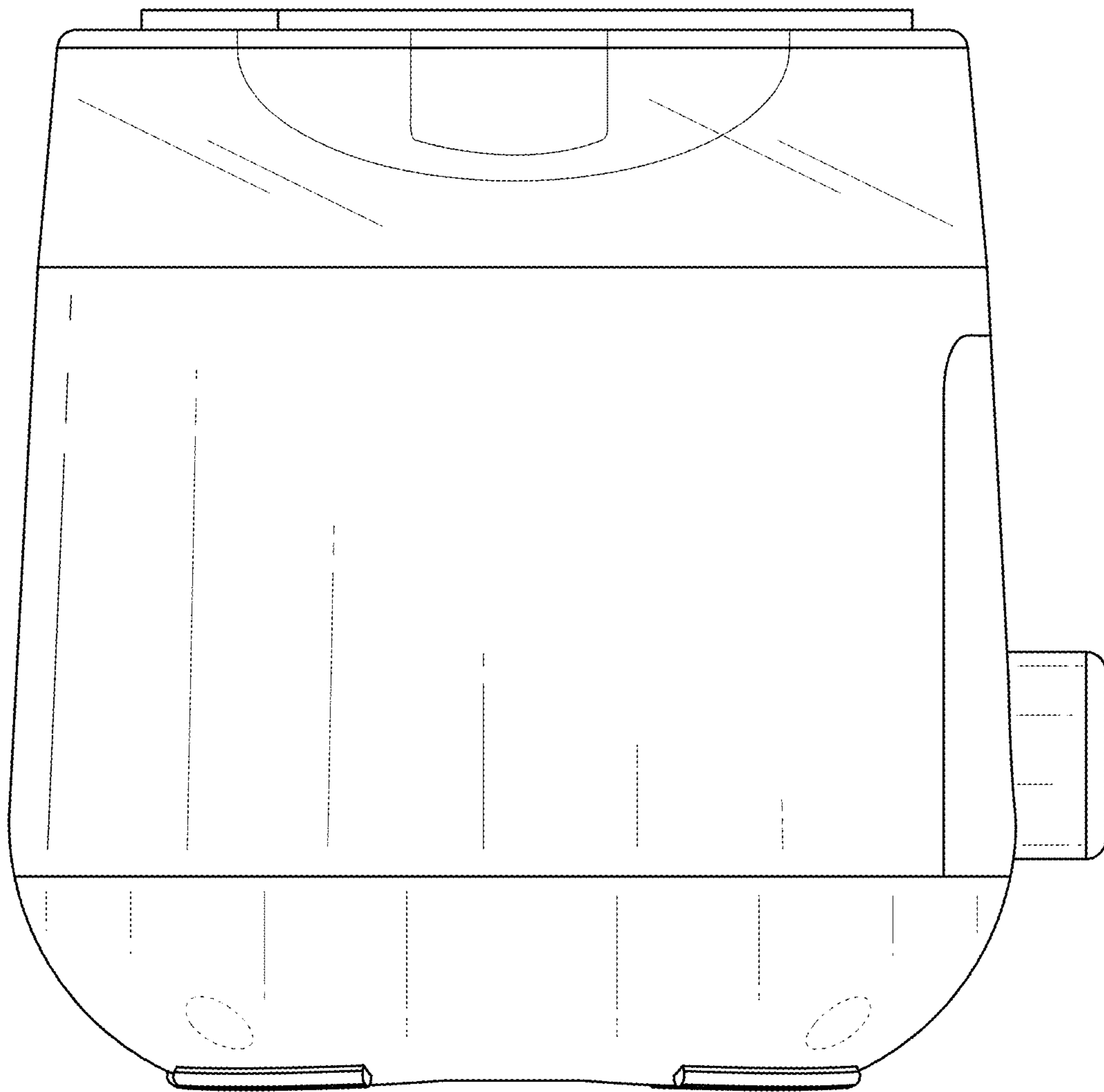


FIG. 5

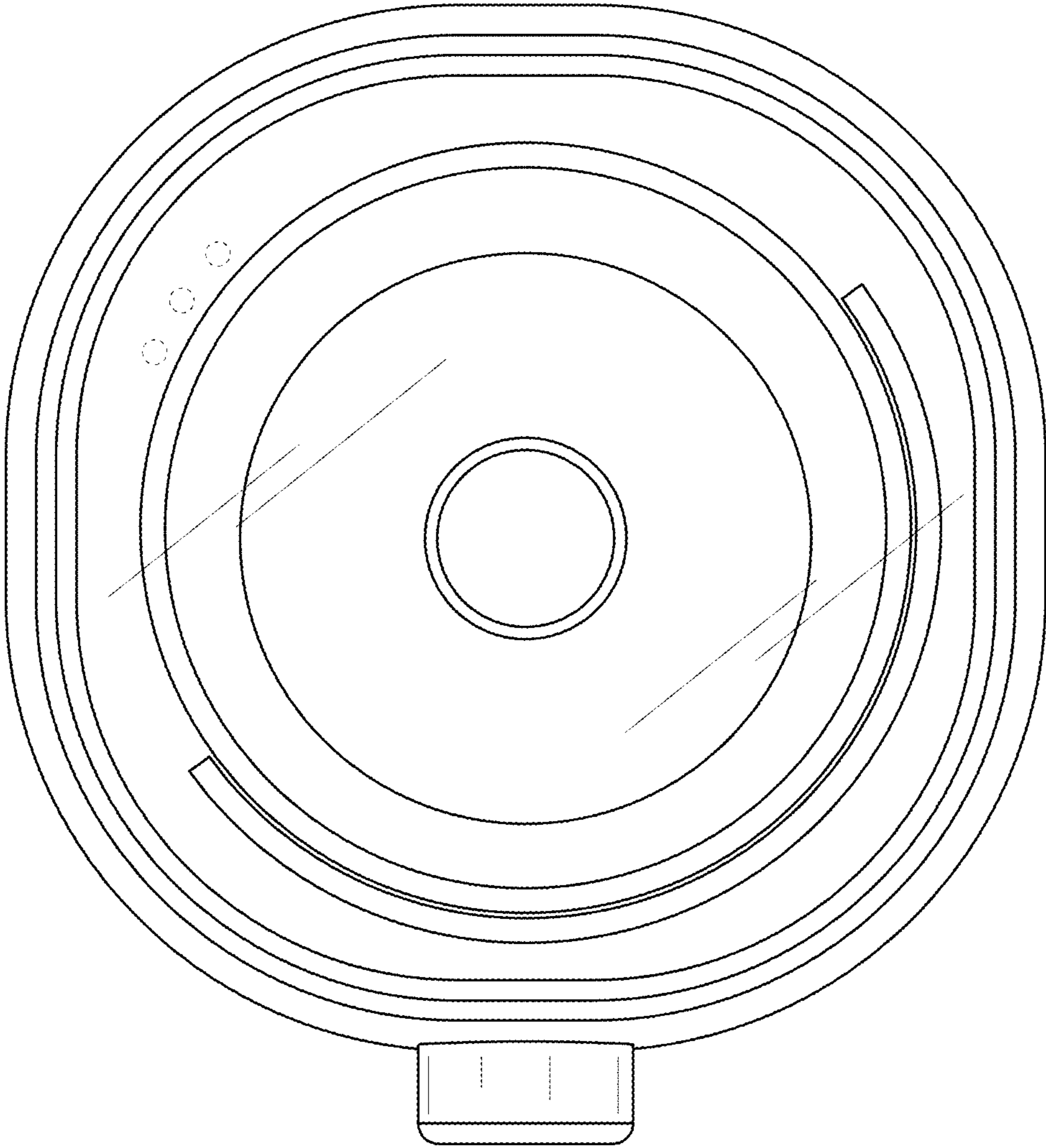


FIG. 6

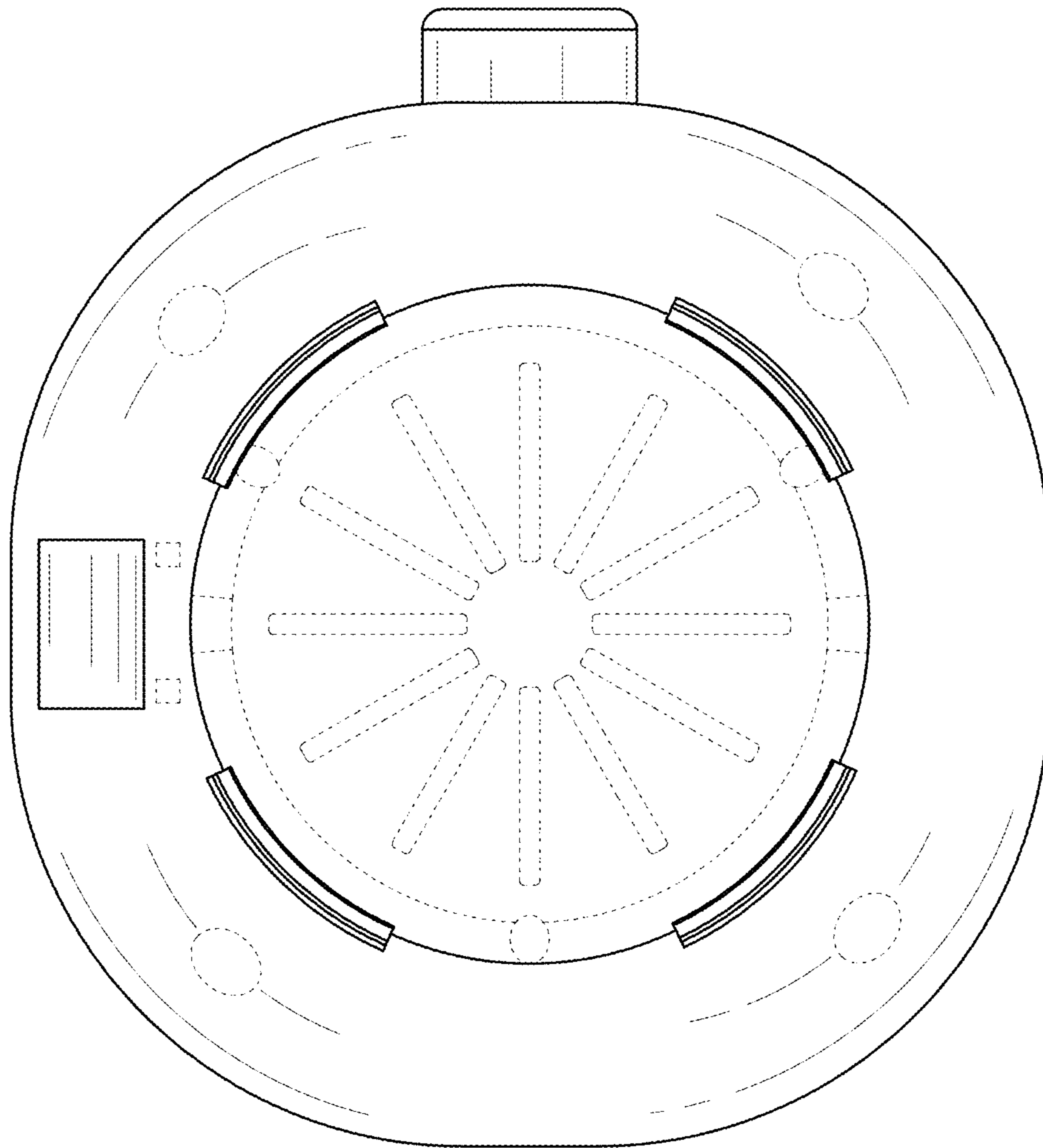


FIG. 7