



US00D965801S

(12) **United States Design Patent**
Cooper et al.

(10) **Patent No.: US D965,801 S**

(45) **Date of Patent: ** Oct. 4, 2022**

(54) **PRESSURE APPLICATION DEVICE**

(71) Applicants: **Melody Cooper**, West Vancouver (CA);
Paul Rivas, West Vancouver (CA)

(72) Inventors: **Melody Cooper**, West Vancouver (CA);
Paul Rivas, West Vancouver (CA)

(73) Assignee: **Melody Cooper**, West Vancouver (CA)

(**) Term: **15 Years**

(21) Appl. No.: **29/732,876**

(22) Filed: **Apr. 28, 2020**

Related U.S. Application Data

(66) Substitute for application No. 15/721,399, filed on
Sep. 29, 2017, now abandoned.

(51) **LOC (13) Cl.** **28-03**

(52) **U.S. Cl.**
USPC **D24/200**

(58) **Field of Classification Search**

USPC D24/200, 211, 214–215; D8/354;
D10/113.2; D20/10; D25/21, 113;
D21/386, 491, 500, 505
CPC A61H 1/008; A61H 7/001; A61H 7/002;
A61H 7/003; A61H 7/007; A61H 15/00;
A61H 15/0092; A61H 39/00; A61H
39/02; A61H 39/04; A61H 2201/0157;
A61H 2205/00; A61H 2205/081; A61H
2205/084

See application file for complete search history.

(56) **References Cited**

U.S. PATENT DOCUMENTS

D326,327 S * 5/1992 Sue D24/200
D518,576 S * 4/2006 Sevier D24/200

2005/0165450 A1* 7/2005 Perez-Torrens A61H 7/001
601/134
2008/0004554 A1* 1/2008 Smith A61H 7/001
601/134
2009/0105620 A1* 4/2009 Wolfe A61H 7/001
601/135
2019/0099327 A1* 4/2019 Cooper A61H 7/002

* cited by examiner

Primary Examiner — Wan Laymon

(74) *Attorney, Agent, or Firm* — Stratford Group Ltd.

(57) **CLAIM**

The ornamental design for a pressure activation device, as
shown and described.

DESCRIPTION

FIG. 1 is a perspective top view of the “pressure application
device” with a rounded contact point at the top vertex of the
device;

FIG. 2 is a front side view of the “pressure application
device”, the front side view is a mirror image of the rear side
view, the right side view and the left side view;

FIG. 3 is a top view of the “pressure application device”;

FIG. 4 is a bottom view of the “pressure application device”;

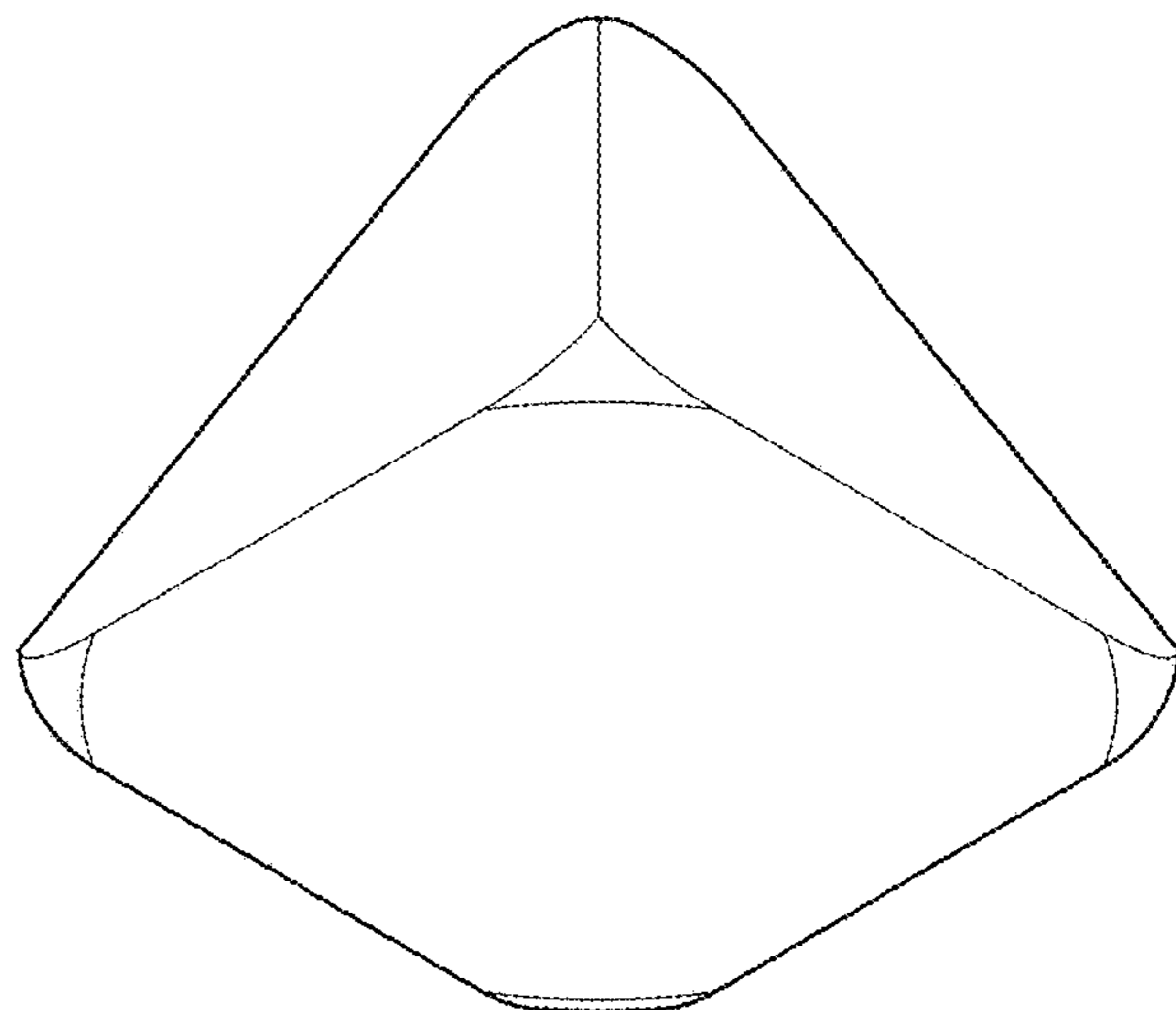
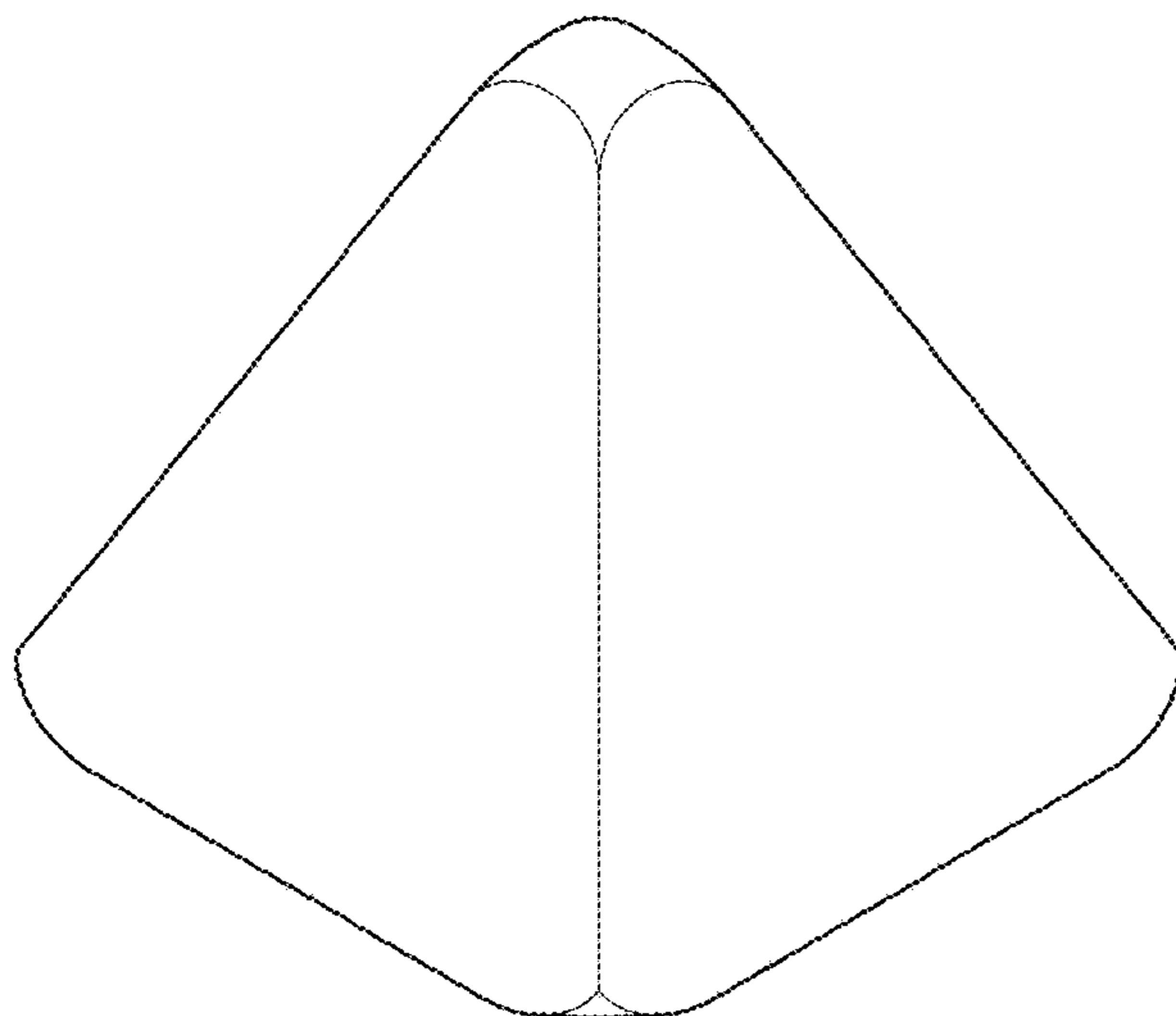
FIG. 5 is a perspective bottom view of the “pressure
application device” with rounded corners along the base of
the device;

FIG. 6 is a perspective bottom view of the “pressure
application device” with a flat bottom trim transitioning each
side of the device to the base of the device;

FIG. 7 is a perspective bottom view of the “pressure
application device” with pointed corners along the base of
the device; and,

FIG. 8 is a perspective top view of the “pressure application
device” with a rounded contact point at the top vertex of the
device and a pointed tip and a flat bottom trim transitioning
each side of the device to the base of the device.

1 Claim, 8 Drawing Sheets



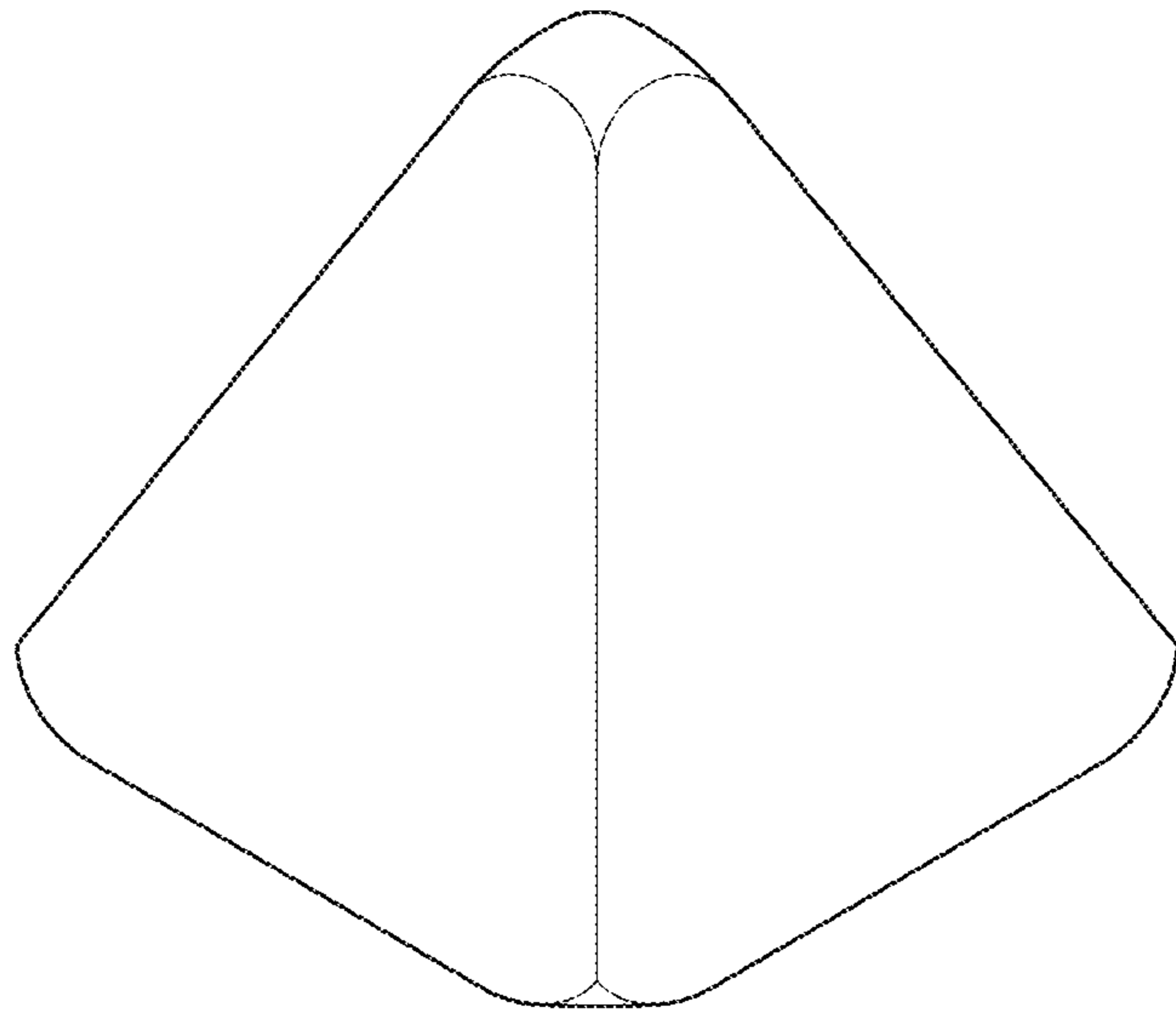


FIG. 1

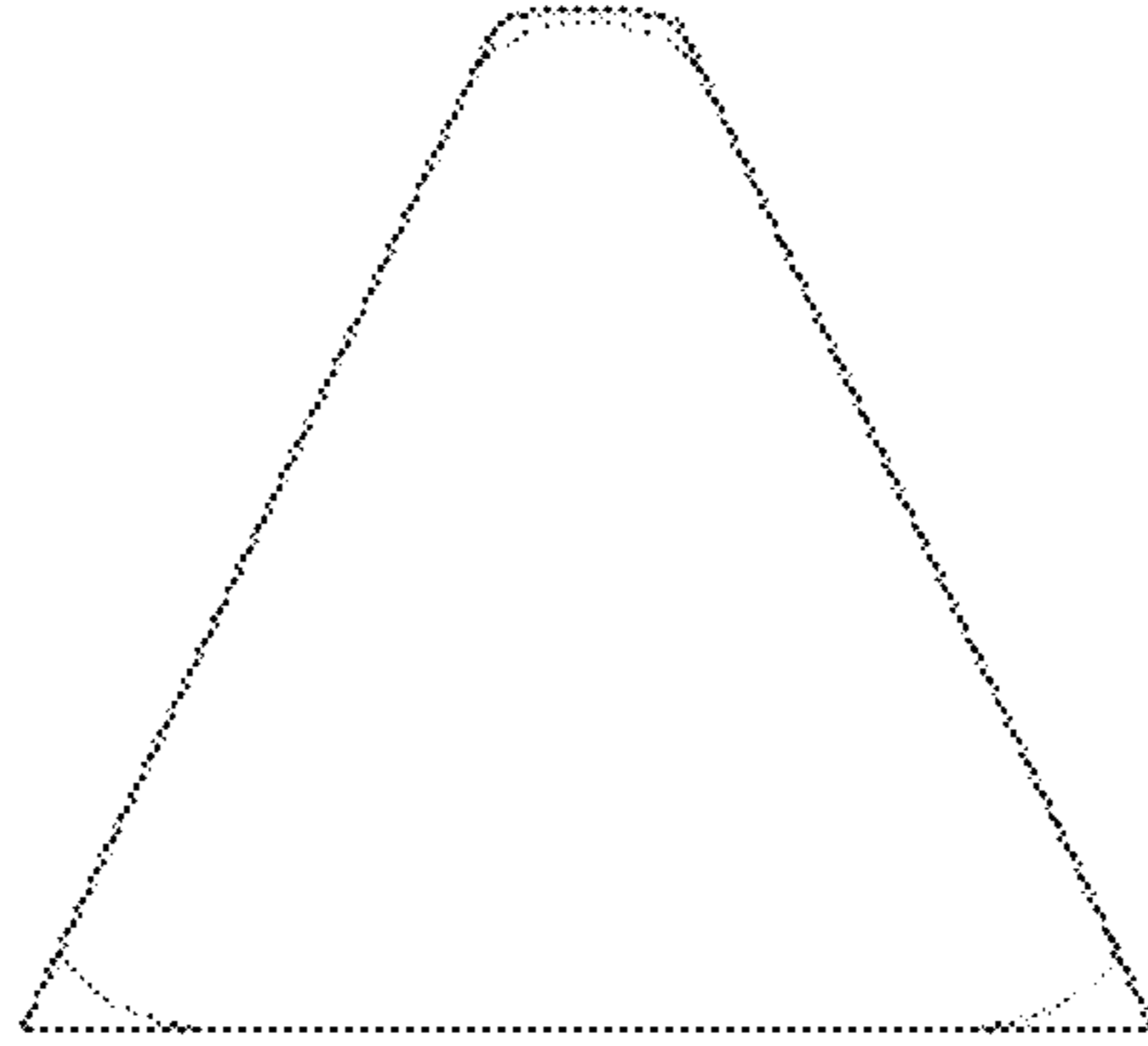


FIG. 2

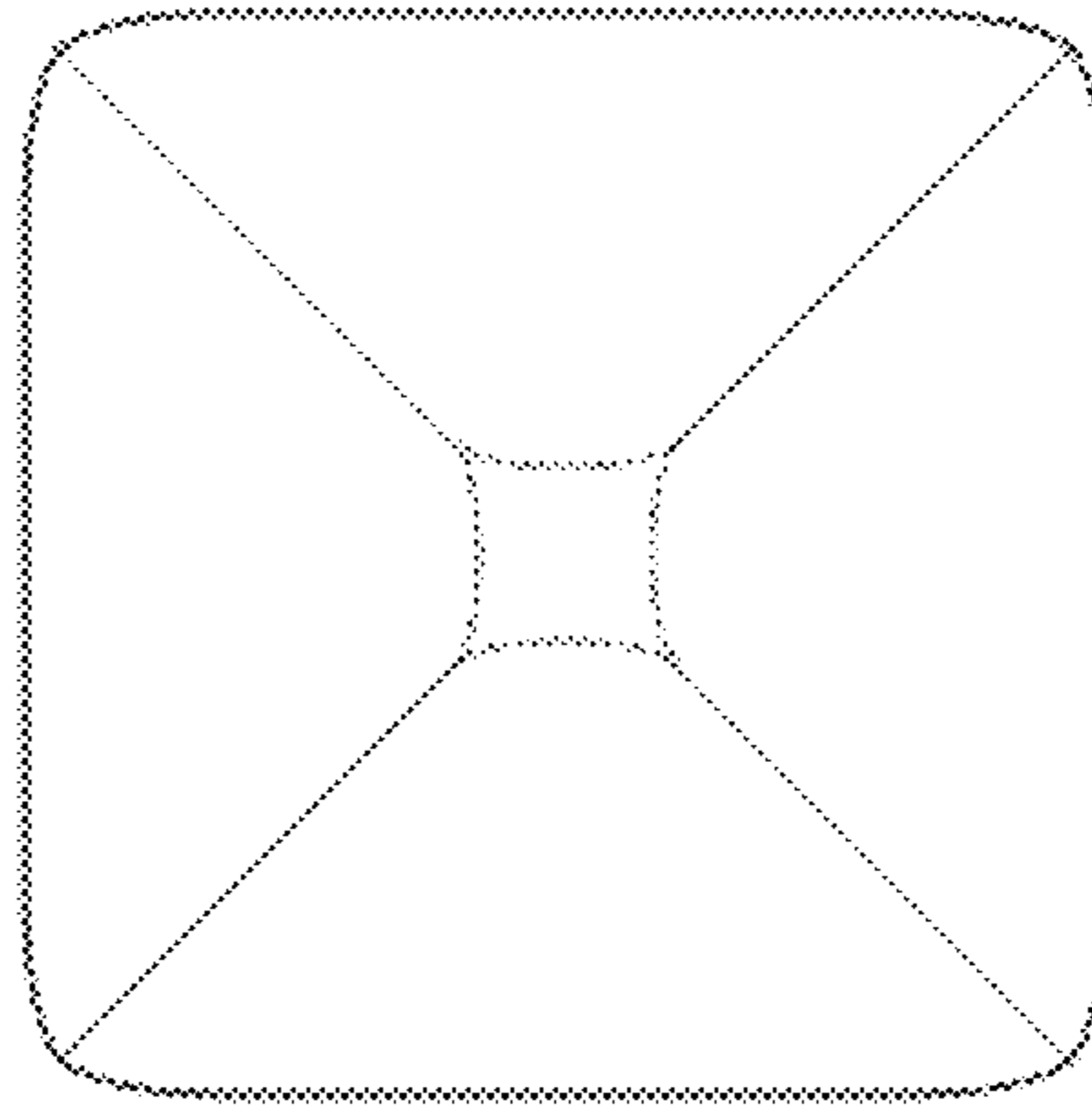


FIG. 3

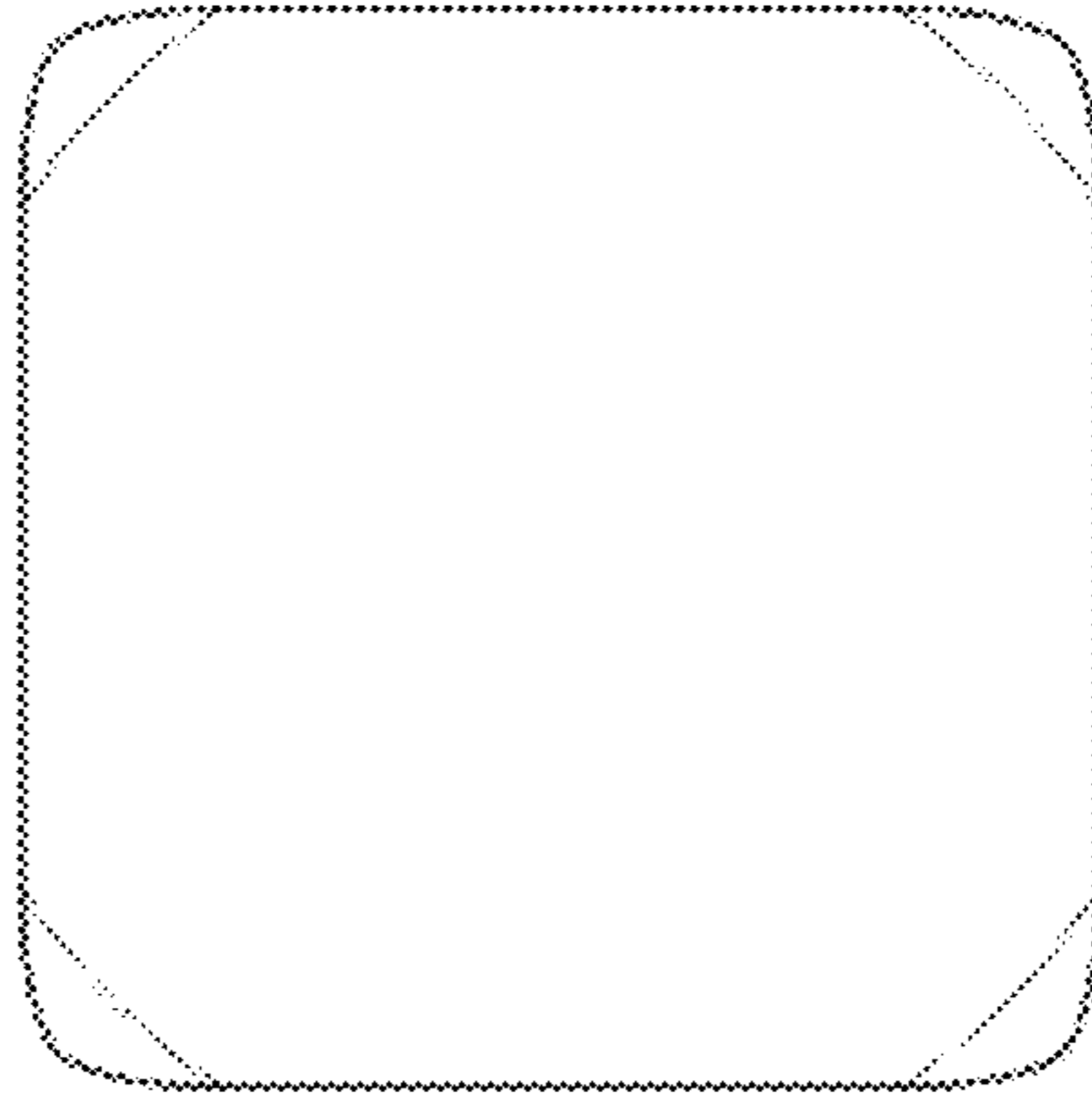


FIG. 4

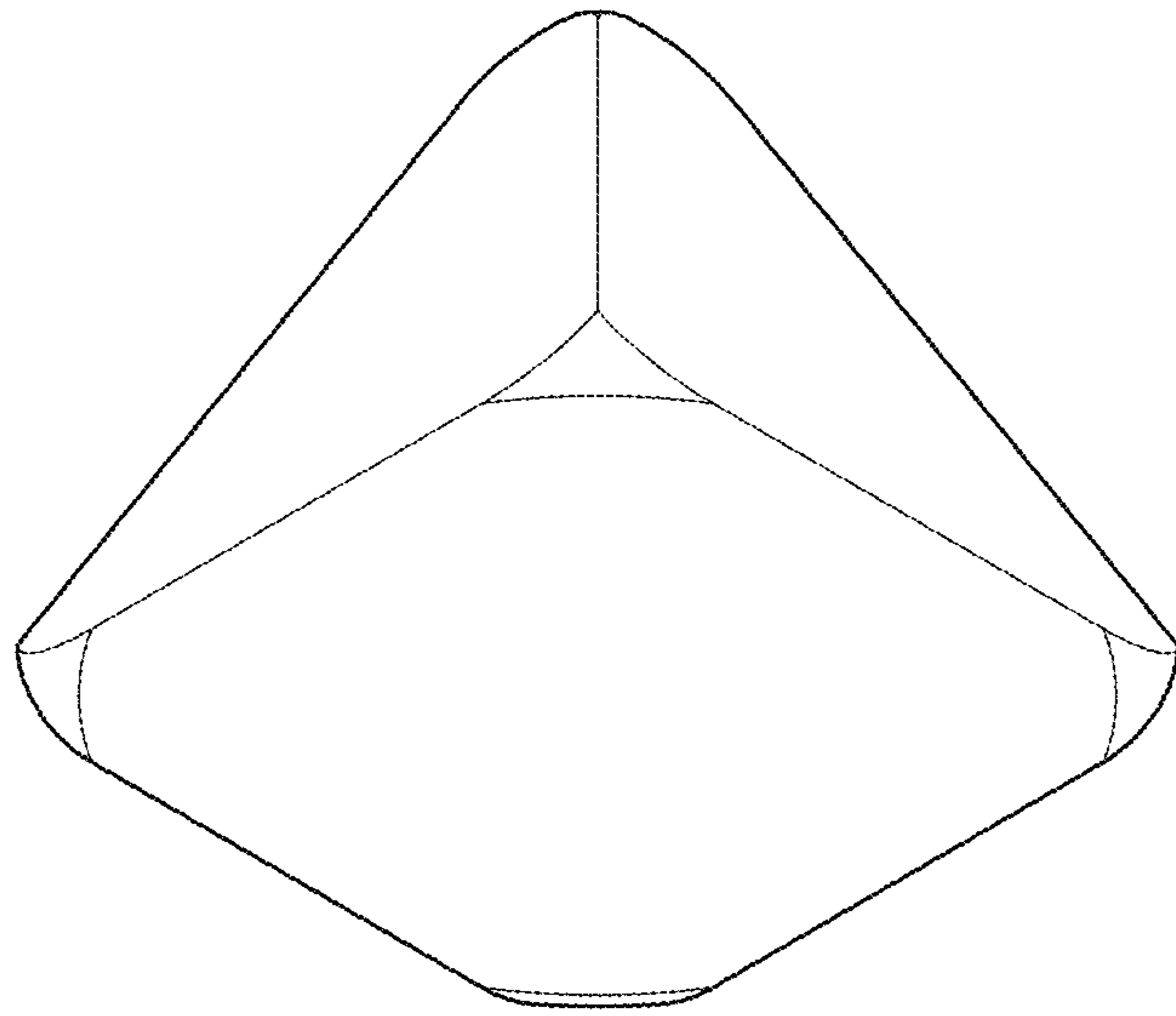


FIG. 5

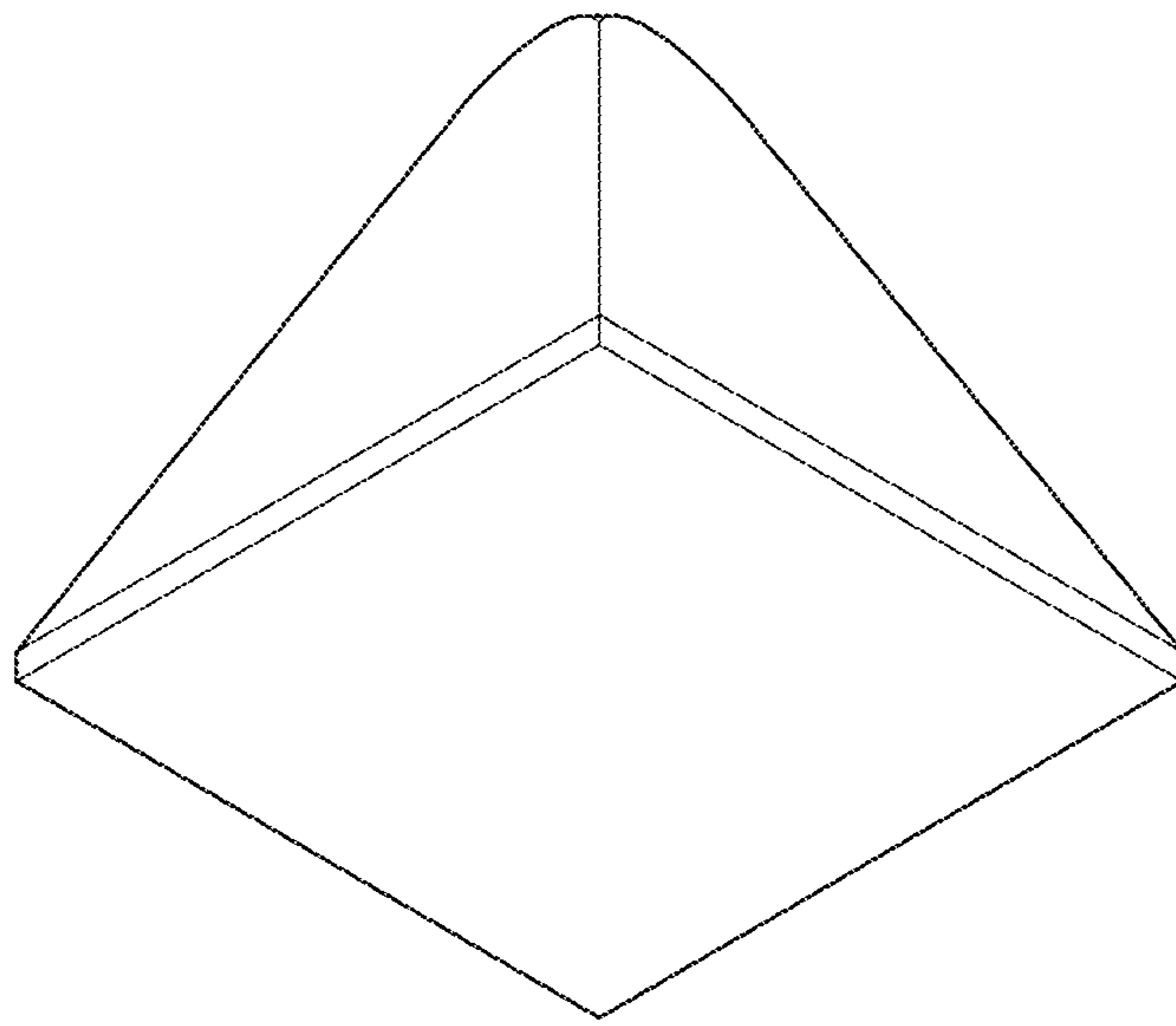


FIG. 6

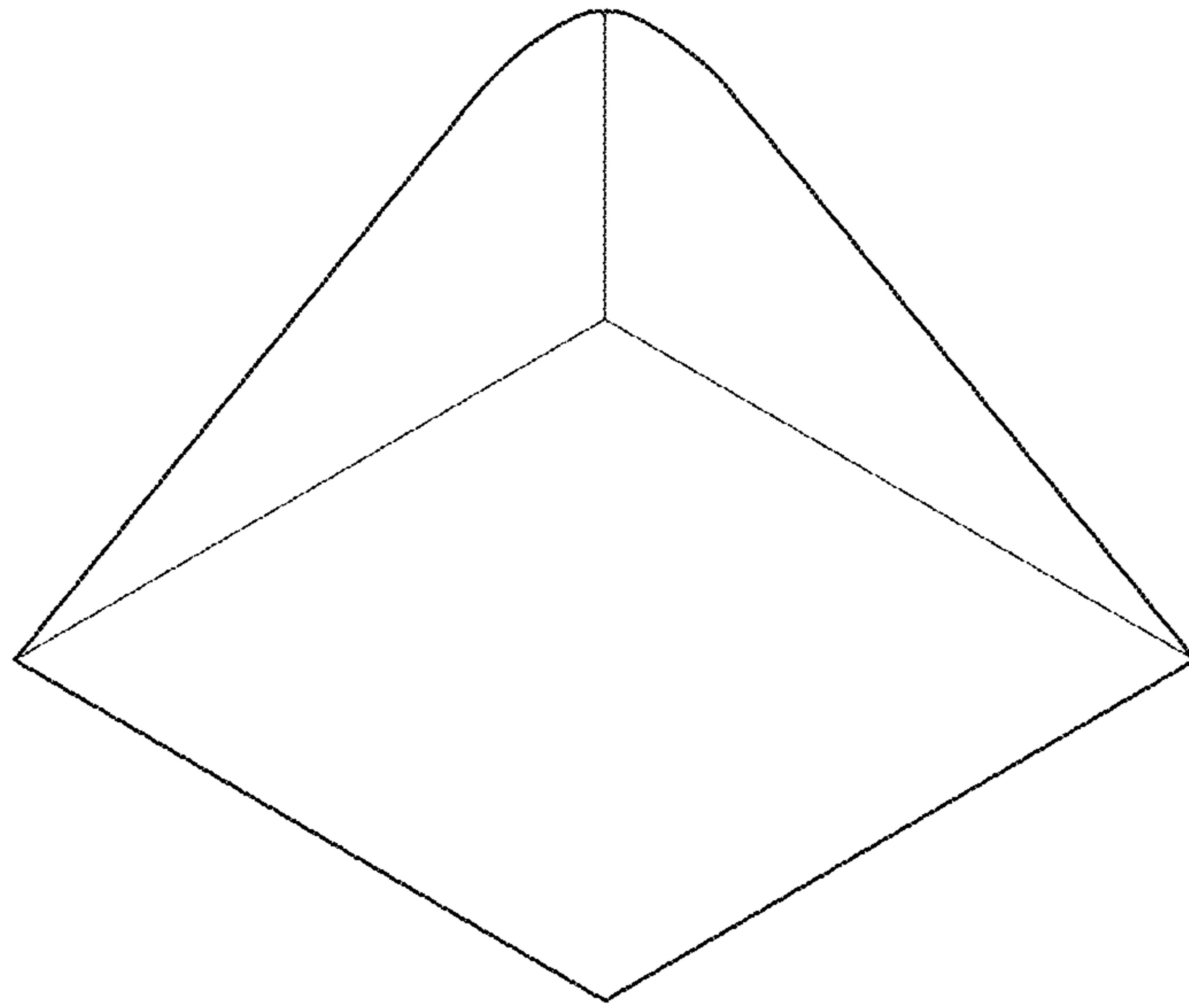


FIG. 7

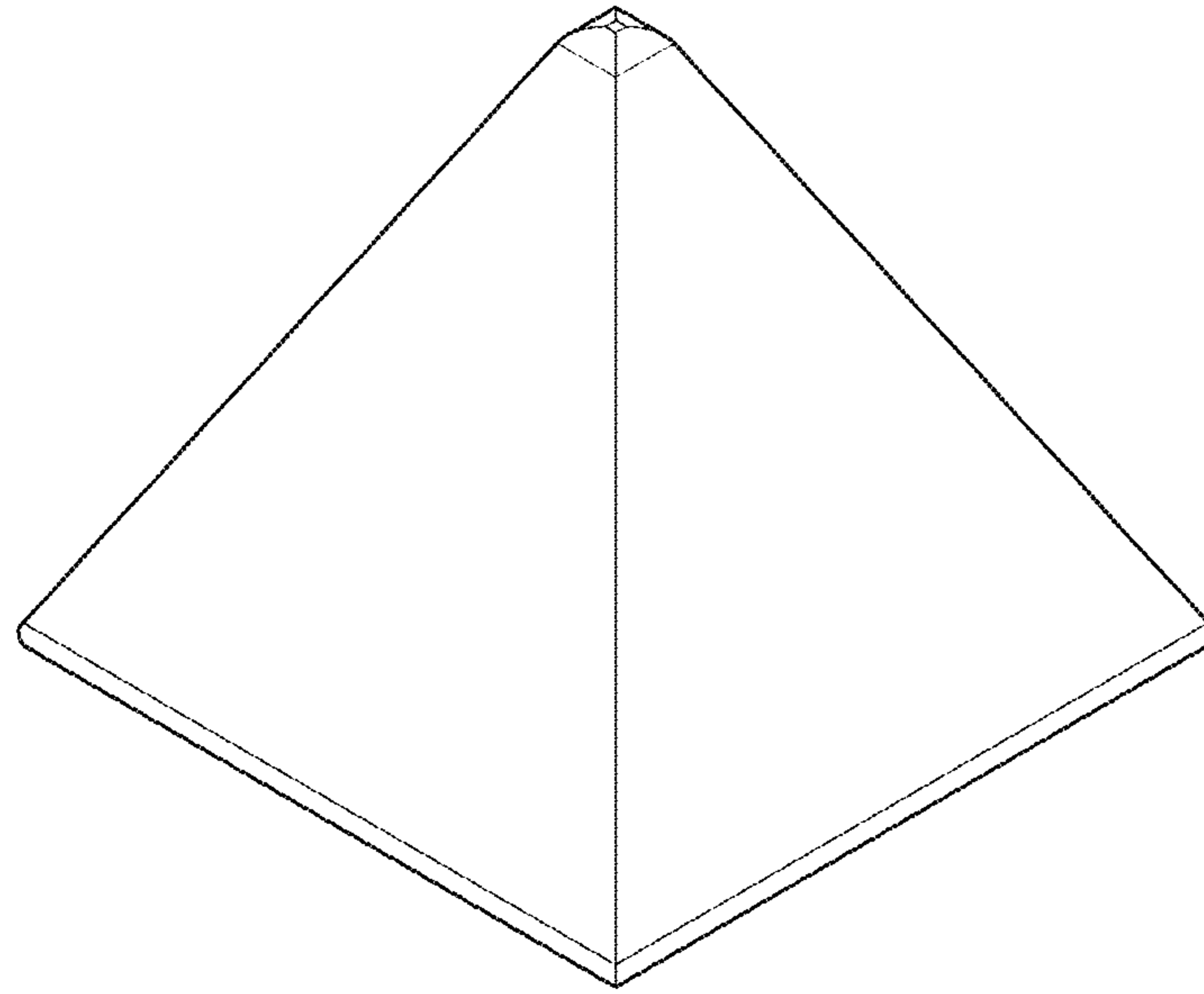


FIG. 8