



US00D965800S

(12) **United States Design Patent** (10) **Patent No.:** **US D965,800 S**
Eckman et al. (45) **Date of Patent:** **** Oct. 4, 2022**

(54) **BABY TEETHER**

(71) Applicants: **Joyce Eckman**, Clarksville, MI (US);
Carroll Eckman, Clarksville, MI (US)

(72) Inventors: **Joyce Eckman**, Clarksville, MI (US);
Carroll Eckman, Clarksville, MI (US)

(**) Term: **15 Years**

(21) Appl. No.: **29/687,911**

(22) Filed: **Apr. 17, 2019**

(51) **LOC (13) Cl.** **24-04**

(52) **U.S. Cl.**
USPC **D24/195**

(58) **Field of Classification Search**
USPC D24/193, 194, 195, 115, 117, 214;
D1/101, 104, 106, 107, 199; D21/576,
D21/584, 606, 607; D3/293, 301;
D30/160

CPC A61J 17/001; A61J 17/00; A61J 17/02;
A61J 17/008; A01K 15/026

See application file for complete search history.

(56) **References Cited**

U.S. PATENT DOCUMENTS

3,825,014	A *	7/1974	Wroten	A61J 17/001 606/236
D295,073	S *	4/1988	Ford	D24/194
D335,929	S *	5/1993	Cunningham	D24/194
6,436,125	B1 *	8/2002	Rhoads	A61J 17/001 606/234
D480,147	S *	9/2003	Sanbrook	D24/193
D547,456	S *	7/2007	Ramos	D24/194
D547,874	S *	7/2007	Horie	D24/194
D574,963	S *	8/2008	Kliegman	D24/194
D674,495	S *	1/2013	Roehrig	D24/194
D700,344	S *	2/2014	Jackson-Berry	D24/194
2016/0074287	A1 *	3/2016	Wang	A61J 7/0053 604/77
2017/0326037	A1 *	11/2017	Molina	A61J 17/001
2018/0104159	A1 *	4/2018	Bredemeier	B29C 43/42

OTHER PUBLICATIONS

“Innobaby Teethin’ Smart Ez Grip Teether”. Found online Mar. 31, 2020 at amazon.co.uk. Reference dated Jul. 10, 2014. Retrieved from https://www.amazon.co.uk/innobaby-Teethin-Smart-Teether-Grape/dp/B00LOCF8AA/ref=sr_1_2?keywords=grape+teether&qid=1585697456&sr=8-2.*

“Assots: Wooden Peg People Nesting Set”. Found online Mar. 10, 2021 at amazon.co.uk. Reference dated Oct. 17, 2018. Retrieved from https://www.amazon.co.uk/REFURBISHHOUSE-Wooden-People-Nesting-Montessori/dp/B07JWFK9MC/ref=pd_sbs_3?.*

“Ali+Oli: Modern Pacifier, 0-6 Months”. Found online Apr. 20, 2020 at amazon.com. Reference dated Nov. 26, 2019. Retrieved from https://www.amazon.com/Ali-Oli-Pacifier-Silicone-Chupetes/dp/B07Y7LKQFV/ref=cm_cr_arp_d_product_top?ie=UTF8&th=1.*

“Honey-Can-Do: Traditional Clothes Pin”. Found online Mar. 10, 2021 at amazon.co.uk. Reference dated Nov. 1, 2013. Retrieved from https://www.amazon.co.uk/Honey-Can-Do-DRY-01389-Traditional-Clothespins-100-Pack/dp/B002CH12E2/ref=sr_1_106?.*

* cited by examiner

Primary Examiner — Kendra Leslie Hamilton

(74) *Attorney, Agent, or Firm* — Christopher J. VanDam, PA; Chris Van Dam

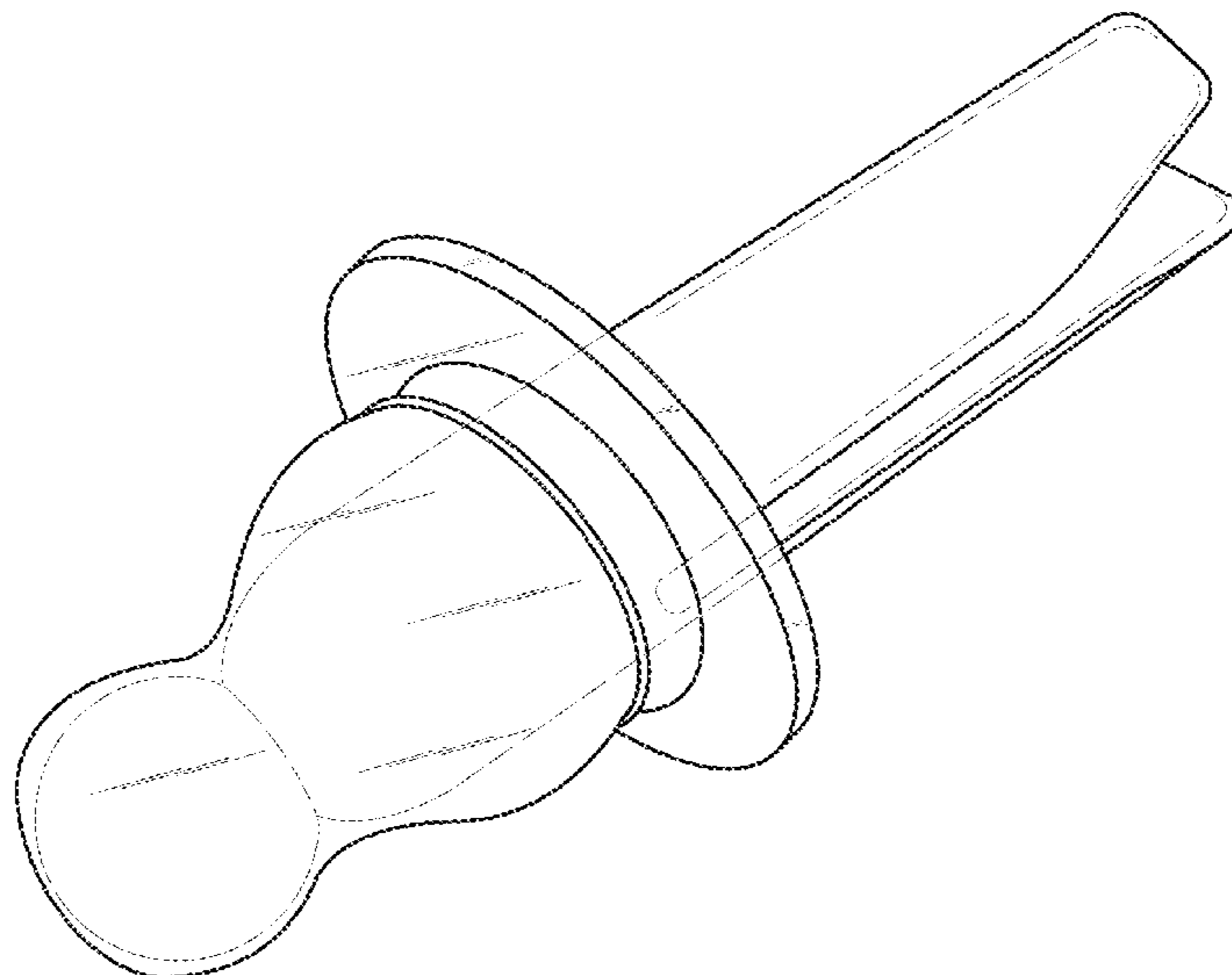
(57) **CLAIM**

The ornamental design for a baby teether, as shown and described.

DESCRIPTION

FIG. 1 is a front elevation view of a baby teether, showing our new design;
FIG. 2 is a top, front, left perspective view thereof;
FIG. 3 is a top plan view thereof; and,
FIG. 4 is a bottom plan view thereof.

1 Claim, 3 Drawing Sheets



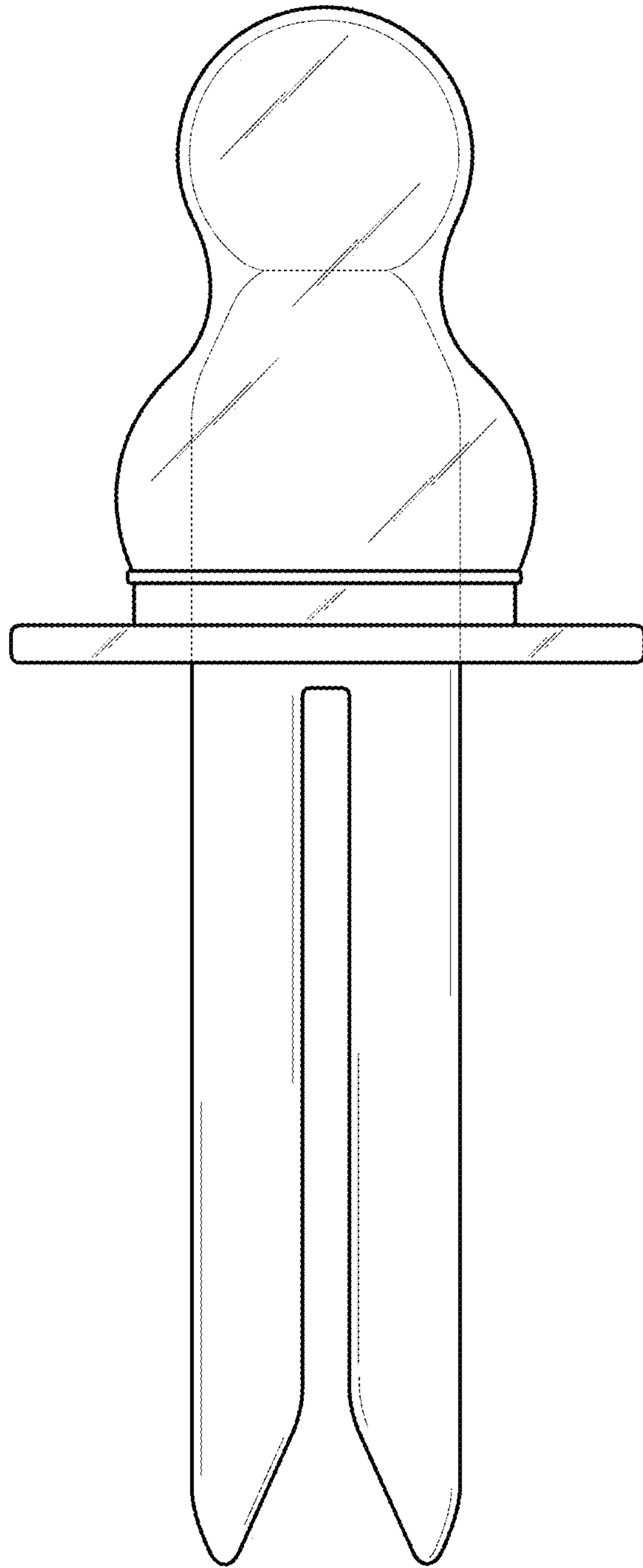


FIG. 1

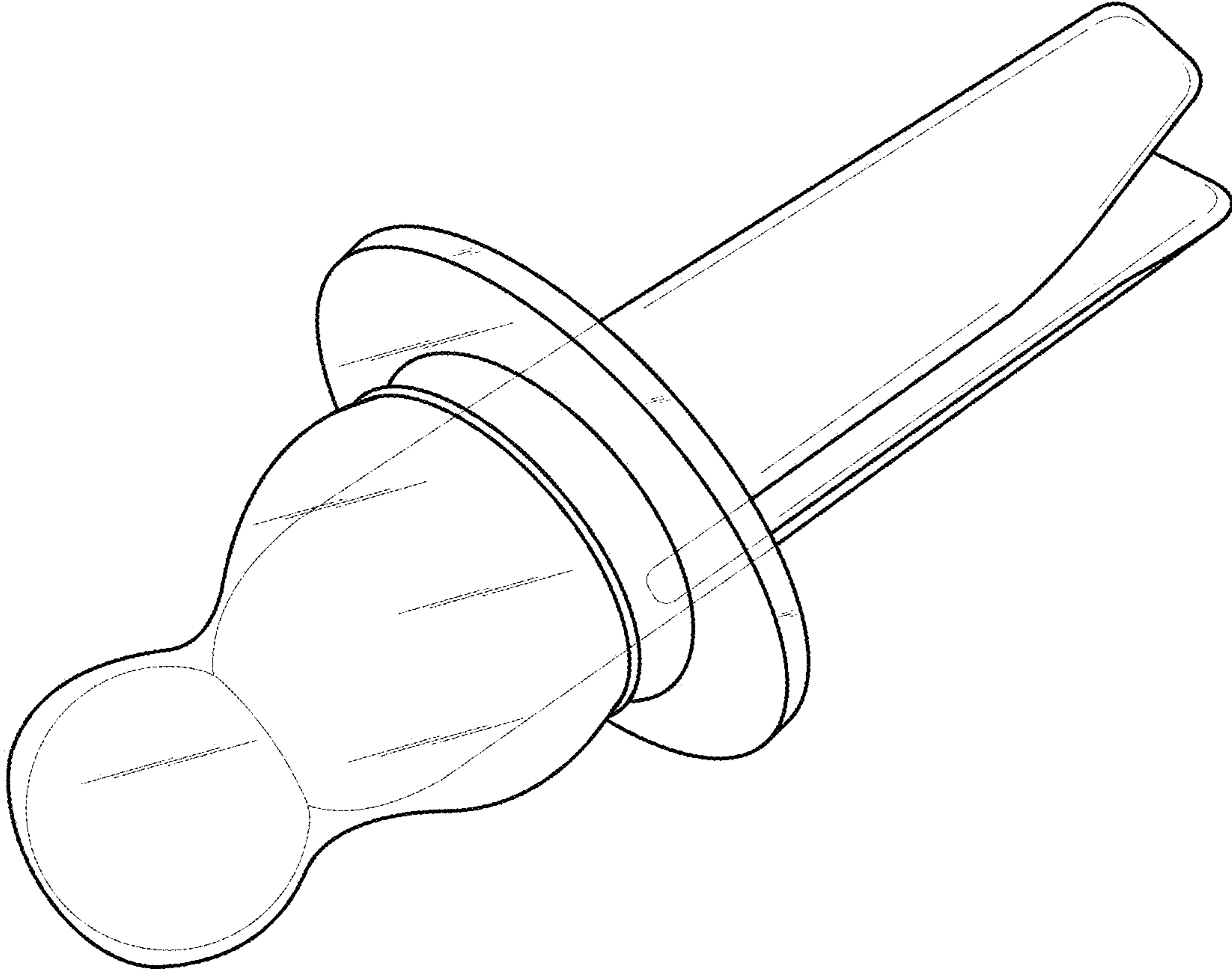


FIG. 2

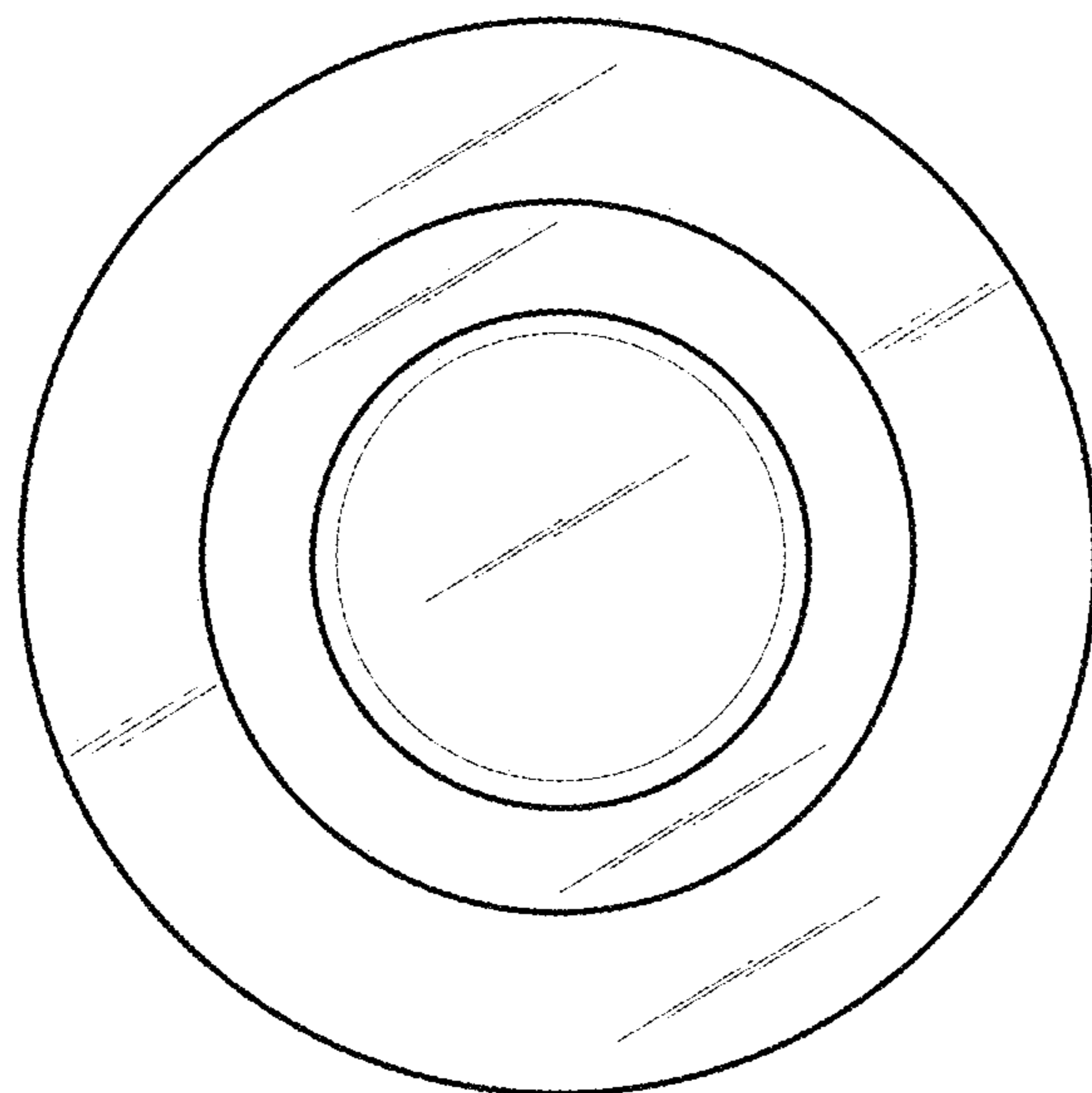


FIG. 3

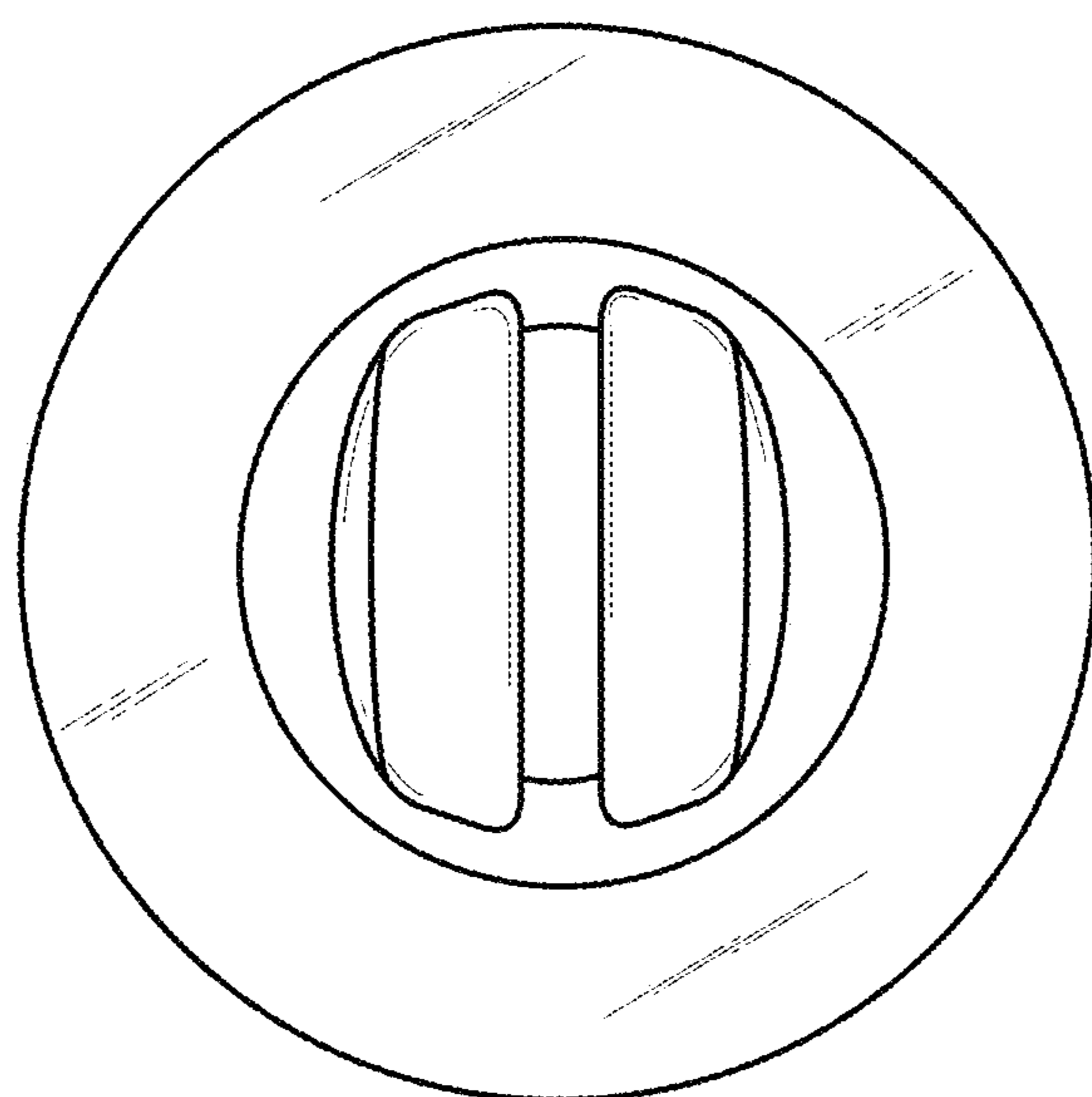


FIG. 4