



US00D965799S

(12) **United States Design Patent** (10) **Patent No.:** **US D965,799 S**
Larsen (45) **Date of Patent:** **** Oct. 4, 2022**

(54) **PACIFIER HOLDER**

(71) Applicant: **AH License ApS**, Hillerød (DK)

(72) Inventor: **Henrik Larsen**, Hillerød (DK)

(**) Term: **15 Years**

(21) Appl. No.: **35/512,447**

(22) Filed: **Jun. 29, 2021**

(80) **Hague Agreement Data**

Int. Filing Date: **Jun. 29, 2021**

Int. Reg. No.: **DM/215879**

Int. Reg. Date: **Jun. 29, 2021**

Int. Reg. Pub. Date: **Aug. 27, 2021**

(51) **LOC (13) Cl.** **24-04**

(52) **U.S. Cl.**

USPC **D24/194; D3/295**

(58) **Field of Classification Search**

USPC D24/115, 117, 193, 194, 195, 196, 199,
D24/214; D30/160; D3/274, 288, 293,
D3/294, 295, 301, 302

CPC A61J 17/113; A61J 17/111

See application file for complete search history.

(56) **References Cited**

U.S. PATENT DOCUMENTS

4,417,613 A * 11/1983 Ryan A61J 17/113
220/4.23
4,493,324 A * 1/1985 Johnston A61J 17/113
606/236
D473,054 S * 4/2003 Roehrig D3/295
D491,364 S * 6/2004 Vish D3/218
D581,540 S * 11/2008 Nielsen D24/194
D755,400 S * 5/2016 Melvin D24/194
D806,389 S * 1/2018 Muhlenkamp, IV D3/295
D865,362 S * 11/2019 Schafer B65D 85/02
D3/302
D910,860 S * 2/2021 Villano D24/194
D952,873 S * 5/2022 Park D24/195
D958,380 S * 7/2022 Peng D24/194

(Continued)

OTHER PUBLICATIONS

“Suavinex: Duo Pacifer Holder”. Found online Dec. 29, 2021 at amazon.co.uk. Reference dated Jul. 28, 2014. Retrieved from https://www.amazon.co.uk/SUAVINEX-portachupete-DUO-2-U/dp/B008KL02UY/*

(Continued)

Primary Examiner — Kendra Leslie Hamilton

(57) **CLAIM**

The ornamental design for a pacifier holder, as shown and described.

DESCRIPTION

1. Pacifier holder

1.1 : top plan view of the pacifier holder, shown closed in a first configuration.

1.2 : bottom plan view, thereof.

1.3 : front elevation view, thereof.

1.4 : right side elevation view, thereof.

1.5 : top, front, right perspective view, thereof.

1.6 : sectional-elevation view, shown in the first configuration.

1.7 : sectional-perspective view, shown in the first configuration.

1.8 : top, left perspective view, shown open in a second configuration with interior element inverted.

1.9 : right side elevation view, thereof.

1.10 : top plan view, shown in the second configuration with interior element removed for clarity of disclosure.

1.11 : bottom plan view, thereof.

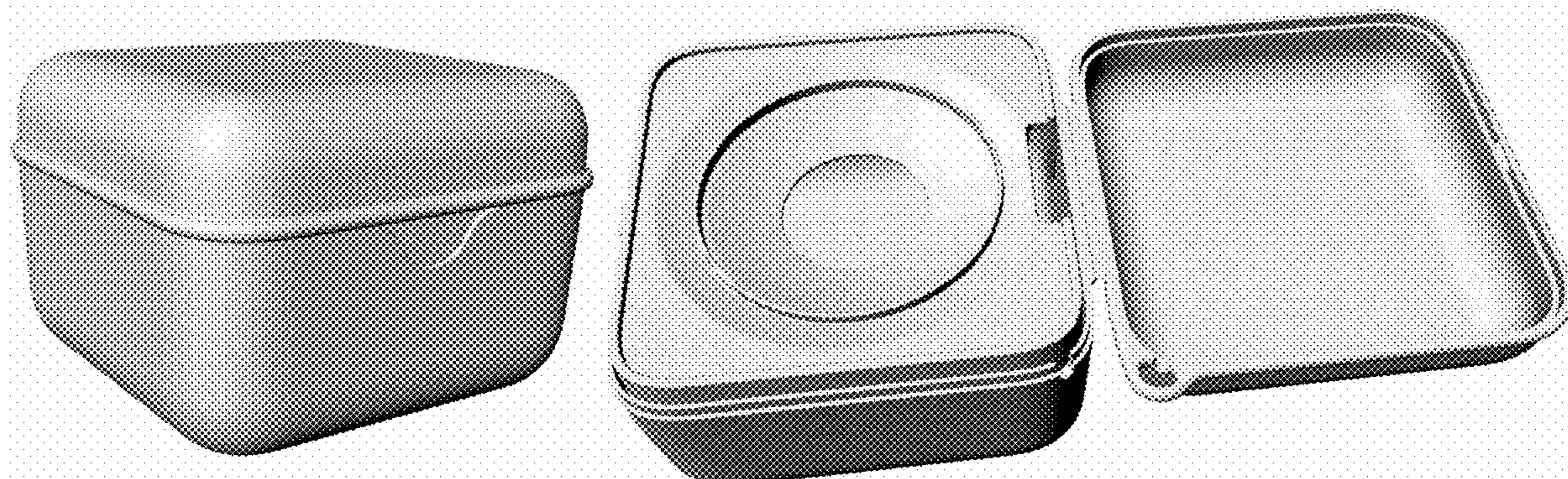
1.12 : top plan view, shown in the second configuration with interior element upright.

1.13 : top, front, right perspective view, thereof.

1.14 : top, front, right perspective view, shown in the second configuration with interior element inverted.

1.15 : top, front, right perspective view of the pacifier holder, shown exploded for clarity of disclosure.

1 Claim, 15 Drawing Sheets



(56)

References Cited

U.S. PATENT DOCUMENTS

2006/0226044 A1* 10/2006 Lobl A61J 17/113
206/438
2015/0272832 A1* 10/2015 Diamond A61J 17/111
606/236

OTHER PUBLICATIONS

“Diago: Pacifier Box (Pink Monkey)”. Found online Dec. 29, 2021 at amazon.co.uk. Reference dated Feb. 9, 2016. Retrieved from <https://www.amazon.co.uk/DIAGO-30078-74983-Soother-Pacifier-Monkey/dp/B012IHPPLQ/>.*

“Westone: Mini-Monitor Vault II—Hard-Sided Case for Ear-phones”. Found online Jul. 20, 2022 at amazon.com. Reference dated Jun. 1, 2014. Retrieved from <https://www.amazon.com/Westone-Mini-Monitor-Vault-Hard-Sided-Ear/dp/B00KZEQFO6?th=1>.*

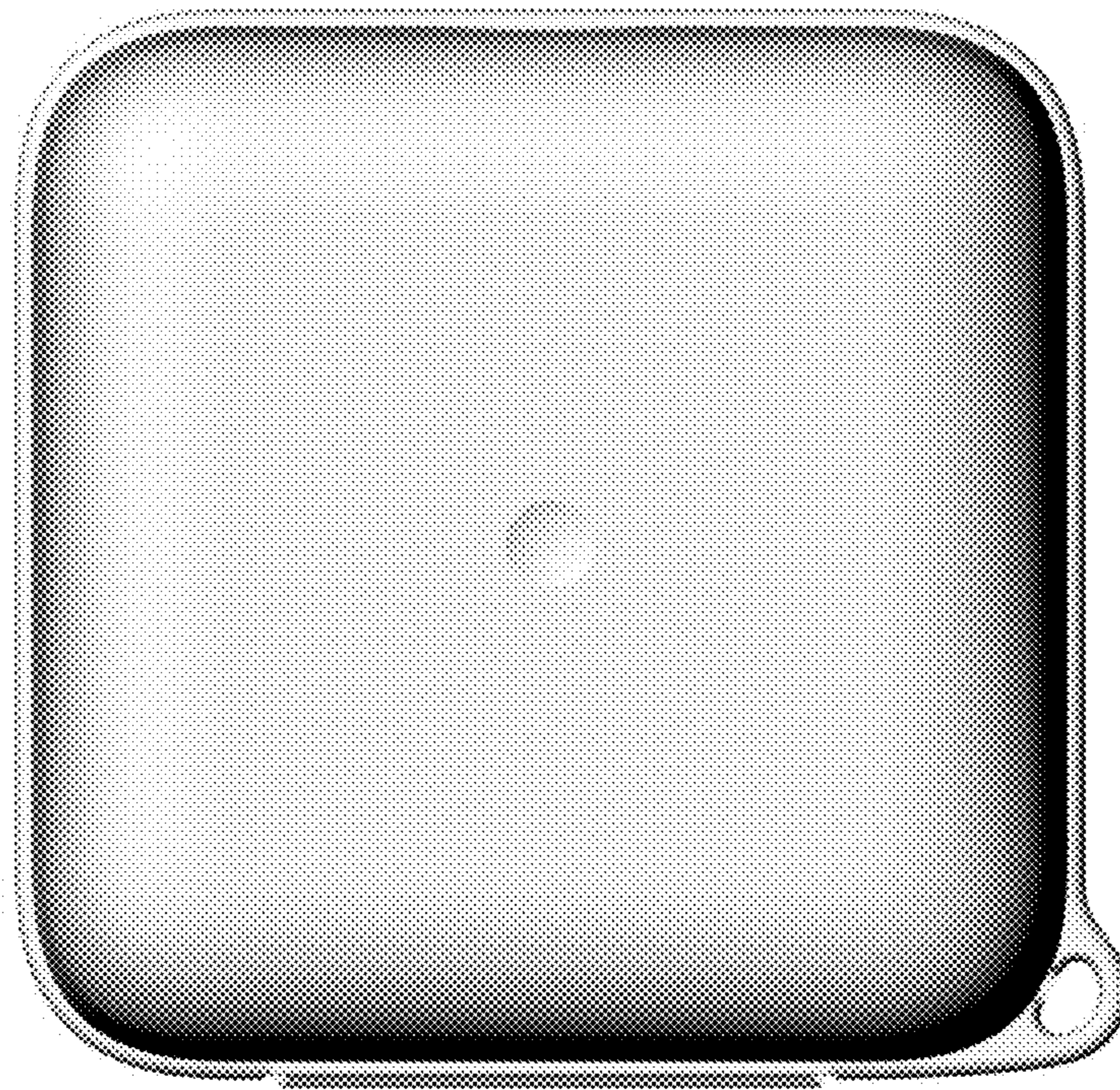
“Cosmos Clamshell Pink EVA Zipper Case”. Found online Jul. 12, 2019 at amazon.com. Reference dated Dec. 10, 2011. Retrieved from https://www.amazon.com/Cosmos-Pink-bluetooth-handsfree-headset/dp/B005KP1KPY/ref=sr_1_4?keywords=cosmos+eva+case&qid=1562961647&s=gateway&sr=8-4.*

* cited by examiner

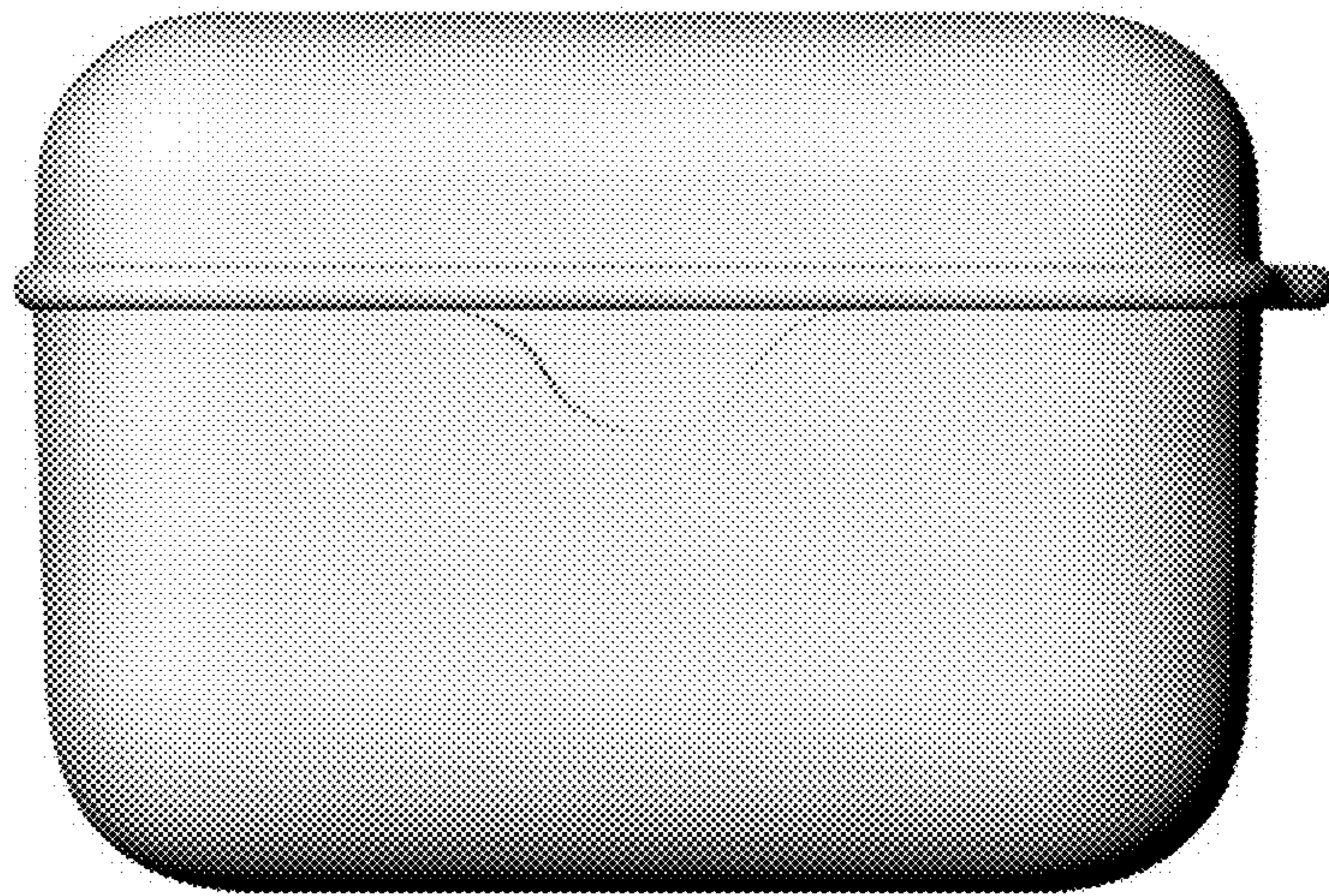
1.1



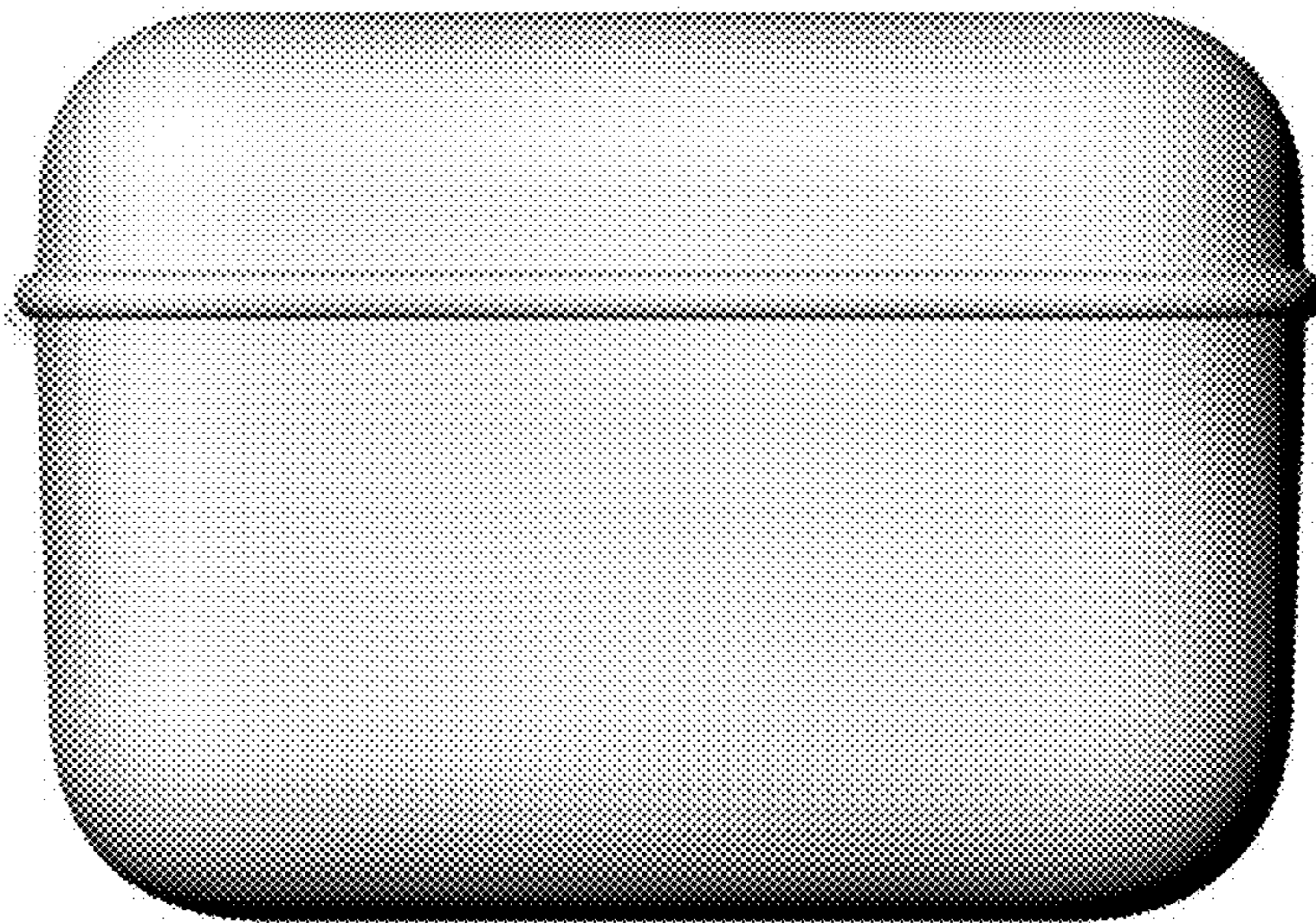
1.2



1.3



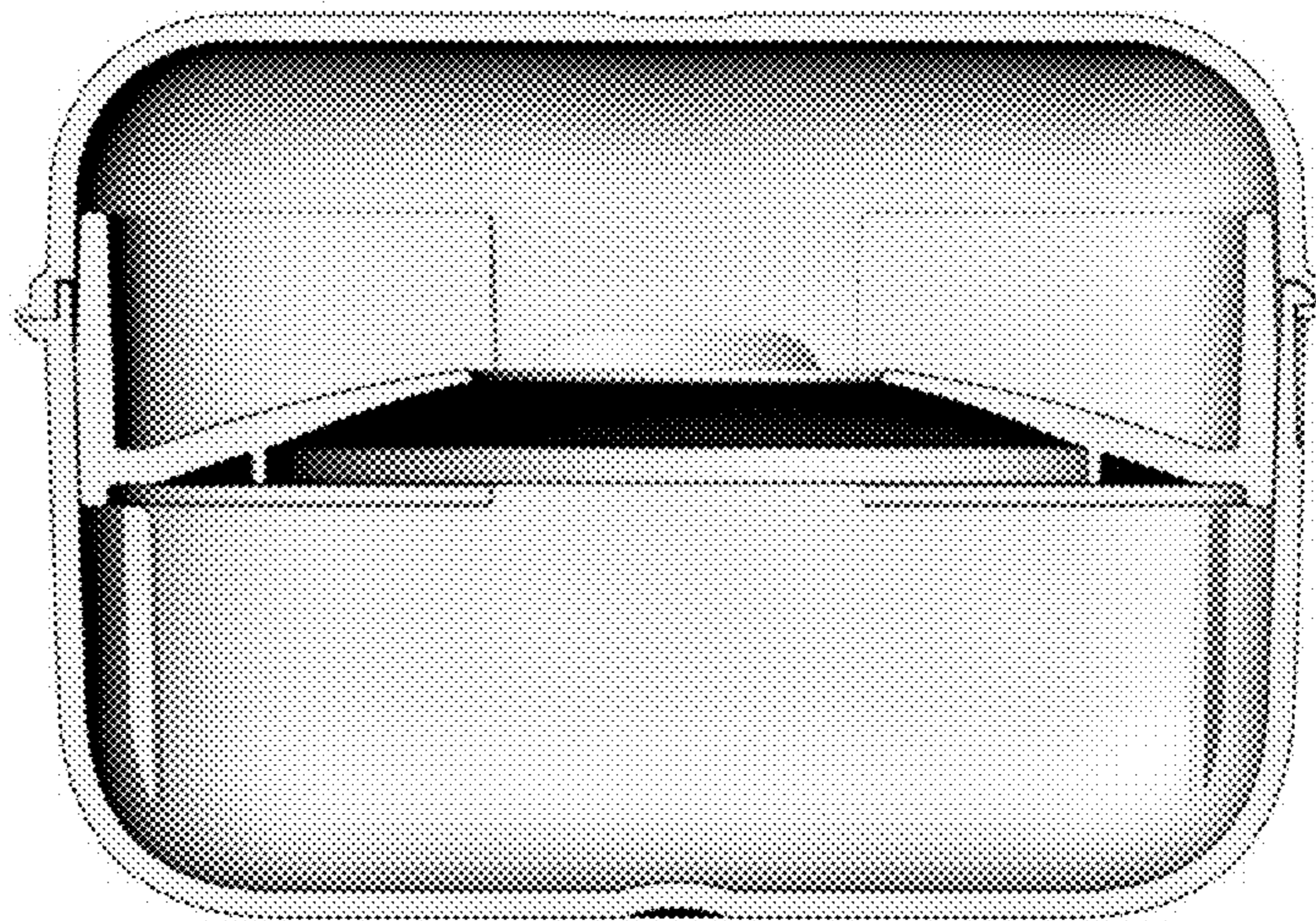
1.4



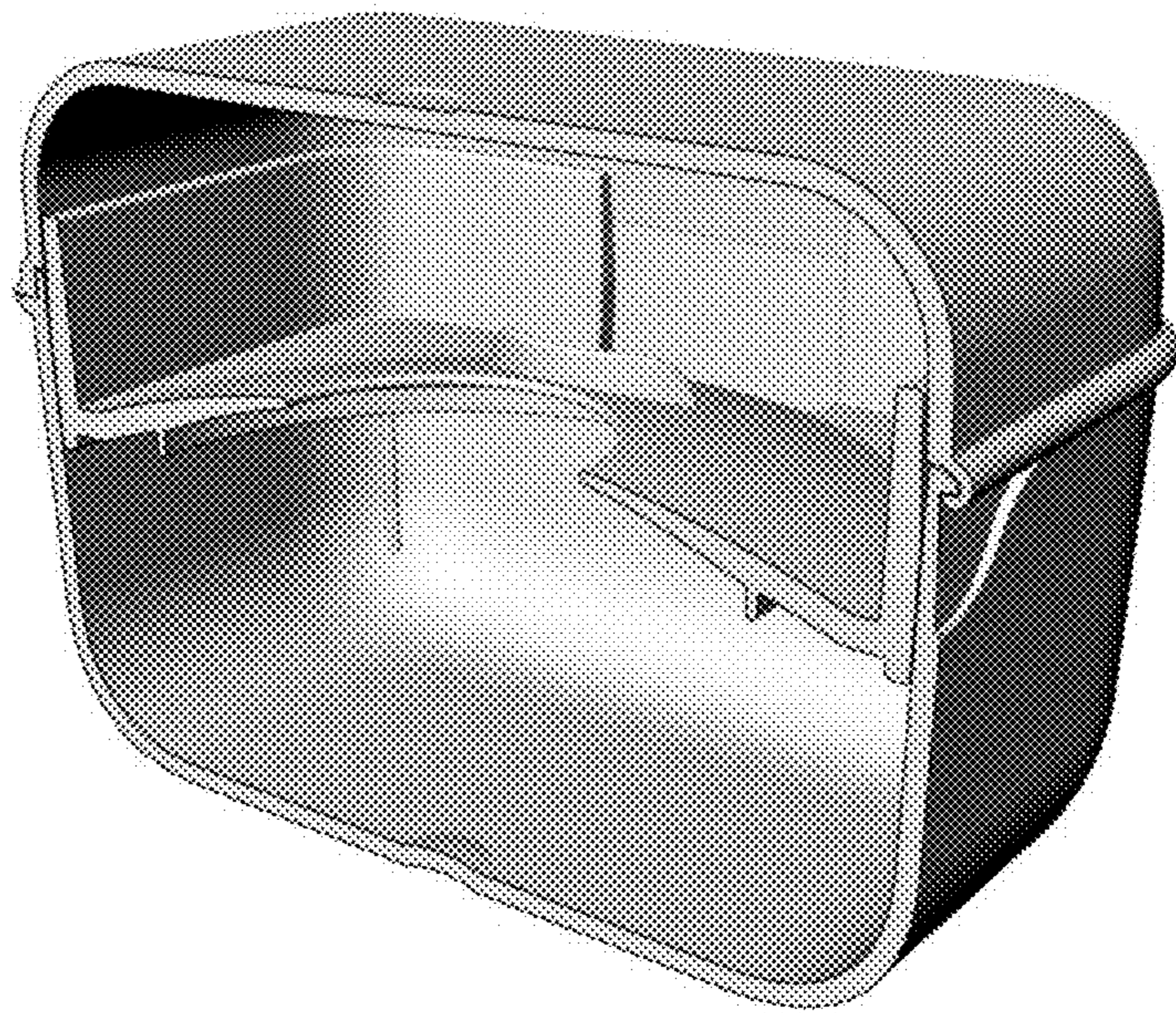
1.5



1.6



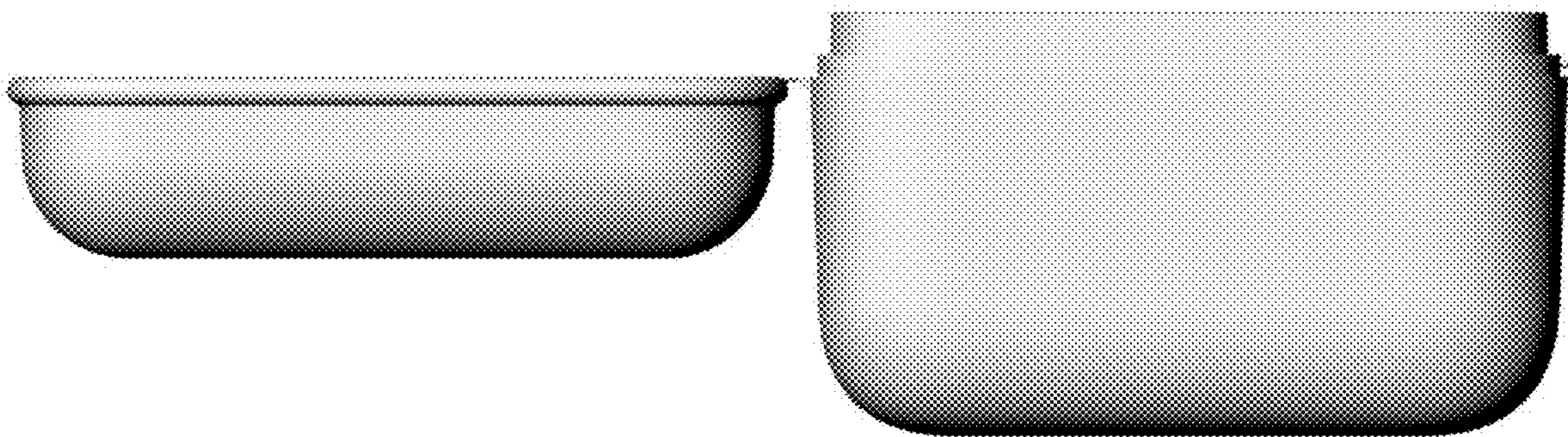
1.7



1.8



1.9



1.10



1.11



1.12



1.13



1.14



1.15

