



US00D965797S

(12) **United States Design Patent** (10) **Patent No.:** **US D965,797 S**
Blake (45) **Date of Patent:** **** Oct. 4, 2022**

(54) **PACIFIER**

(71) Applicant: **Nippii LLC**, South Jordan, UT (US)

(72) Inventor: **Ryan Paul Blake**, South Jordan, UT (US)

(73) Assignee: **Nippii LLC**, South Jordan, UT (US)

(**) Term: **15 Years**

(21) Appl. No.: **29/728,855**

(22) Filed: **Mar. 21, 2020**

(51) **LOC (13) Cl.** **24-04**

(52) **U.S. Cl.**
USPC **D24/194**

(58) **Field of Classification Search**
USPC D24/193, 194, 195, 115, 117, 214;
D1/101, 104, 106, 107, 199; D21/576,
D21/584, 606, 607; D30/160
CPC A61J 17/001; A61J 2200/44; A61J 7/02
See application file for complete search history.

(56) **References Cited**

U.S. PATENT DOCUMENTS

4,192,307	A	3/1980	Baer	
D295,073	S *	4/1988	Ford	D24/194
5,160,344	A	11/1992	Werton	
5,300,089	A *	4/1994	Sassin	A61J 17/001 606/236
5,334,218	A	8/1994	Johnson	
5,403,349	A	4/1995	Rohrig	
5,606,871	A	3/1997	Hansen et al.	
5,658,314	A	8/1997	Sheffer et al.	
D391,642	S *	3/1998	Fountain	D24/194
5,782,561	A	7/1998	Pai	

(Continued)

OTHER PUBLICATIONS

“Nippii: Freezable Pacifier”. Found online Feb. 1, 2021 at amazon.com. Reference dated May 30, 2019. Retrieved from https://www.amazon.com/Nippii-Freezable-Pacifier-Provides-Soothing/dp/B07MZF5YHJ/ref=cm_cr_ar_p_d_product_top?ie=UTF8.

amazon.com/Nippii-Freezable-Pacifier-Provides-Soothing/dp/B07MZF5YHJ/ref=cm_cr_ar_p_d_product_top?ie=UTF8.*

(Continued)

Primary Examiner — Kendra Leslie Hamilton
(74) *Attorney, Agent, or Firm* — Law Office of Paul B. Johnson; Paul B. Johnson

(57) **CLAIM**

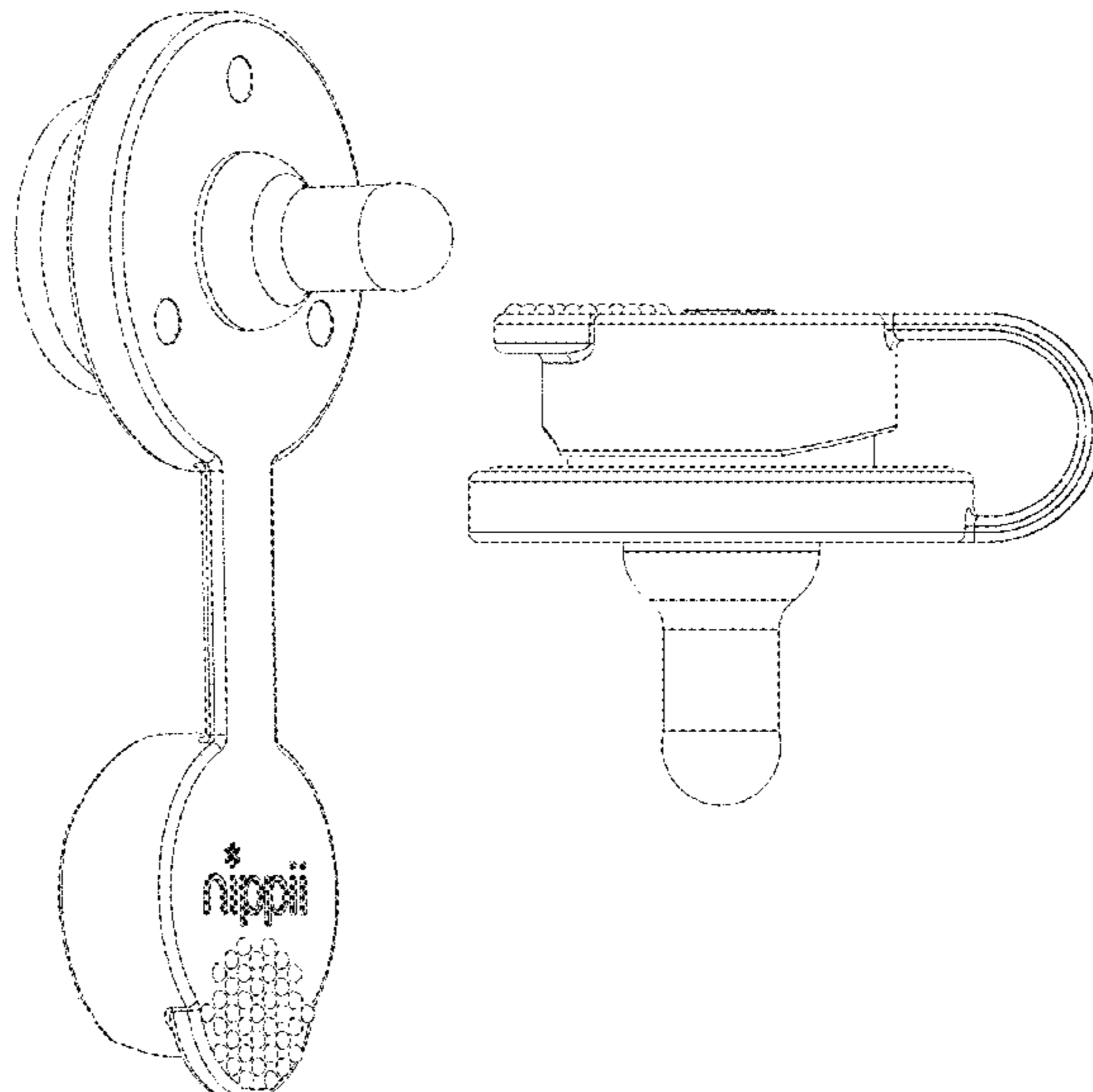
The ornamental design for a pacifier, as shown and described.

DESCRIPTION

FIG. 1 is a top, right perspective view of a first embodiment of a pacifier, shown open in a first configuration; FIG. 2 is a front elevation view thereof; FIG. 3 is a rear elevation view thereof; FIG. 4 is a left side elevation view thereof; FIG. 5 is a top plan view thereof; FIG. 6 is a right side elevation view thereof; FIG. 7 is a bottom plan view thereof; FIG. 8 is a bottom, right perspective view thereof; FIG. 9 is a left side elevation view of the pacifier of FIG. 1, shown closed in a second configuration; FIG. 10 is a top, right perspective view of a second embodiment of the pacifier, shown in the first configuration; FIG. 11 is a front elevation view thereof; FIG. 12 is a rear elevation view thereof; FIG. 13 is a left side elevation view thereof; FIG. 14 is a top plan view thereof; FIG. 15 is a right side elevation view thereof; FIG. 16 is a bottom plan view thereof; FIG. 17 is a bottom, right perspective view thereof; and, FIG. 18 is a left side elevation view of the pacifier of FIG. 10, shown in the second configuration.

The equal-length broken lines in the drawings depict portions of the pacifier that form no part of the claimed design.

1 Claim, 16 Drawing Sheets



(56)

References Cited

U.S. PATENT DOCUMENTS

5,782,868	A	7/1998	Moore, Jr. et al.	
6,110,193	A	8/2000	Chen	
D480,147	S	9/2003	Sanbrook et al.	
6,736,830	B2	5/2004	Roust	
D594,559	S *	6/2009	Kliegman	D24/194
D599,026	S *	8/2009	Cudworth	D24/194
D630,334	S	1/2011	Paige	
D662,599	S	6/2012	Rhodes, II et al.	
D674,495	S	1/2013	Roehrig et al.	
D687,954	S	8/2013	Dallman	
D742,532	S	11/2015	Parrott Segura	
D749,897	S *	2/2016	Zicafoose	D24/194
9,974,714	B1	5/2018	Middleton	
D840,044	S *	2/2019	Rard	D24/194
2003/0176891	A1	9/2003	Frederic	
2006/0155332	A1	7/2006	Jewett	
2007/0208379	A1	9/2007	Kessler et al.	
2009/0076548	A1	3/2009	Letsche	
2009/0299410	A1	12/2009	Brabant et al.	
2011/0029017	A1	2/2011	Shreve	
2011/0118782	A1	5/2011	Kashey	
2011/0160769	A1	6/2011	Tesini et al.	
2012/0203277	A1	8/2012	Forestieri	
2013/0085530	A1	4/2013	Caputo	
2013/0331888	A1 *	12/2013	Antinnes	A61J 17/001 606/236
2015/0133817	A1 *	5/2015	Slowey	A61B 10/0051 600/582
2016/0074286	A1	3/2016	Carter et al.	
2016/0213570	A1 *	7/2016	Athanassiou	A61J 7/0053
2017/0290745	A1 *	10/2017	Wiesman	A61J 9/00
2019/0254934	A1 *	8/2019	Lake	A61J 17/101
2019/0358129	A1 *	11/2019	Bergstrom	A61J 17/105
2021/0177705	A1	6/2021	Yoskowitz	

OTHER PUBLICATIONS

“FridaBaby MediFrida, The Accu-Dose Pacifier”. Found online Aug. 31, 2020 at [albeebaby.com](https://www.albeebaby.com). Reference dated Dec. 25, 2017. Retrieved from <https://www.albeebaby.com/fridababy-medifrida-the-accu-dose-pacifier.html>.*

“Simba: Thumb Shape Massage Pacifier”. Found online Jun. 25, 2020 at simbaus.com. Reference dated Sep. 26, 2016. Retrieved from <https://tineye.com/search/a7752fda329febaf48ad88cd1170d0bacb4fb0b0?page=1>.*

“Combi: 4 months, Pacifier/Teether”. Found online Aug. 31, 2016 at [amazon.com](https://www.amazon.com). Reference dated Jan. 18, 2007. Retrieved from https://www.amazon.com/Combi-BPA-Free-Teether-Months/dp/B00090AQTG/ref=cm_cr_ar_p_d_product_top?ie=UTF8.*

“Molar Muncher: Baby Teether.” Disclosed online Sep. 15, 2021 at [amazon.com](https://www.amazon.com). Reference dated Jan. 5, 2012. Retrieved from https://www.amazon.com/Molar-Muncher-Infant-Teether-Silicone/dp/B006TWH4R0/ref=sr_1_2?

“Nuby: Natural Touch First Teether.” Disclosed online Dec. 17, 2013 at [amazon.com](https://www.amazon.com). Reference dated Mar. 10, 2012. Retrieved from http://www.amazon.com/Nuby-67918-Gum-Eez-Teether/dp/B004C65U0S/ref=sr_1_4?

“Nuk: Transitional Teether.” Disclosed online Dec. 17, 2013 at [amazon.com](https://www.amazon.com). Reference dated Mar. 4, 2013. Retrieved from http://www.amazon.com/NUK-Transitional-Teether-Months-Plus/dp/B0AWLZFFW/ref=cm_cr_pr_product_top.

“Toofeze: Modern Teether in Silicone and Stainless Steel.” Disclosed online Sep. 10, 2021 at themomedit.com. Reference dated Sep. 3, 2009. Retrieved from <https://themomedit.com/toofeze/>.

Images of a pacifier on sale by applicant in the U.S. on [Amazon.com](https://www.amazon.com) by May 5, 2019. Images of this product and a product description were uploaded to applicant’s [Amazon.com](https://www.amazon.com) seller account by Jan. 21, 2019, but applicant does not consider this to be a public disclosure inasmuch as applicant confirmed in a phone call with Amazon representatives on or around Mar. 16, 2020 that, until May 5, 2019, the product page listed zero inventory and was not visible to visitors of [Amazon.com](https://www.amazon.com).

* cited by examiner

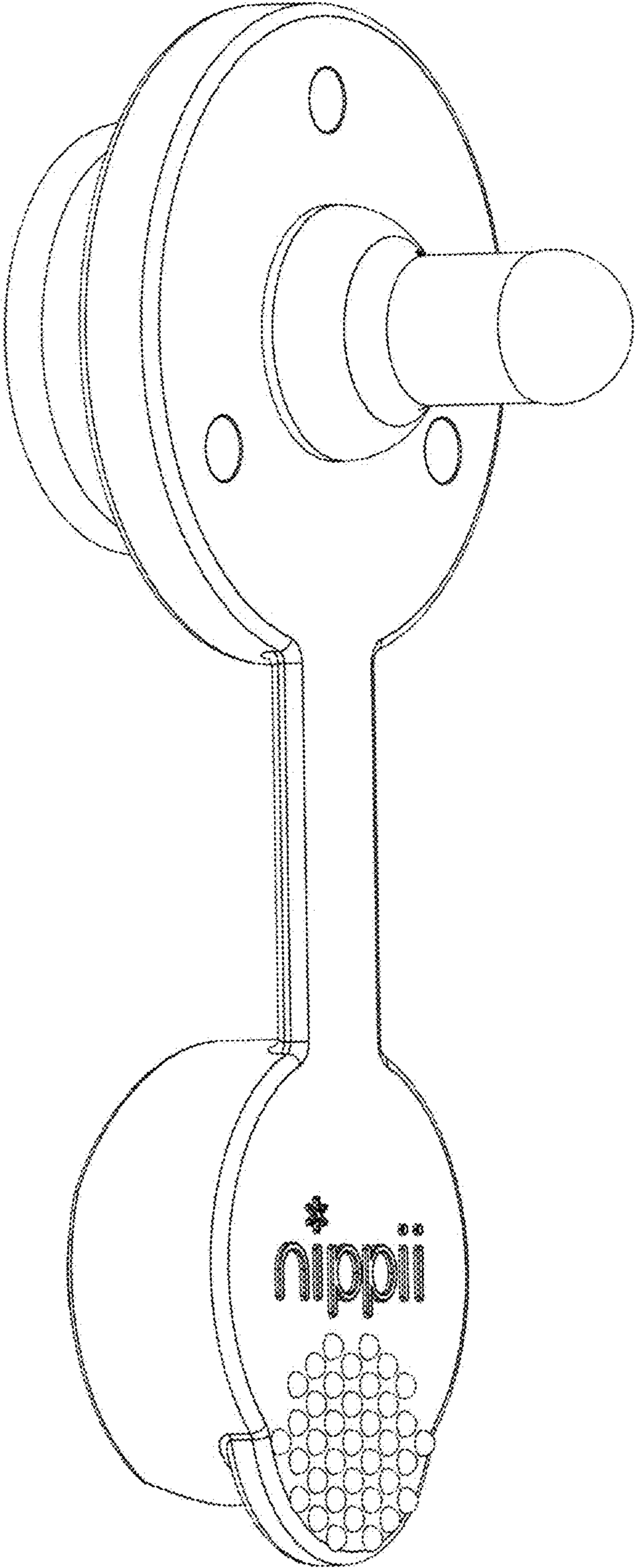


FIG. 1

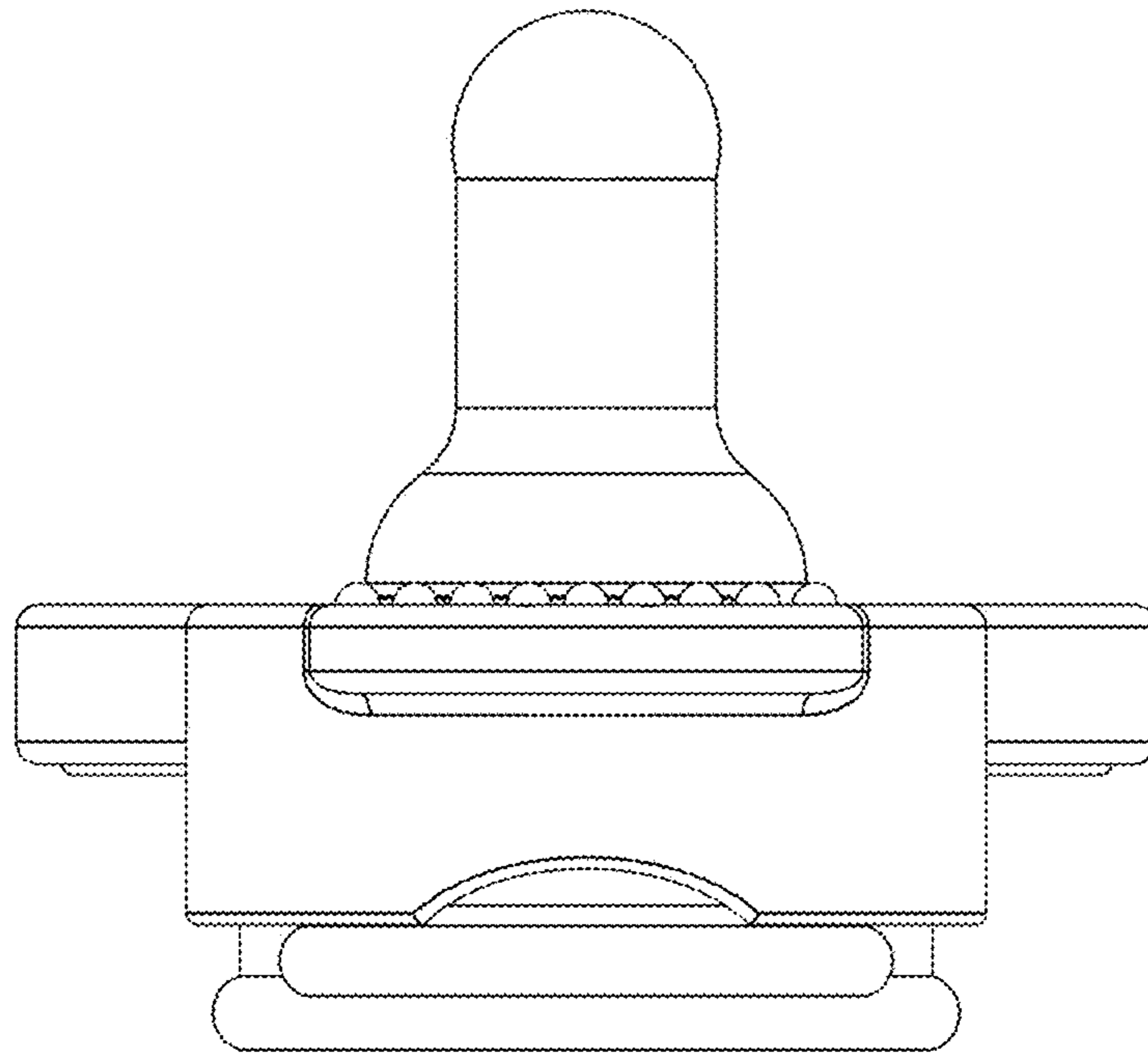


FIG. 2

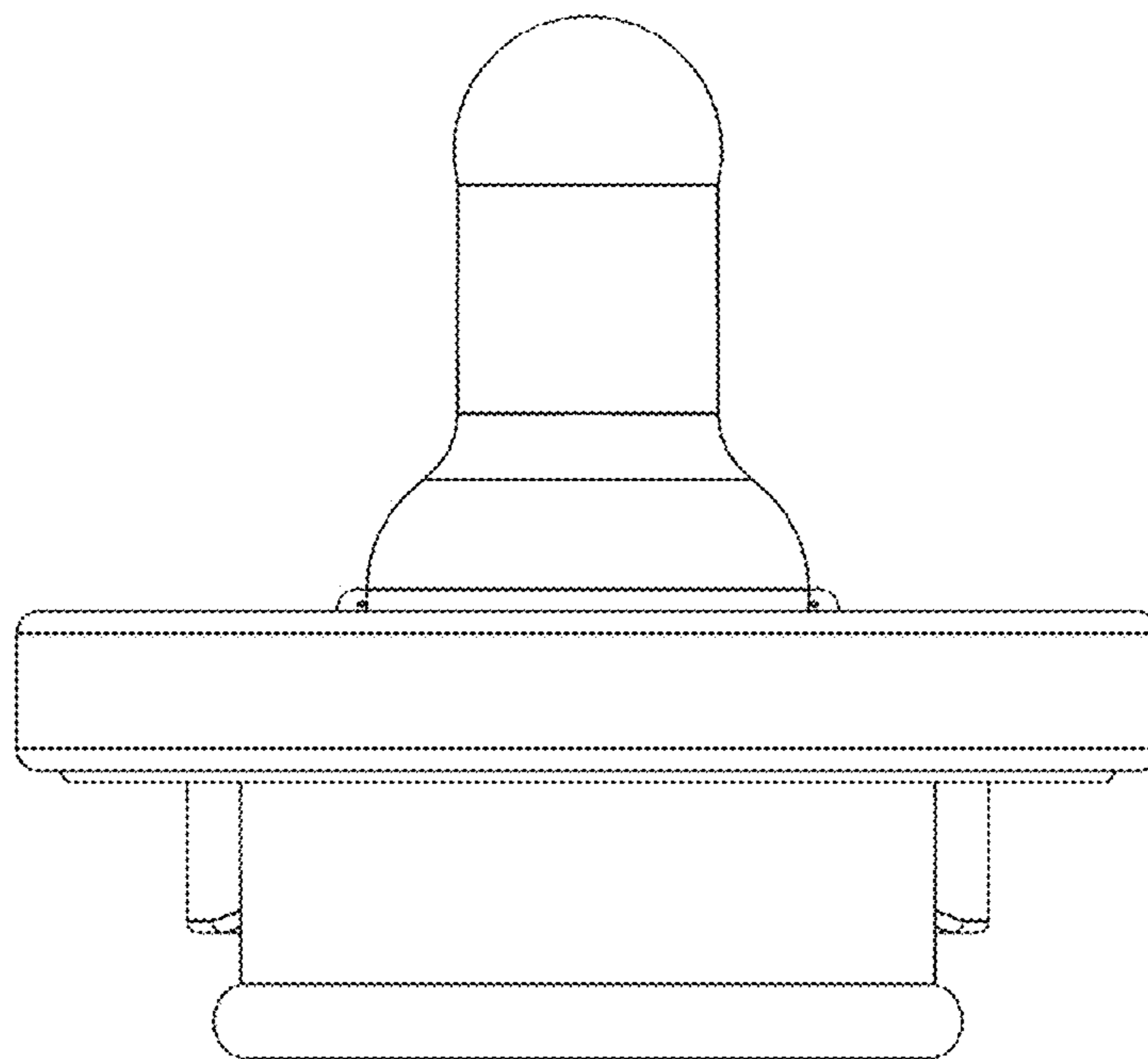


FIG. 3

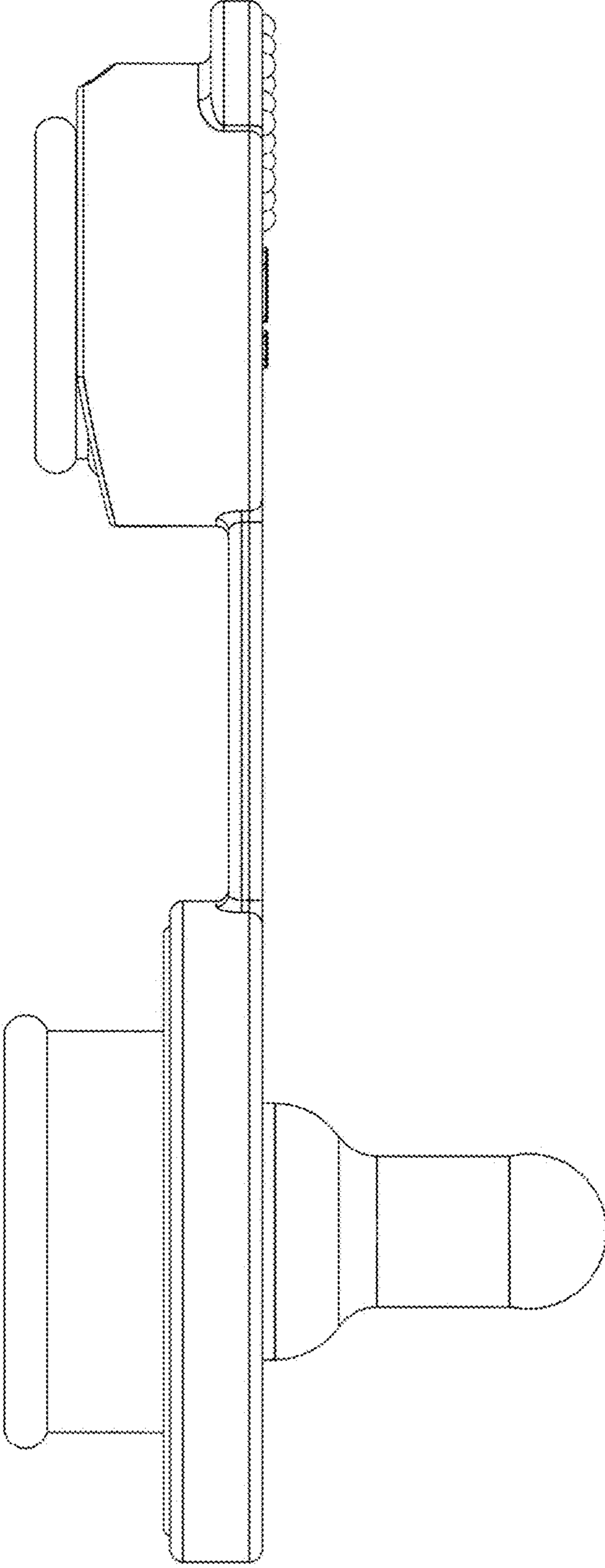


FIG. 4

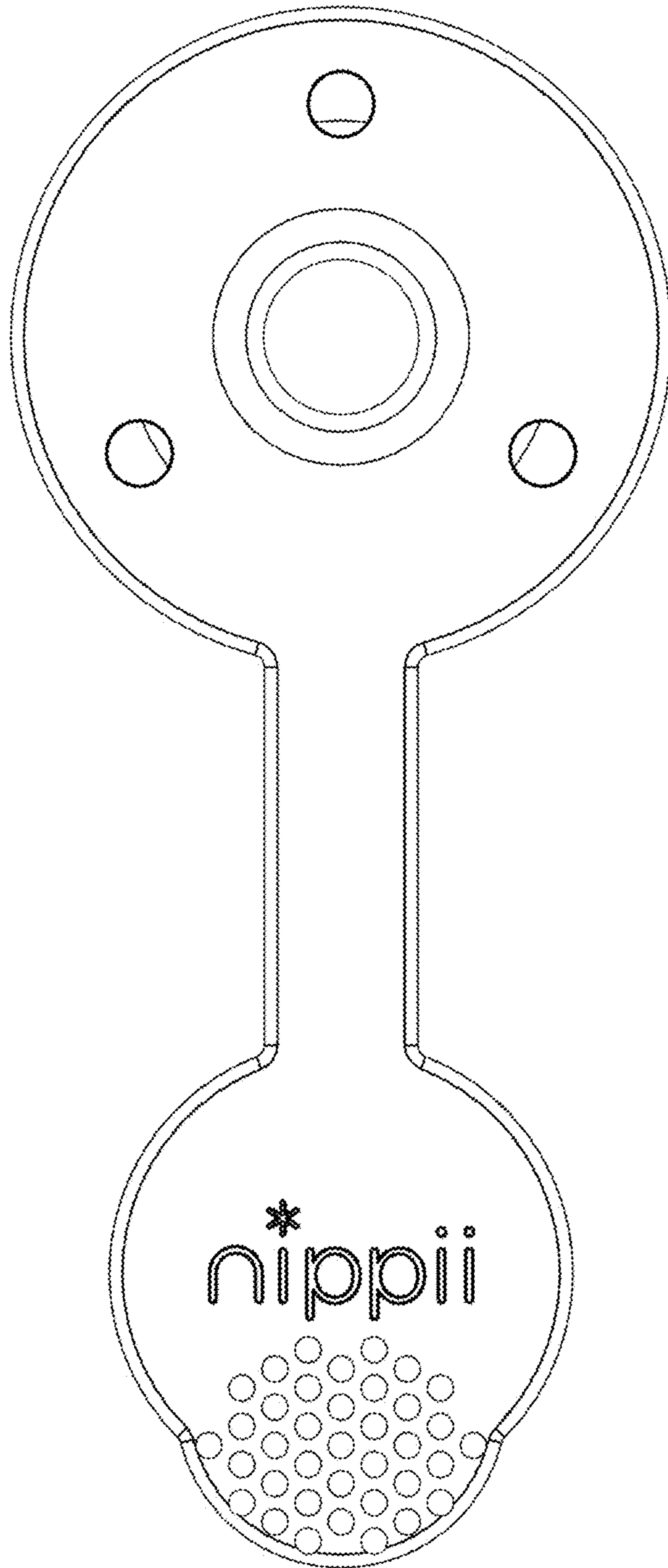


FIG. 5

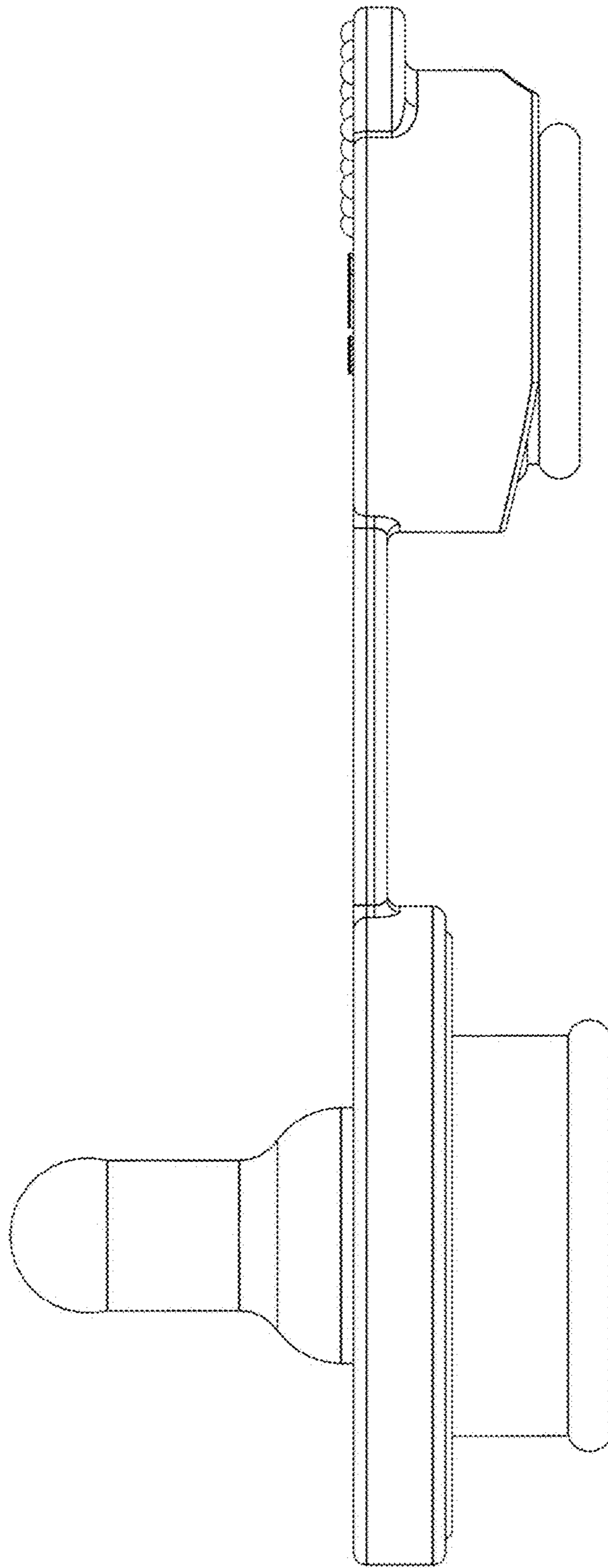


FIG. 6

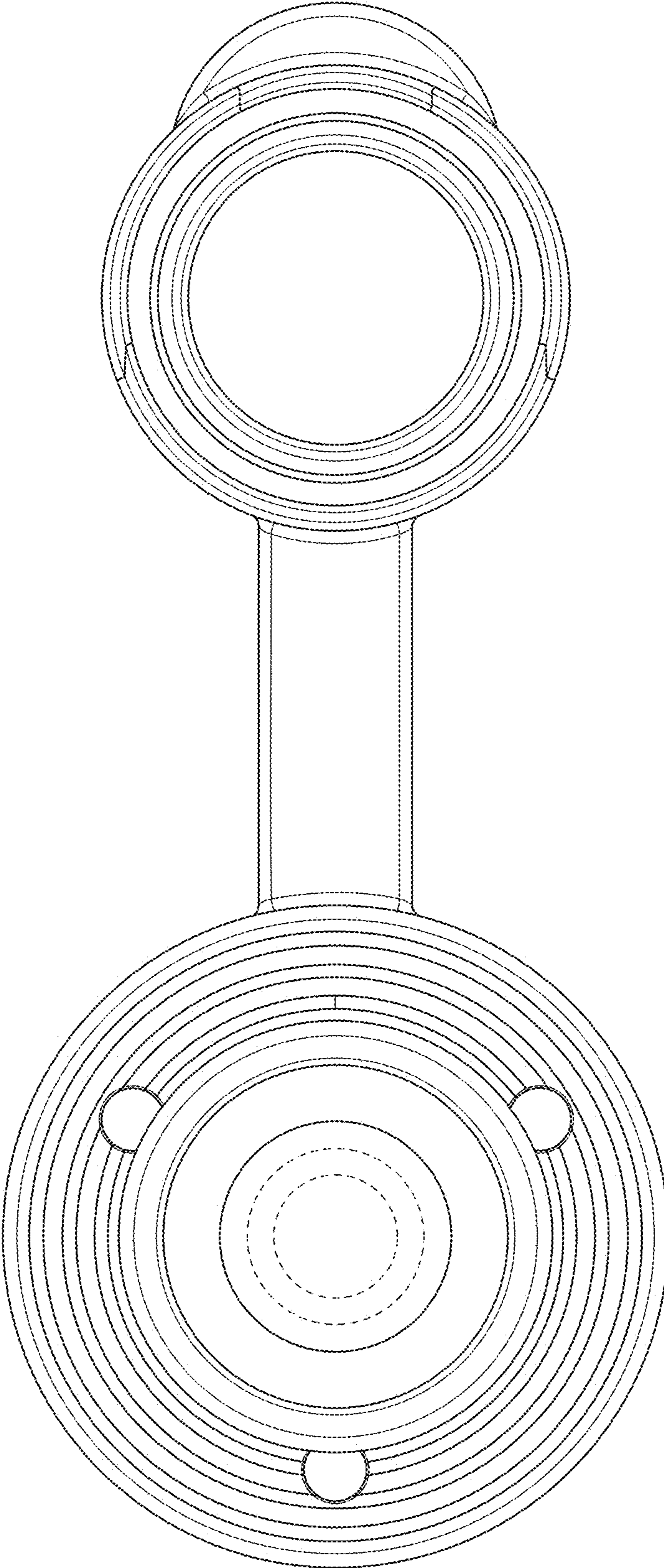


FIG. 7

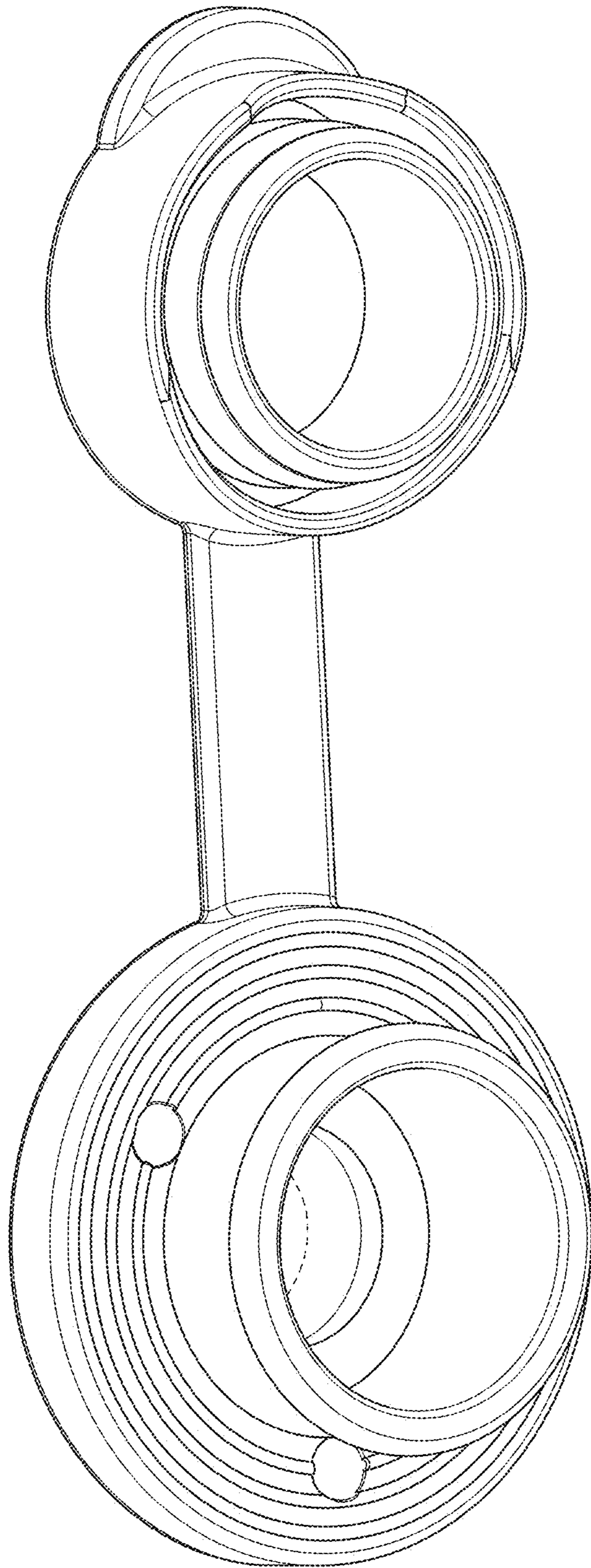


FIG. 8

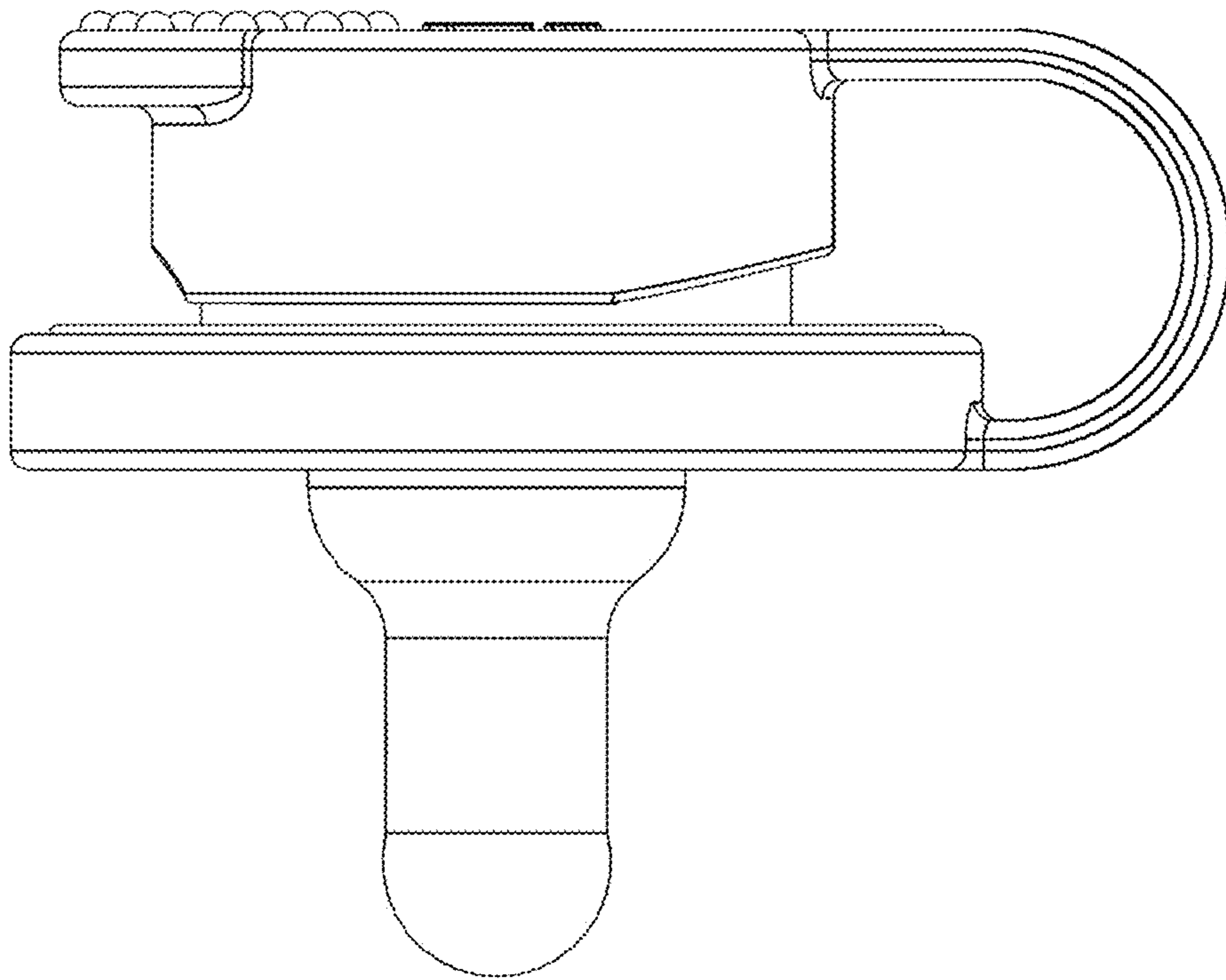


FIG. 9

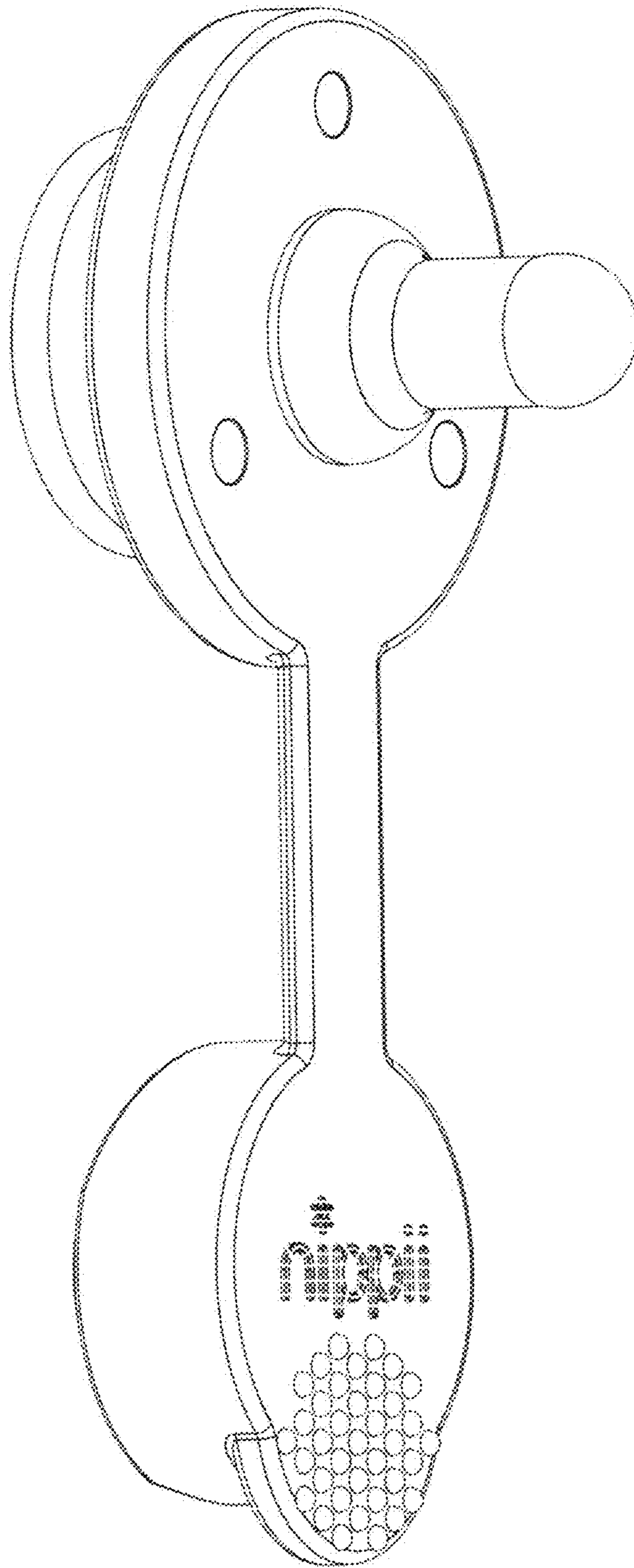


FIG. 10

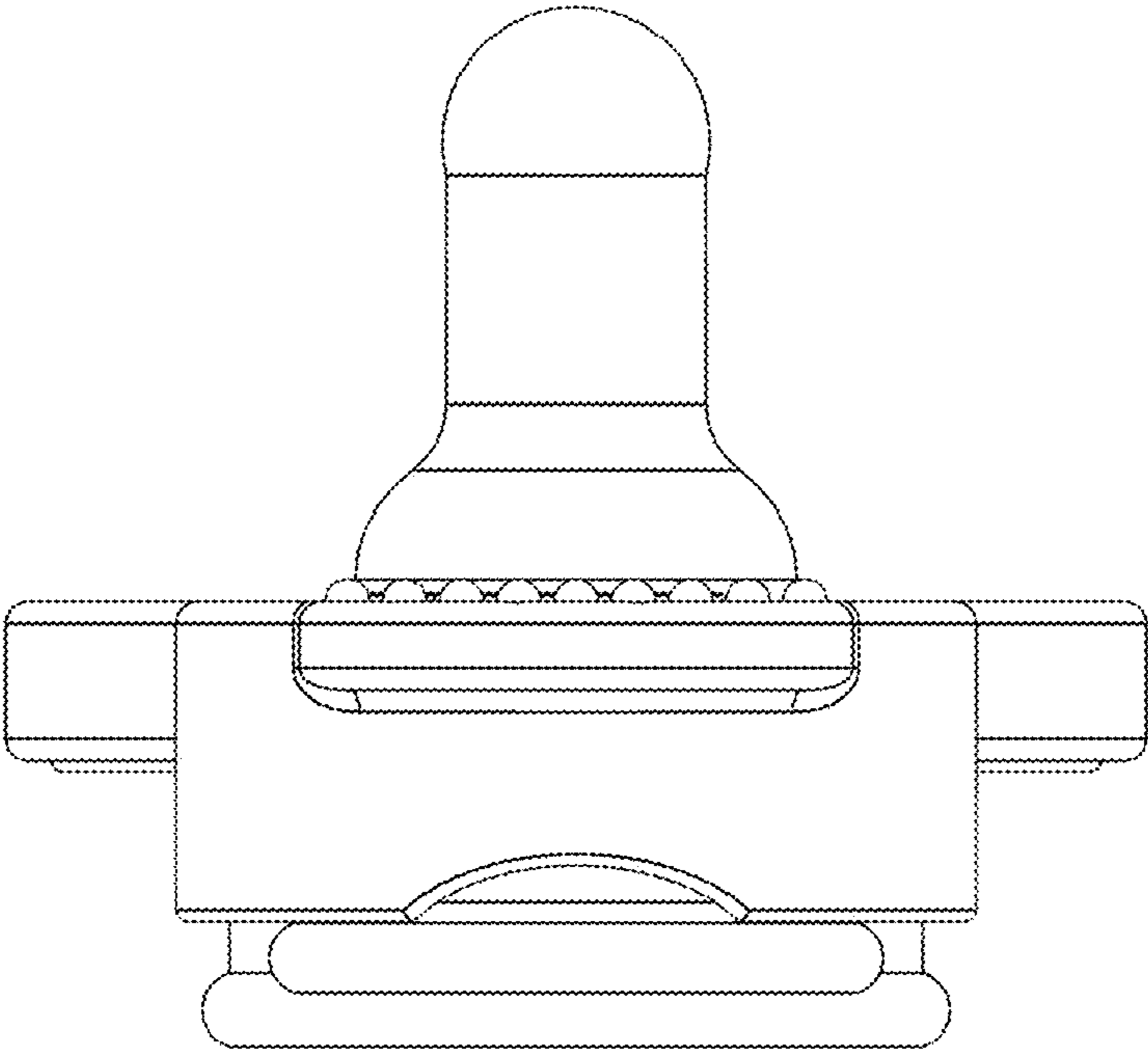


FIG. 11

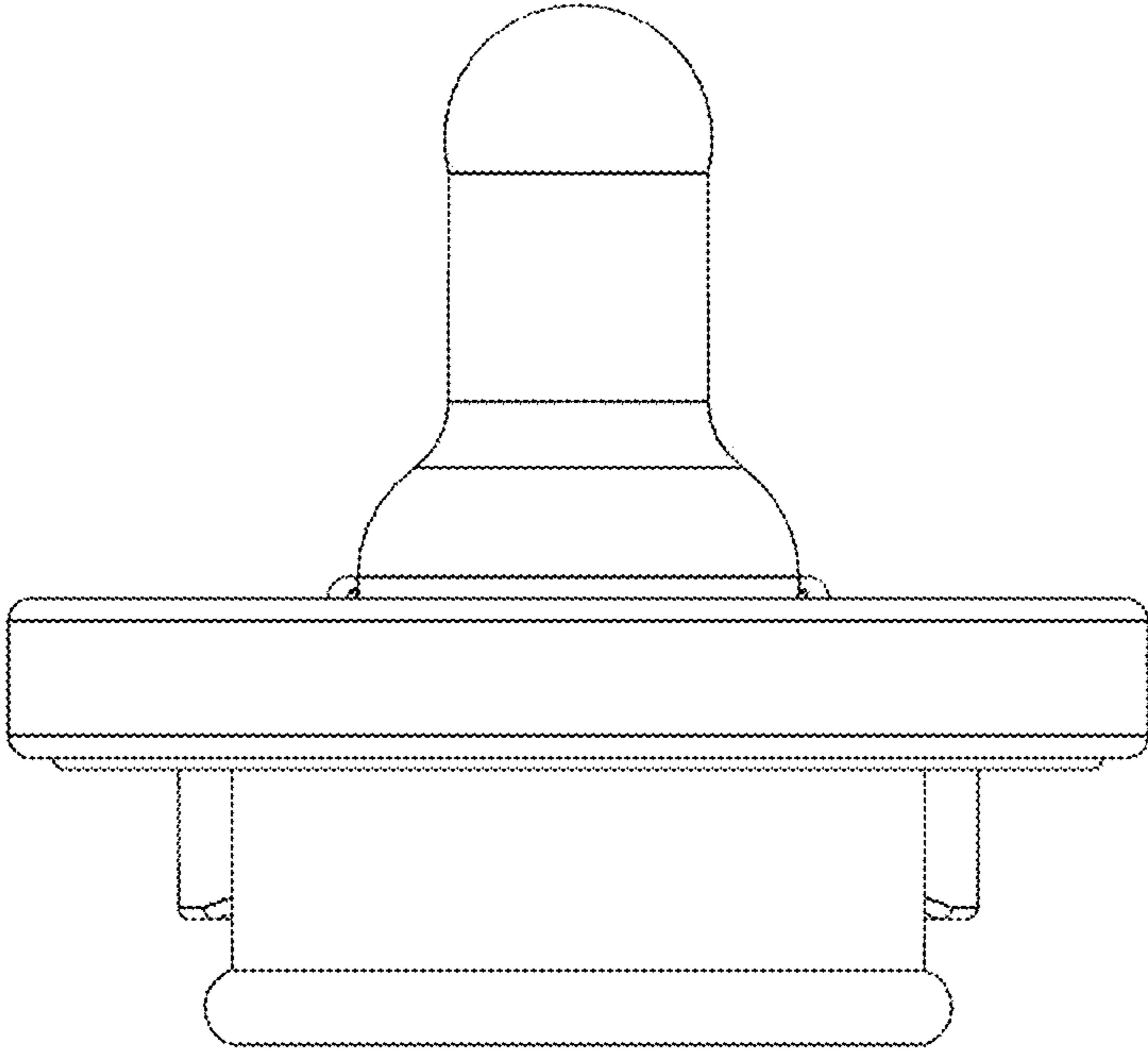


FIG. 12

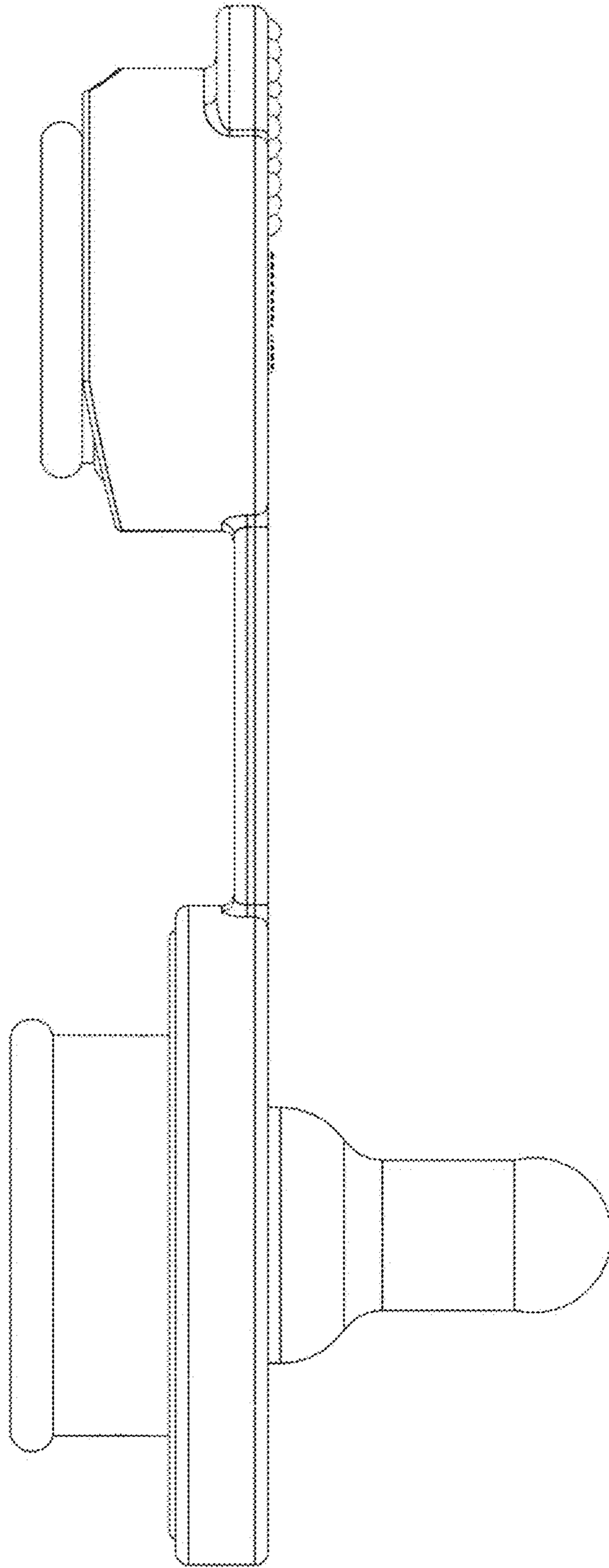


FIG. 13

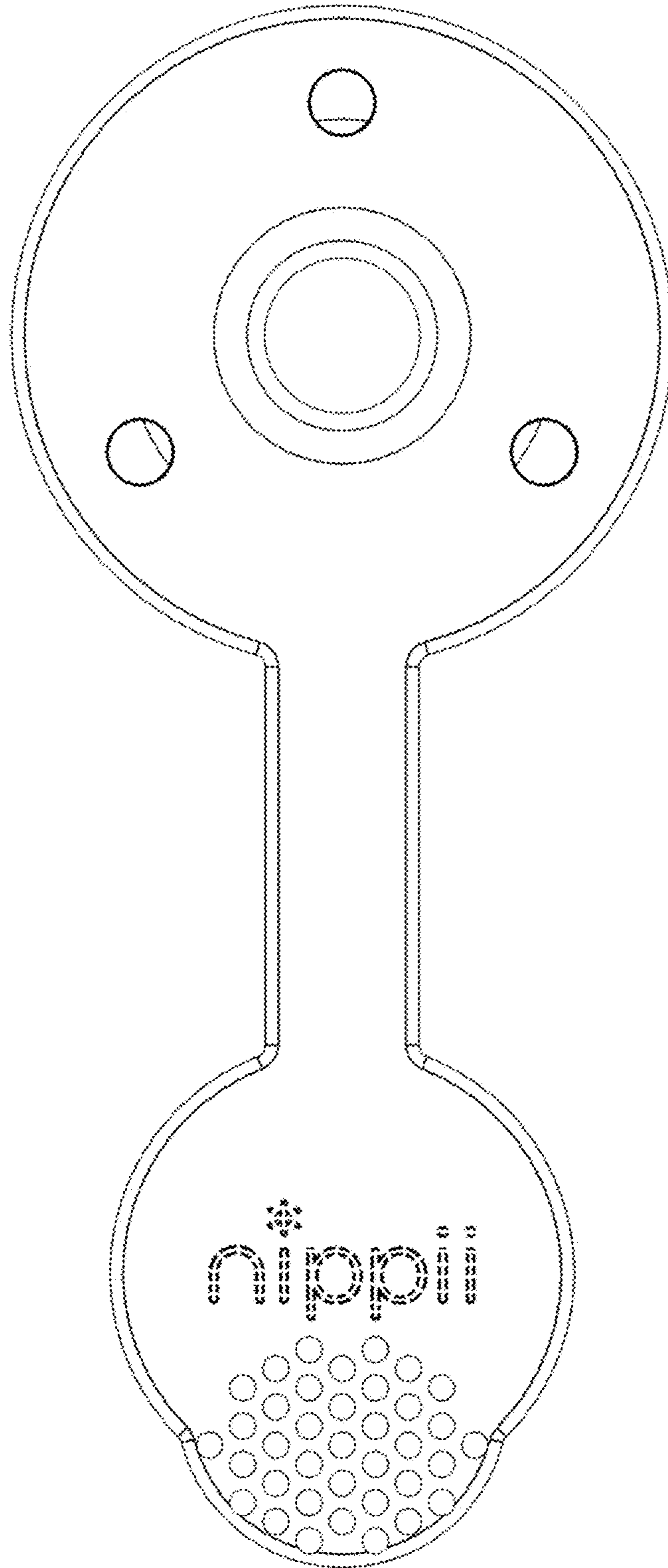


FIG. 14

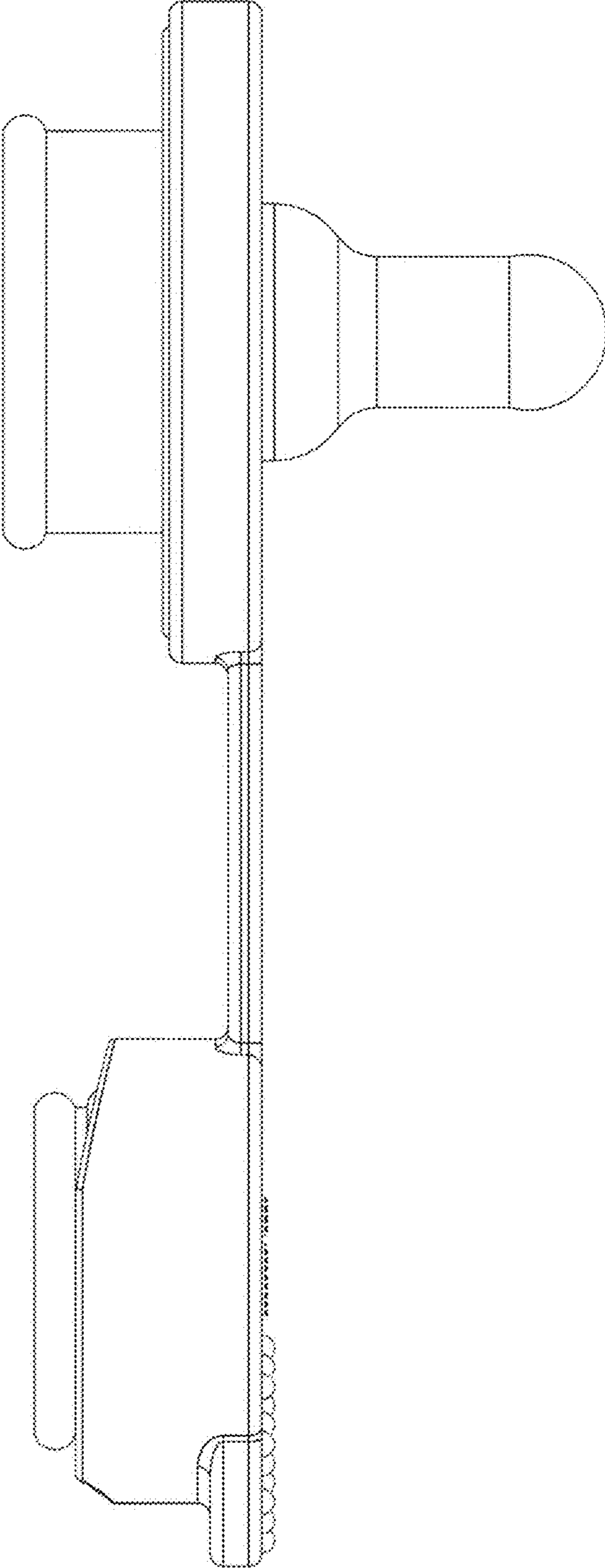


FIG. 15

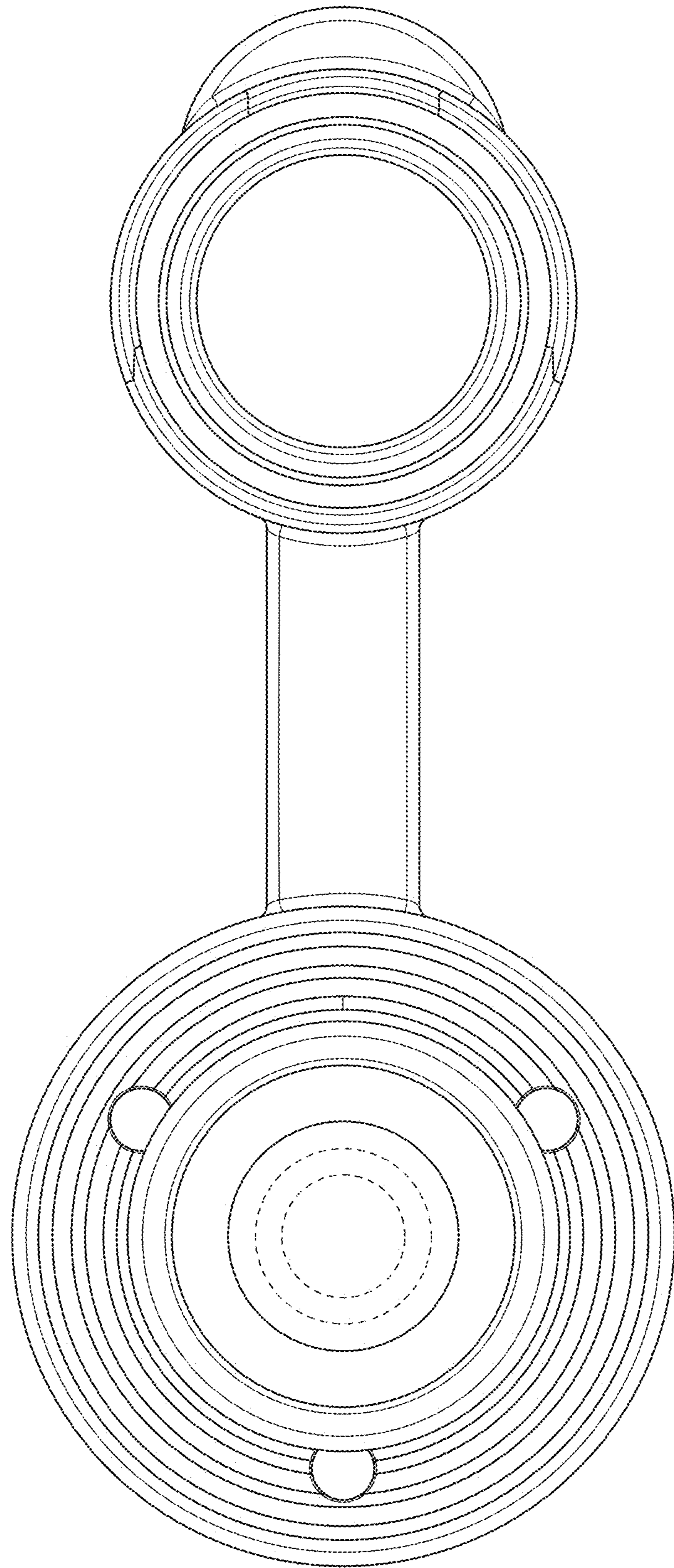


FIG. 16

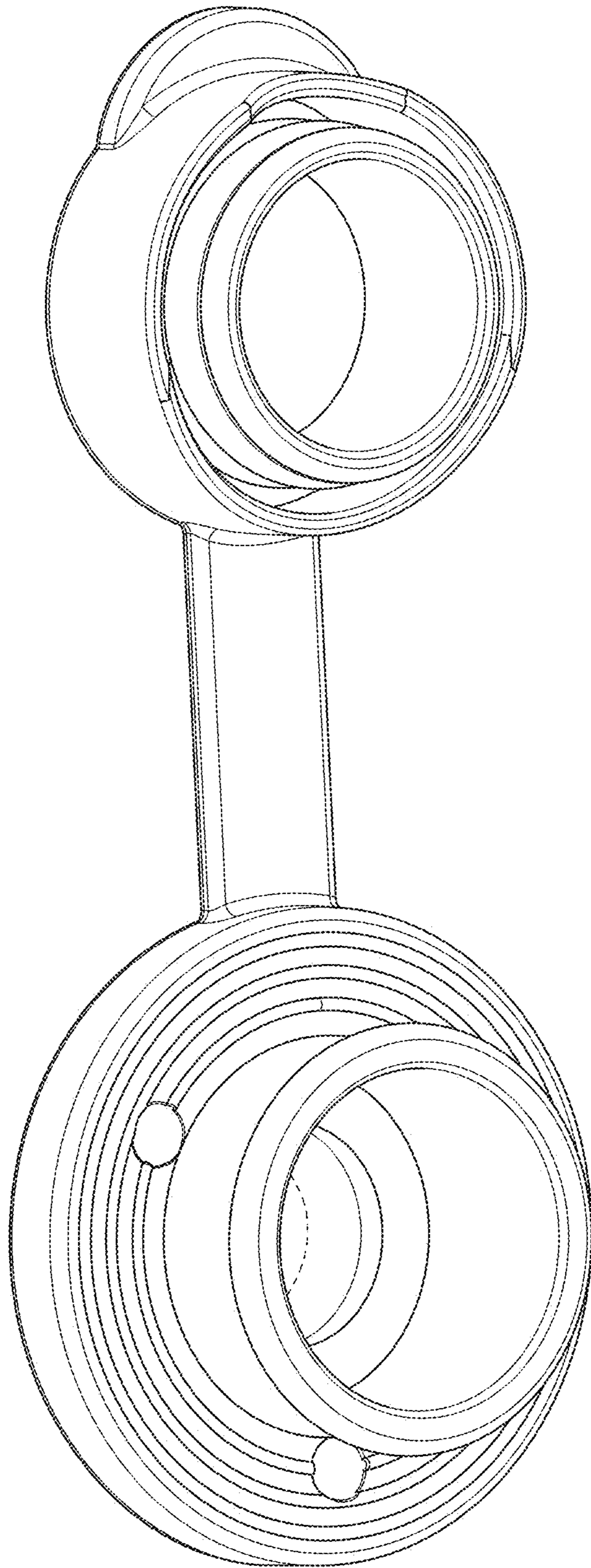


FIG. 17

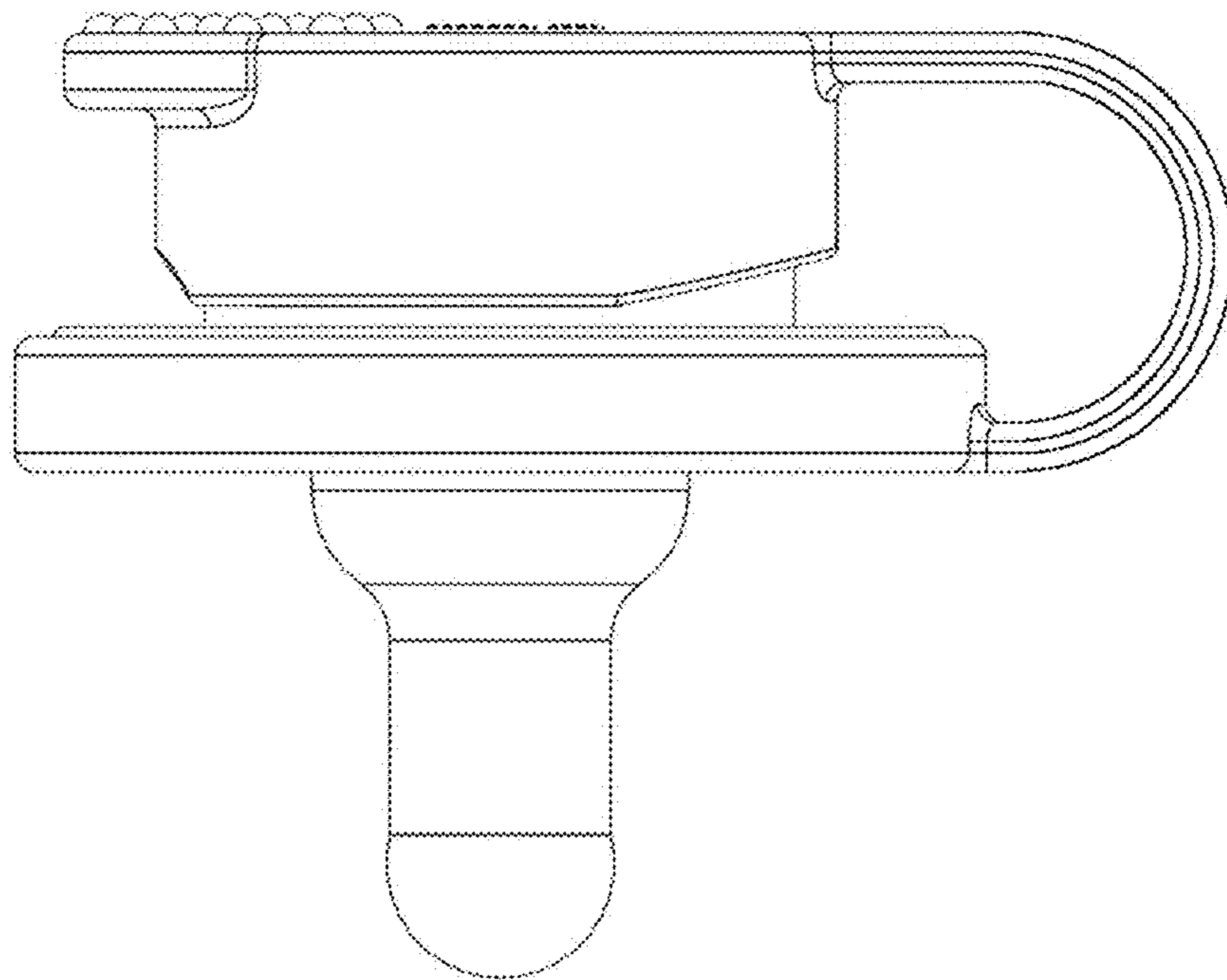


FIG. 18