



US00D965794S

(12) **United States Design Patent** (10) **Patent No.:** **US D965,794 S**  
**Marine et al.** (45) **Date of Patent:** **\*\* \*Oct. 4, 2022**

(54) **STAND FOR MEDICAL MONITORING DEVICE**

D902,217 S \* 11/2020 Zhang ..... D14/447  
D918,190 S \* 5/2021 Hong ..... D14/253  
D931,848 S \* 9/2021 Liu ..... A61B 5/447  
D14/253

(71) Applicant: **UAB “Diabetis”, Vilnius (LT)**

(Continued)

(72) Inventors: **Gintare Marine, Vilnius (LT); Urte Steikuniene, Vilnius (LT); Barbora Adamonyte Keidune, Vilnius (LT)**

*Primary Examiner* — Calvin E Vansant

(74) *Attorney, Agent, or Firm* — Hodgson Russ LLP

(73) Assignee: **UAB “Diabetis”, Vilnius (LT)**

(57) **CLAIM**

(\*) Notice: This patent is subject to a terminal disclaimer.

The ornamental design for a stand for medical monitoring device, as shown and described.

(\*\*) Term: **15 Years**

**DESCRIPTION**

(21) Appl. No.: **35/510,708**

(22) Filed: **Jun. 16, 2020**

(80) **Hague Agreement Data**

Int. Filing Date: **Jun. 16, 2020**  
Int. Reg. No.: **DM/210936**  
Int. Reg. Date: **Jun. 16, 2020**  
Int. Reg. Pub. Date: **Nov. 6, 2020**

(51) **LOC (13) Cl.** ..... **24-02**

(52) **U.S. Cl.**

USPC ..... **D24/186; D24/192; D14/447**

(58) **Field of Classification Search**

USPC ..... **D24/186, 192, 213; D14/447**  
CPC ..... **A61B 5/4528; A61B 5/0077; A61B 5/103; A61B 5/702**

See application file for complete search history.

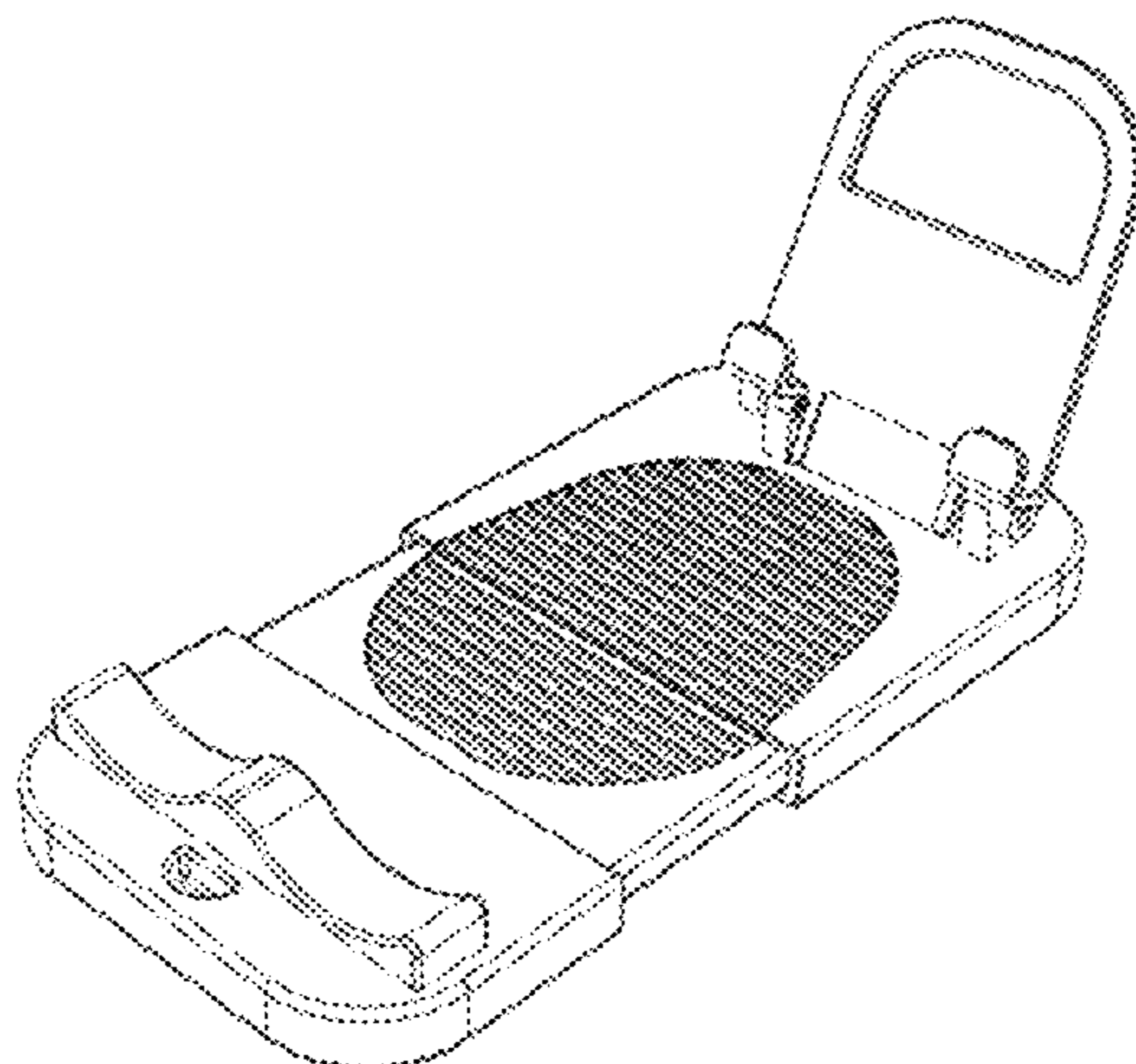
(56) **References Cited**

**U.S. PATENT DOCUMENTS**

D346,030 S \* 4/1994 Tsai ..... A61B 5/0035  
D24/200  
D825,575 S \* 8/2018 Gao ..... D14/447  
D898,017 S \* 10/2020 Zhang ..... A61B 5/7275  
D14/253

1. Stand for medical monitoring device  
Fig. 1.1 is a front perspective view of a stand for medical monitoring depicting our new design;  
Fig. 1.2 is a front perspective view of a pulled out stand for medical monitoring device that is shown in fig. 1.1;  
Fig. 1.3 is a front perspective view of a pulled out and unfolded stand for medical monitoring device that is shown in fig. 1.1;  
Fig. 1.4 is a right side view of the stand for medical monitoring device shown in fig. 1.3;  
Fig. 1.5 is a top view of the stand for medical monitoring device shown in fig. 1.3;  
Fig. 1.6 is a front view of the stand for medical monitoring device shown in fig. 1.3, and;  
Fig. 1.7 is a back view of the stand for medical monitoring device shown in fig. 1.3.  
Figs. 1.1 is a front perspective view of a stand for medical monitoring device according to a first representative embodiment of our design; fig. 1.2 is a front perspective view of a pulled out stand for medical monitoring device that is shown in fig. 1.1; fig. 1.3 is a front perspective view of a pulled out and unfolded stand for medical monitoring device that is shown in fig. 1.1; fig. 1.4 is a right side view of the stand for medical monitoring device shown in fig. 1.1; fig. 1.5 is a top view of the stand for medical monitoring device shown in fig. 1.1; fig. 1.6 is a front view of the stand for

(Continued)



medical monitoring device shown in fig. 1.1; fig. 1.7 is a back view of the stand for medical monitoring device shown in fig. 1.1.

**1 Claim, 7 Drawing Sheets**

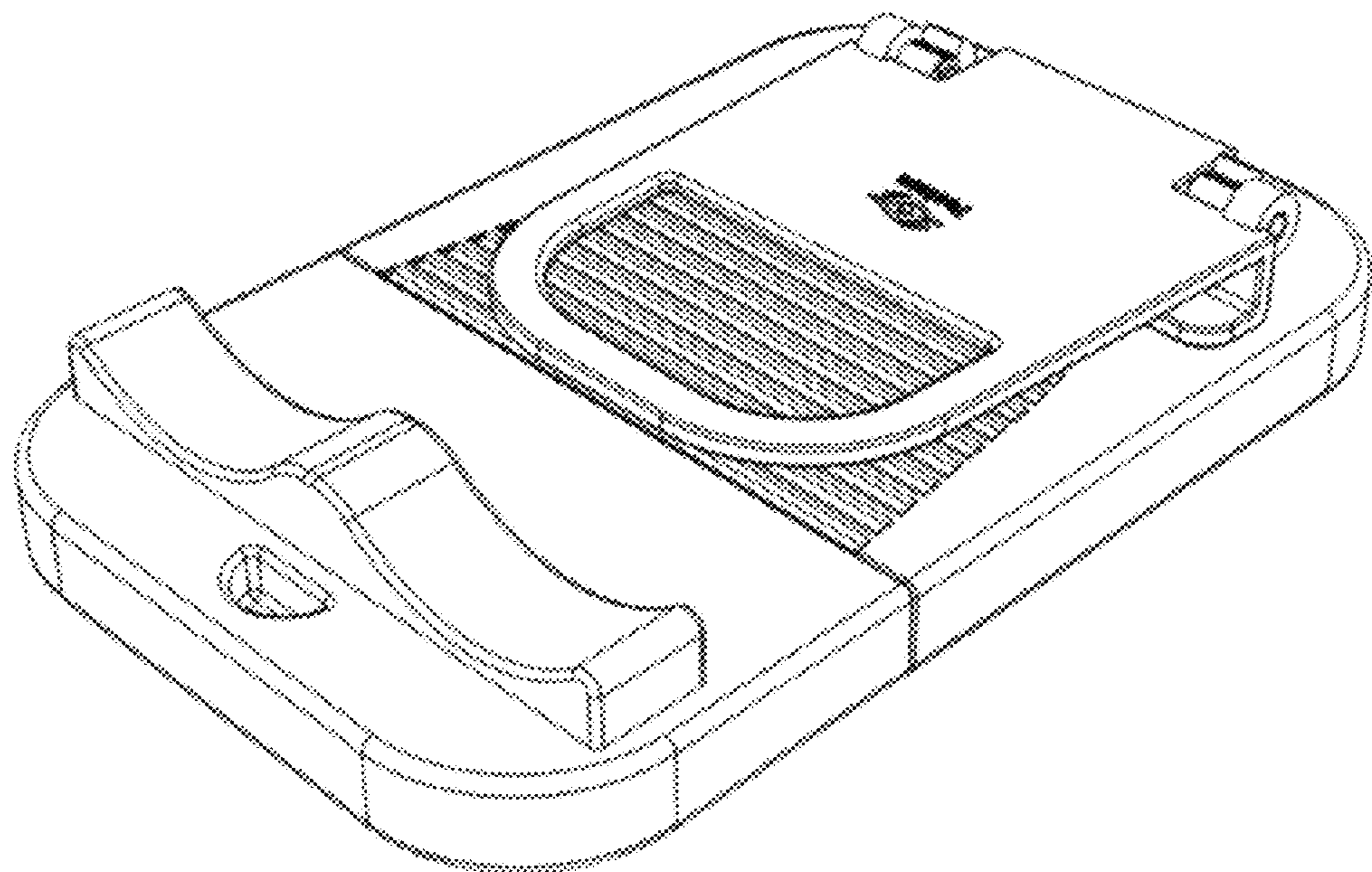
(56) **References Cited**

U.S. PATENT DOCUMENTS

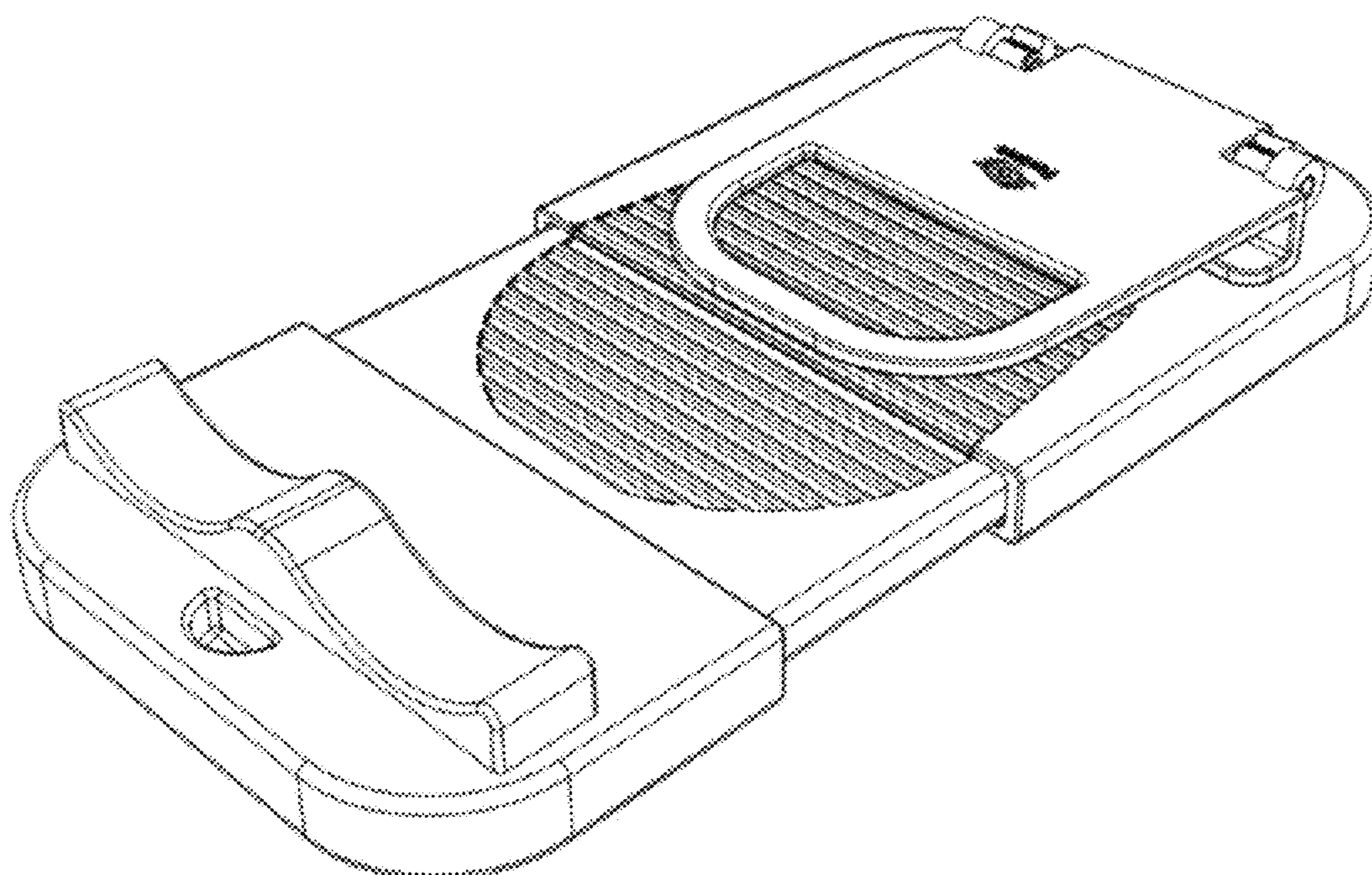
2013/0109951	A1*	5/2013	Goldish .....	A61B 5/0082 600/407
2016/0183879	A1*	6/2016	Goldish .....	A61B 5/447 600/474
2020/0275893	A1*	9/2020	Markovic .....	A61B 5/742
2020/0345295	A1*	11/2020	Swerdlow .....	A61B 5/7275
2021/0275033	A1*	9/2021	Marine .....	A61B 5/0077
2021/0338148	A1*	11/2021	Marine .....	A61B 5/0035

\* cited by examiner

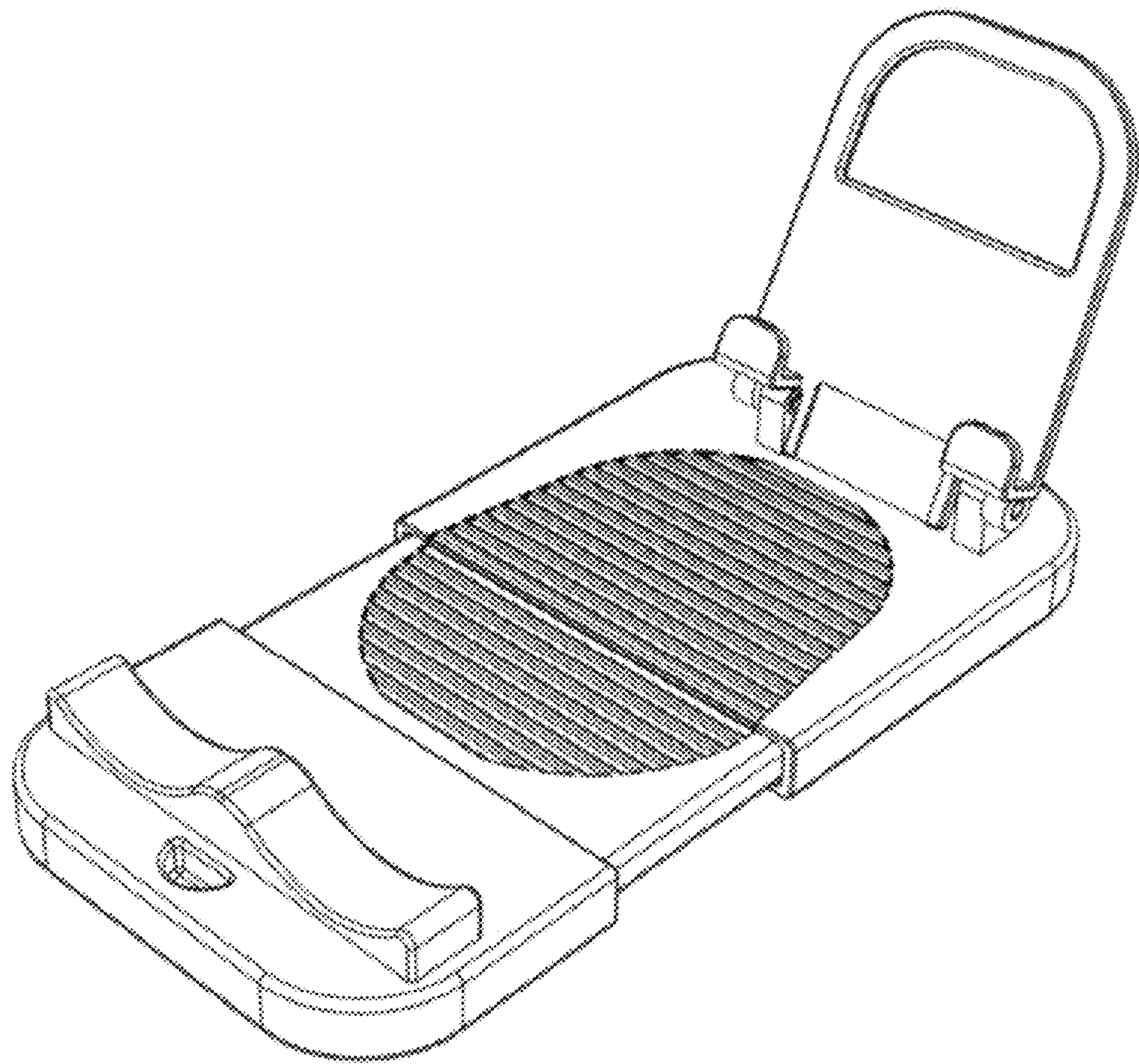
**1.1**



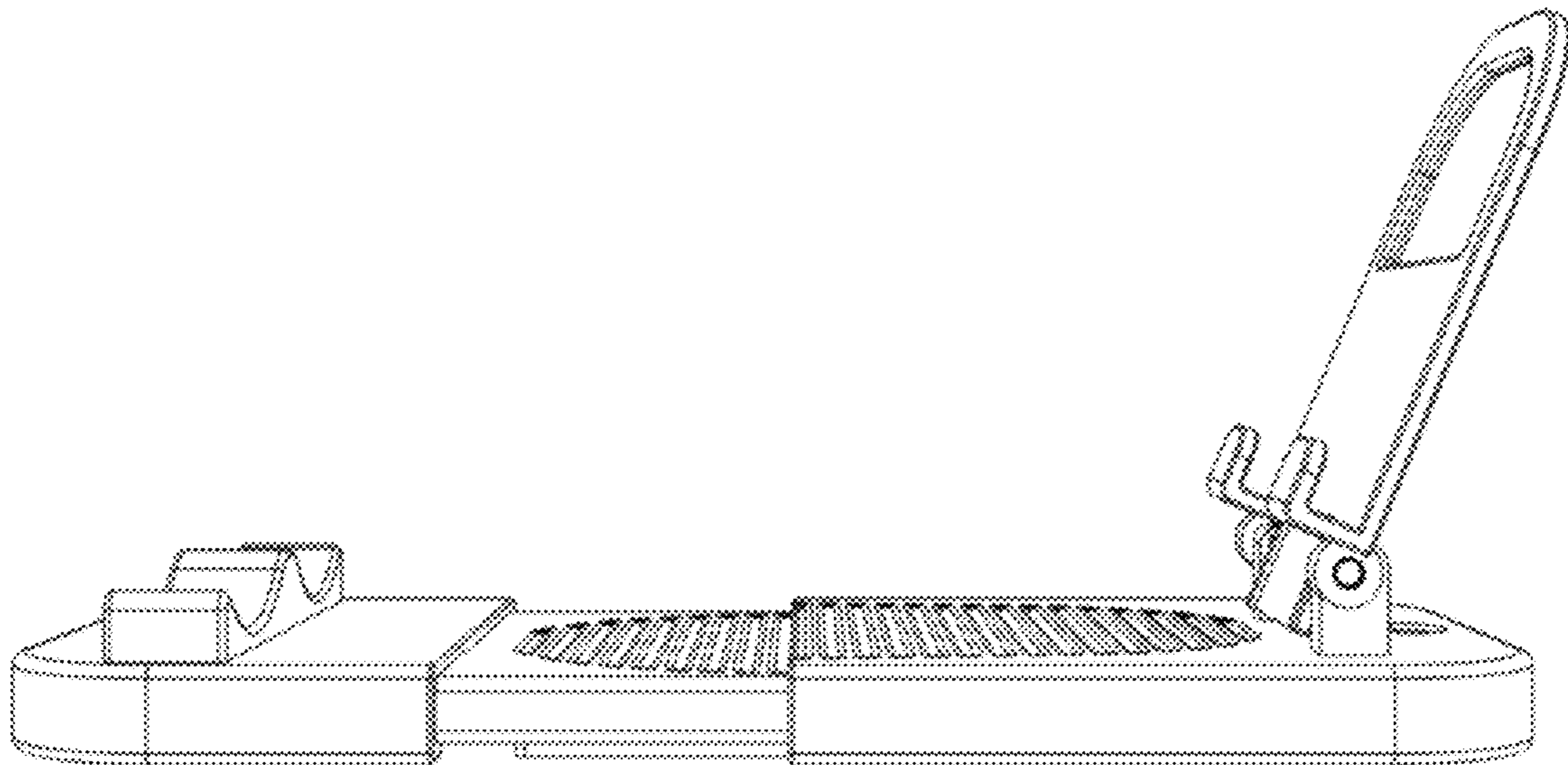
1.2



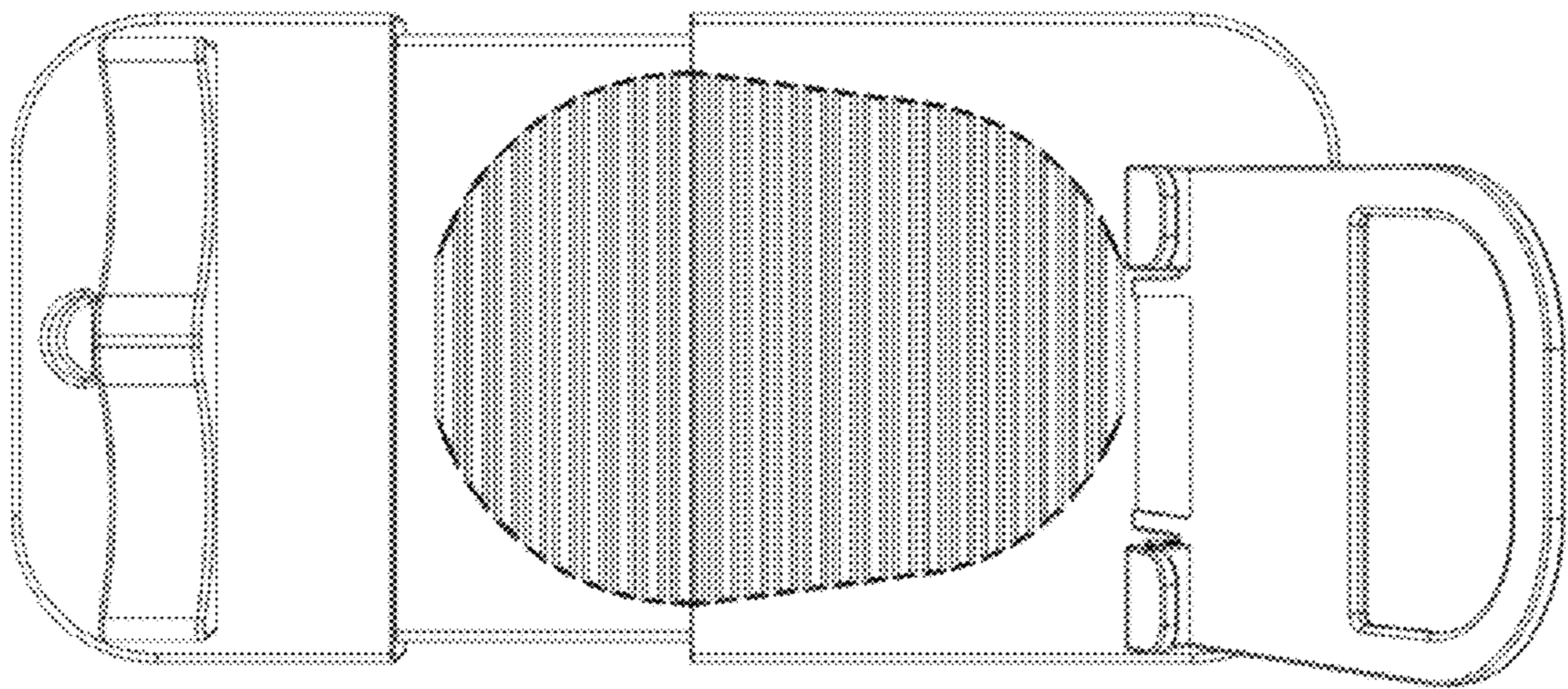
1.3



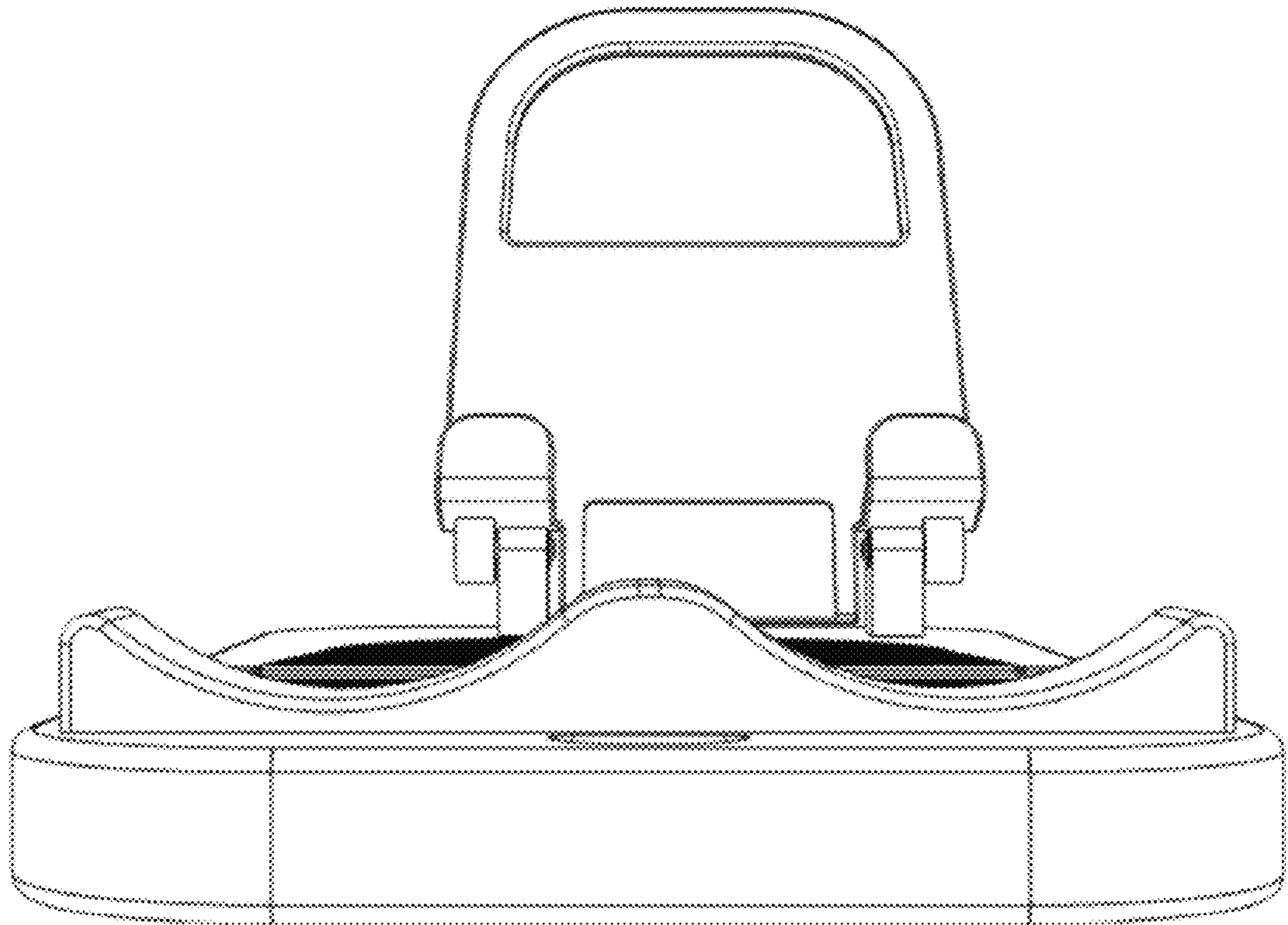
1.4



1.5



1.6





1.7

