



US00D965793S

(12) **United States Design Patent** (10) **Patent No.:** **US D965,793 S**  
**Gupta et al.** (45) **Date of Patent:** **\*\* Oct. 4, 2022**

- (54) **CART KEY PANEL**
- (71) Applicant: **GE Precision Healthcare LLC**,  
Milwaukee, WI (US)
- (72) Inventors: **Ashish Gupta**, Karnataka (IN);  
**Mahendra Patil**, Karnataka (IN)
- (73) Assignee: **GE Precision Healthcare LLC**,  
Milwaukee, WI (US)
- (\*\*) Term: **15 Years**
- (21) Appl. No.: **29/789,611**
- (22) Filed: **Oct. 4, 2021**

D666,159 S 8/2012 Adenau  
 D695,409 S \* 12/2013 Drysdale ..... D24/185  
 D717,446 S 11/2014 Lu et al.  
 (Continued)

**OTHER PUBLICATIONS**

Gupta, A. et al., "An Ornamental Design for a Cart," U.S. Appl. No. 29/731,529, filed Apr. 15, 2020, 32 pages.

*Primary Examiner* — Anhdao Doan

(74) *Attorney, Agent, or Firm* — McCoy Russell LLP

(57) **CLAIM**

The ornamental design for a cart key panel, as shown and described.

**Related U.S. Application Data**

- (62) Division of application No. 29/731,515, filed on Apr. 15, 2020, now Pat. No. Des. 938,045.
- (51) **LOC (13) Cl.** ..... **24-01**
- (52) **U.S. Cl.**  
USPC ..... **D24/186; D24/185**
- (58) **Field of Classification Search**  
USPC ..... D24/107, 158, 160, 185, 186, 187, 231,  
D24/232; D14/391, 392, 397, 455, 456,  
D14/315, 318; D18/1, 2, 7, 52, 53  
CPC ..... A61B 8/4405; A61B 8/4416; A61B 8/462;  
A61B 8/467; A61B 50/13; A61B 5/338;  
A61G 12/001  
See application file for complete search history.

**DESCRIPTION**

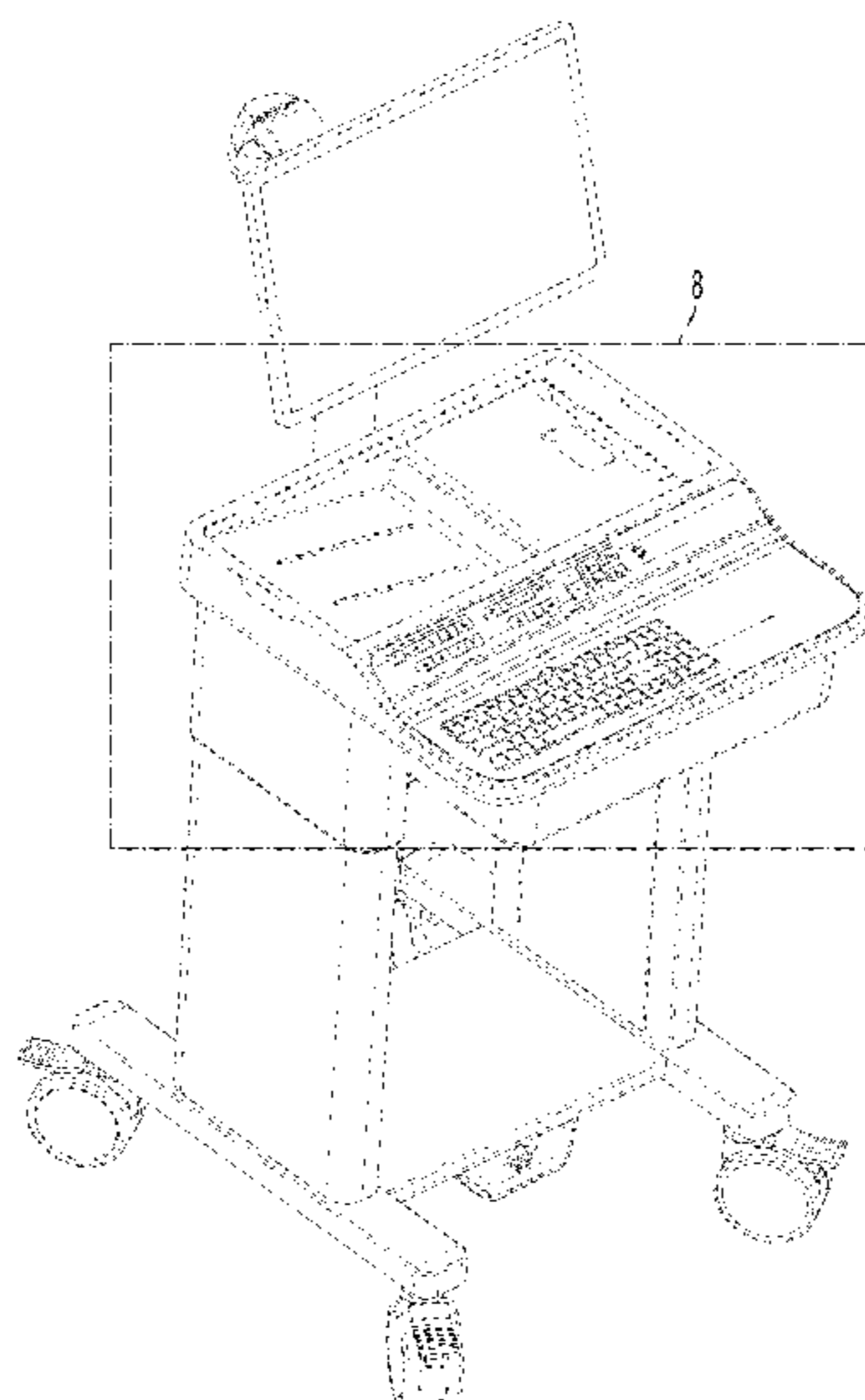
FIG. 1 is a front-right perspective view of a cart key panel according to the claimed design.  
 FIG. 2 is a front view of the cart key panel.  
 FIG. 3 is a rear view of the cart key panel.  
 FIG. 4 is a right side view of the cart key panel.  
 FIG. 5 is a left side view of the cart key panel.  
 FIG. 6 is a top view of the cart key panel.  
 FIG. 7 is a bottom view of the cart key panel.  
 FIG. 8 is an enlarged view of the enclosed portion in FIG. 1.  
 FIG. 9 is an enlarged view of the corresponding enclosed portion in FIG. 6.  
 FIG. 10 is an enlarged view of the corresponding enclosed portion in FIG. 6; and,  
 FIG. 11 is an enlarged view of the corresponding enclosed portion in FIG. 6.  
 The dash-dash broken lines in the drawings illustrate portions of the cart key panel that form no part of the claimed design.  
 The dash-dot broken lines in FIGS. 1, 6, and 8-11 of the drawings showing the enclosed portions and section line form no part of the claimed design.

(56) **References Cited**

**U.S. PATENT DOCUMENTS**

- 4,150,906 A 4/1979 Bernard
- D334,062 S 3/1993 Davis et al.
- D355,717 S 2/1995 Murakami et al.
- D356,792 S 3/1995 Murakami et al.
- 6,669,639 B1 12/2003 Miller et al.
- D541,942 S 5/2007 Hirson et al.
- D630,751 S 1/2011 Yanase et al.
- D665,083 S 8/2012 Yang

**1 Claim, 11 Drawing Sheets**



(56)

**References Cited**

U.S. PATENT DOCUMENTS

D722,172 S	2/2015	Amemiya et al.	
D748,805 S	2/2016	Wolfson	
D820,907 S *	6/2018	Brown .....	D18/53
D843,585 S	3/2019	Wu et al.	
D938,045 S *	12/2021	Gupta .....	D24/185
D938,046 S *	12/2021	Gupta .....	D24/185
2006/0264746 A1 *	11/2006	Frisa .....	A61B 8/461 600/447

\* cited by examiner

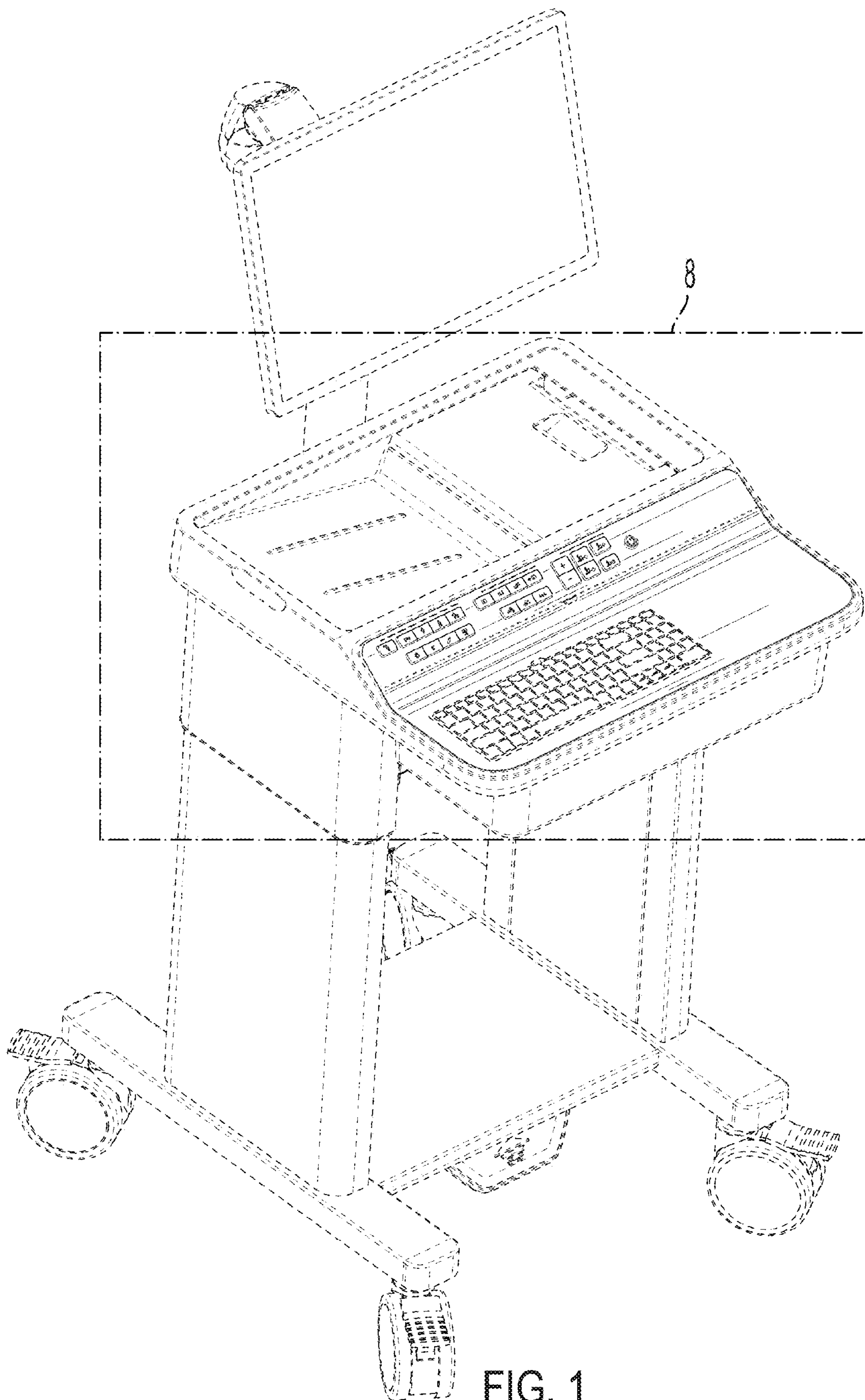


FIG. 1

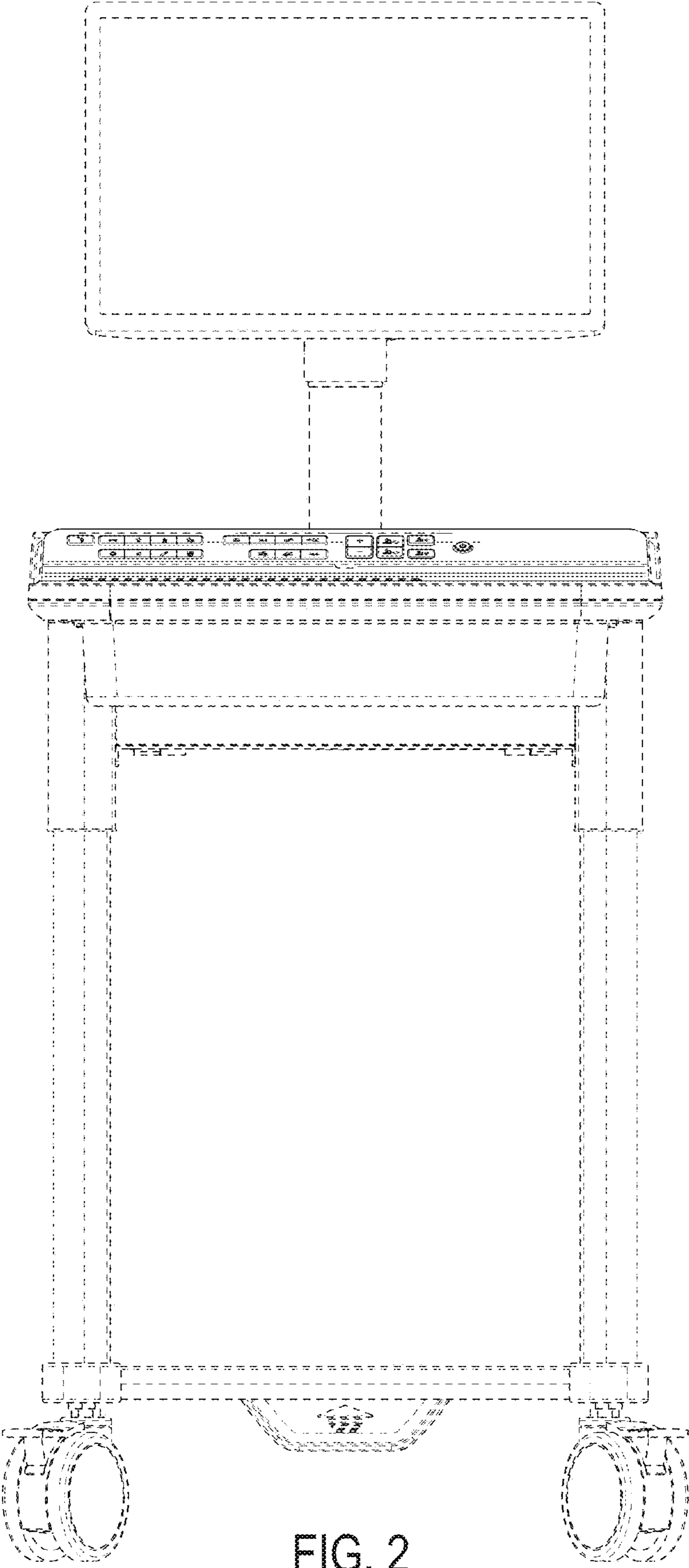


FIG. 2

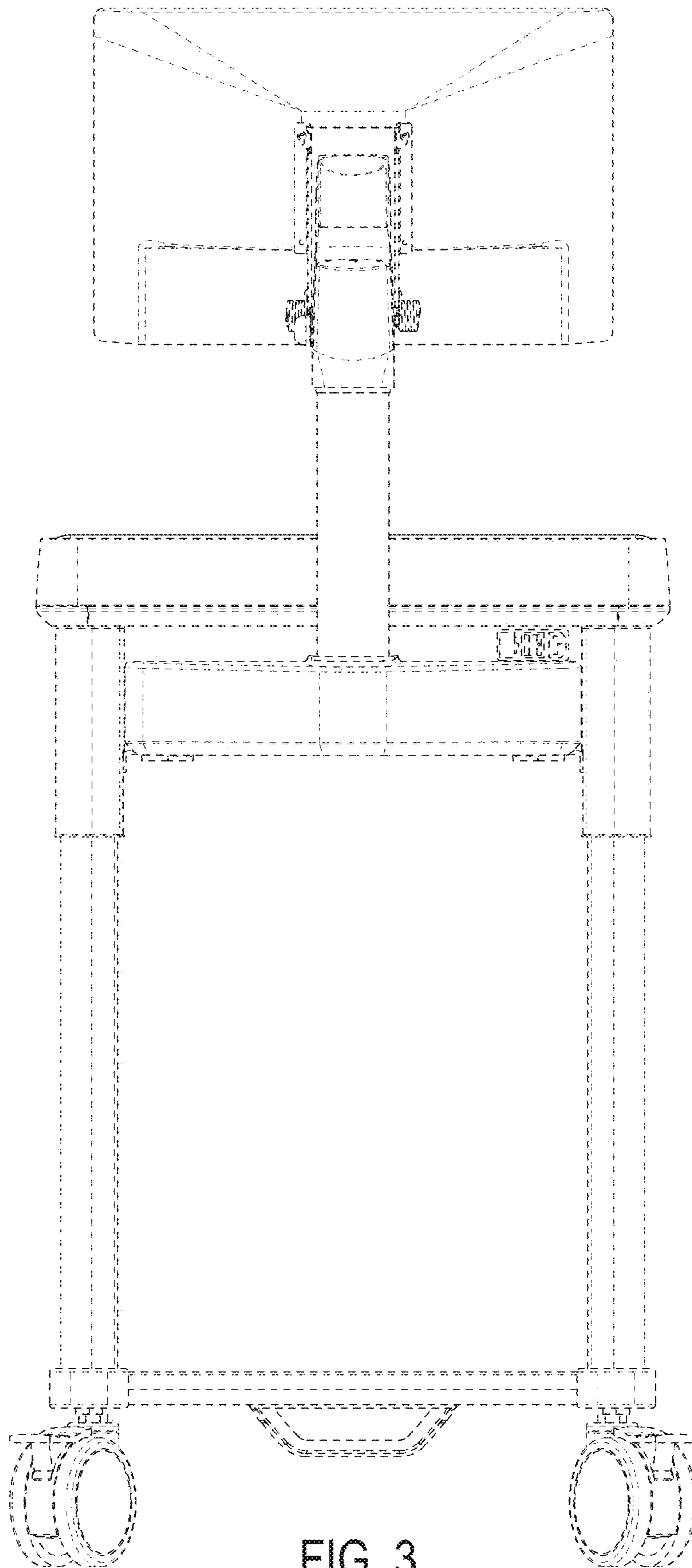


FIG. 3

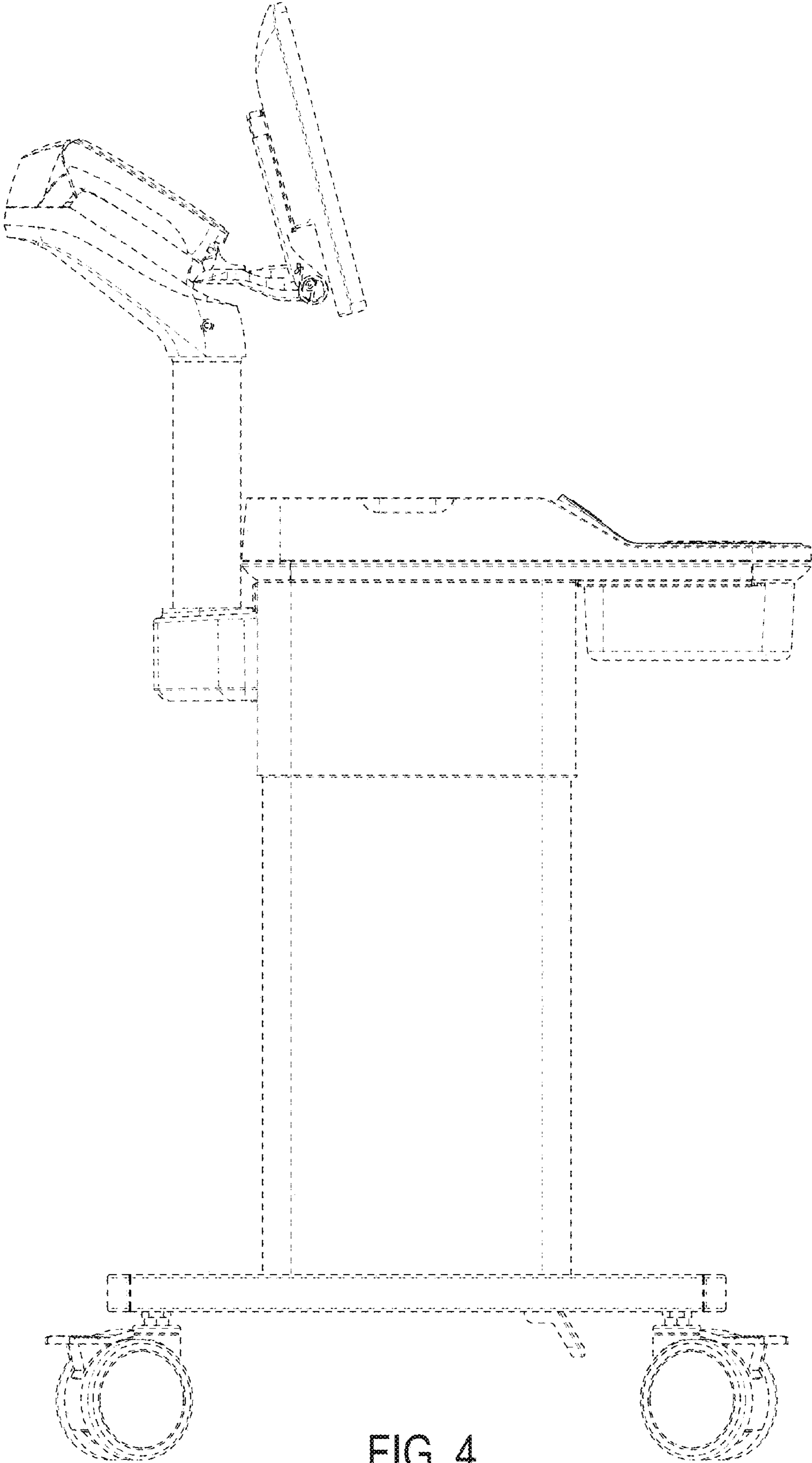


FIG. 4

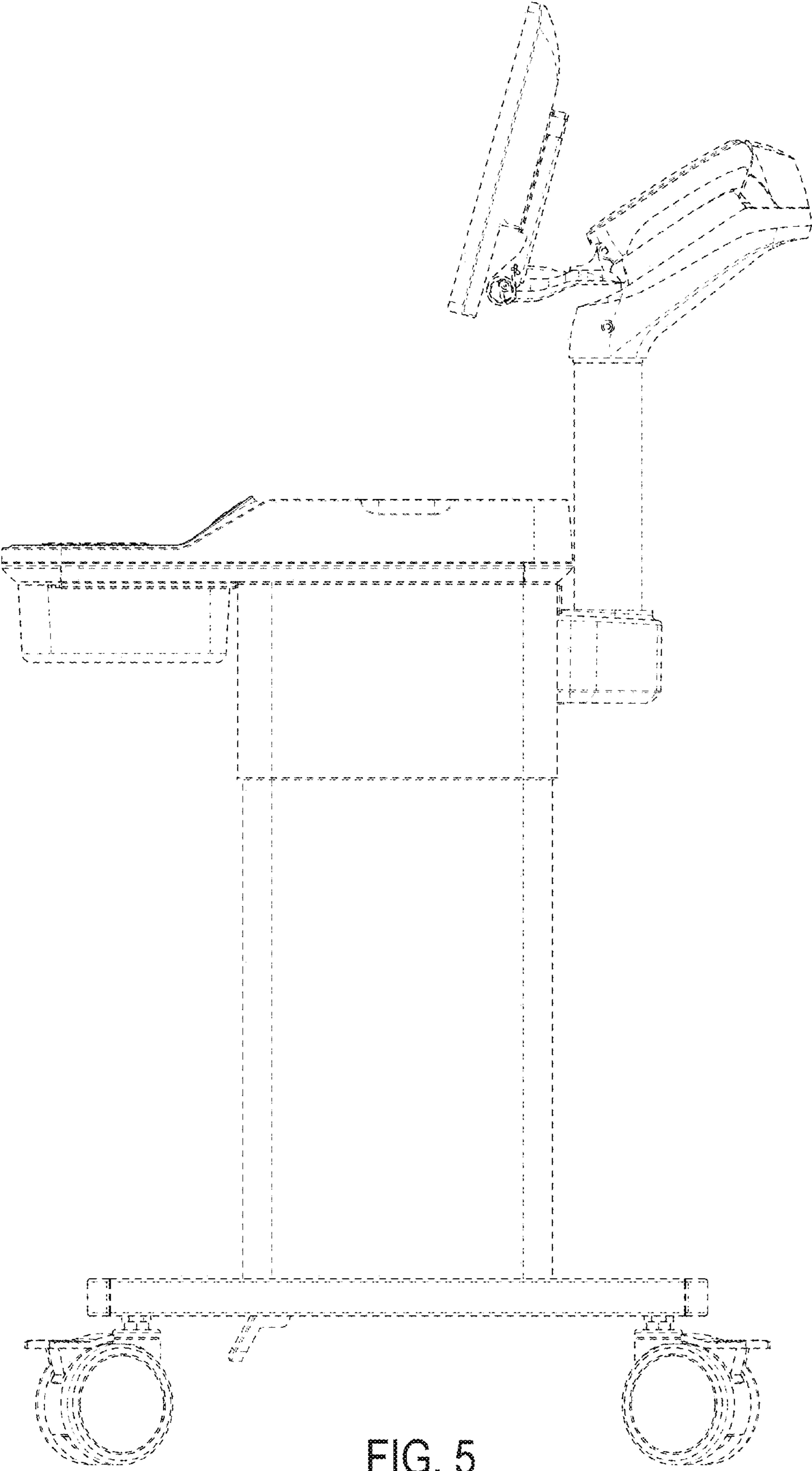


FIG. 5

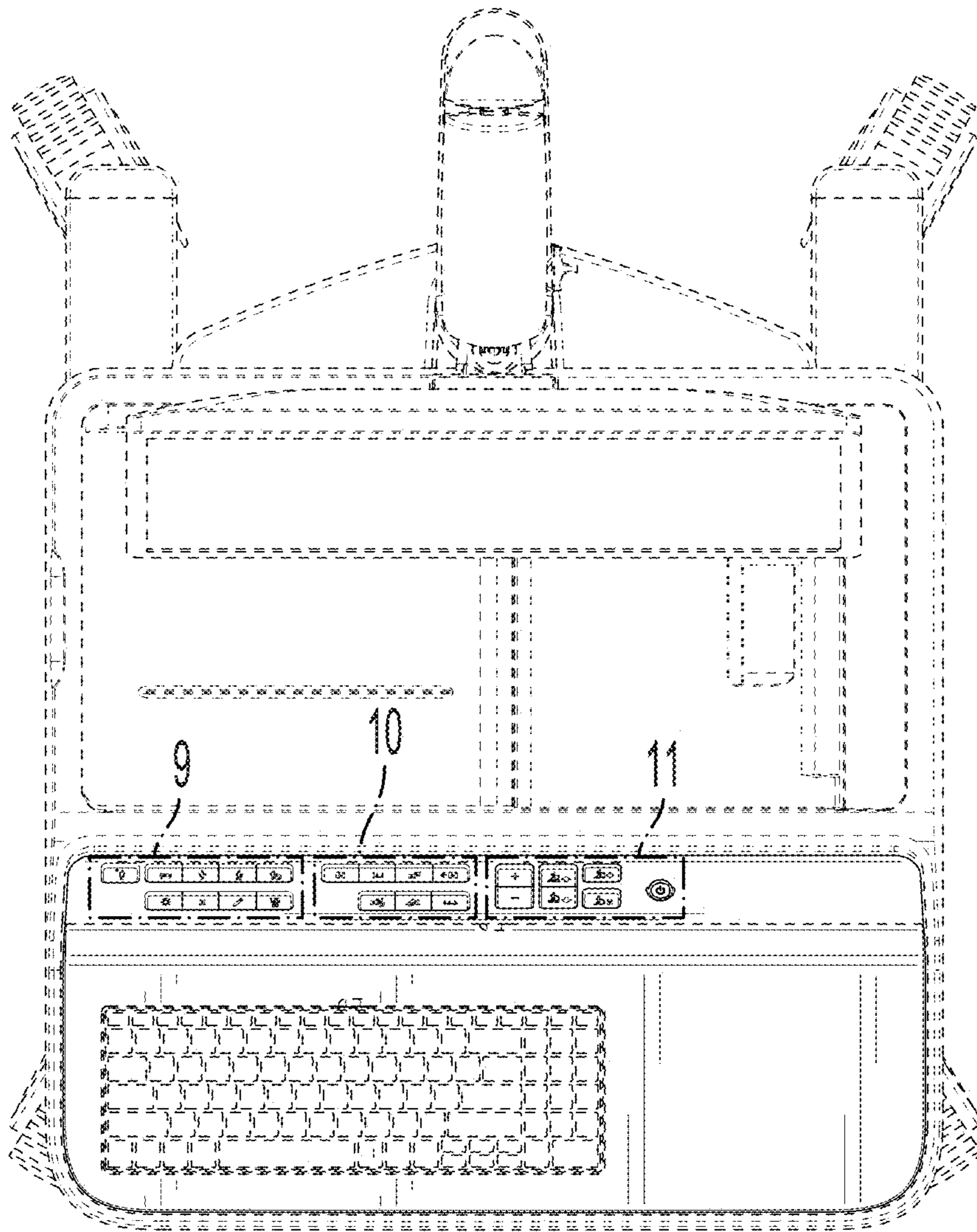


FIG. 6



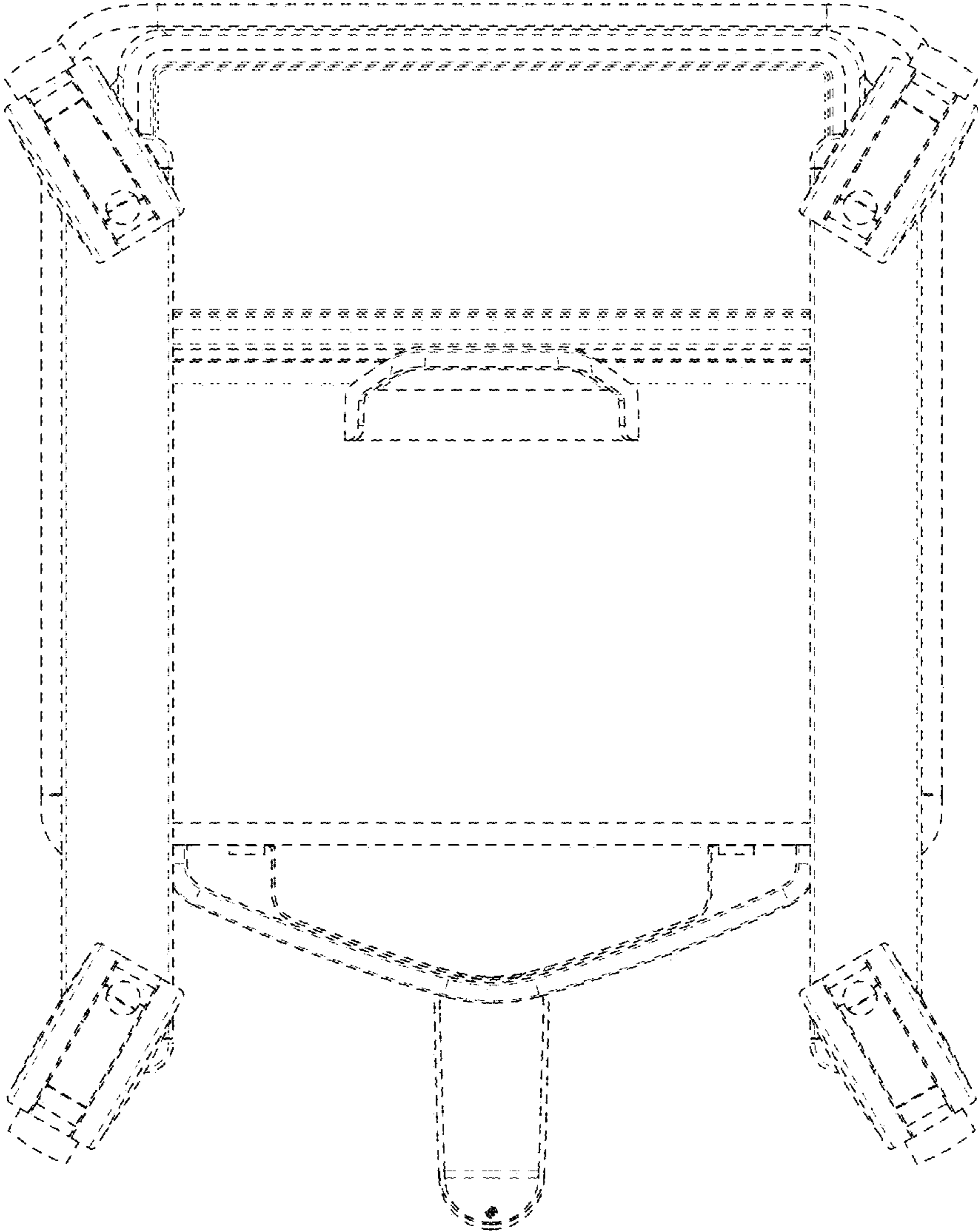


FIG. 7

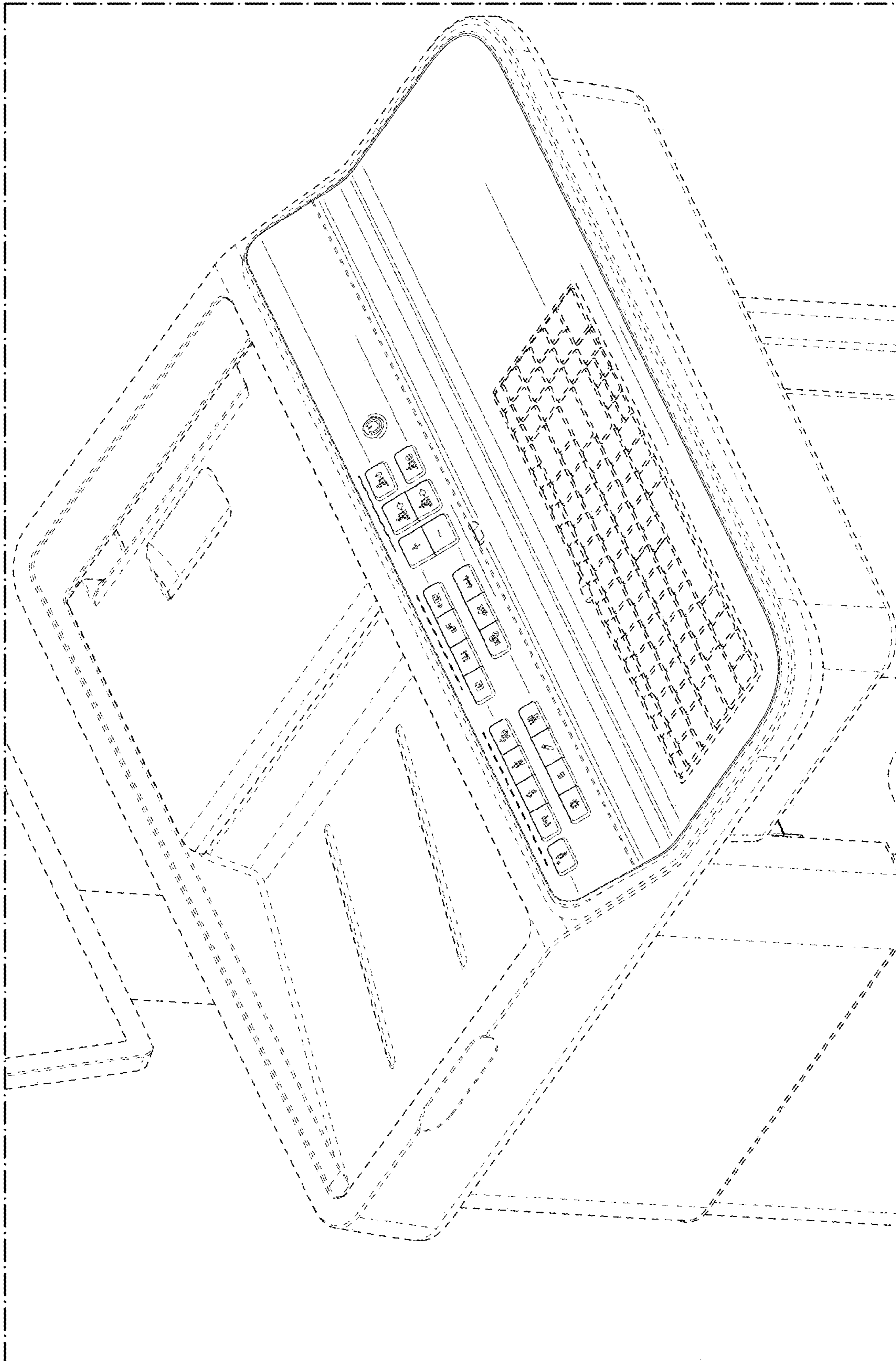


FIG. 8

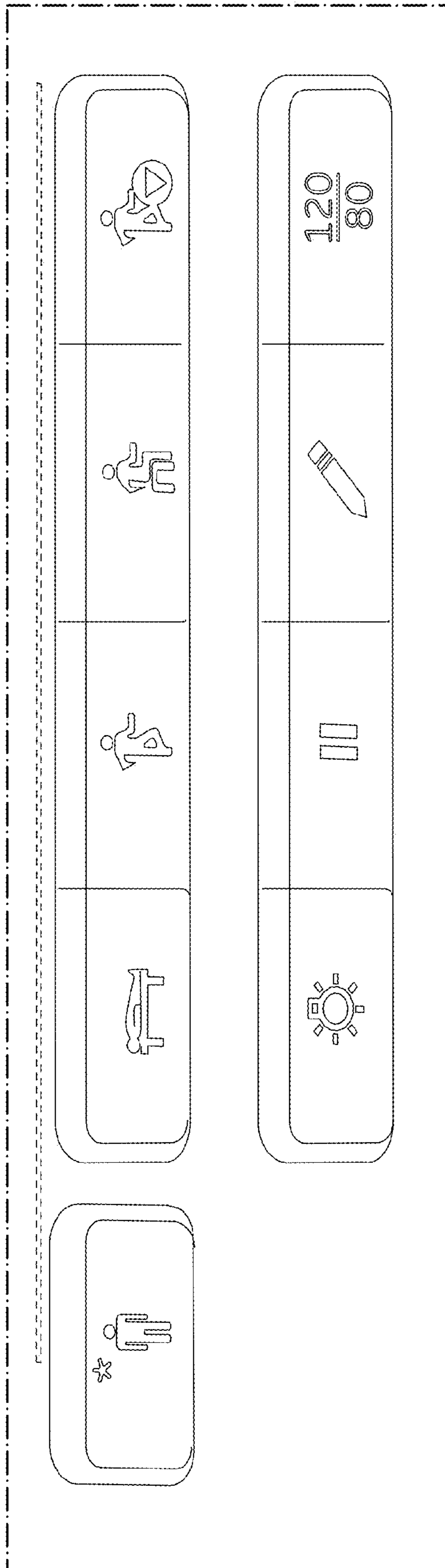


FIG. 9

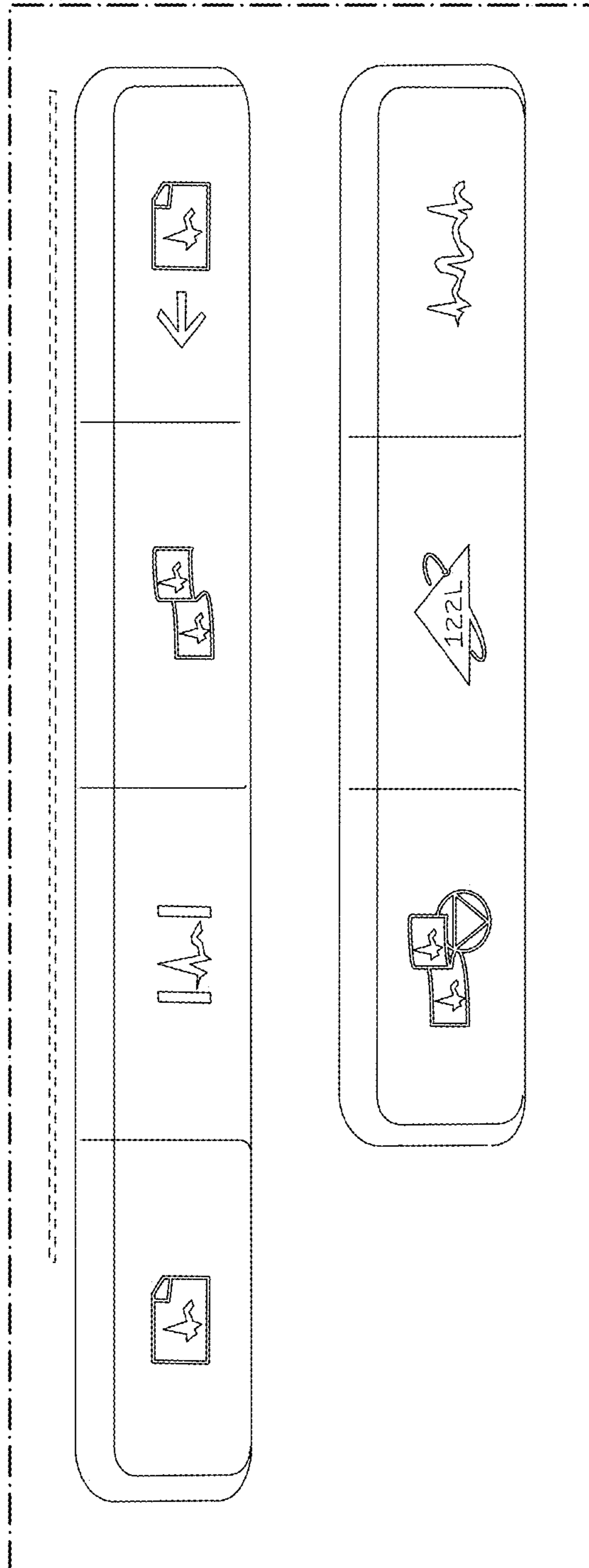


FIG. 10

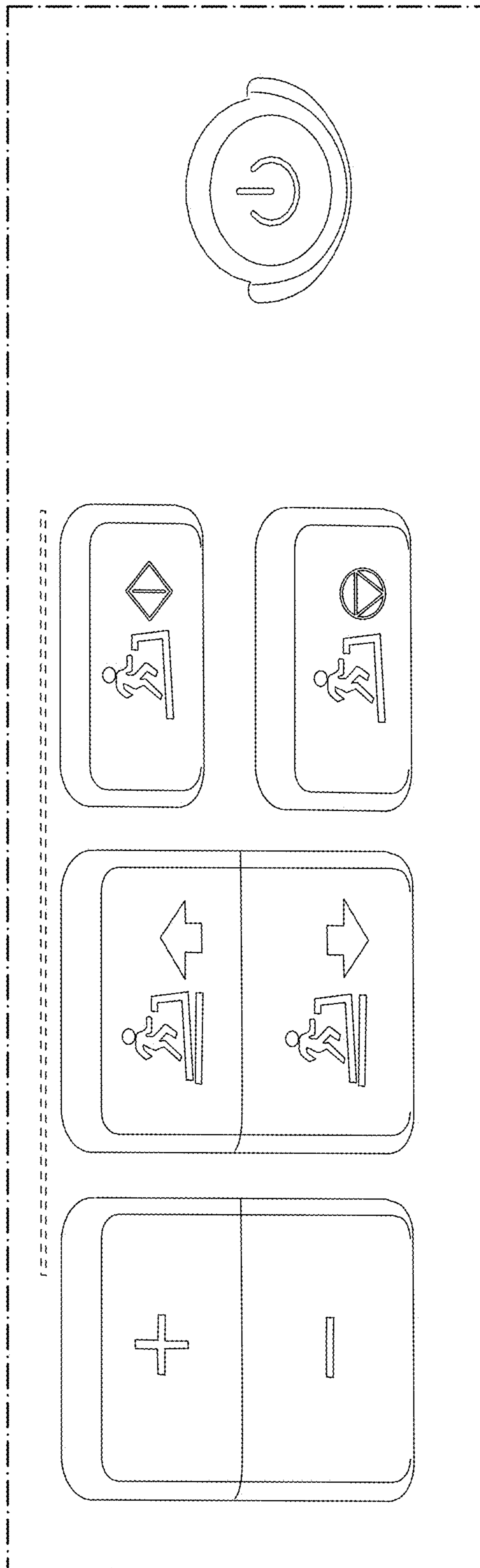


FIG. 11