



US00D965790S

(12) **United States Design Patent**  
**De Marco**

(10) **Patent No.:** **US D965,790 S**  
(45) **Date of Patent:** **\*\* Oct. 4, 2022**

(54) **SENSOR DEVICE**  
(71) Applicant: **Aktiia SA**, Neuchâtel (CH)  
(72) Inventor: **Bastien De Marco**, Lausanne (CH)  
(\*\*) Term: **15 Years**  
(21) Appl. No.: **35/512,048**  
(22) Filed: **Dec. 24, 2020**

D836,201 S *	12/2018	Lee .....	D24/165
D849,950 S *	5/2019	Nishiyama .....	D24/165
D849,951 S *	5/2019	Nishiyama .....	D24/165
D851,768 S *	6/2019	Shibayama .....	D24/165
D857,204 S *	8/2019	Akamatsu .....	D24/165
D871,585 S *	12/2019	Nishiyama .....	D24/165
D889,660 S *	7/2020	Xia .....	D24/165
D889,661 S *	7/2020	Ogihara .....	D24/165
D896,386 S *	9/2020	Klepper .....	D24/165
D903,871 S *	12/2020	Wang .....	D24/165
D908,882 S *	1/2021	De Marco .....	D24/165
D925,041 S *	7/2021	Luk .....	D24/165
2008/0039731 A1 *	2/2008	McCombie .....	A61B 5/02255 600/485

(80) **Hague Agreement Data**

Int. Filing Date: **Dec. 24, 2020**  
Int. Reg. No.: **DM/212038**  
Int. Reg. Date: **Dec. 24, 2020**  
Int. Reg. Pub. Date: **Jun. 25, 2021**

\* cited by examiner

*Primary Examiner* — George D. Kirschbaum

(51) **LOC (13) Cl.** ..... **24-02**  
(52) **U.S. Cl.**  
USPC ..... **D24/165**  
(58) **Field of Classification Search**  
USPC ..... D24/165  
See application file for complete search history.

(57) **CLAIM**

The ornamental design for a sensor device, as shown and described.

**DESCRIPTION**

(56) **References Cited**

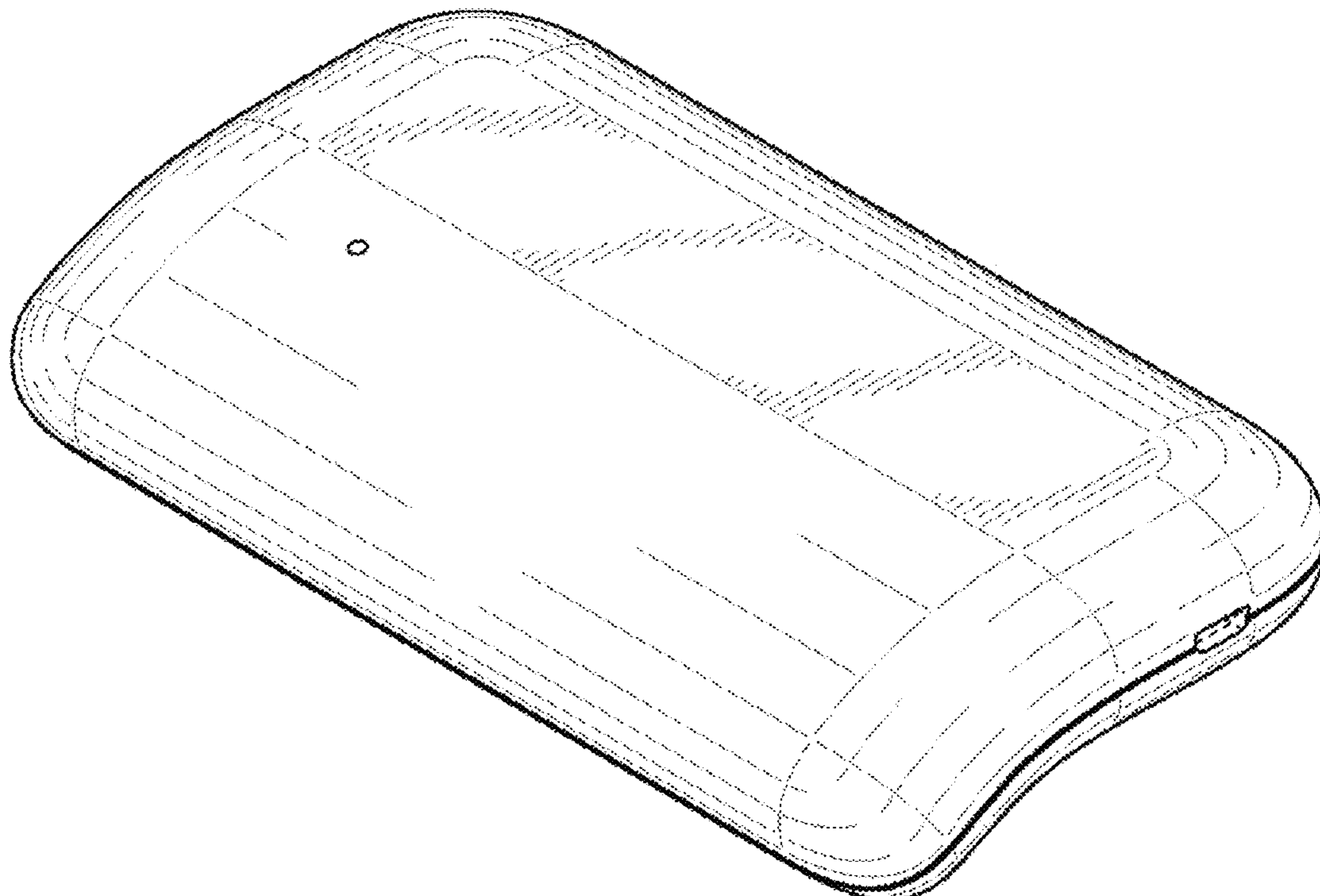
U.S. PATENT DOCUMENTS

D458,375 S *	6/2002	Thede .....	D24/165
D639,436 S *	6/2011	Hara .....	D24/165
D683,028 S *	5/2013	Hara .....	D24/165
D747,488 S *	1/2016	Shibata .....	D24/165
D755,974 S *	5/2016	Chen .....	D24/165
D760,391 S *	6/2016	Eshita .....	D24/165
D834,716 S *	11/2018	Shibayama .....	D24/165

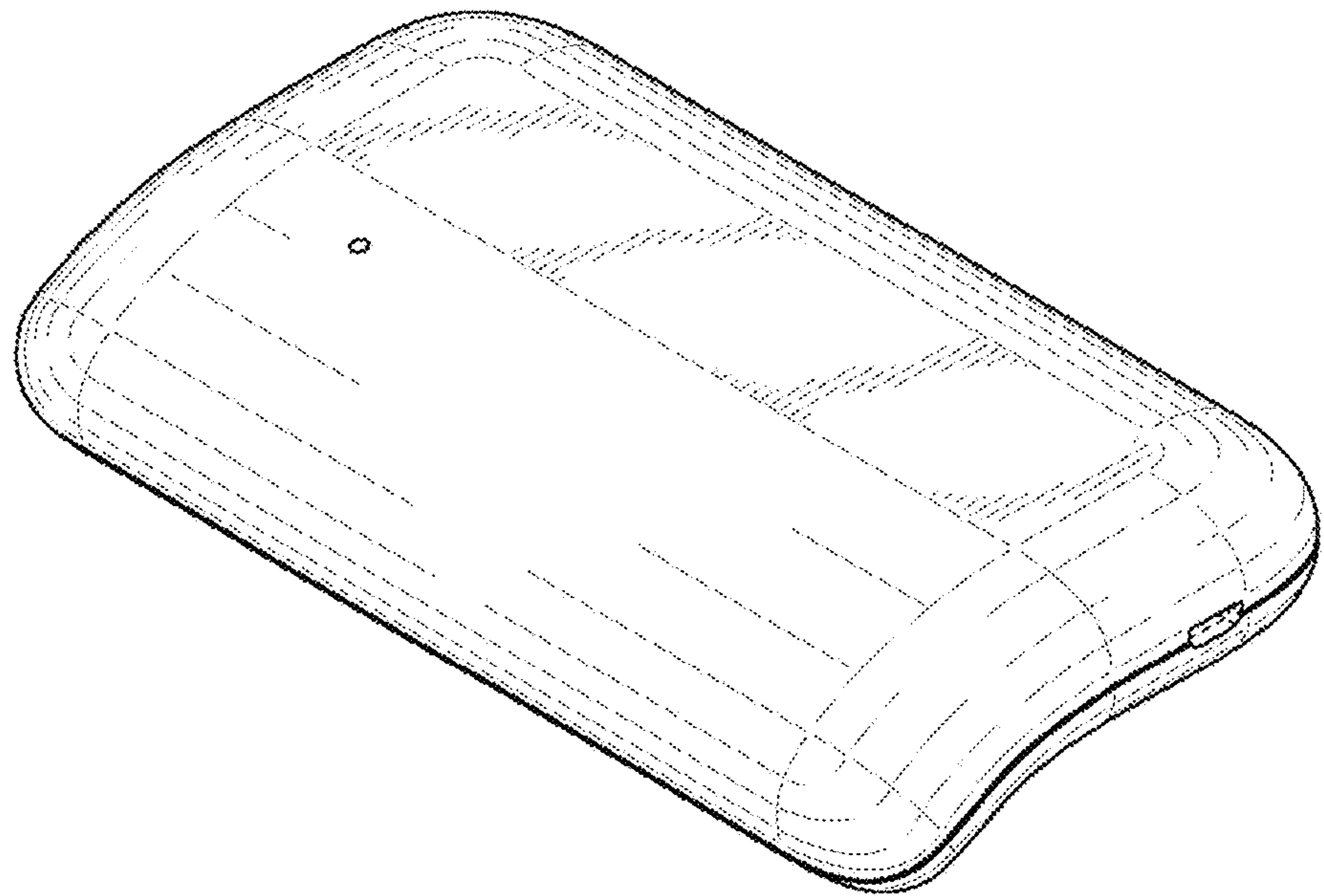
- 1. Sensor device
- 1.1 : Perspective
- 1.2 : Perspective
- 1.3 : Front
- 1.4 : Back
- 1.5 : Top
- 1.6 : Bottom
- 1.7 : Left
- 1.8 : Right
- 1.9 : Environmental view

Fig. 1.9 represents a perspective view of the sensor device in environmental use; the broken lines depict environment and form no part of the claimed design.

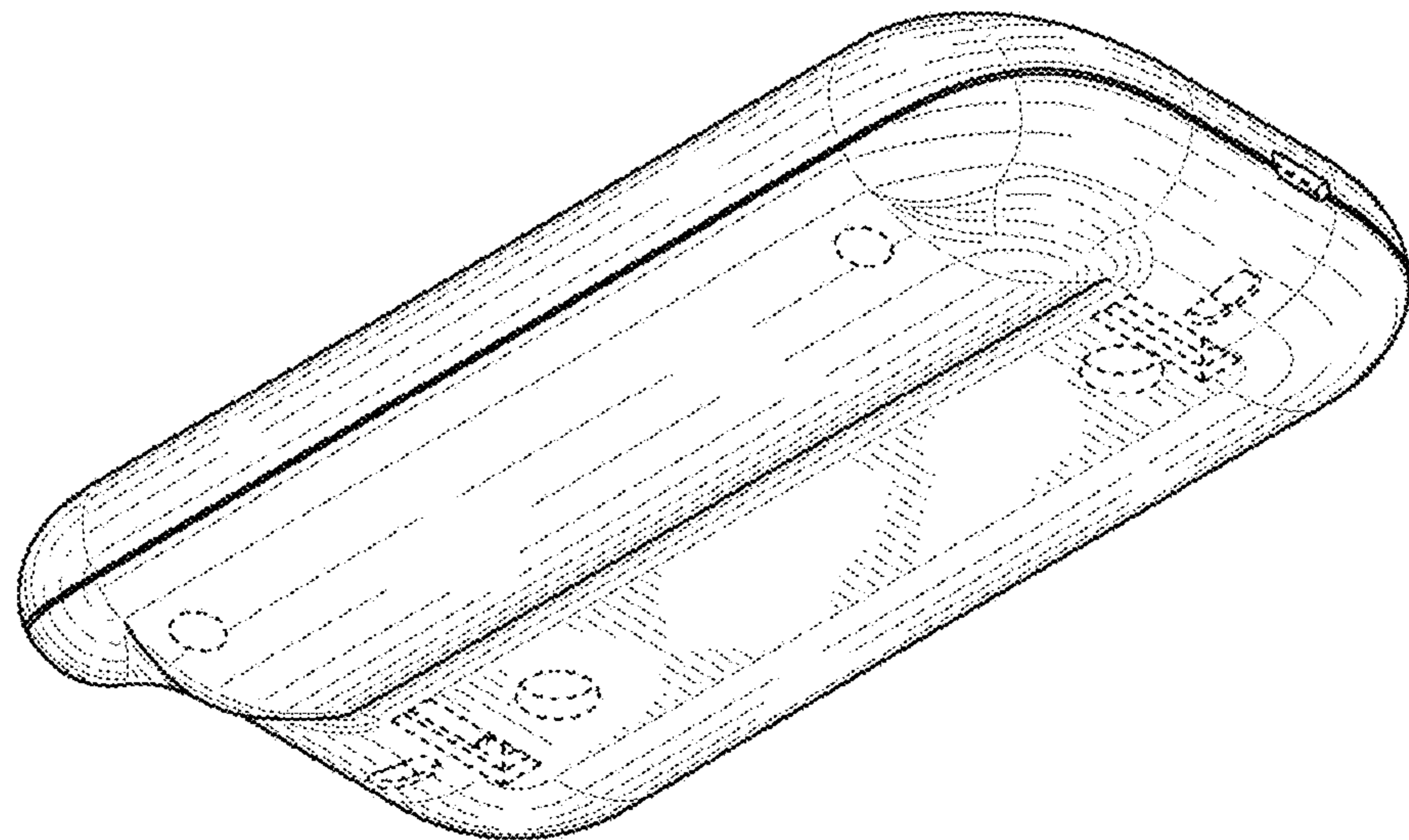
**1 Claim, 9 Drawing Sheets**



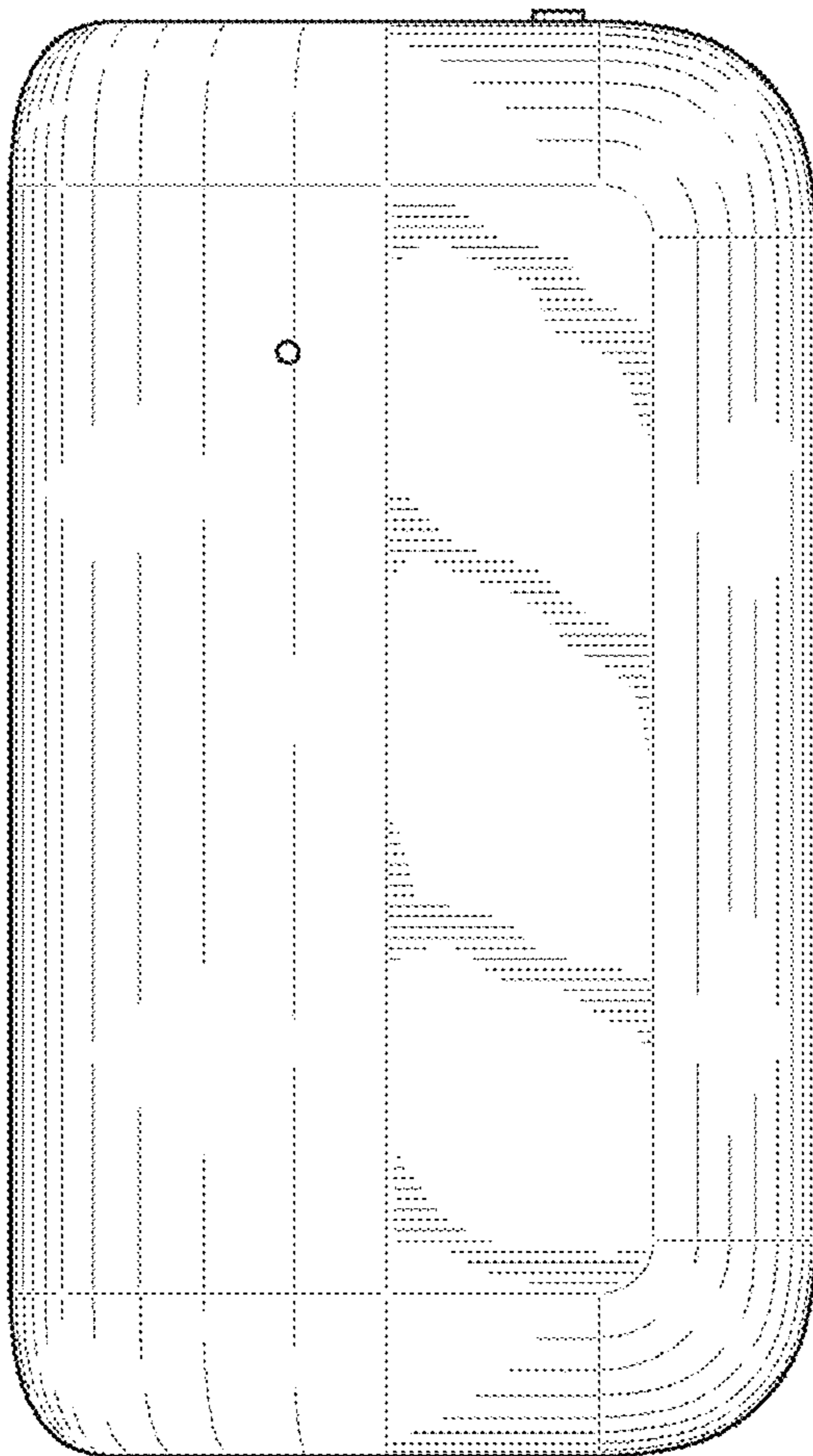
1.1



1.2

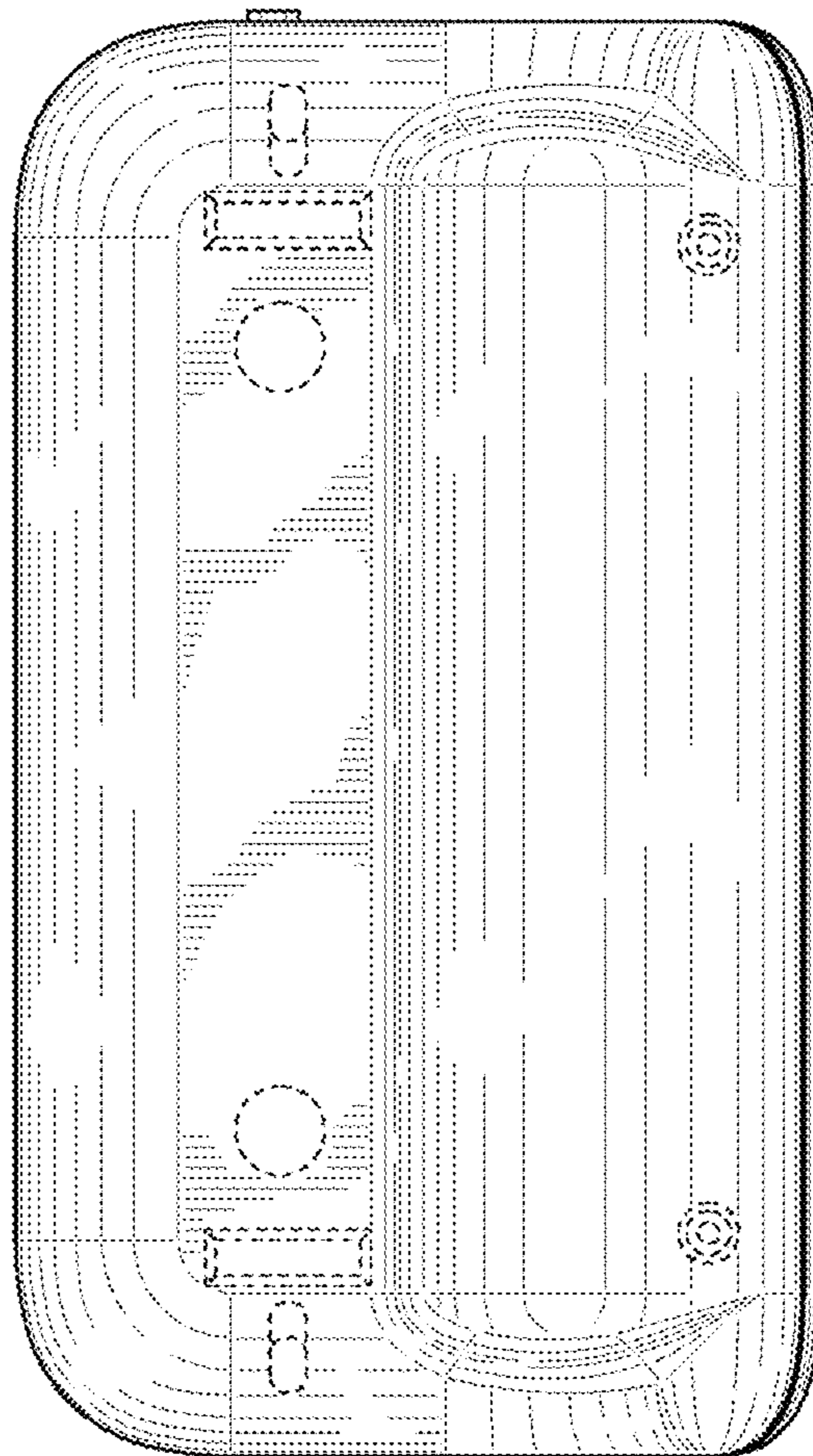


1.3

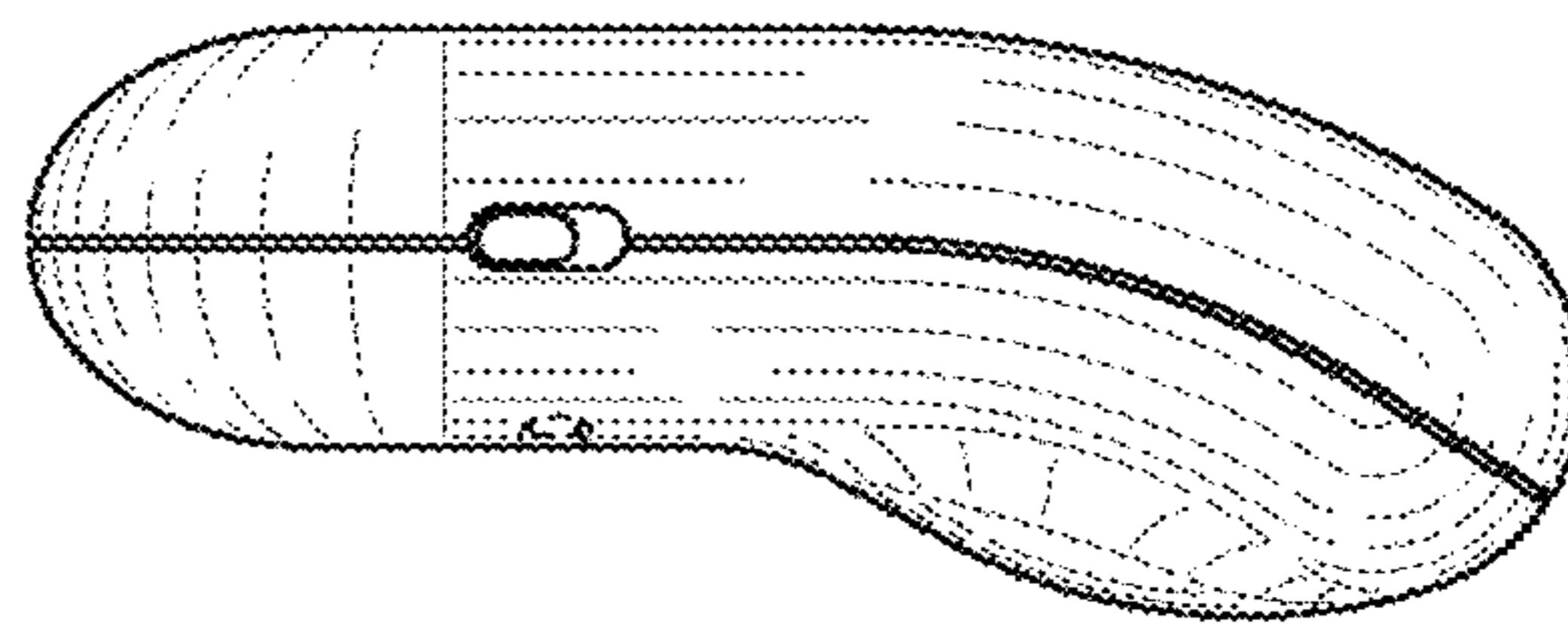




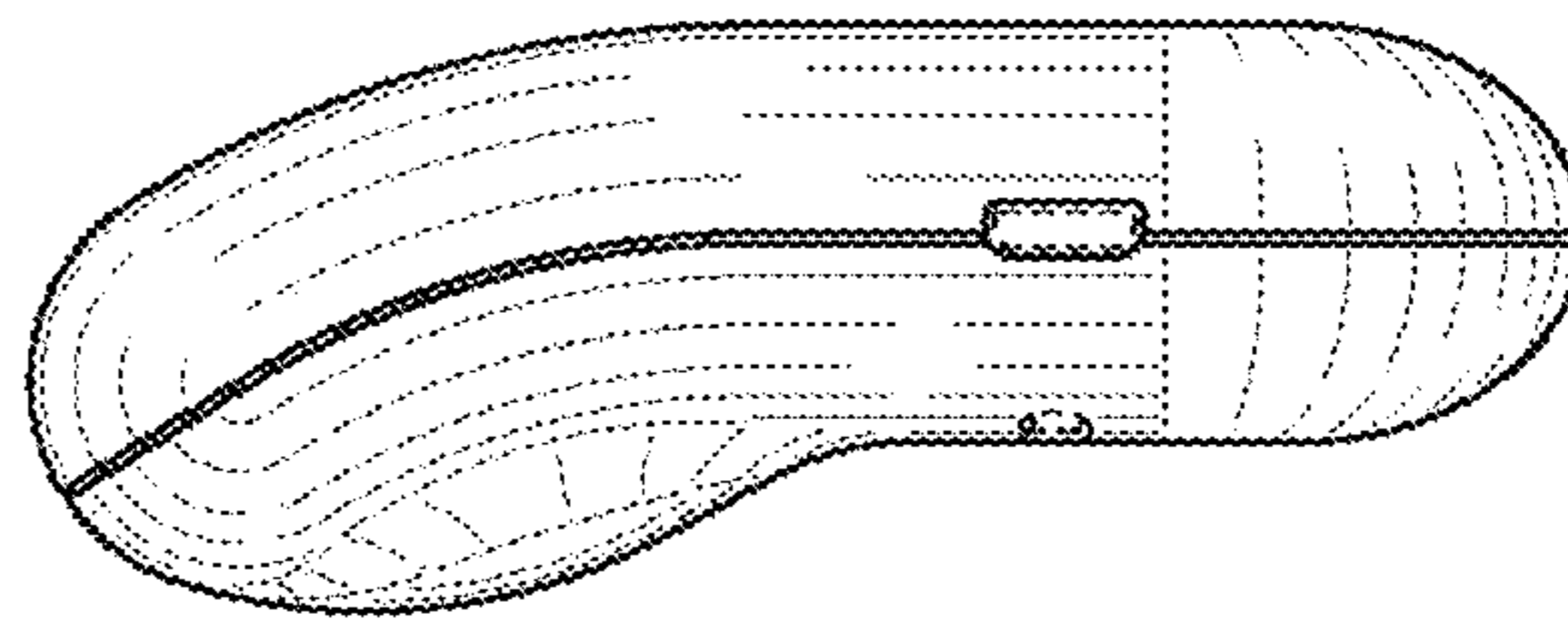
1.4



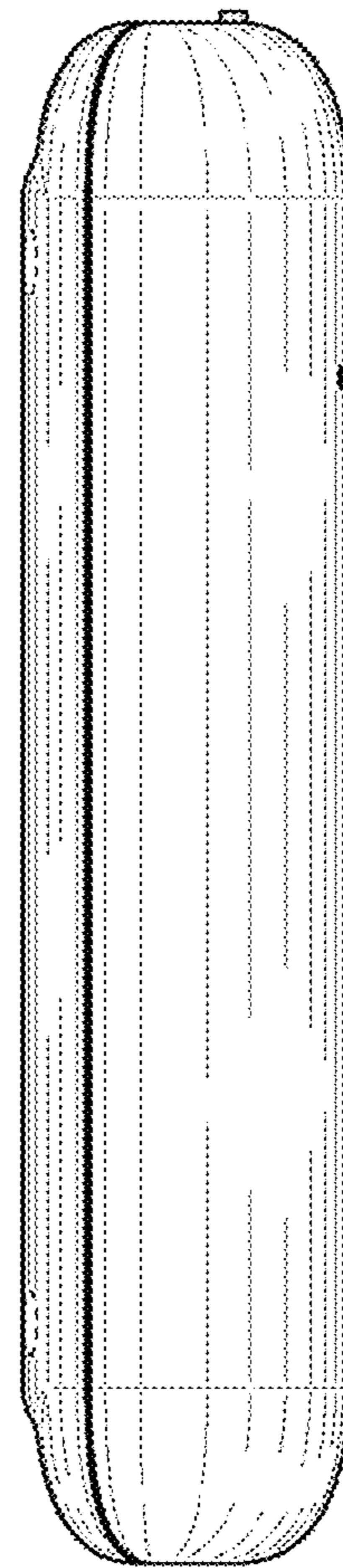
1.5



1.6

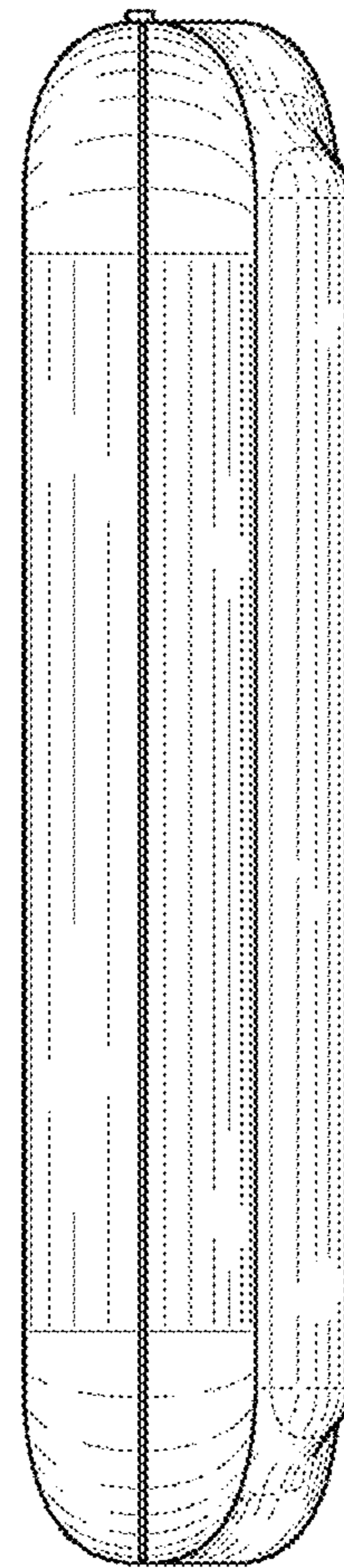


1.7





1.8



1.9

