



US00D965788S

(12) **United States Design Patent** (10) **Patent No.:** **US D965,788 S**  
**Buess** (45) **Date of Patent:** **\*\* Oct. 4, 2022**

(54) **TUBE FOR A BREATH ANALYSIS DEVICE**  
(71) Applicant: **ndd Medizintechnik AG**, Zurich (CH)  
(72) Inventor: **Christian Buess**, Horgen (CH)  
(73) Assignee: **ndd Medizintechnik AG**, Zurich (CH)  
(\*\*) Term: **15 Years**  
(21) Appl. No.: **29/744,536**  
(22) Filed: **Jul. 29, 2020**  
(51) **LOC (13) Cl.** ..... **24-02**  
(52) **U.S. Cl.**  
USPC ..... **D24/164**  
(58) **Field of Classification Search**  
USPC ..... D24/164, 186, 110, 129, 110.5, 110.6  
CPC ..... A61M 11/00; A61M 15/00; G01F 1/00;  
G01F 11/00; G01F 17/00; G01F 23/00;  
A62B 23/00; A61B 5/087; A61B 5/097;  
A61B 5/0875; G01N 33/4972; A63B  
23/18; G01D 3/0365  
See application file for complete search history.

(56) **References Cited**

**U.S. PATENT DOCUMENTS**

D659,835 S \* 5/2012 Benson ..... D24/164  
D692,140 S \* 10/2013 Alvino ..... D24/164  
D775,347 S \* 12/2016 Buess ..... D24/164  
D775,348 S \* 12/2016 Buess ..... D24/164

(Continued)

**FOREIGN PATENT DOCUMENTS**

CN 306375581 \* 3/2021  
EM 002605188-0001 \* 12/2014

(Continued)

**OTHER PUBLICATIONS**

EasyOne Air—Portable & PC Spirometer, Feb. 9, 2018, youtube.com [online], [site visited Jan. 25, 2022], Available from internet, URL: <<https://www.youtube.com/watch?v=BqJod43jJzg4>>%^ (Year: 2018).\*

(Continued)

*Primary Examiner* — Wendy L Arminio  
*Assistant Examiner* — Maheen Khurshid  
(74) *Attorney, Agent, or Firm* — McCoy Russell LLP

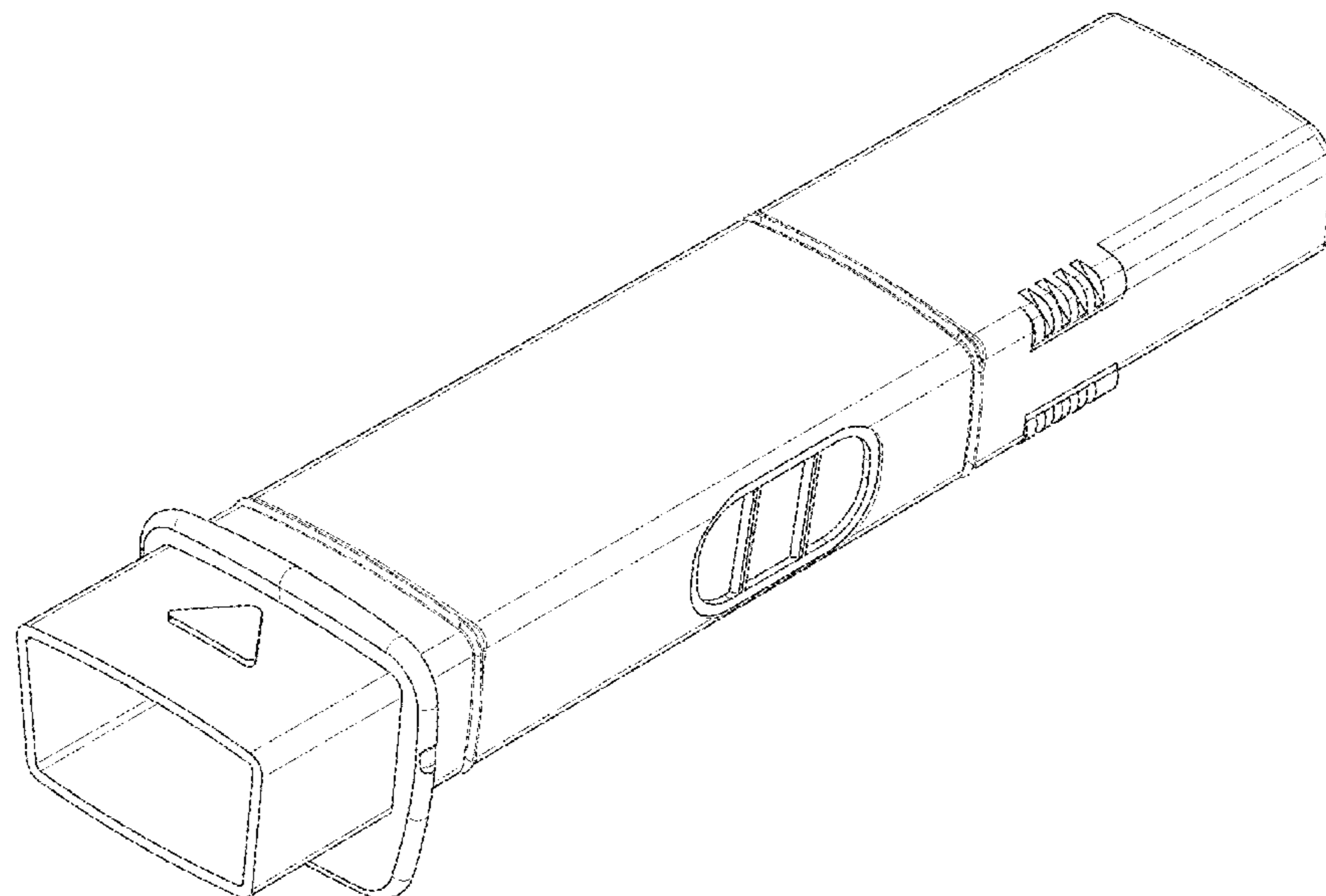
(57) **CLAIM**

The ornamental design for a tube for a breath analysis device, as shown and described.

**DESCRIPTION**

FIG. 1 is a perspective view of a tube for a breath analysis device according to a first embodiment of the claimed design.  
FIG. 2 is a left side view of the tube for a breath analysis device of FIG. 1.  
FIG. 3 is a bottom view of the tube for a breath analysis device of FIG. 1.  
FIG. 4 is a right side view of the tube for a breath analysis device of FIG. 1.  
FIG. 5 is an enlarged rear view of the tube for a breath analysis device of FIG. 1.  
FIG. 6 is an enlarged front view of the tube for a breath analysis device of FIG. 1.  
FIG. 7 is a perspective view of a tube for a breath analysis device according to a second embodiment of the claimed design.  
FIG. 8 is a left side view of the tube for a breath analysis device of FIG. 7.  
FIG. 9 is a bottom view of the tube for a breath analysis device of FIG. 7.  
FIG. 10 is a right side view of the tube for a breath analysis device of FIG. 7.  
FIG. 11 is an enlarged rear view of the tube for a breath analysis device of FIG. 7; and,  
FIG. 12 is an enlarged front view of the tube for a breath analysis device of FIG. 7.

**1 Claim, 12 Drawing Sheets**



(56)

References Cited

U.S. PATENT DOCUMENTS

D775,349 S \* 12/2016 Buess ..... D24/164  
 D775,350 S \* 12/2016 Buess ..... D24/164  
 D775,733 S \* 1/2017 Buess ..... D24/164  
 9,861,299 B1 \* 1/2018 Jones ..... A61B 5/097  
 D843,644 S \* 3/2019 Qiu ..... D27/101  
 D861,975 S \* 10/2019 Bowen ..... D27/162  
 10,786,178 B2 \* 9/2020 Buess ..... A61B 5/082  
 D903,095 S \* 11/2020 Boyle ..... D24/110  
 D916,274 S \* 4/2021 Aktas ..... D24/110.5  
 11,040,243 B2 \* 6/2021 Chesbrough ..... A61B 5/087  
 11,065,392 B1 \* 7/2021 Hoffer ..... A61M 15/08  
 2014/0228769 A1 \* 8/2014 Karlsson ..... A61M 5/31505  
 604/197  
 2016/0128608 A1 \* 5/2016 Buess ..... A61B 5/082  
 600/532  
 2018/0333076 A1 \* 11/2018 Kleinhapl ..... A61B 5/087  
 2020/0253487 A1 \* 8/2020 Fridman ..... A61B 5/14551

FOREIGN PATENT DOCUMENTS

GB 9007571351-0001 \* 1/2020  
 GB 9007571351-0002 \* 1/2020

OTHER PUBLICATIONS

Ndd's new inline filters, Jul. 21, 2020, nddmed.com [online], [site visited Jan. 25, 2022], Available from internet, URL: <<https://nddmed.com/de/neuigkeiten/ndds-new-inline-filters-offer-additional-protection-against-covid-19-during-lung-function-tests>> (Year: 2022).\*

Protective Case and Sanitary Mouth Rest for JUUL Vaporizer, Date first available Sep. 22, 2019, amazon.com [online], [site visited Jan. 25, 2022], Available from internet, URL: <[https://www.amazon.com/Protective-Case-Sanitary-Mouth-Vaporizer/dp/B07Y6VXPQM/ref=sr\\_1\\_13?crd=29CVP8Y56CX9I&keywords=vape%2Bdevice&qid=1643235051&sprefix=vape%2Bdevice%2Caps%2C89&sr=8-13&th=1](https://www.amazon.com/Protective-Case-Sanitary-Mouth-Vaporizer/dp/B07Y6VXPQM/ref=sr_1_13?crd=29CVP8Y56CX9I&keywords=vape%2Bdevice&qid=1643235051&sprefix=vape%2Bdevice%2Caps%2C89&sr=8-13&th=1)> (Year: 2019).\*

JUUL Vape, Date first available Oct. 20, 2017, amazon.com [online], [site visited Jan. 25, 2022], Available from internet, URL: <[https://www.amazon.com/ITS-Charger-Sticker-Sleeve-Hombre/dp/B07GVQSS32/ref=sr\\_1\\_1?crd=1DYVGYQ3WKKJM&keywords=vape&qid=1643235028&sprefix=vap%2Caps%2C180&sr=8-1](https://www.amazon.com/ITS-Charger-Sticker-Sleeve-Hombre/dp/B07GVQSS32/ref=sr_1_1?crd=1DYVGYQ3WKKJM&keywords=vape&qid=1643235028&sprefix=vap%2Caps%2C180&sr=8-1)> (Year: 2017).\*

\* cited by examiner

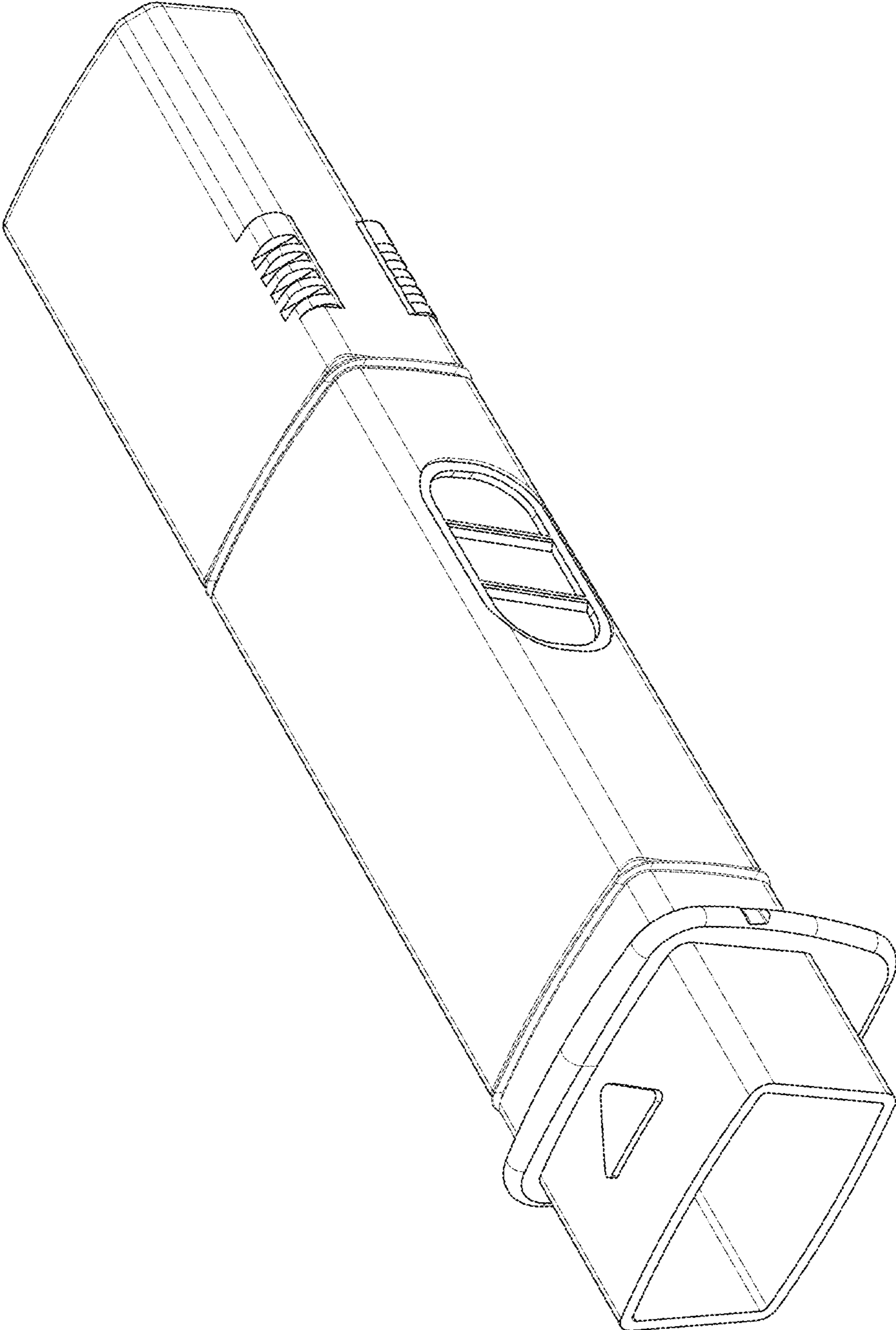


FIG. 1

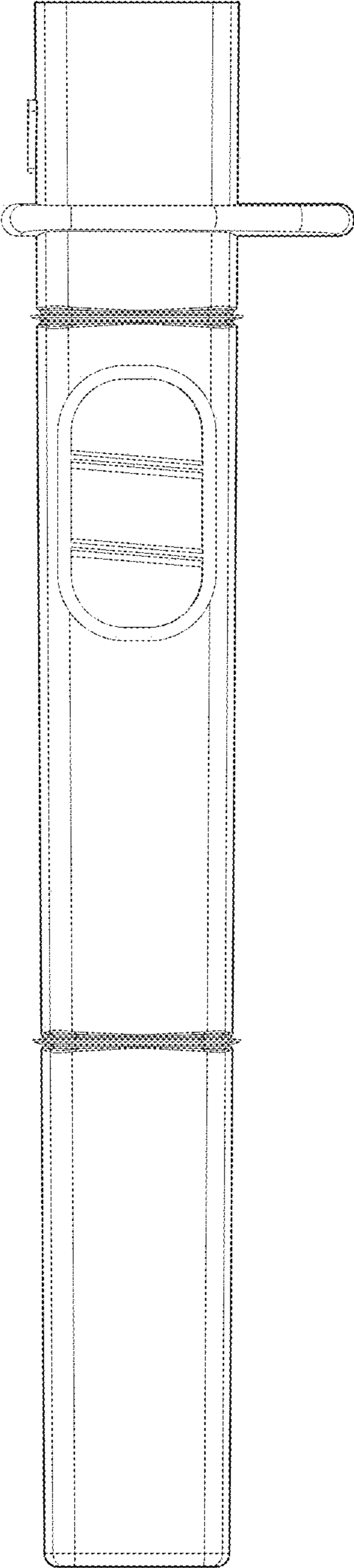


FIG. 2

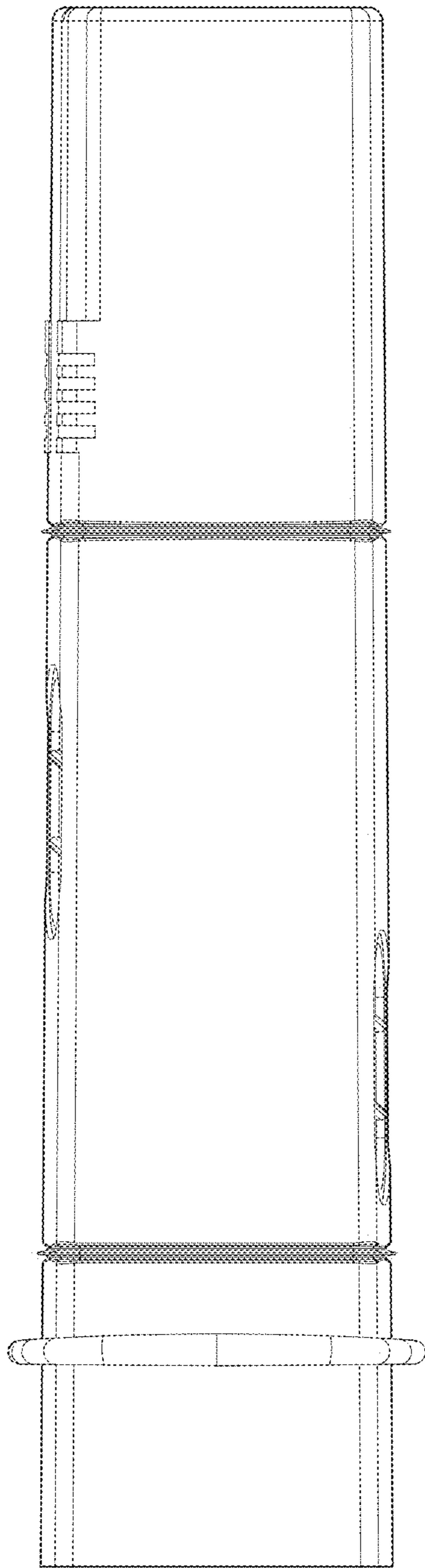


FIG. 3



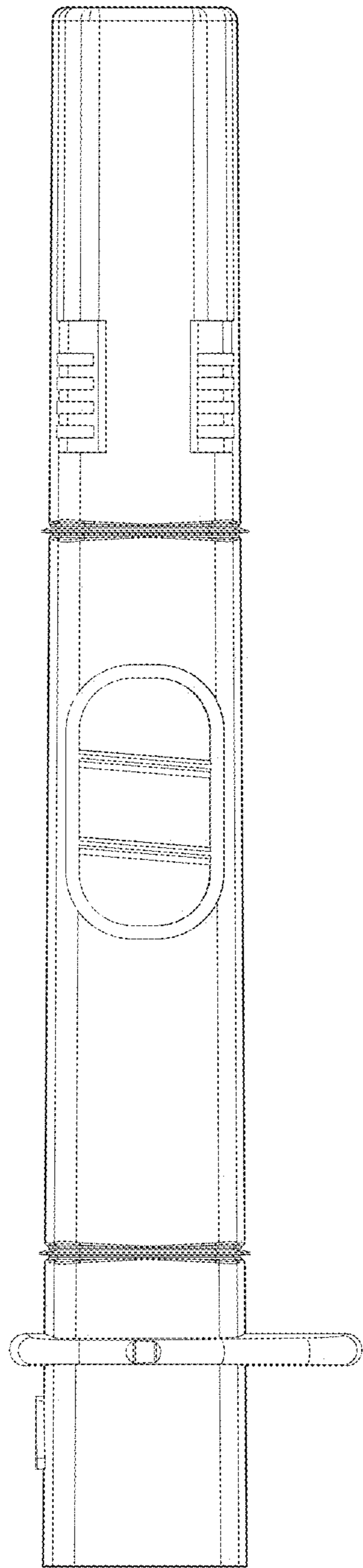


FIG. 4

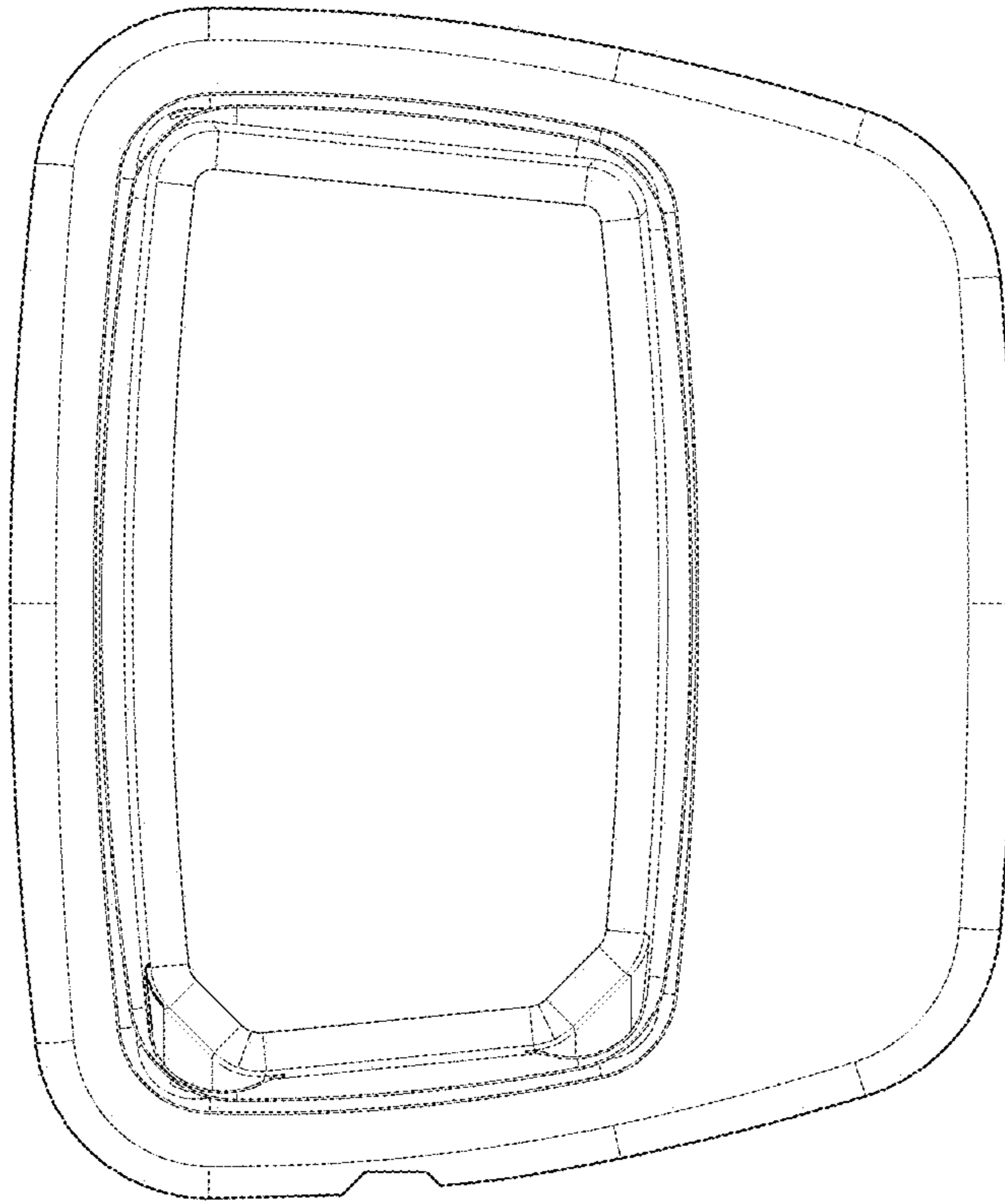


FIG. 5

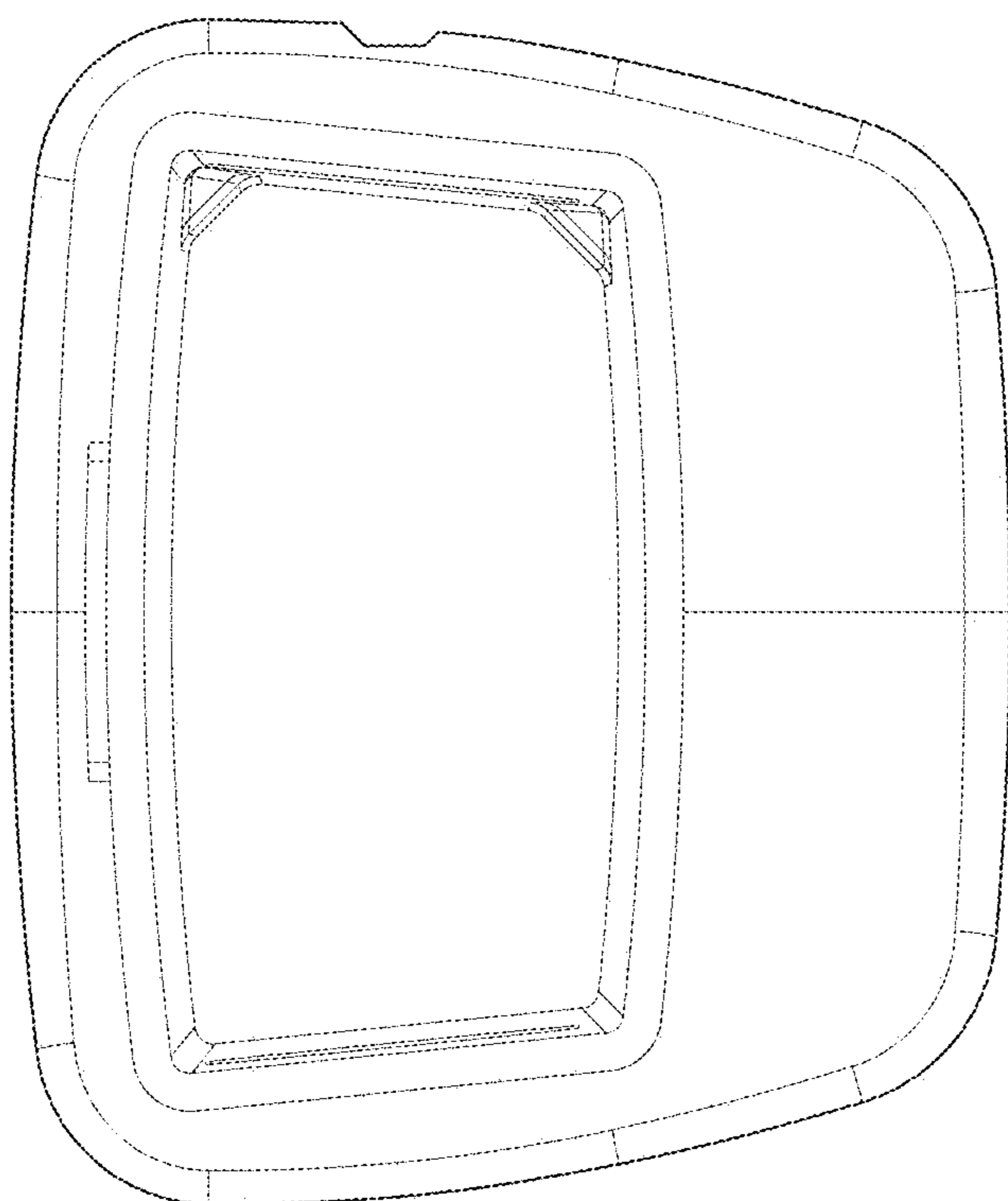


FIG. 6



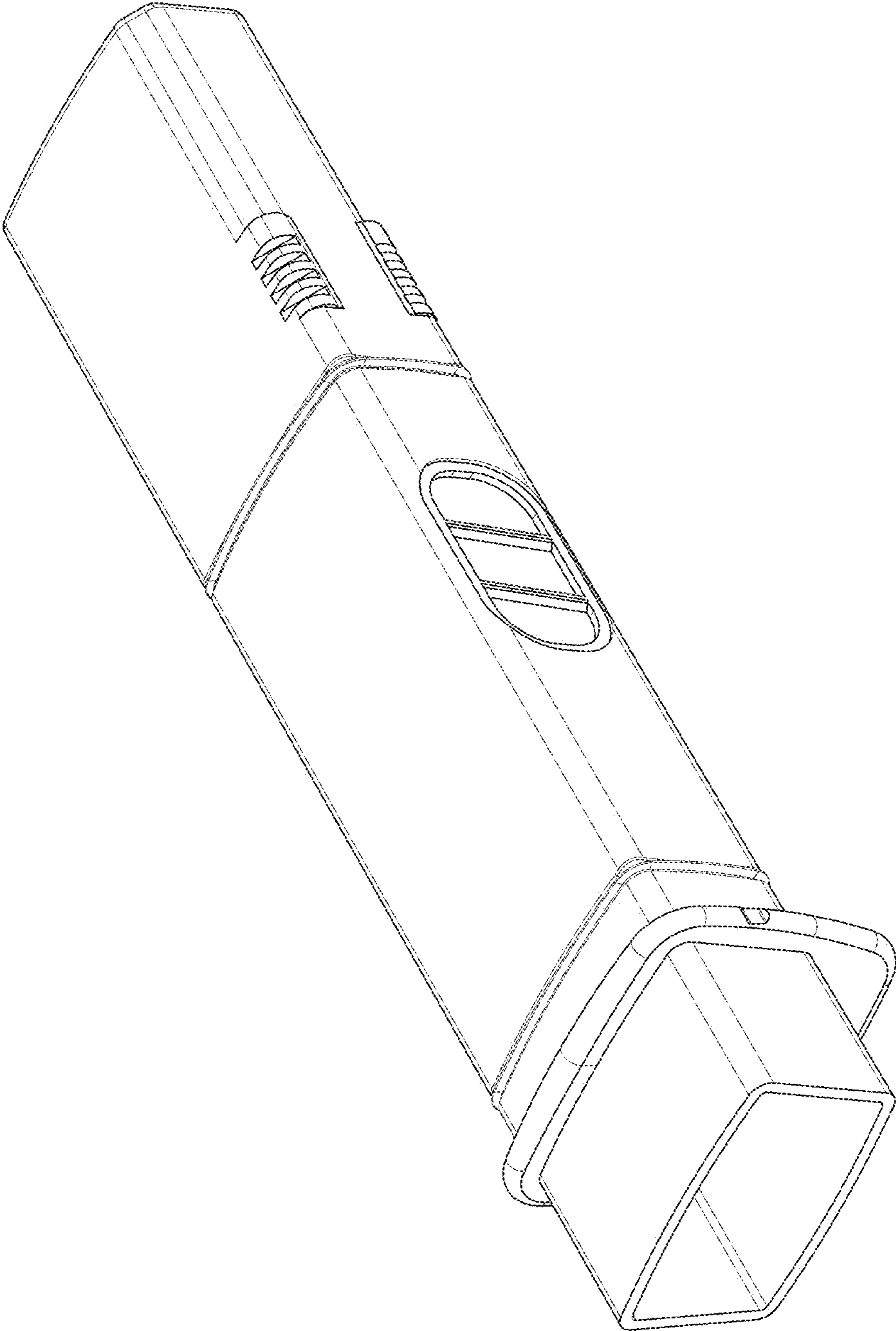


FIG. 7

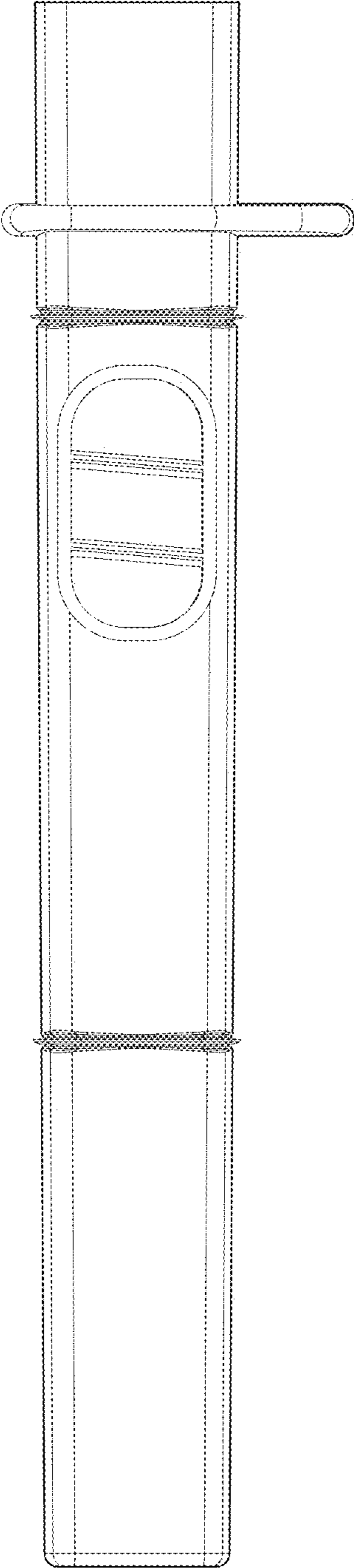


FIG. 8

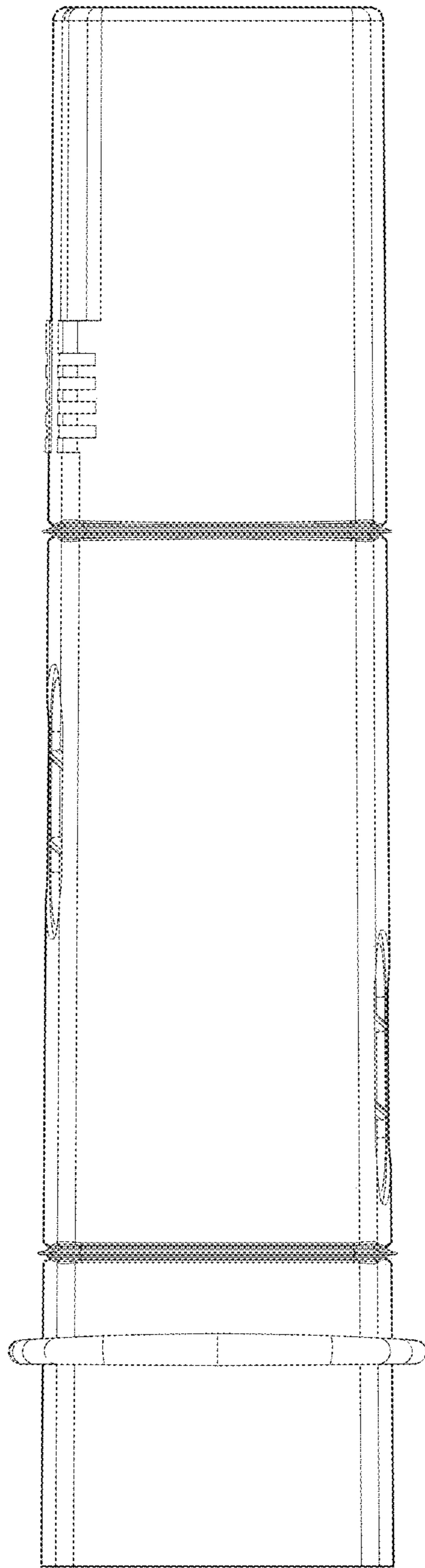


FIG. 9

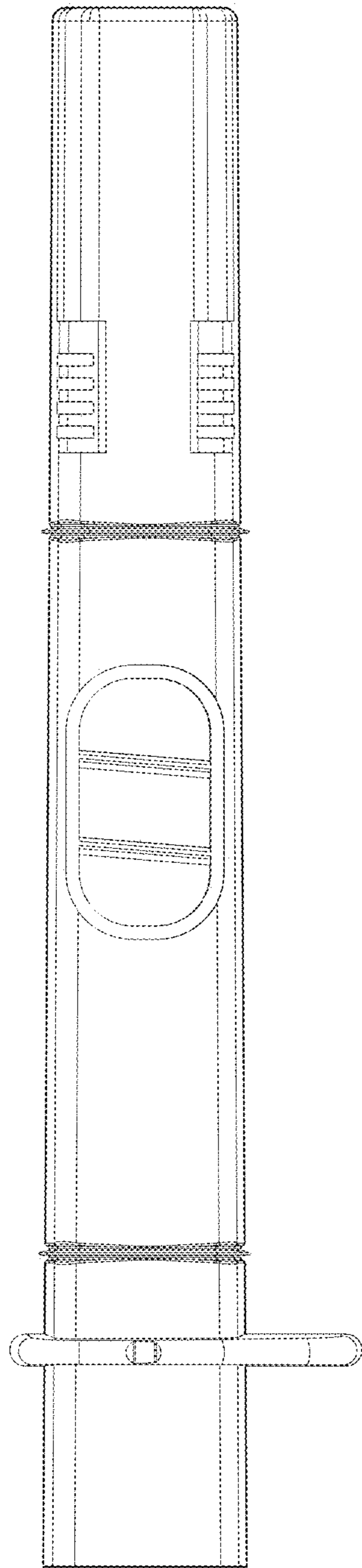


FIG. 10

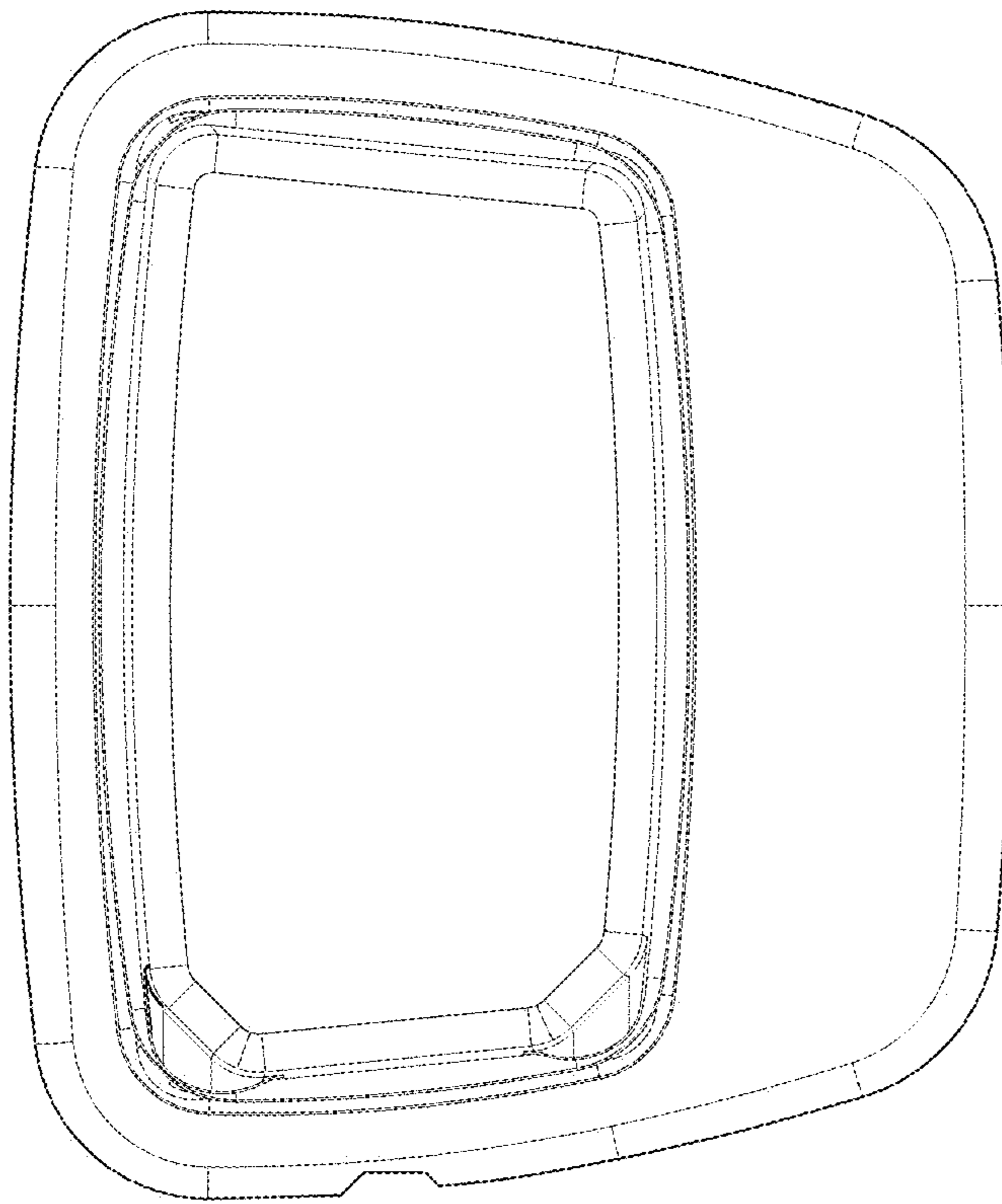


FIG. 11

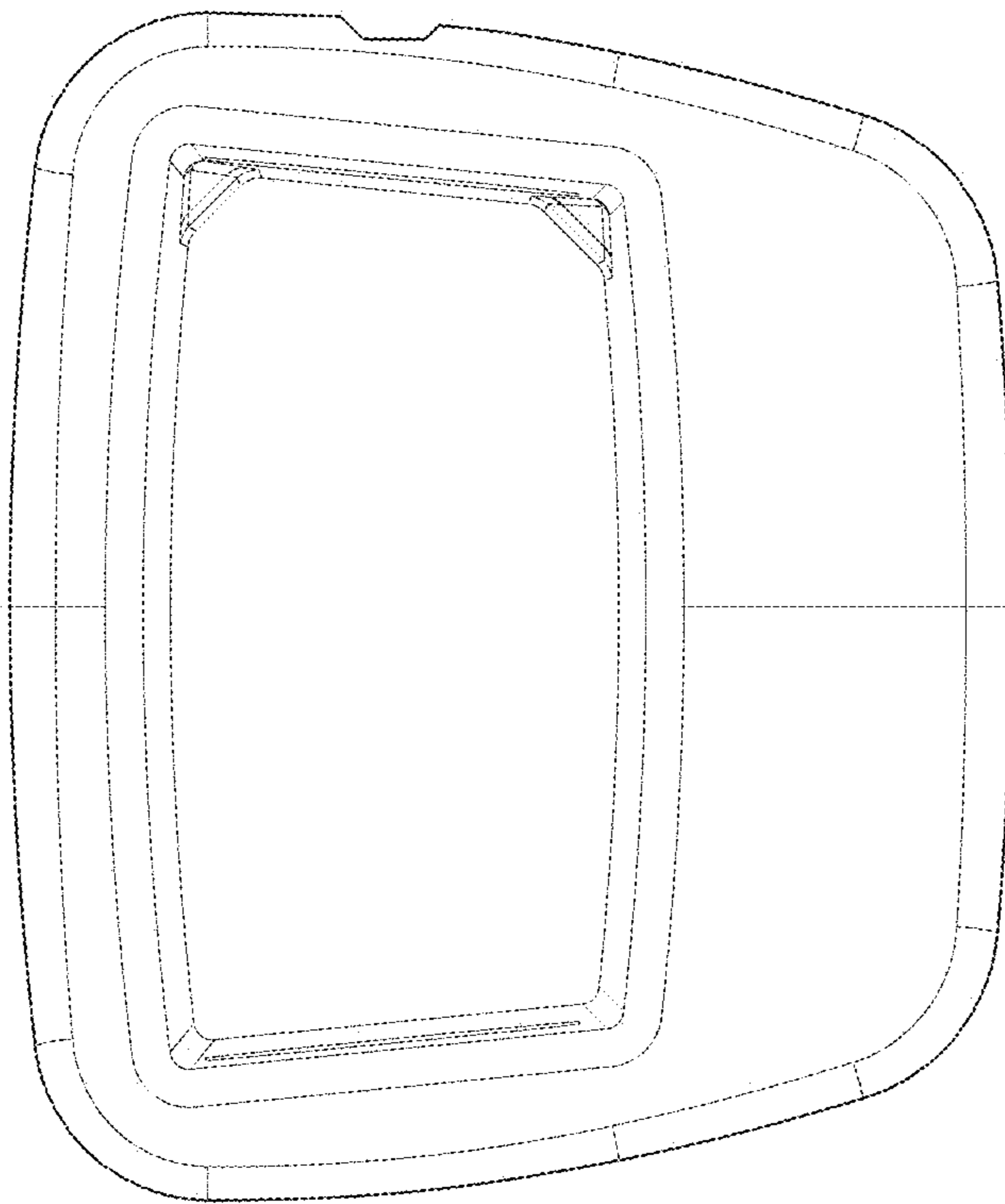


FIG. 12



UNITED STATES PATENT AND TRADEMARK OFFICE  
**CERTIFICATE OF CORRECTION**

PATENT NO. : D965,788 S  
APPLICATION NO. : 29/744536  
DATED : October 4, 2022  
INVENTOR(S) : Christian Buess

Page 1 of 1

It is certified that error appears in the above-identified patent and that said Letters Patent is hereby corrected as shown below:

On the Title Page

Correct item (30) the Foreign Priority Application No. from “EP007571351-0001 & EP007571351-0002” to “EM007571351-0001 & EM007571351-0002”

Signed and Sealed this  
Fifth Day of September, 2023  
*Katherine Kelly Vidal*

Katherine Kelly Vidal  
*Director of the United States Patent and Trademark Office*