



US00D965782S

(12) **United States Design Patent**
Yamazaki

(10) **Patent No.:** **US D965,782 S**

(45) **Date of Patent:** **** Oct. 4, 2022**

(54) **MICRO NEEDLE SHEET**

(71) Applicant: **YA-MAN LTD.**, Tokyo (JP)

(72) Inventor: **Kimiyo Yamazaki**, Tokyo (JP)

(73) Assignee: **YA-MAN LTD.**, Tokyo (JP)

(**) Term: **15 Years**

(21) Appl. No.: **29/772,275**

(22) Filed: **Mar. 1, 2021**

(30) **Foreign Application Priority Data**

Oct. 30, 2020 (JP) 2020-023544 D

(51) **LOC (13) Cl.** **24-02**

(52) **U.S. Cl.**
USPC **D24/146**

(58) **Field of Classification Search**
USPC D24/124, 125, 126, 189, 190, 191, 192,
D24/146, 147
CPC A61M 37/0015; A61M 2037/0023; A61M
2037/0046; A61M 2205/0216; A61K
2800/805; B29C 39/026
See application file for complete search history.

(56) **References Cited**

U.S. PATENT DOCUMENTS

D735,850 S * 8/2015 Gray D24/124
D812,742 S * 3/2018 Green D24/125

D939,090 S * 12/2021 Frezza D24/146
D942,008 S * 1/2022 Castillo-Garcia D24/146
D943,746 S * 2/2022 Han D8/20
2016/0206866 A1 * 7/2016 Yamamoto A61M 37/0015
2022/0168553 A1 * 6/2022 Jang A45D 34/041

* cited by examiner

Primary Examiner — Samantha Q Lawrence

(74) *Attorney, Agent, or Firm* — Bayramoglu Law Offices LLC

(57) **CLAIM**

The ornamental design for a micro needle sheet, as shown and described.

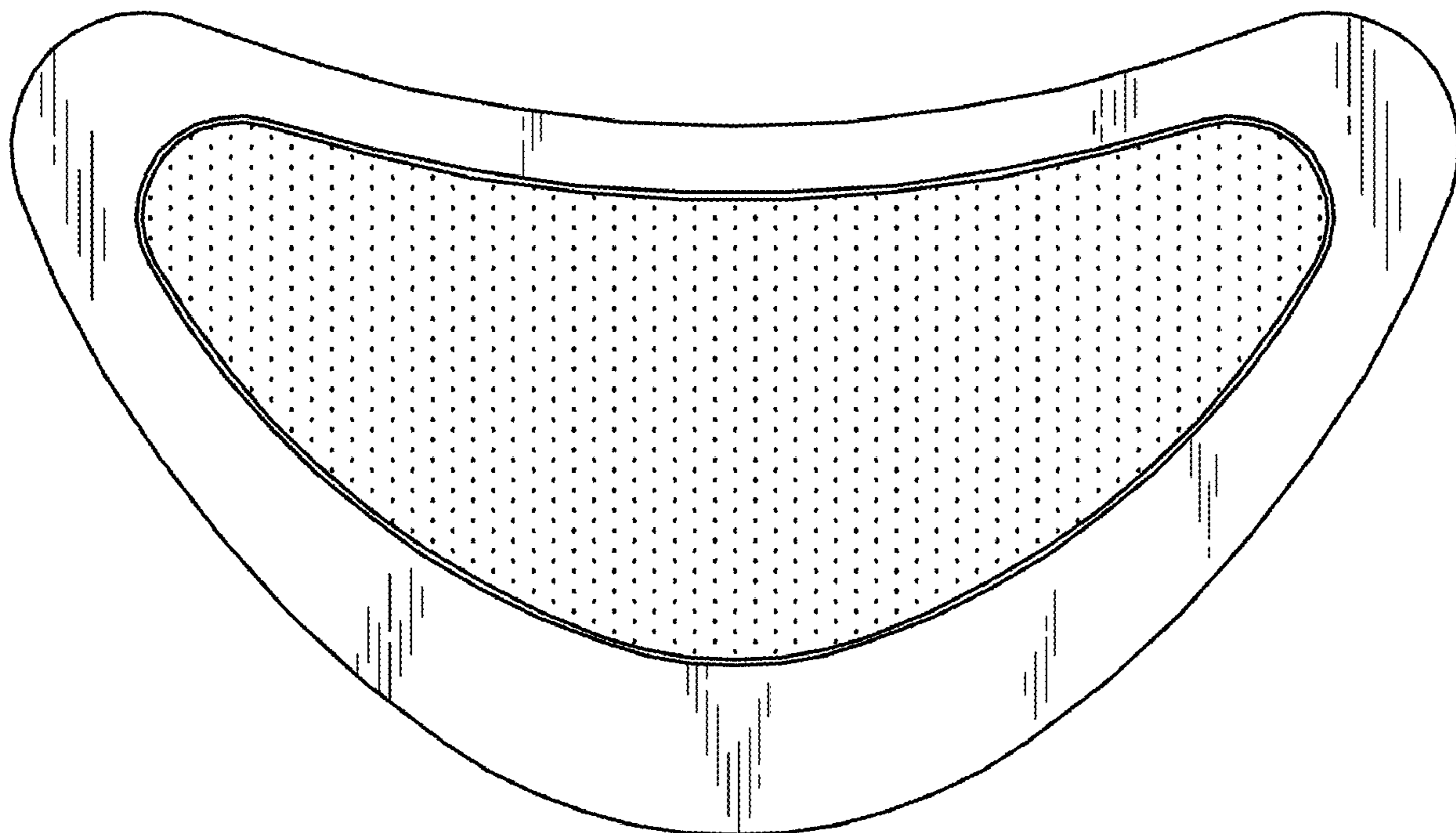
DESCRIPTION

FIG. 1 is a front view of a micro needle sheet showing my new design;
FIG. 2 is a rear view thereof;
FIG. 3 is a right side view thereof;
FIG. 4 is a left side view thereof;
FIG. 5 is a top view thereof;
FIG. 6 is a bottom view thereof; and,
FIG. 7 is a partially enlarged view indicating the circled area "7" in FIG. 6.

The broken lines indicating an enlargement portion of the design form no part of the claimed design.

The stipple on the edge of the micro needle sheet in FIG. 2 indicates an adhesive material.

1 Claim, 7 Drawing Sheets



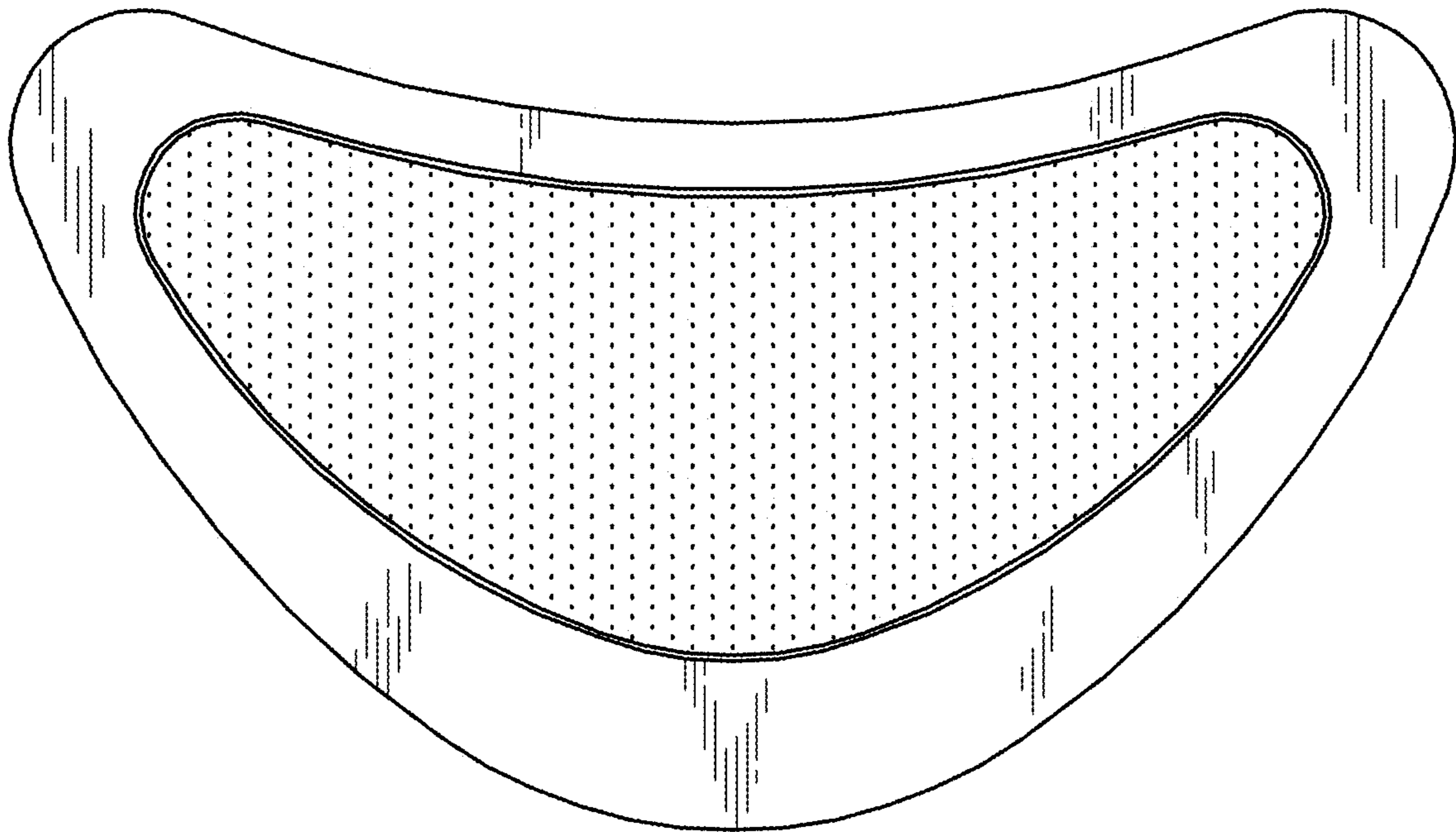


FIG. 1

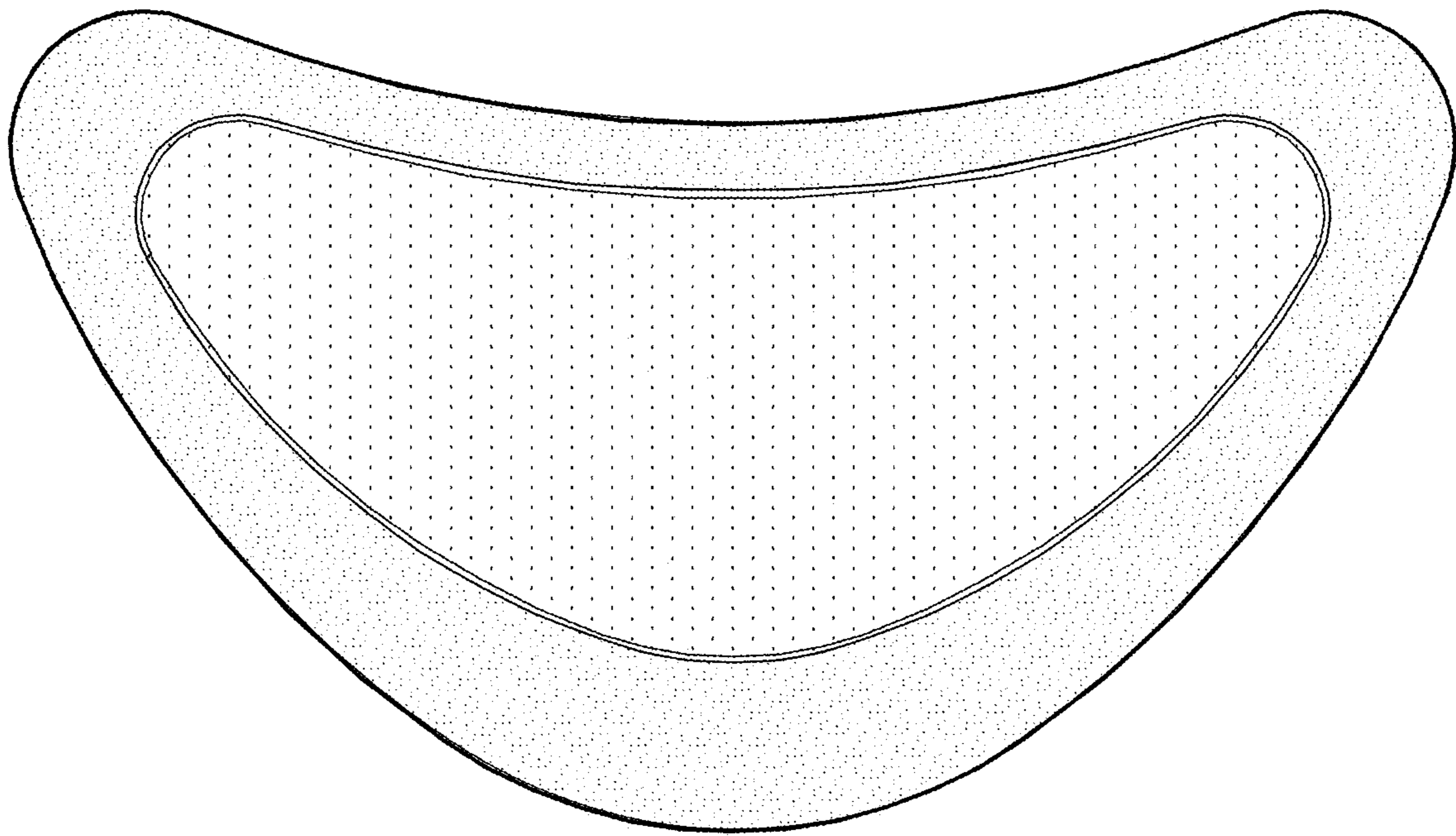


FIG. 2



FIG. 3



FIG. 4



FIG. 5

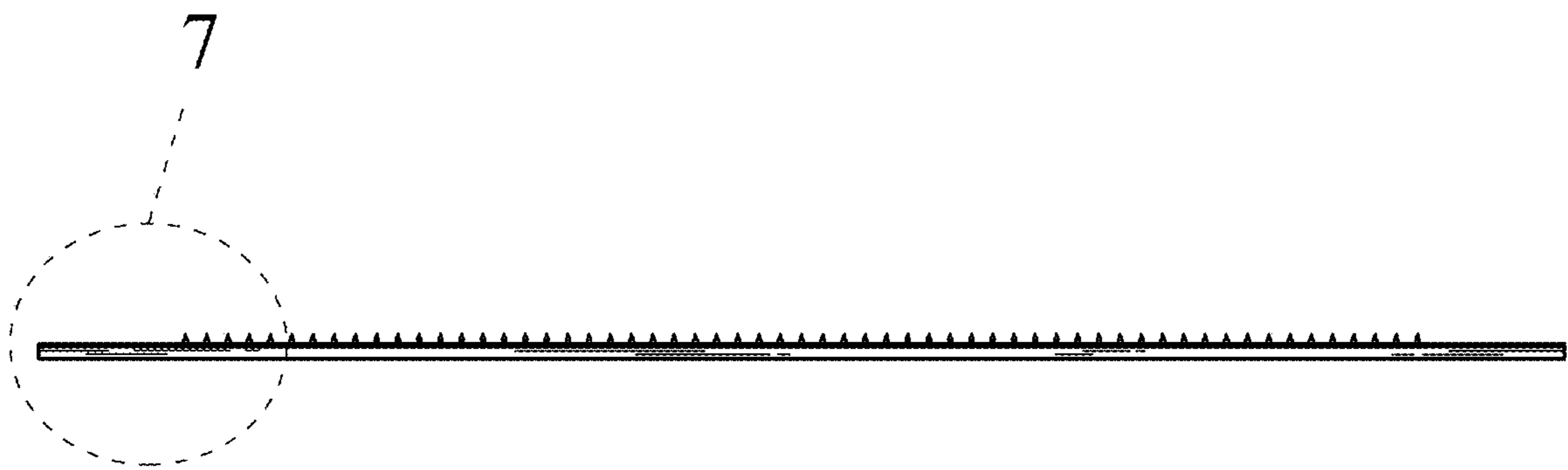


FIG. 6

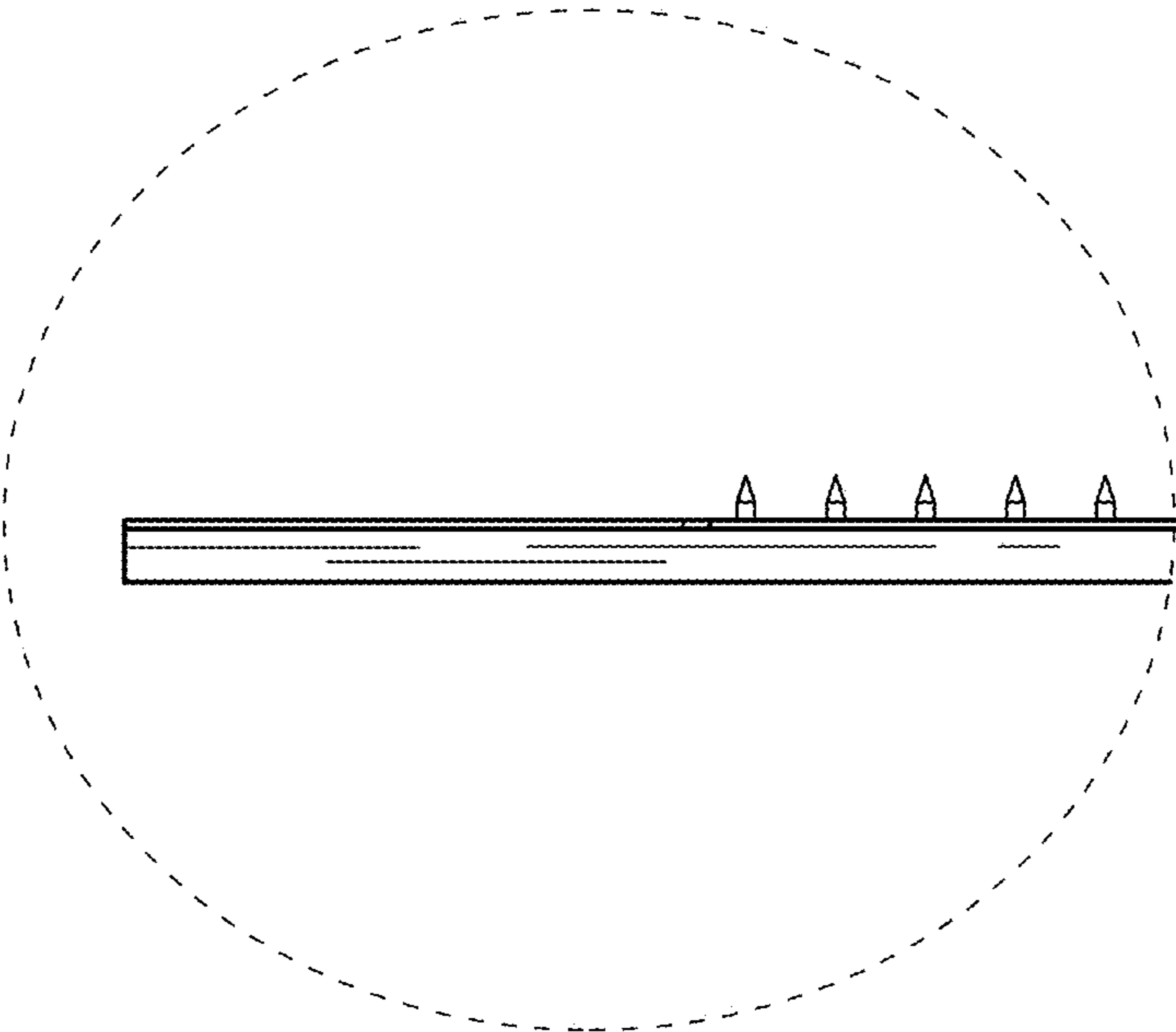


FIG. 7