



US00D965779S

(12) **United States Design Patent** (10) **Patent No.:** **US D965,779 S**  
**Behrendt et al.** (45) **Date of Patent:** **\*\* Oct. 4, 2022**

(54) **MEDICAL CONSOLE**  
 (71) Applicant: **KARL STORZ SE & Co. KG**,  
 Tuttlingen (DE)  
 (72) Inventors: **Kay Behrendt**, Tuttlingen (DE);  
**Andreas Schmal**, Tuttlingen (DE);  
**Daniel Müllenmeister**, Münster (DE);  
**Theo Wolf**, Münster (DE)  
 (73) Assignee: **KARL STORZ SE & CO. KG**,  
 Tuttlingen (DE)

D569,978 S *	5/2008	Eda .....	D24/165
D576,281 S *	9/2008	Reihanifam .....	D24/169
D591,423 S *	4/2009	Diener .....	D24/158
D598,551 S *	8/2009	Miwa .....	D24/186
D601,262 S *	9/2009	Okawa .....	D24/176
D615,199 S *	5/2010	Zimmerli .....	D24/137
D630,727 S *	1/2011	Petrovic .....	D24/111
D631,160 S *	1/2011	Schurg .....	D24/144
D635,681 S *	4/2011	Edwards .....	D24/186
D640,376 S *	6/2011	Amano .....	D24/138
D641,081 S *	7/2011	Onuma .....	D24/138
D641,082 S *	7/2011	Onuma .....	D24/138

(Continued)

(\*\*) Term: **15 Years**  
 (21) Appl. No.: **29/739,922**  
 (22) Filed: **Jun. 30, 2020**  
 (51) **LOC (13) Cl.** ..... **24-02**  
 (52) **U.S. Cl.**  
 USPC ..... **D24/138; D24/185; D24/186**  
 (58) **Field of Classification Search**  
 USPC ..... D24/119, 133, 137, 138, 151, 146, 147,  
 D24/152, 108, 111, 112, 113, 117, 118,  
 D24/127, 130, 135, 141, 143, 144, 148,  
 D24/153, 154, 170, 176, 179, 216, 222;  
 D14/203.1  
 CPC . G02B 23/2476; G02B 23/2484; G02B 23/16  
 See application file for complete search history.

**OTHER PUBLICATIONS**

Tele Pack +,[site visited Sep. 21, 2021]. Available from Internet.  
 URL: <https://www.youtube.com/watch?v=YC0Su-GoFZo> (Year:  
 2020).\*

*Primary Examiner* — T Chase Nelson  
*Assistant Examiner* — Kelly L Gross  
 (74) *Attorney, Agent, or Firm* — Eversheds Sutherland  
 (US) LLP

(57) **CLAIM**

The ornamental design for a medical console, as shown and described.

**DESCRIPTION**

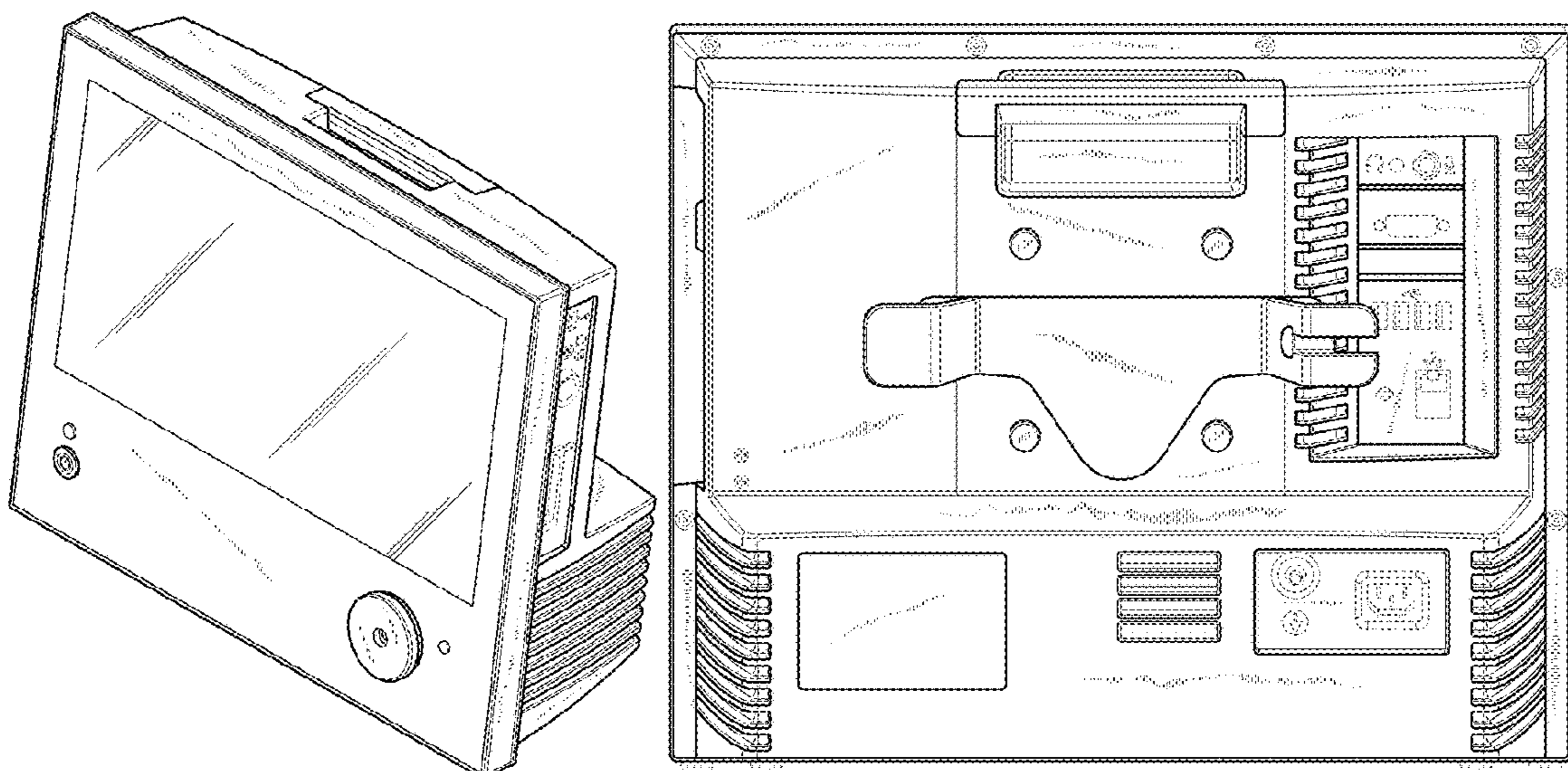
FIG. 1 is a perspective view of a medical console showing our new design;  
 FIG. 2 is a left side view thereof;  
 FIG. 3 is a right side view thereof;  
 FIG. 4 is a front view thereof;  
 FIG. 5 is a rear view thereof;  
 FIG. 6 is a top view thereof; and,  
 FIG. 7 is a bottom view thereof.  
 The broken lines in the drawing show portions of the medical console that form no part of the claimed design.

**1 Claim, 7 Drawing Sheets**

(56) **References Cited**

U.S. PATENT DOCUMENTS

D323,894 S *	2/1992	Rosati .....	D24/186
D359,353 S *	6/1995	Butter .....	D24/144
D376,207 S *	12/1996	Buczek .....	D24/138
D396,108 S *	7/1998	Garito .....	D24/144
D460,053 S *	7/2002	Choi .....	D13/168
D481,123 S *	10/2003	Hayamizu .....	D24/107
D534,654 S *	1/2007	Hayamizu .....	D24/107
D556,910 S *	12/2007	Reihanifam .....	D24/169
D564,094 S *	3/2008	Hayashi .....	D24/107
D564,661 S *	3/2008	Hayashi .....	D24/107



(56)

References Cited

U.S. PATENT DOCUMENTS

D643,117	S	*	8/2011	Onuma	.....	D24/138
D663,423	S	*	7/2012	Kagawa	.....	D24/177
D665,501	S	*	8/2012	Shibata	.....	D24/165
D668,336	S	*	10/2012	Yanagawa	.....	D24/144
D670,386	S	*	11/2012	Yanagawa	.....	D24/144
D678,530	S	*	3/2013	Khan	.....	D24/186
D682,432	S	*	5/2013	Khan	.....	D24/186
D683,034	S	*	5/2013	Shigeno	.....	D24/186
D687,146	S	*	7/2013	Juzkiw	.....	D24/170
D690,817	S	*	10/2013	Noguchi	.....	D24/165
D691,724	S	*	10/2013	Noguchi	.....	D24/165
D691,725	S	*	10/2013	Noguchi	.....	D24/165
D692,141	S	*	10/2013	Noguchi	.....	D24/165
D696,403	S	*	12/2013	Noguchi	.....	D24/165
D697,214	S	*	1/2014	Rosenfeldt	.....	D24/186
D697,623	S	*	1/2014	Shibata	.....	D24/165
D700,341	S	*	2/2014	Uozumi	.....	D24/165
D703,311	S	*	4/2014	Daly	.....	D24/110
D704,839	S	*	5/2014	Juzkiw	.....	D24/170
D705,190	S	*	5/2014	Shigeno	.....	D14/186
D706,239	S	*	6/2014	Chen	.....	D14/186
D711,003	S	*	8/2014	Chen	.....	D24/186
D711,004	S	*	8/2014	Chen	.....	D24/186
D712,031	S	*	8/2014	Feng	.....	D24/144
D724,219	S	*	3/2015	Daynes	.....	D24/167
D724,740	S	*	3/2015	Collins	.....	D24/169
D728,776	S	*	5/2015	Rogers	.....	D24/107
D728,779	S	*	5/2015	Sabin	.....	D24/111
D734,856	S	*	7/2015	Weichert	.....	D24/186
D734,858	S	*	7/2015	Weichert	.....	D24/186
D734,859	S	*	7/2015	Weichert	.....	D24/186
D735,319	S	*	7/2015	Sabin	.....	D24/111
D735,343	S	*	7/2015	Dorsey	.....	D24/186
D735,344	S	*	7/2015	Weichert	.....	D24/186
D736,370	S	*	8/2015	Sabin	.....	D24/111
D736,392	S	*	8/2015	Kwon	.....	D24/185
D736,933	S	*	8/2015	Qiu	.....	D24/170
D737,449	S	*	8/2015	Zheng	.....	D24/170
D739,031	S	*	9/2015	Golden	.....	D24/186
D743,561	S	*	11/2015	Maisch	.....	D24/186
D745,487	S	*	12/2015	Moriya	.....	D14/258
D751,717	S	*	3/2016	Kagawa	.....	D24/177
D755,394	S	*	5/2016	Collins	.....	D24/169
D757,272	S	*	5/2016	Distler	.....	D24/169
D758,984	S	*	6/2016	Maxwell	.....	D14/130
D759,250	S	*	6/2016	Engler	.....	D24/170
D759,820	S	*	6/2016	Blomquist	.....	D24/164
D762,304	S	*	7/2016	Collins	.....	D24/169
D762,863	S	*	8/2016	Kim	.....	D24/186
D765,832	S	*	9/2016	Hochman	.....	D24/111
D767,756	S	*	9/2016	Sabin	.....	D24/111
D768,290	S	*	10/2016	Hyde	.....	D24/111
D768,847	S	*	10/2016	Hyde	.....	D24/111
D770,051	S	*	10/2016	Eggli	.....	D24/186
D776,819	S	*	1/2017	Vybornov	.....	D24/160
D780,917	S	*	3/2017	Meguro	.....	D24/138
D783,165	S	*	4/2017	Ohno	.....	D24/138
D787,504	S	*	5/2017	Hillman	.....	D14/341
D792,970	S	*	7/2017	Shimobayashi	.....	D24/138
D793,554	S	*	8/2017	Shimobayashi	.....	D24/138
D794,786	S	*	8/2017	Hayamizu	.....	D24/138
D795,254	S	*	8/2017	Ishida	.....	D14/358
D796,038	S	*	8/2017	Ohno	.....	D24/138
D797,918	S	*	9/2017	Genstler	.....	D24/107
D797,932	S	*	9/2017	Lee	.....	D24/144
RE46,577	E	*	10/2017	Collins	.....	D24/169
D799,035	S	*	10/2017	Shimobayashi	.....	D24/138
D802,134	S	*	11/2017	Geißler	.....	D24/144
D804,017	S	*	11/2017	Sabin	.....	D24/111
D805,639	S	*	12/2017	Lee	.....	D24/144
D812,005	S	*	3/2018	Lee	.....	D13/110
D812,218	S	*	3/2018	Lacy	.....	D24/111
D813,297	S	*	3/2018	Nishikawa	.....	D18/50
D814,021	S	*	3/2018	Sabin	.....	D24/111
D815,040	S	*	4/2018	Lee	.....	D13/110
D817,313	S	*	5/2018	Horito	.....	D14/240
D817,479	S	*	5/2018	Sabin	.....	D24/111
D817,480	S	*	5/2018	Sabin	.....	D24/111
D819,225	S	*	5/2018	Mead	.....	D24/233
D828,568	S	*	9/2018	Kohler	.....	D24/186
D831,206	S	*	10/2018	Tanaka	.....	D24/138
D832,435	S	*	10/2018	Tanaka	.....	D24/138
D840,536	S	*	2/2019	Clifford	.....	D24/138
D841,507	S	*	2/2019	Counts	.....	D10/106.95
D846,745	S	*	4/2019	Clifford	.....	D24/185
D850,430	S	*	6/2019	Wu	.....	D14/240
D851,255	S	*	6/2019	Fluxman	.....	D24/169
D854,166	S	*	7/2019	Wang	.....	D24/186
D864,137	S	*	10/2019	Chang	.....	D14/129
D868,236	S	*	11/2019	Frampton	.....	D24/107
D868,957	S	*	12/2019	Chase	.....	D24/107
D871,589	S	*	12/2019	Oshima	.....	D24/186
D873,794	S	*	1/2020	Lee	.....	D14/214
D878,578	S	*	3/2020	Onuma	.....	D24/138
D883,469	S	*	5/2020	Inkrote	.....	D24/108
D884,156	S	*	5/2020	Haug	.....	D24/111
D884,190	S	*	5/2020	Canady	.....	D24/170
D887,006	S	*	6/2020	Frenkler	.....	D24/176
D900,322	S	*	10/2020	Wang	.....	D24/170
D902,412	S	*	11/2020	Angeles	.....	D24/185
D903,132	S	*	11/2020	Shavit	.....	D24/200
D903,133	S	*	11/2020	Shavit	.....	D24/200
D904,622	S	*	12/2020	Kuester	.....	D24/186
D905,249	S	*	12/2020	He	.....	D24/185
D905,654	S	*	12/2020	Tani	.....	D14/141.3
D907,630	S	*	1/2021	Townsend, III	.....	D14/341
D908,887	S	*	1/2021	Takahashi	.....	D24/177
D908,888	S	*	1/2021	Takahashi	.....	D24/177
D909,589	S	*	2/2021	Kohno	.....	D24/186
D914,905	S	*	3/2021	Wade	.....	D24/216
D916,287	S	*	4/2021	Marshall	.....	D24/146
D916,954	S	*	4/2021	De Beule	.....	D18/4.4
D921,899	S	*	6/2021	Suarez	.....	D24/158
D926,314	S	*	7/2021	Hayamizu	.....	D24/138
D926,995	S	*	8/2021	He	.....	D24/185
D945,615	S	*	3/2022	Shin	.....	D24/144
D945,626	S	*	3/2022	Waugh	.....	D24/185
D946,763	S	*	3/2022	Ubbesen	.....	D24/186
D948,042	S	*	4/2022	Bridgers	.....	D24/170

\* cited by examiner

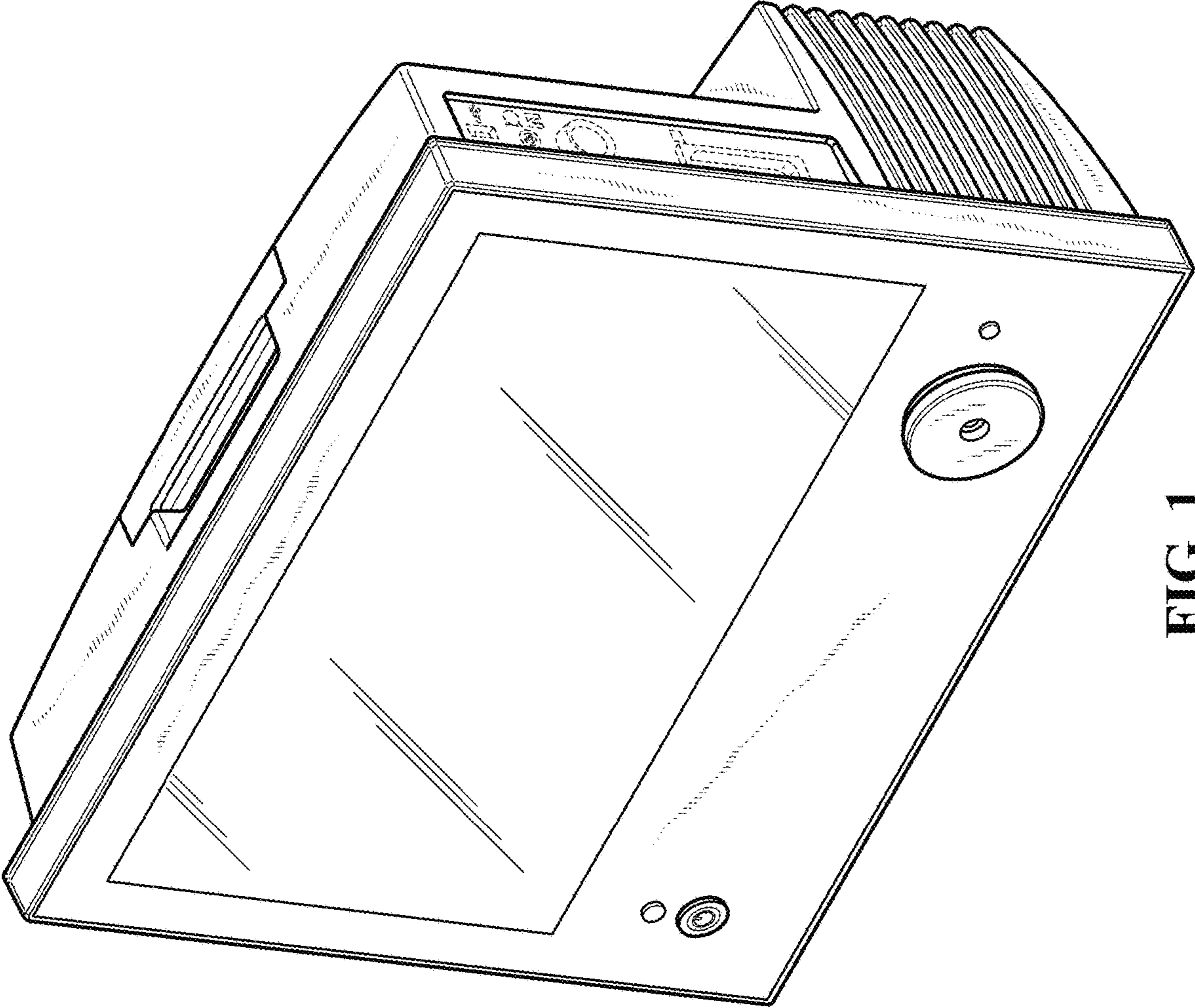


FIG. 1

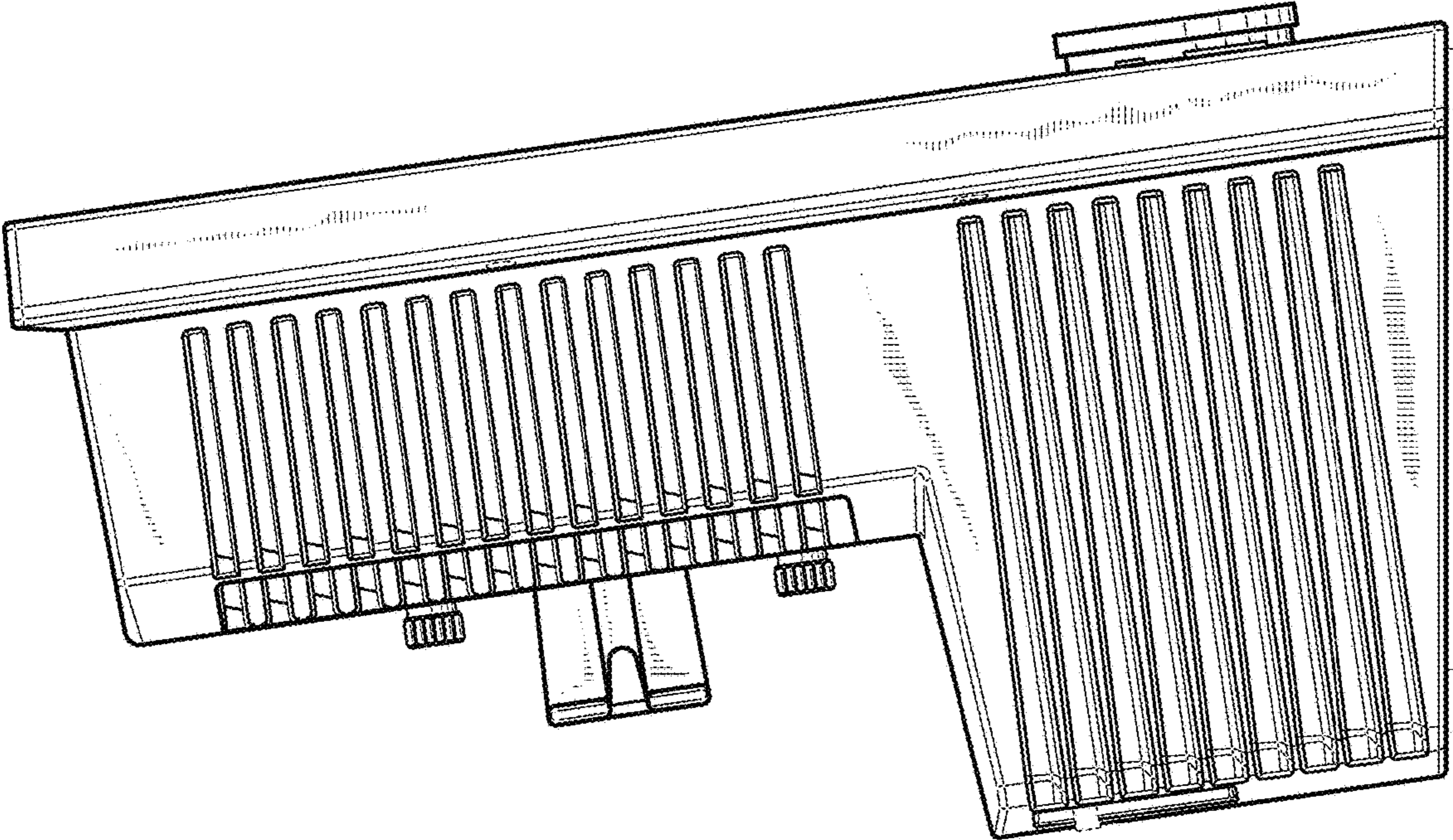


FIG. 2

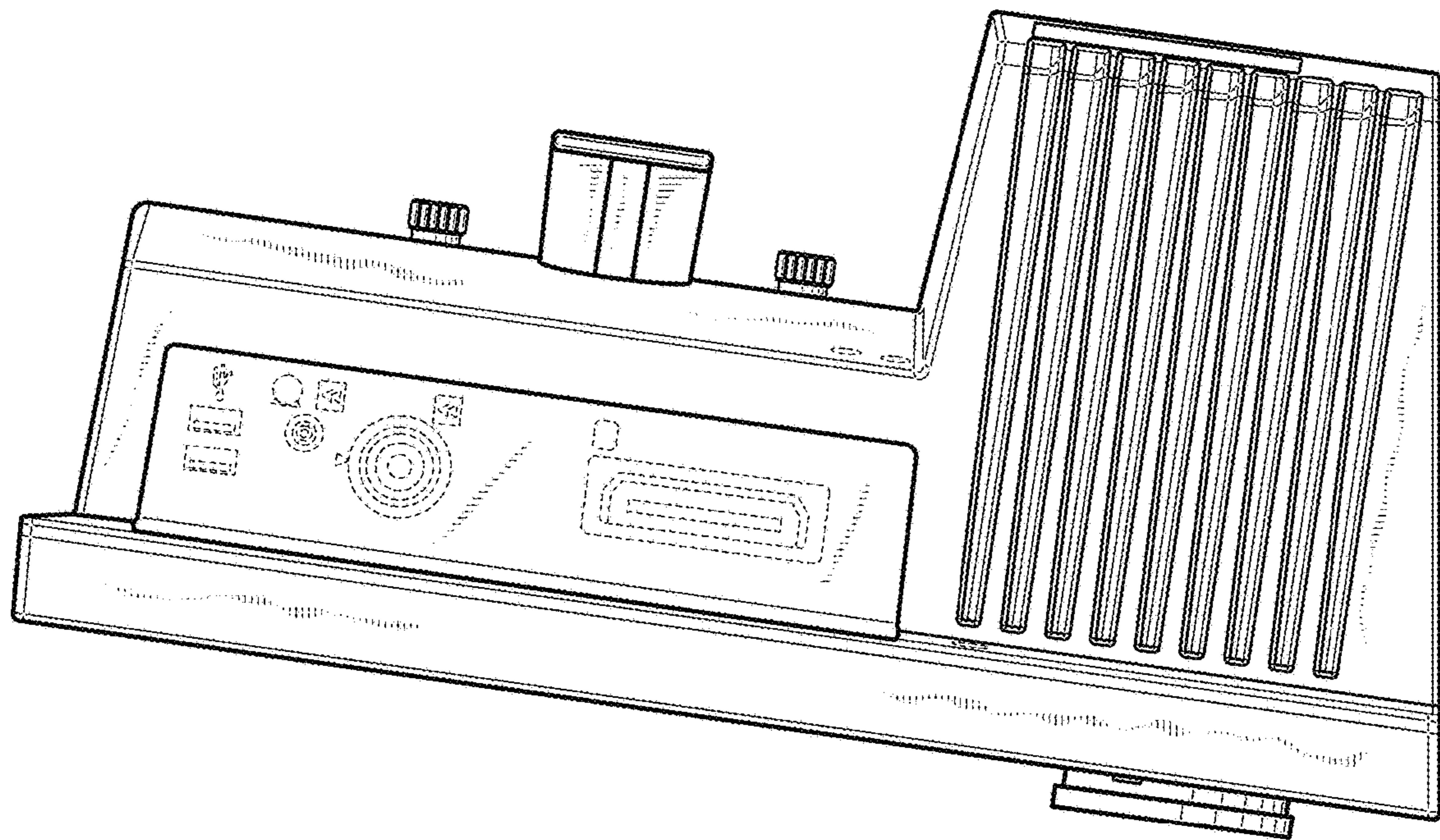


FIG. 3

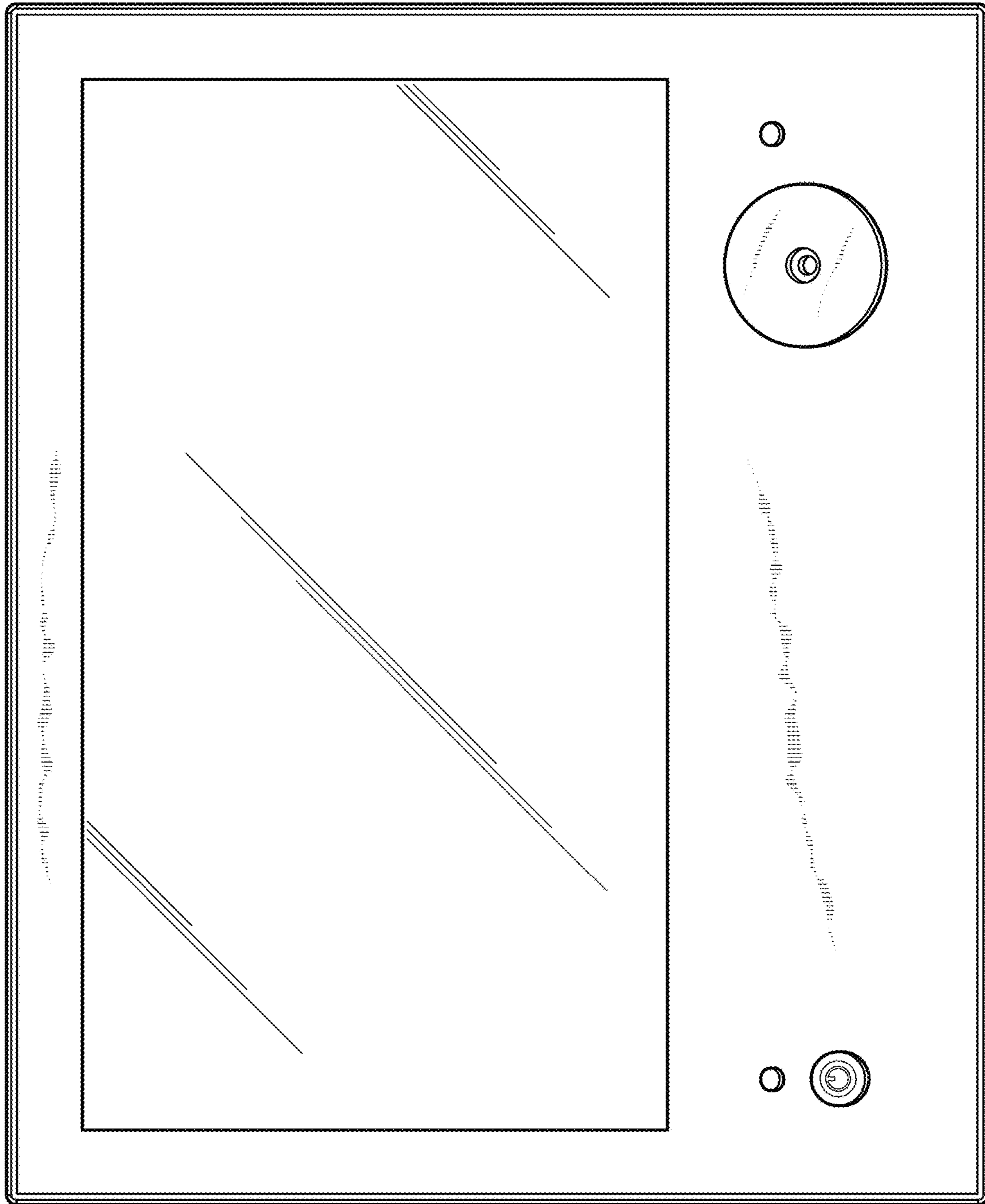


FIG. 4

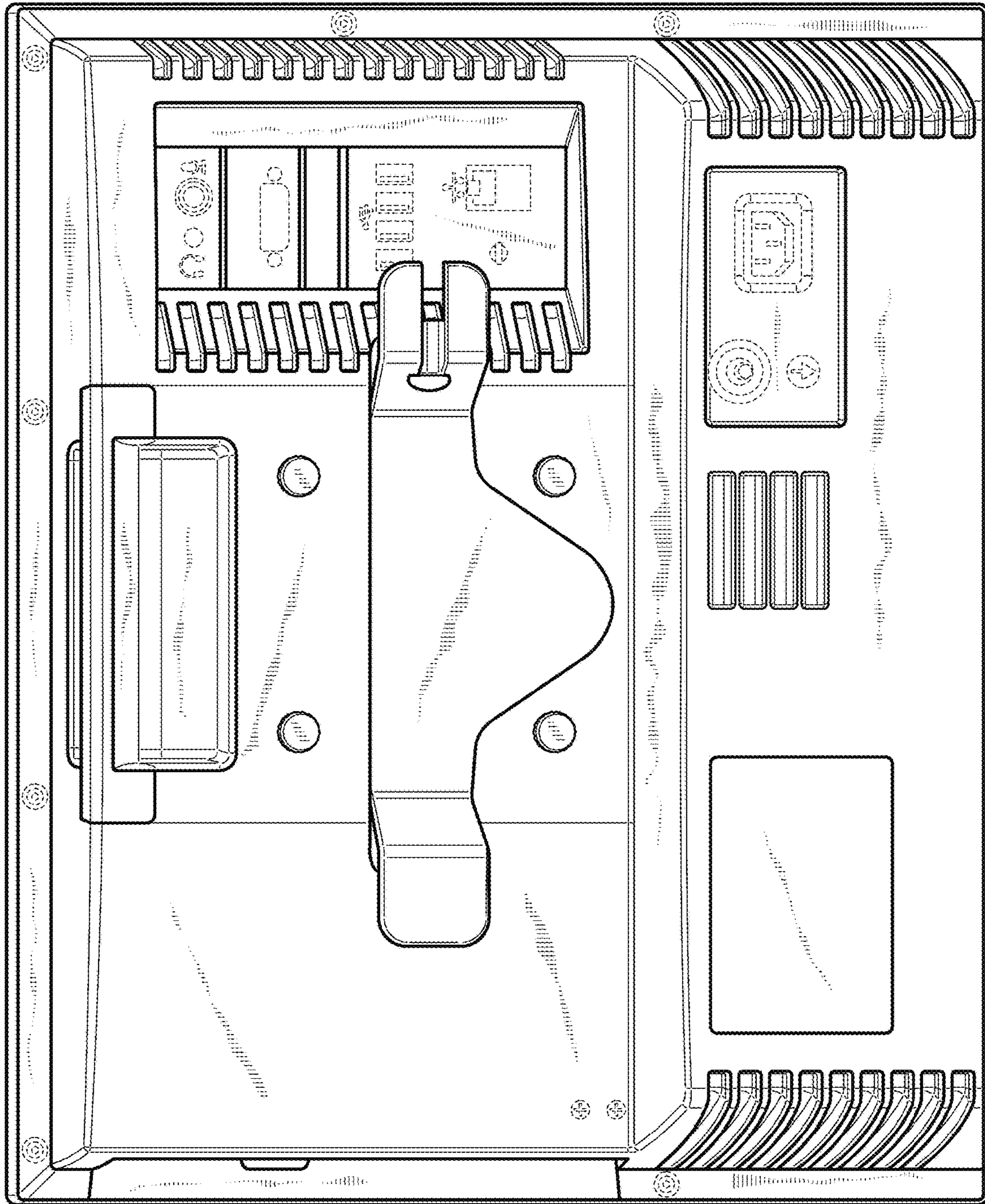


FIG. 5

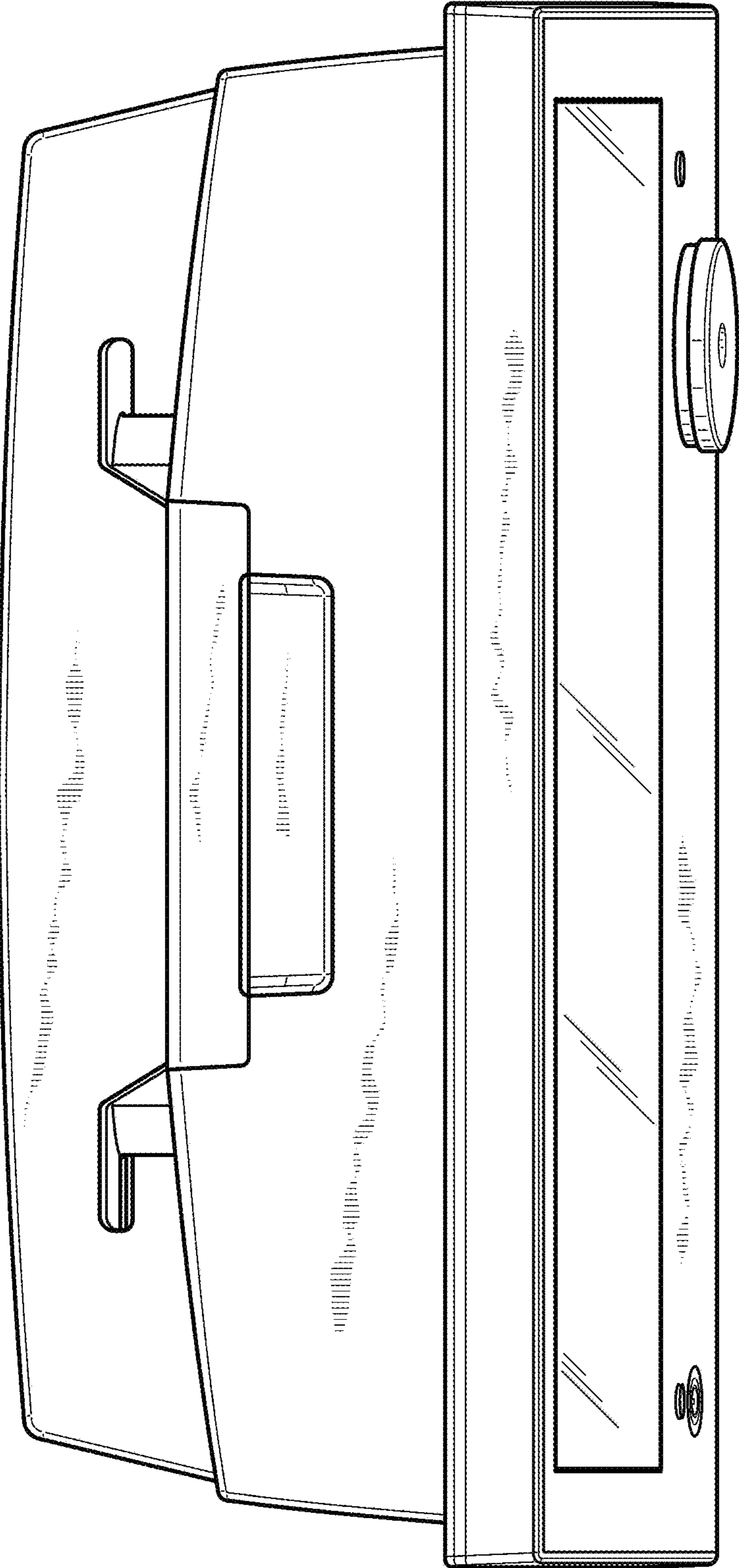


FIG. 6





FIG. 7