



US00D965777S

(12) **United States Design Patent**
Marici et al.

(10) **Patent No.:** **US D965,777 S**
(45) **Date of Patent:** **** Oct. 4, 2022**

(54) **TIP CAP AND DISINFECTING UNIT**

(71) Applicant: **Becton, Dickinson and Company**,
Franklin Lakes, NJ (US)

(72) Inventors: **Paul P. Marici**, Piscataway, NJ (US);
Richard Timmers, Westwood, NJ
(US); **Ulas Kemal Ayaz**, Glen Ridge,
NJ (US); **Paul Tarsia**, Ringwood, NJ
(US)

(73) Assignee: **Becton, Dickinson and Company**,
Franklin Lakes, NJ (US)

(**) Term: **15 Years**

(21) Appl. No.: **29/750,257**

(22) Filed: **Sep. 11, 2020**

(51) **LOC (13) Cl.** **24-02**

(52) **U.S. Cl.**
USPC **D24/130**

(58) **Field of Classification Search**
USPC D24/144, 146, 133, 127-131, 112-115,
D24/231

(Continued)

(56) **References Cited**

U.S. PATENT DOCUMENTS

7,418,880 B1 * 9/2008 Smith G01N 1/14
D24/114
D581,049 S * 11/2008 Sudo D24/130

(Continued)

FOREIGN PATENT DOCUMENTS

GB 6122281 * 3/2021
JP D1693119 * 8/2021
KR 300830169.0000 * 12/2015

OTHER PUBLICATIONS

Syringe Tip Cap TrueCare Red, Sterile, Male/Female Luer, McKesson, [Post date: unknown], [Site seen May 19, 2022], Seen at URL:

<https://mms.mckesson.com/product/1136391/TrueCare-Biomedix-TCBCOMBICAP> (Year: 2022).*

(Continued)

Primary Examiner — Natasha Vujcic

Assistant Examiner — Gilbert B Ford

(74) *Attorney, Agent, or Firm* — Servilla Whitney LLC

(57) **CLAIM**

We claim, the ornamental design for a tip cap and disinfecting unit, as shown and described.

DESCRIPTION

FIG. 1 is a front isometric view of a tip cap and disinfecting unit;

FIG. 2 is a top view of the tip cap and disinfecting unit of FIG. 1;

FIG. 3 is a bottom view of the tip cap and disinfecting unit of FIG. 1;

FIG. 4 is a left side view of the tip cap and disinfecting unit of FIG. 1;

FIG. 5 is right side view of the tip cap and disinfecting unit of FIG. 1;

FIG. 6 is a rear view of the tip cap and disinfecting unit of FIG. 1;

FIG. 7 is a front view of the tip cap and disinfecting unit of FIG. 1;

FIG. 8 is a front isometric view of the tip cap and disinfecting unit of FIG. 1 attached to a syringe, said syringe shown as an environmental structure;

FIG. 9 is a top view of the tip cap and disinfecting unit of FIG. 1 attached to a syringe, said syringe shown as an environmental structure;

FIG. 10 is a bottom view of the tip cap and disinfecting unit of FIG. 1 attached to a syringe, said syringe shown as an environmental structure;

FIG. 11 is a left side view of the tip cap and disinfecting unit of FIG. 1 attached to a syringe, said syringe shown as an environmental structure;

FIG. 12 is right side view of the tip cap and disinfecting unit of FIG. 1 attached to a syringe, said syringe shown as an environmental structure;

(Continued)

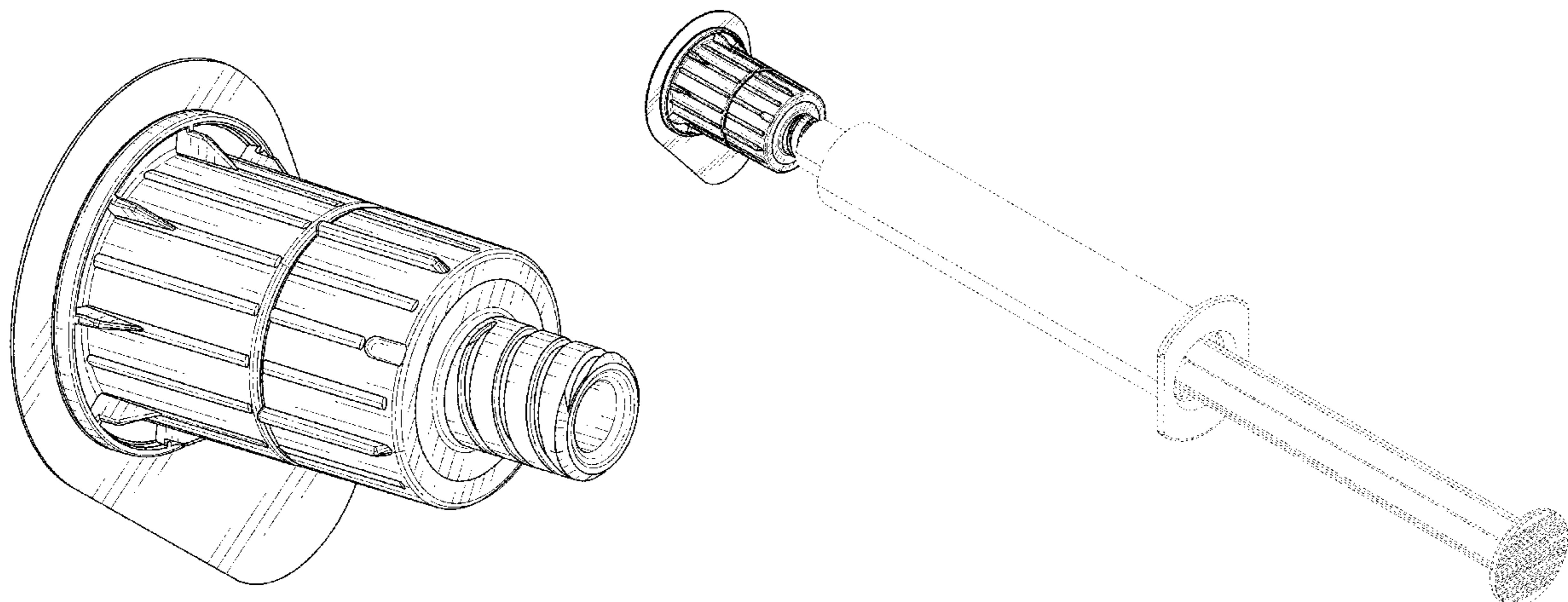


FIG. 13 is a rear view of the tip cap and disinfecting unit of FIG. 1 attached to a syringe, said syringe shown as an environmental structure; and,

FIG. 14 is a front view of the tip cap and disinfecting unit of FIG. 1 attached to a syringe, said syringe shown as an environmental structure.

The broken lines in the drawings illustrate portions of the tip cap and disinfecting unit and form no part of the claimed design.

1 Claim, 14 Drawing Sheets

(58) **Field of Classification Search**

CPC .. A61M 39/165; A61M 39/20; A61M 39/162;
A61M 2205/02

See application file for complete search history.

(56) **References Cited**

U.S. PATENT DOCUMENTS

D589,612 S *	3/2009	Sudo	D24/130
9,414,990 B2 *	8/2016	Ivosevic	A61J 1/2082
D787,053 S *	5/2017	Huang	D24/130
D787,669 S *	5/2017	Huang	D24/130
D804,023 S *	11/2017	Huang	D24/130

D908,479 S *	1/2021	Dyroff	D9/416
D911,518 S *	2/2021	Shi	D24/130
10,933,202 B1 *	3/2021	Banik	A61J 1/2096
11,083,883 B2 *	8/2021	Ryan	A61M 39/162
11,123,536 B2 *	9/2021	Follman	A61M 39/20
11,135,359 B2 *	10/2021	Chaves, Sr.	A61M 25/0631
11,253,687 B2 *	2/2022	Gilman	A61M 5/3202
2014/0366914 A1 *	12/2014	Kerr	A61B 1/122 15/104.93
2015/0246352 A1 *	9/2015	Bullington	A61B 5/154 422/546
2021/0138224 A1 *	5/2021	Marici	A61M 39/20

OTHER PUBLICATIONS

SwabCap®—Cap the connector, be a patient protector, BBraunmau, Youtube, [Post date: Dec. 9, 2014], [Site seen May 19, 2022], Seen at URL: https://www.youtube.com/watch?v=dy_XeGAec5o&t=31s (Year: 2014).*

DualCap® Disinfection & Protection System, MeritMedical, [Post date: Apr. 17, 2020], [Site seen May 19, 2022], Seen at URL: <https://www.merit.com/cardiac-intervention/interventional-fluid-management/infection-prevention/dualcap/> (Year: 2020).*

Curos Disinfecting Port Protectors, Catalog, 3M, [Post date 2018], [Site seen May 19, 2022], Seen at URL: <https://www.medline.com/media/catalog/Docs/MKT/CUROS.PDF> (Year: 2018).*

* cited by examiner

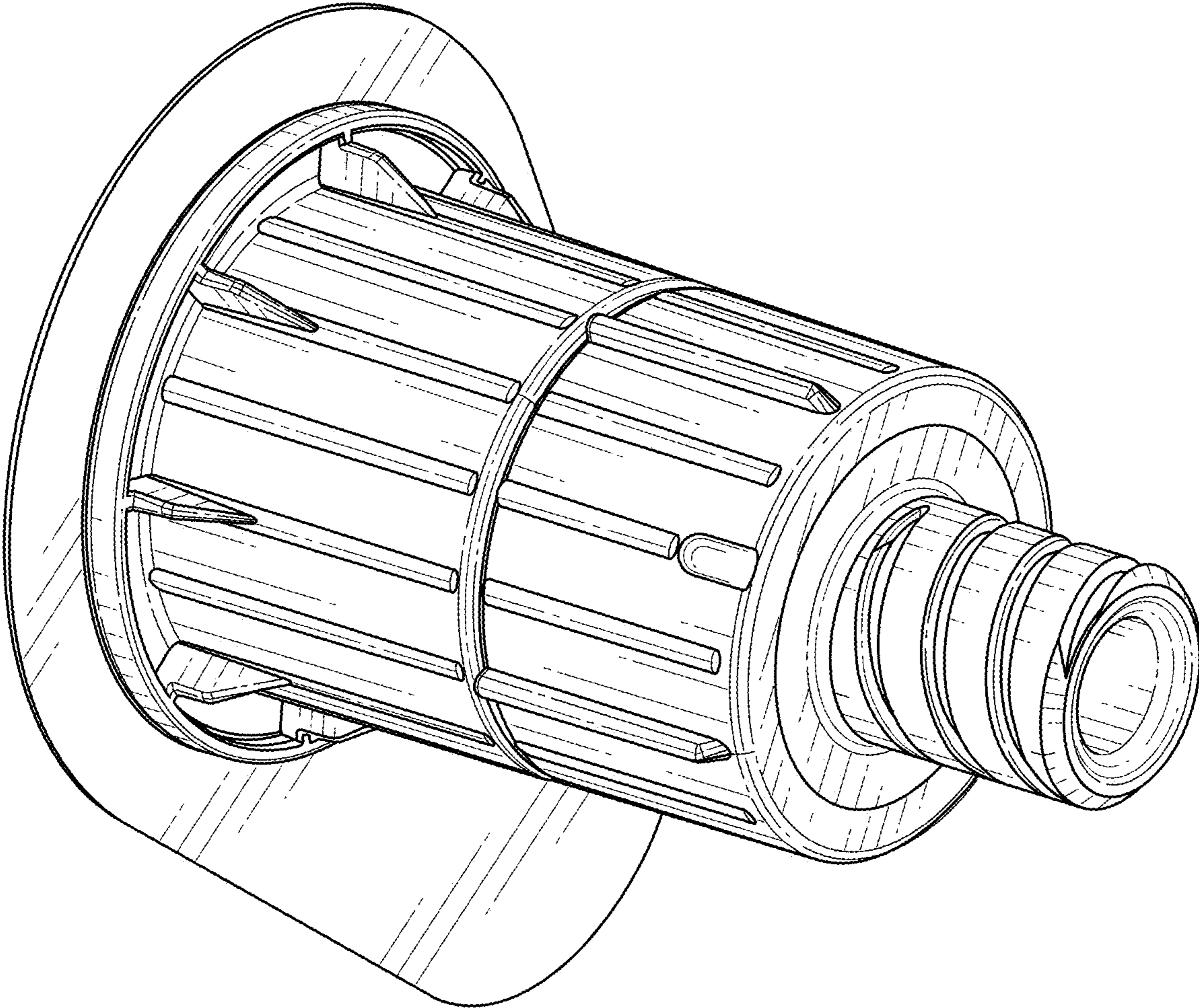


FIG. 1

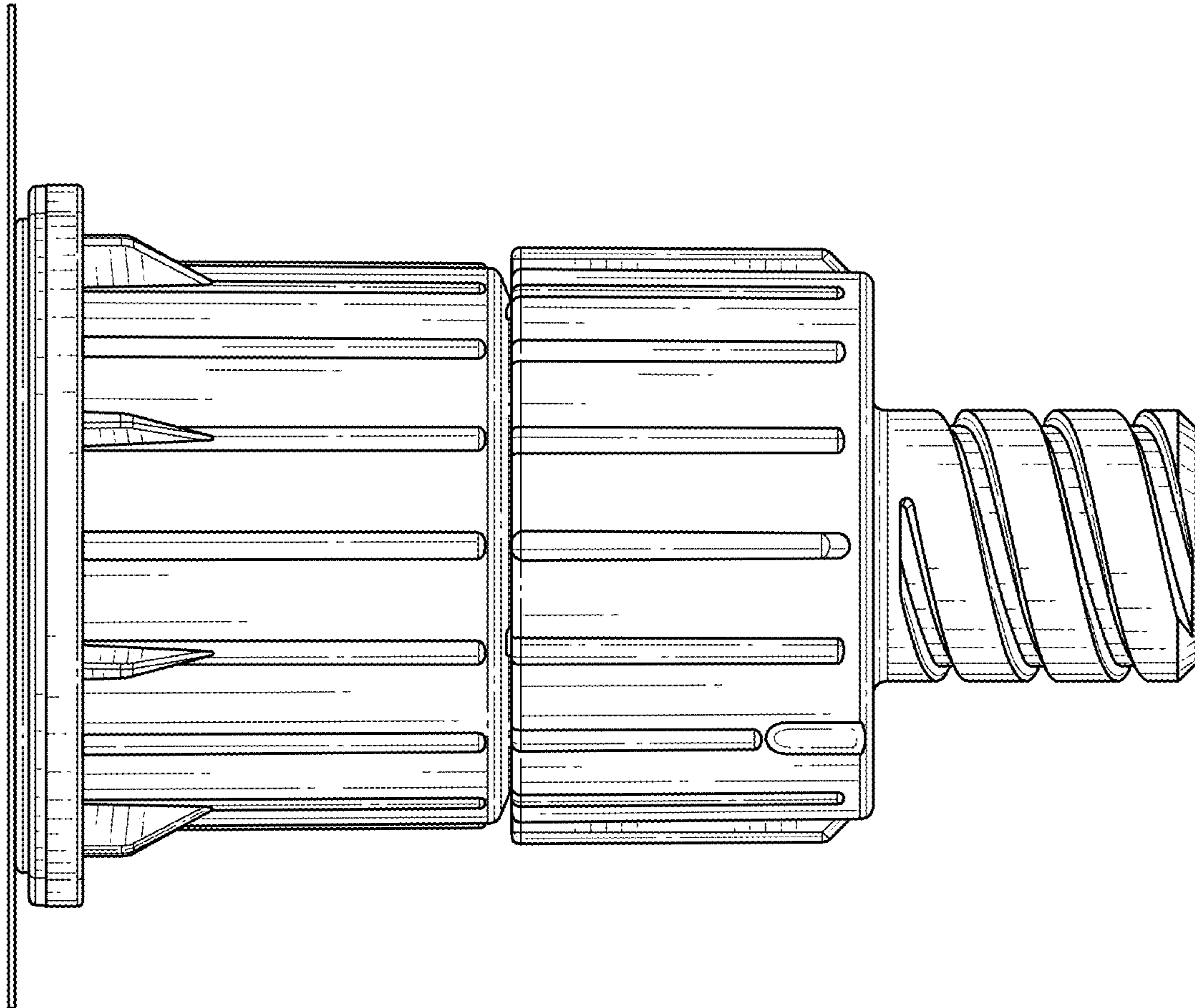


FIG. 2

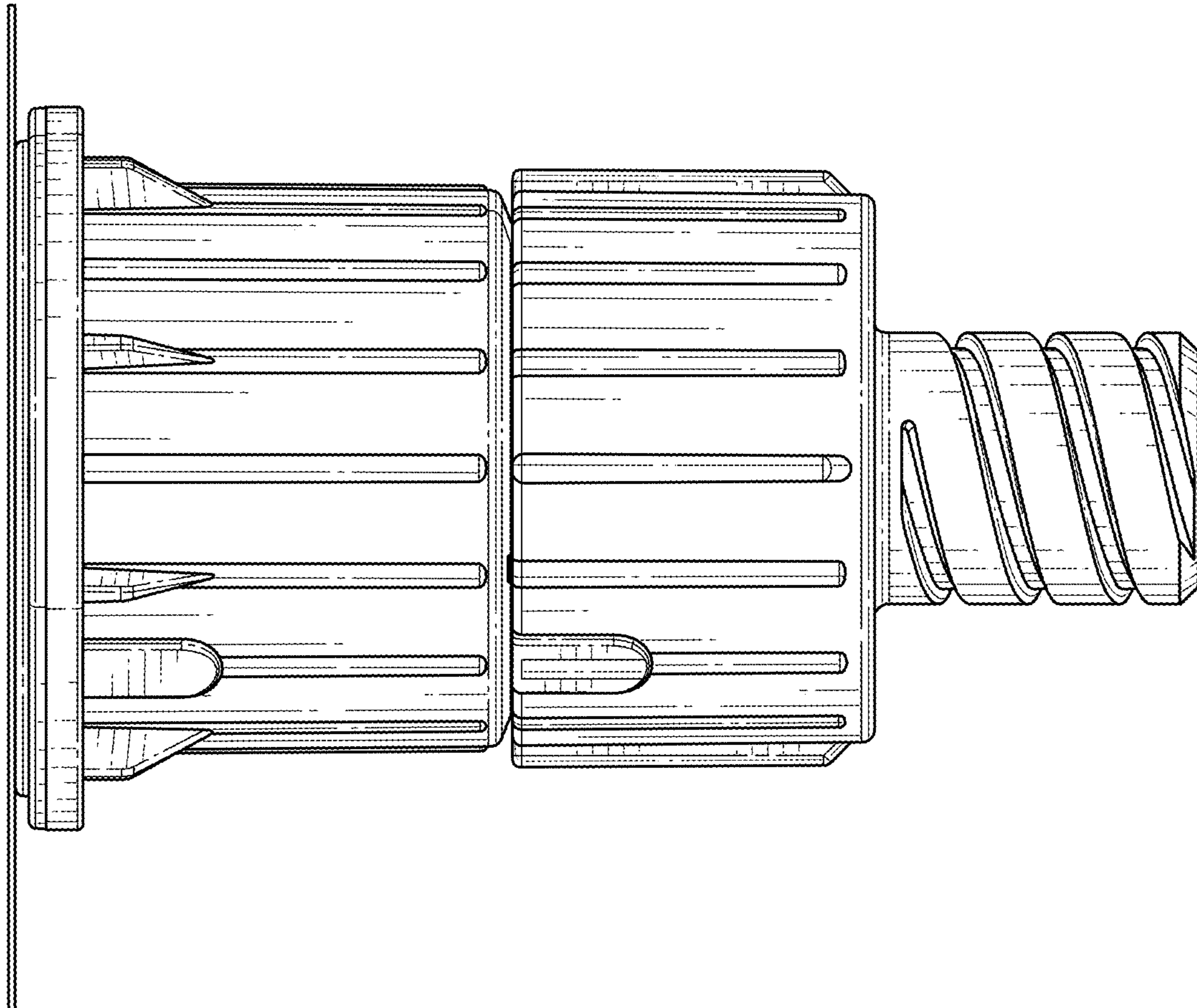


FIG. 3

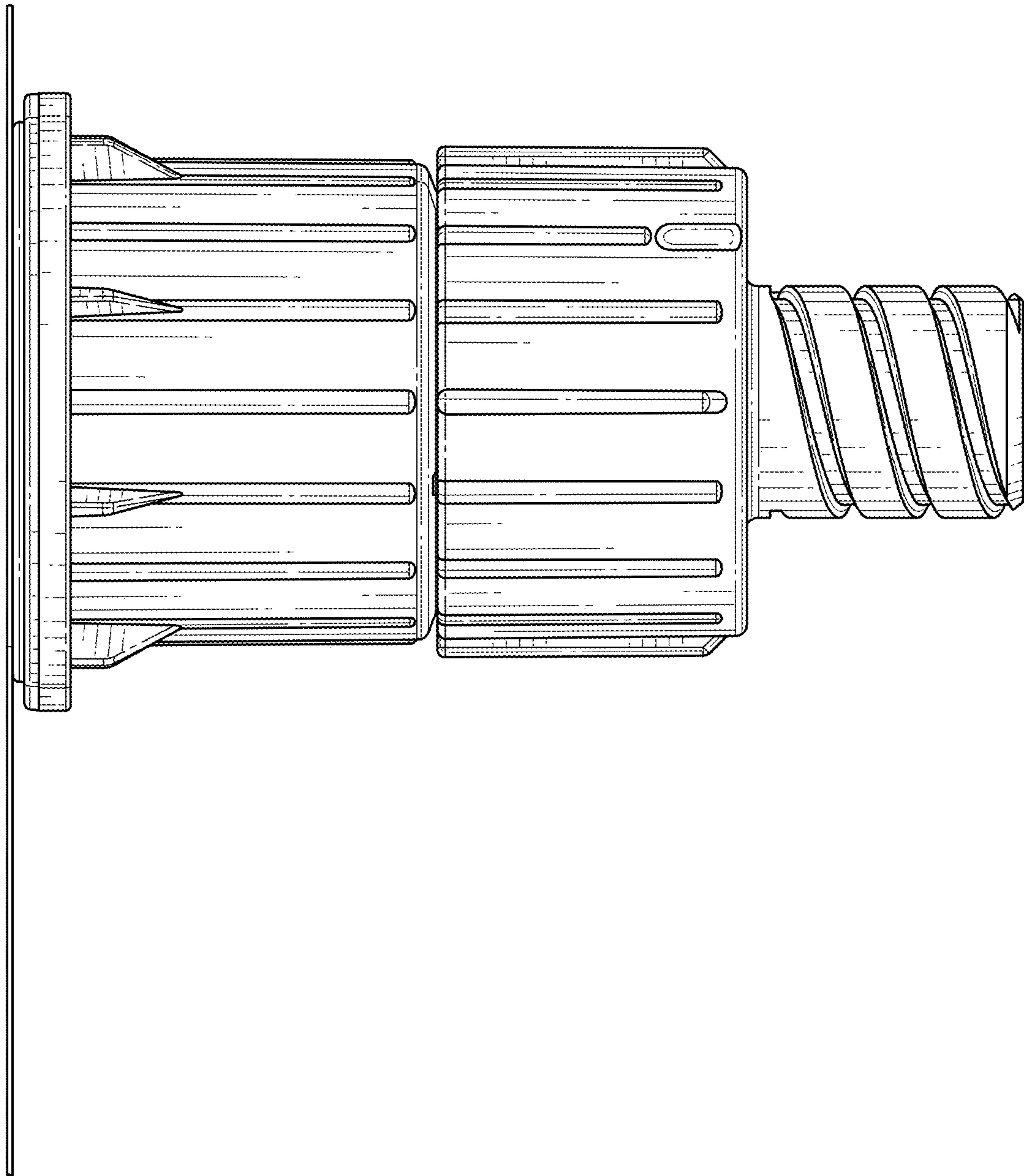


FIG. 4

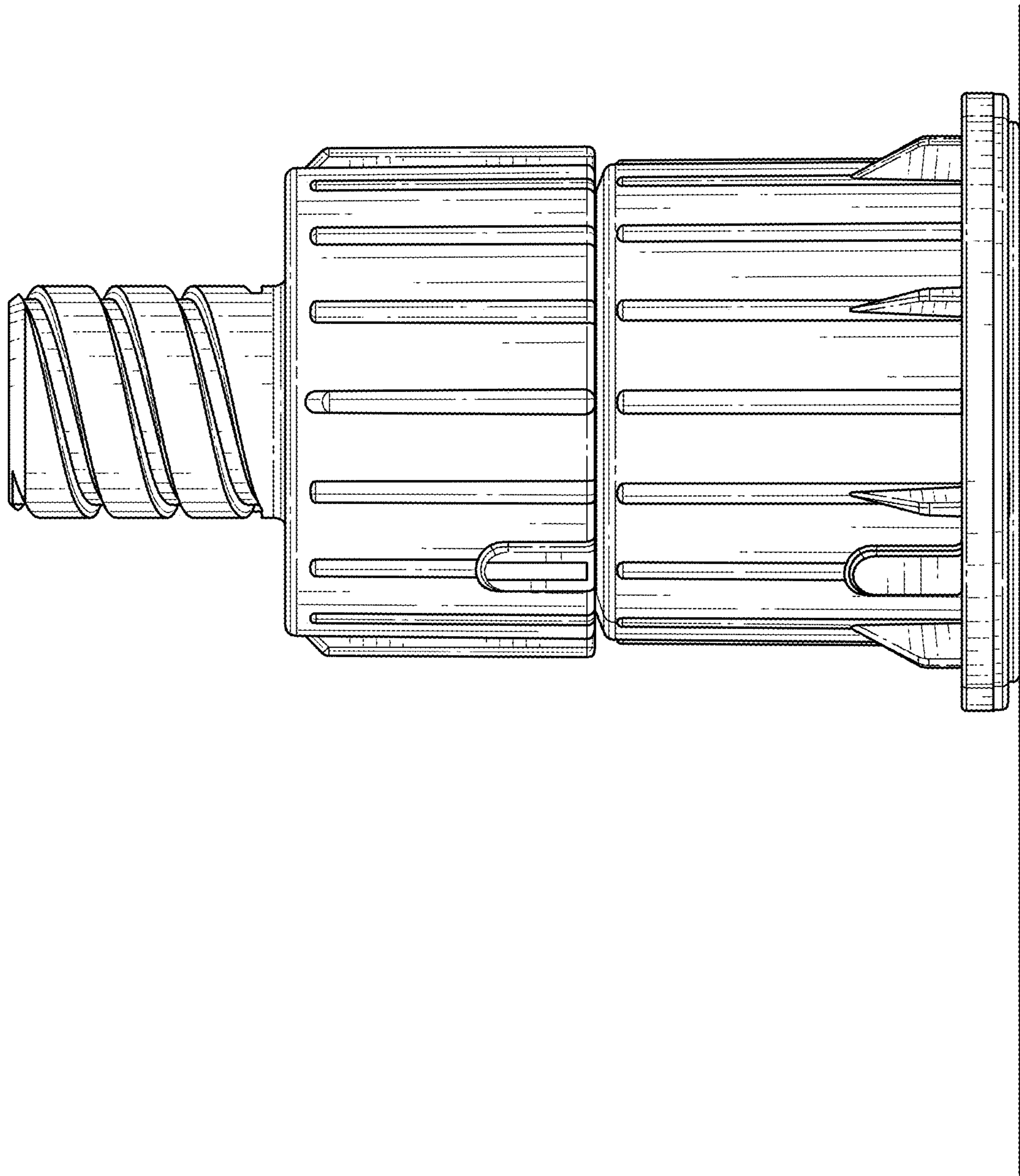


FIG. 5

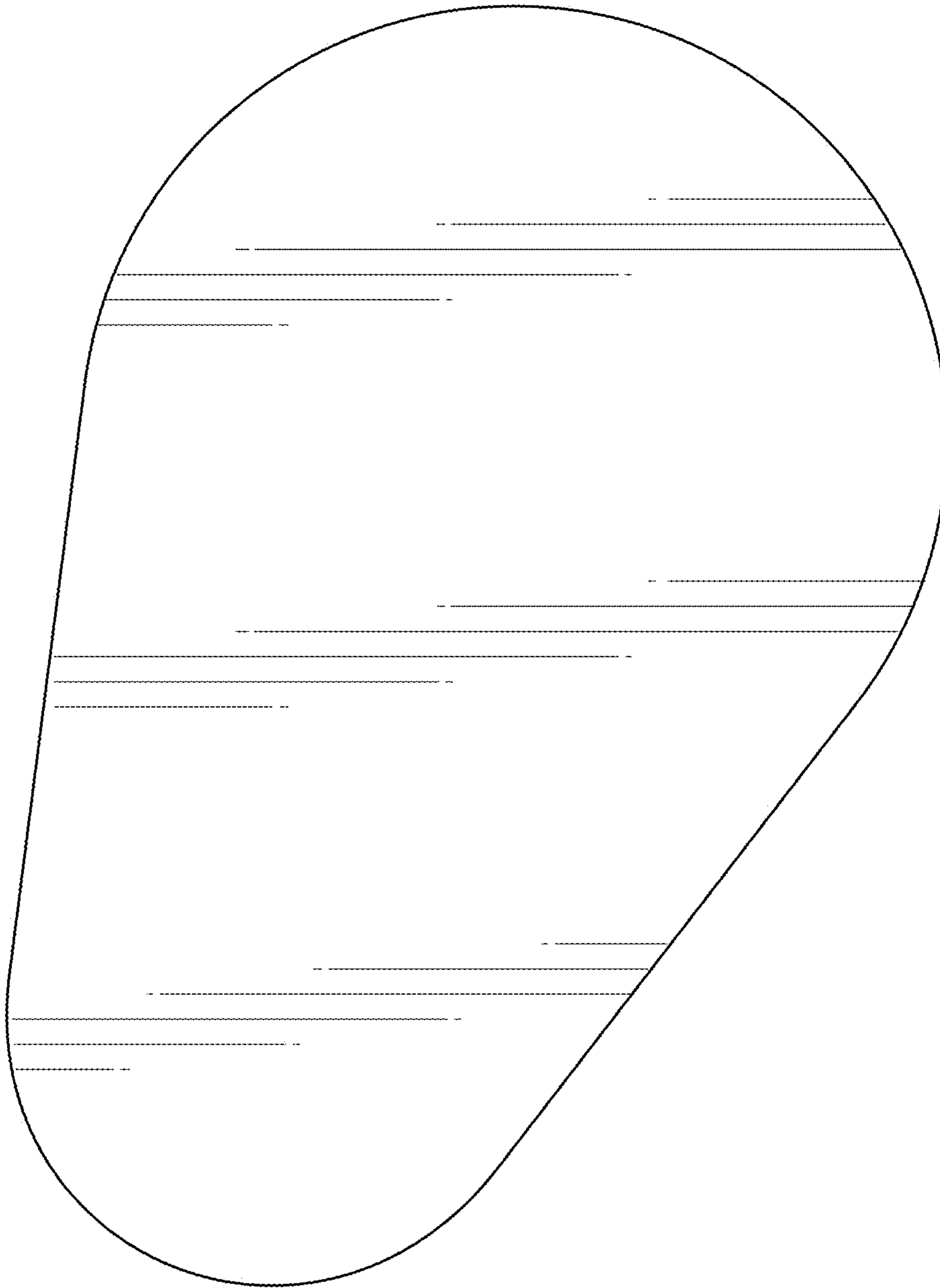


FIG. 6

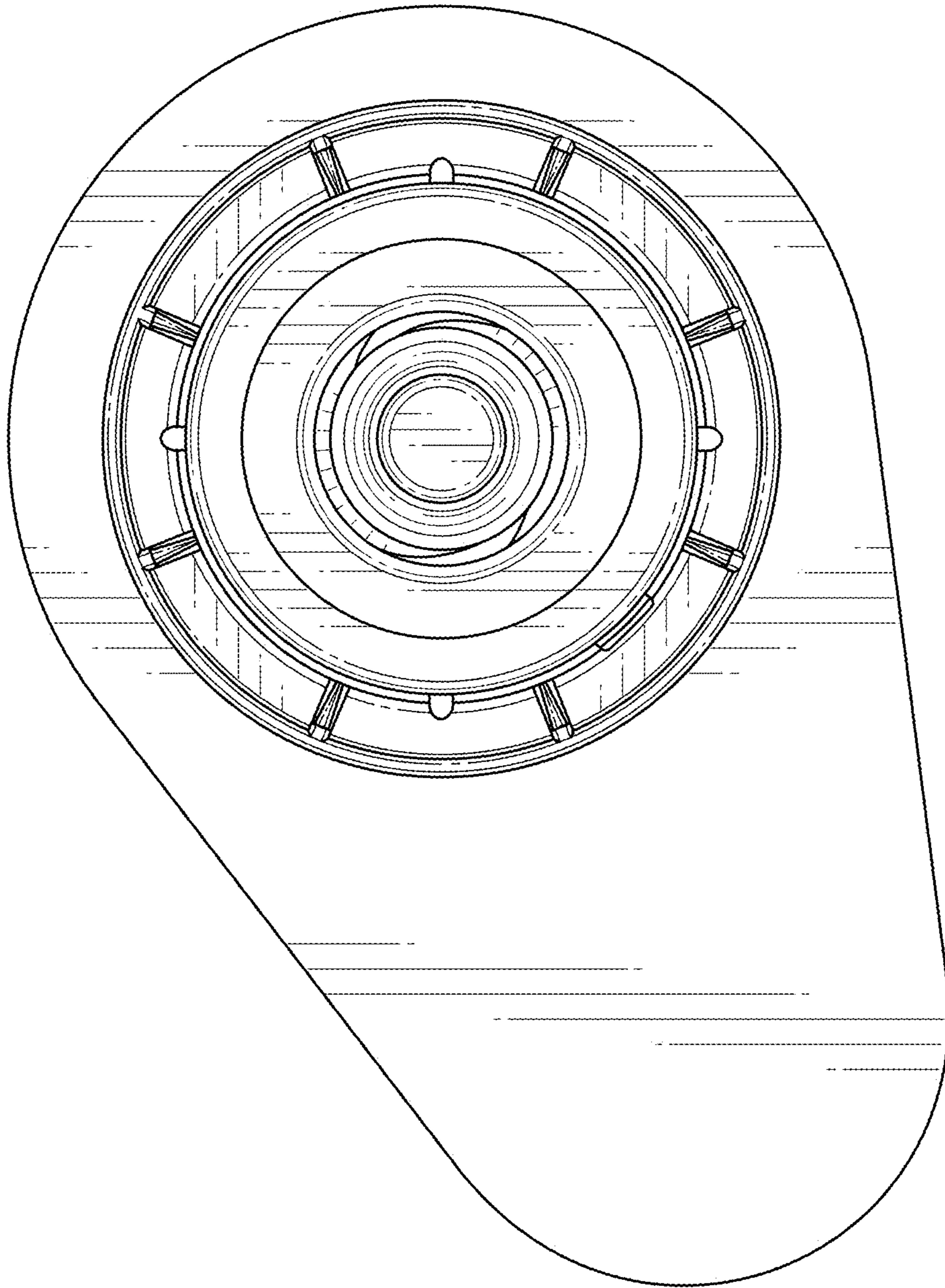


FIG. 7

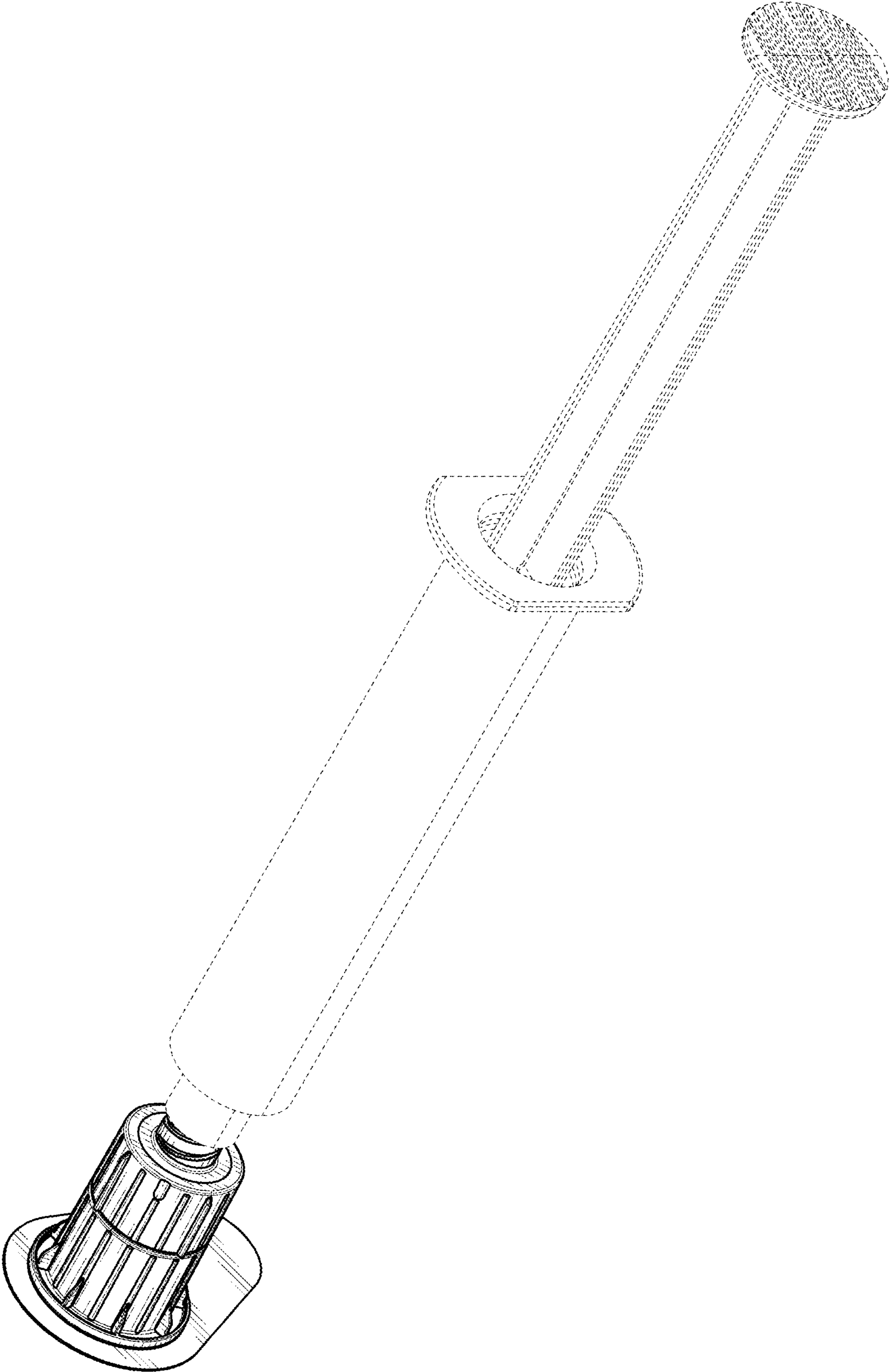


FIG. 8

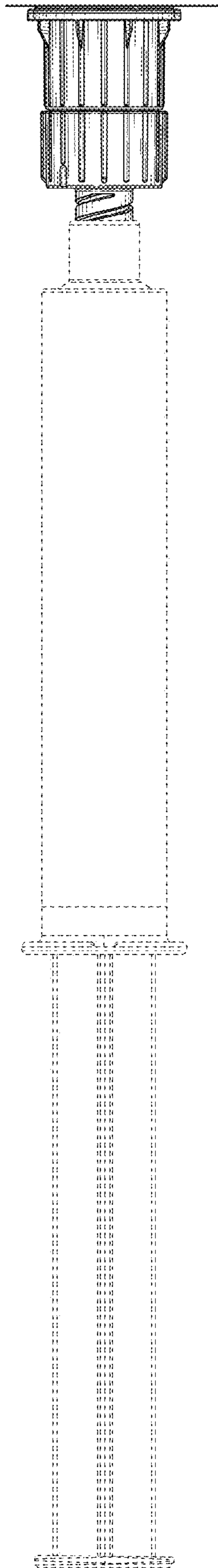


FIG. 9

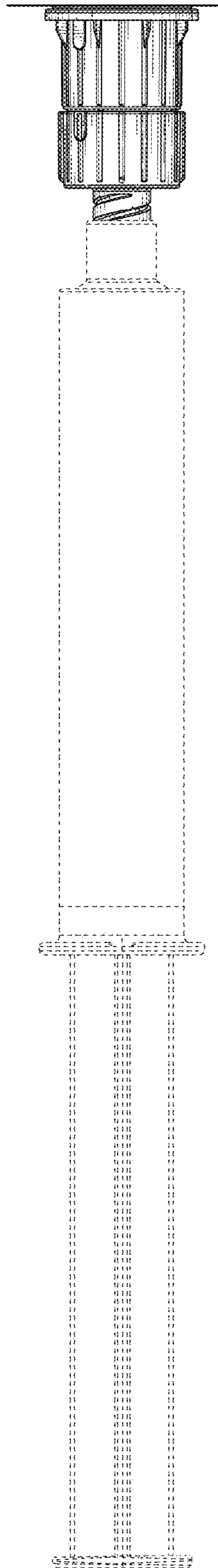


FIG. 10

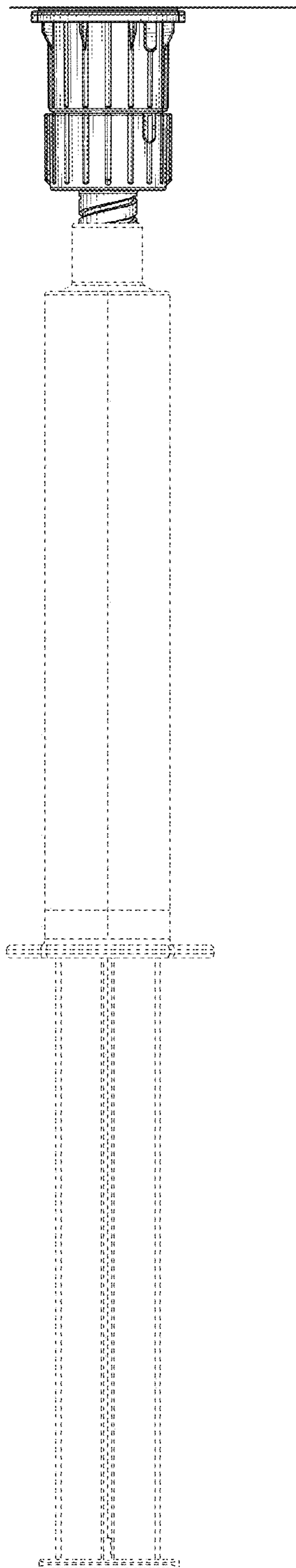


FIG. 11

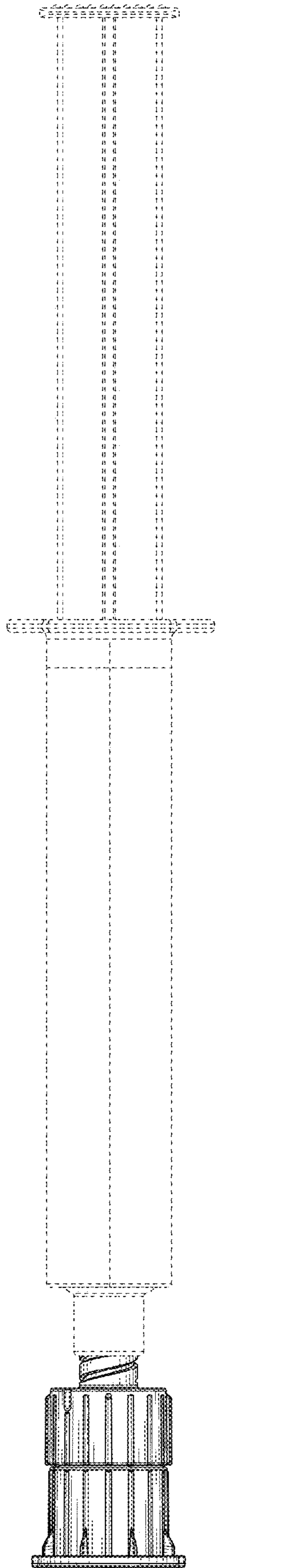


FIG. 12

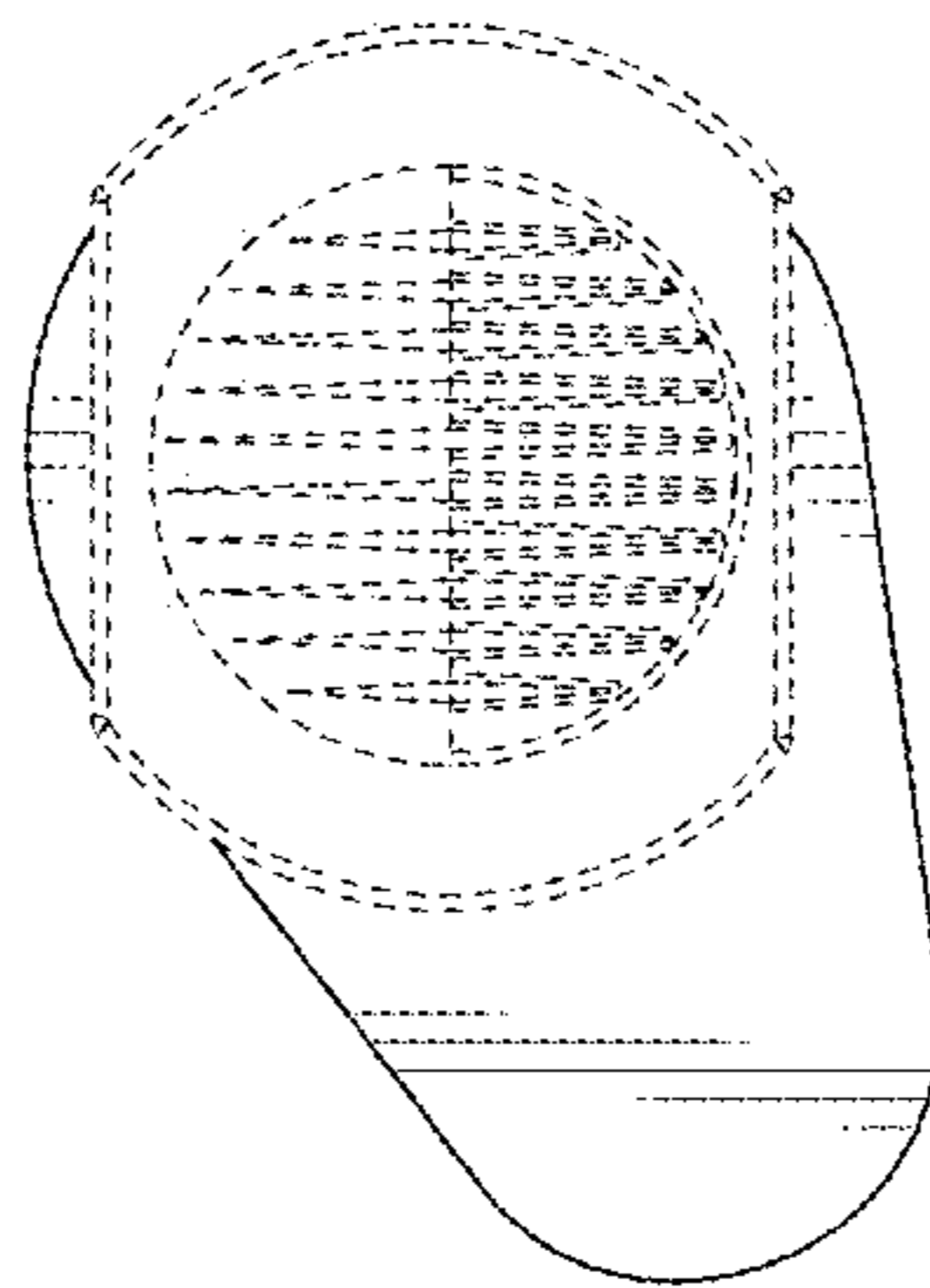


FIG. 13

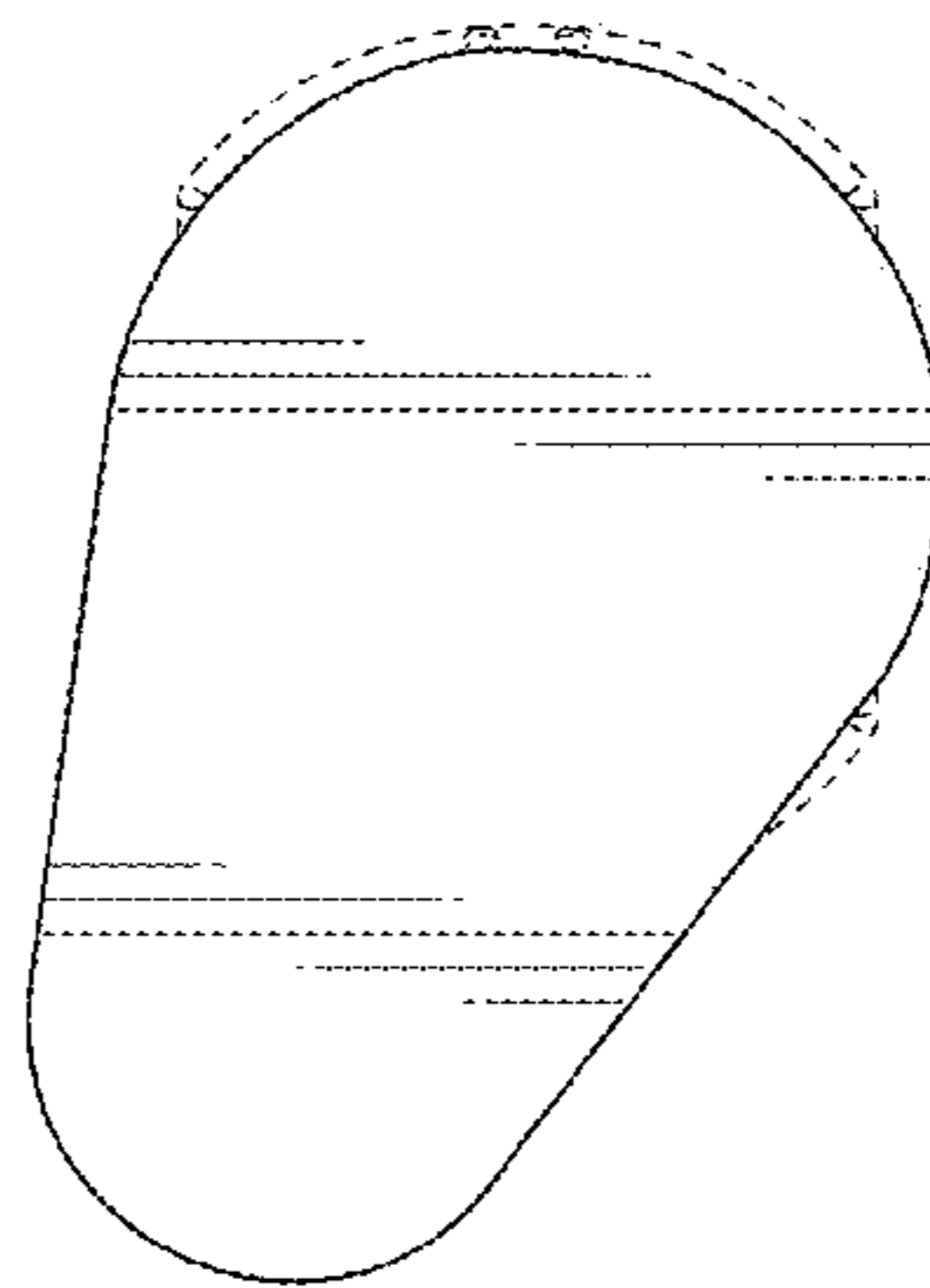


FIG. 14