



US00D965775S

(12) **United States Design Patent**
Dmitriev

(10) **Patent No.:** **US D965,775 S**

(45) **Date of Patent:** **** Oct. 4, 2022**

(54) **SEALING DEVICE**

(71) Applicant: **Daniel Dmitriev**, Agawam, MA (US)

(72) Inventor: **Daniel Dmitriev**, Agawam, MA (US)

(**) Term: **15 Years**

(21) Appl. No.: **29/757,236**

(22) Filed: **Nov. 4, 2020**

(51) **LOC (13) Cl.** **24-02**

(52) **U.S. Cl.**
USPC **D24/129**

(58) **Field of Classification Search**
USPC D24/127, 128, 129, 106, 143; D8/72, 73,
D8/394, 396, 349, 354, 371, 382, 383;
D12/223; D19/32, 86
CPC H01R 11/11; F16L 3/13; F16L 23/036
See application file for complete search history.

(56) **References Cited**

U.S. PATENT DOCUMENTS

- 5,249,996 A * 10/1993 Brown B63H 16/06
440/106
- D760,583 S * 7/2016 Weilage D8/395
- D804,659 S * 12/2017 Hood D24/128
- D815,517 S * 4/2018 Van Fleet D8/396
- D823,100 S * 7/2018 Boyce D8/382

- 10,139,015 B2 * 11/2018 VanValkenburgh F16L 3/02
- 11,060,243 B2 * 7/2021 Schäper E01B 9/60
- 11,125,357 B2 * 9/2021 Kumar F16L 3/123
- D938,887 S * 12/2021 Richardson D8/394
- D941,465 S * 1/2022 Guala D24/129

FOREIGN PATENT DOCUMENTS

KR 300888598.0000 * 1/2017

* cited by examiner

Primary Examiner — Natasha Vujcic

Assistant Examiner — Gilbert B Ford

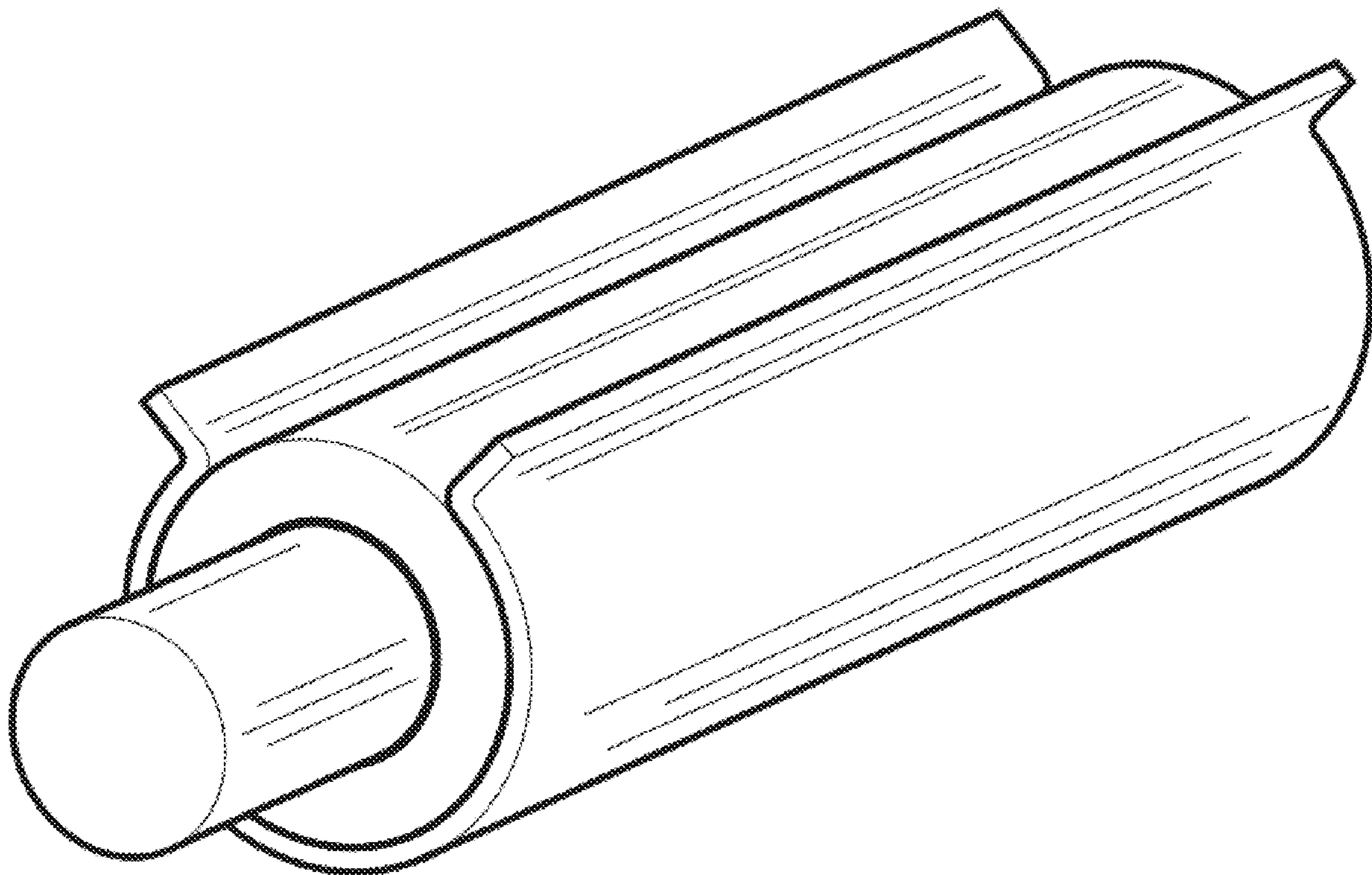
(57) **CLAIM**

The ornamental design for a sealing device, as shown and described.

DESCRIPTION

FIG. 1 is a front, perspective view of a sealing device;
 FIG. 2 is a front, perspective view of FIG. 1, but shown with a bladder sealed therein.
 FIG. 3 is a front-perspective, exploded view of a sealing device of the present embodiment;
 FIG. 4 is a front view thereof;
 FIG. 5 is a right view, the left view being the mirror image thereof;
 FIG. 6 is a top view thereof; and,
 FIG. 7 is a bottom view thereof.
 The broken lines in the drawings illustrate portions of the sealing device and form no part of the claimed design.

1 Claim, 6 Drawing Sheets



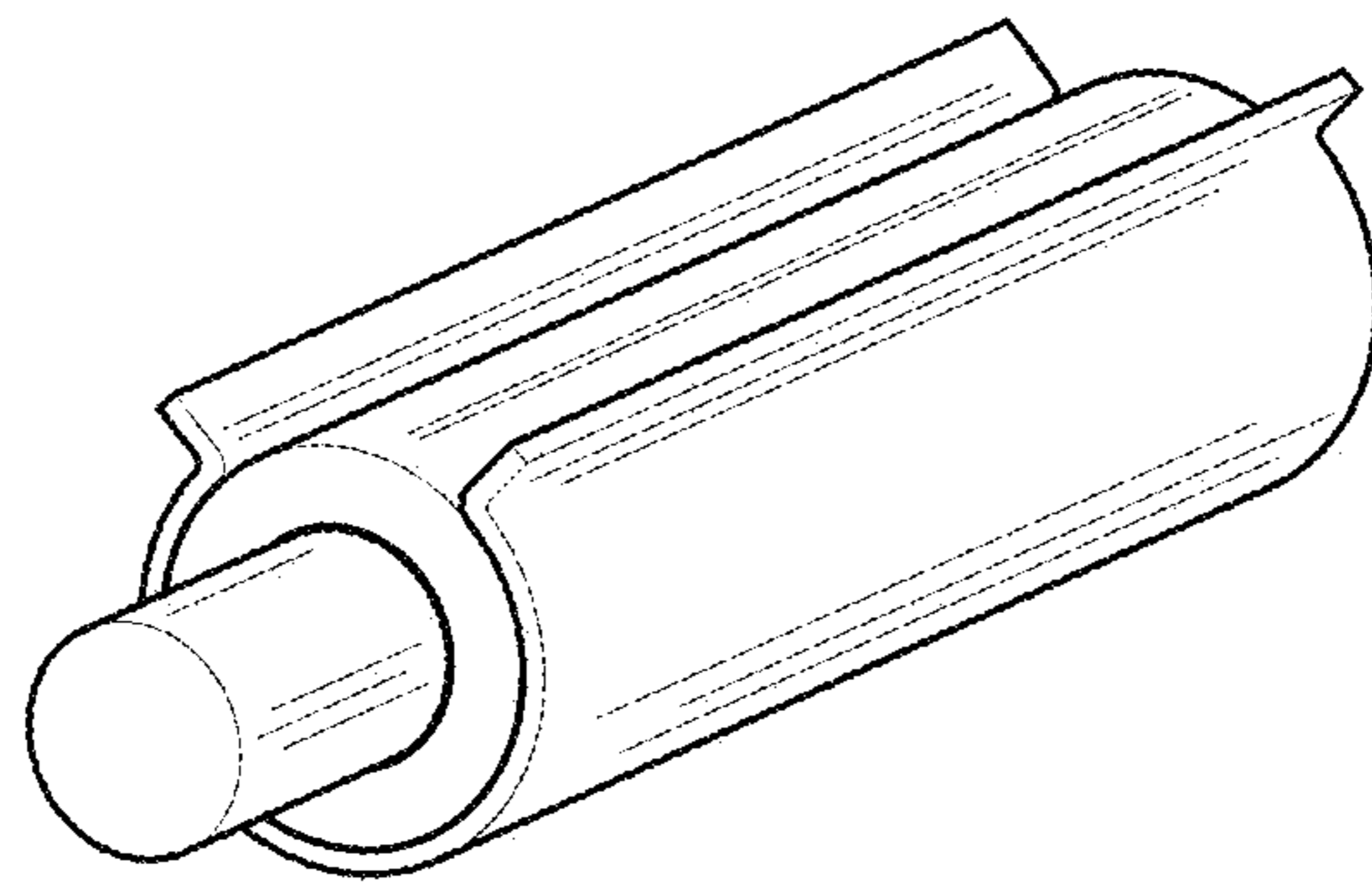


FIG. 1

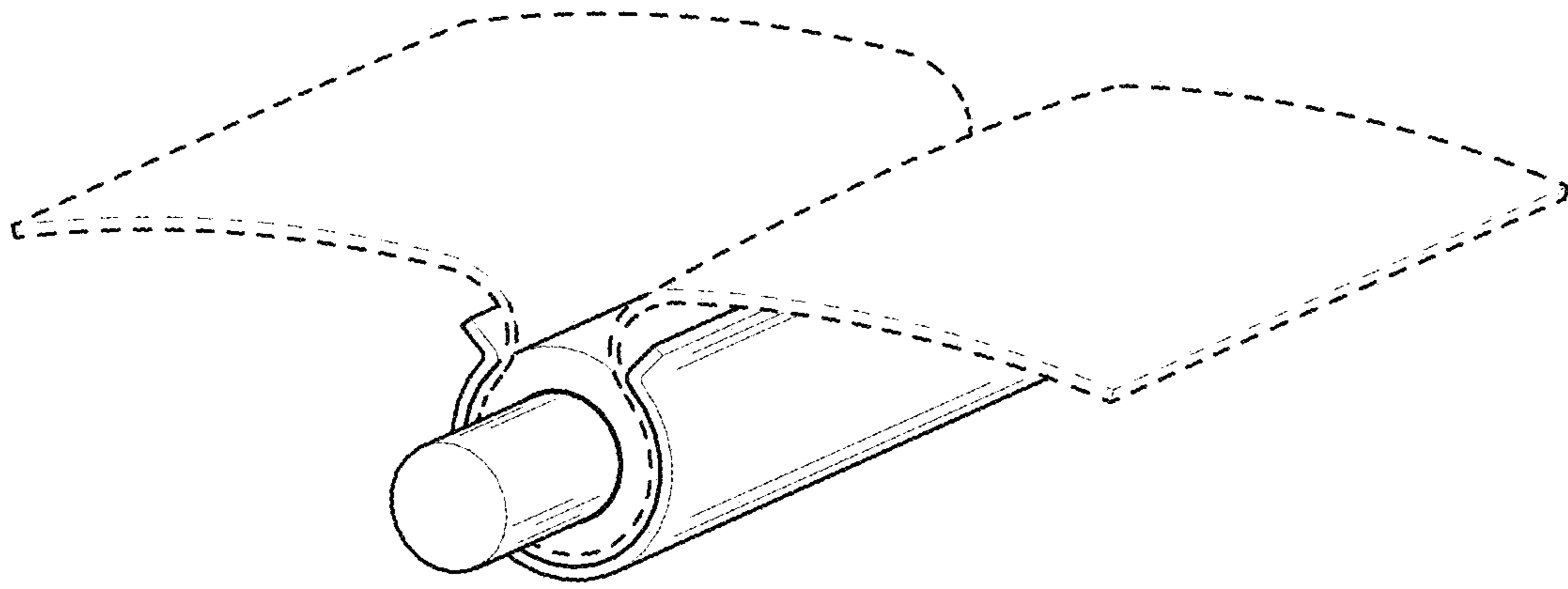


FIG. 2

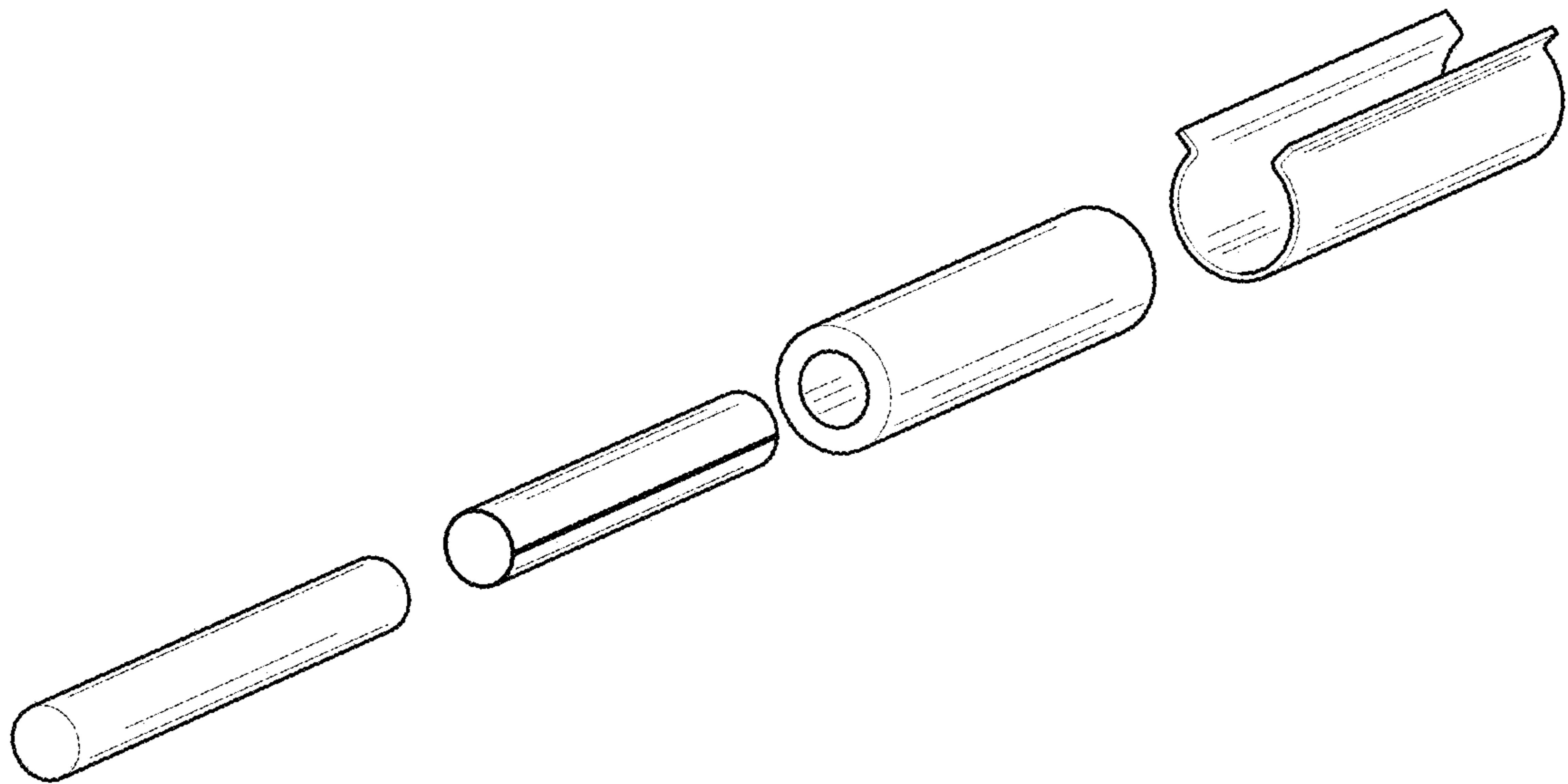


FIG. 3

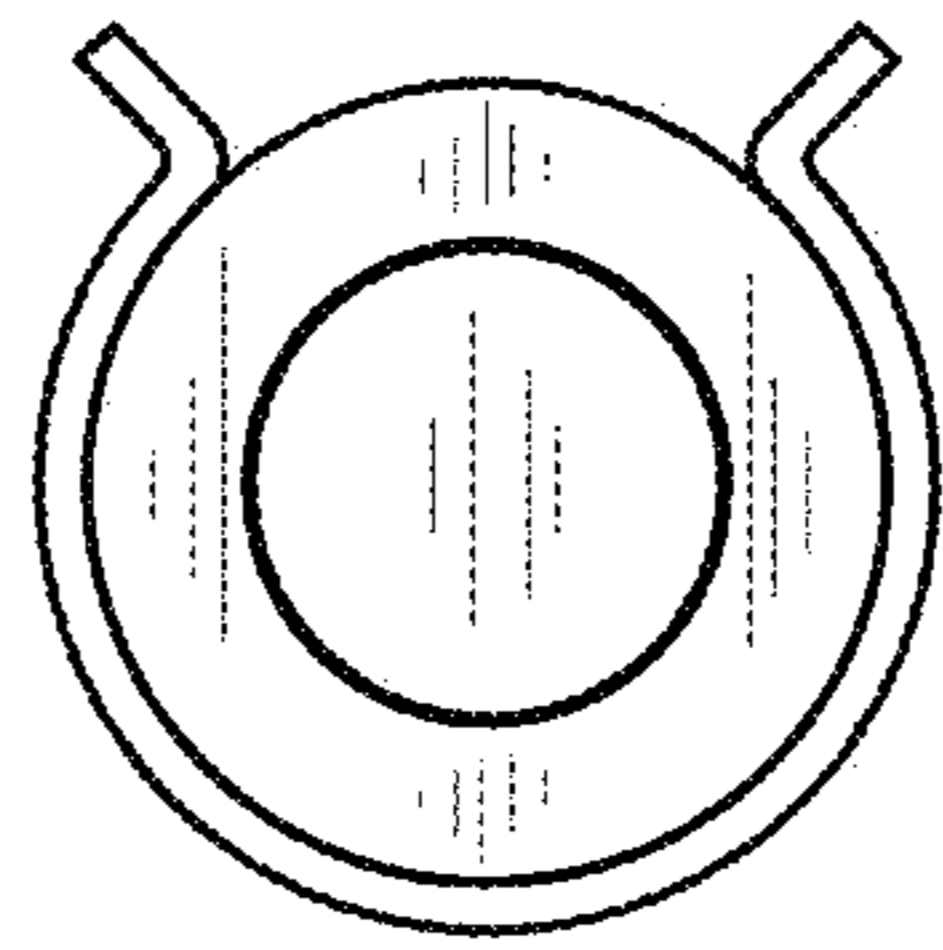


FIG. 4

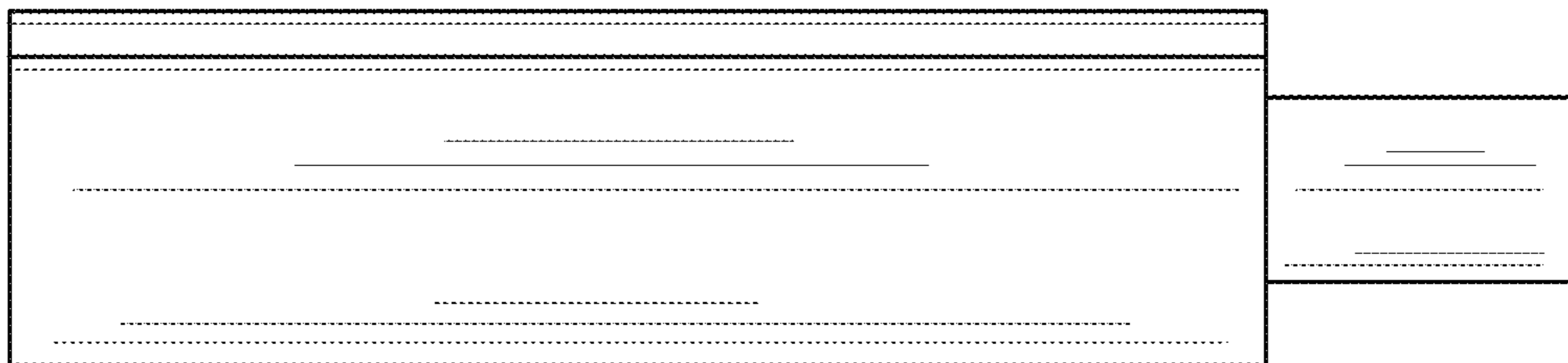


FIG. 5

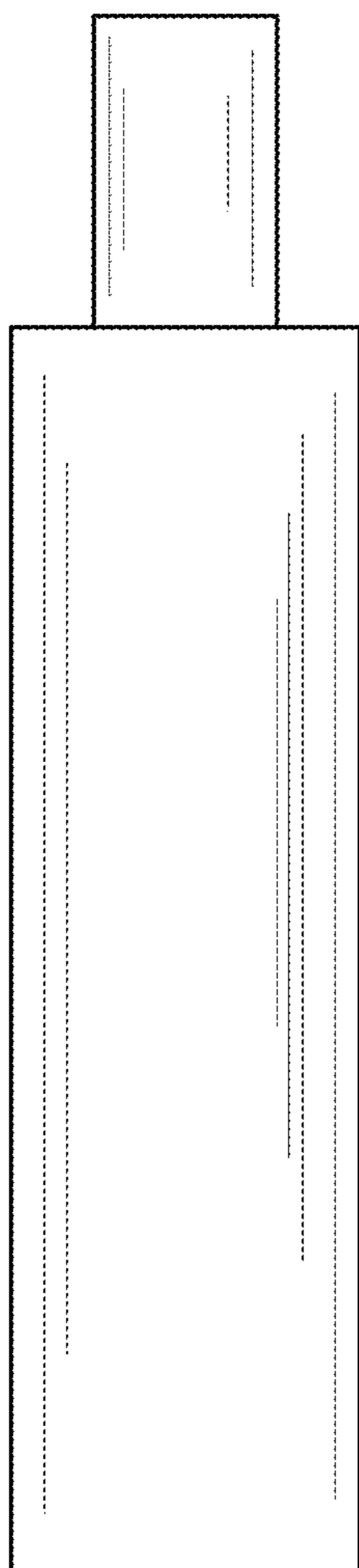


FIG. 6

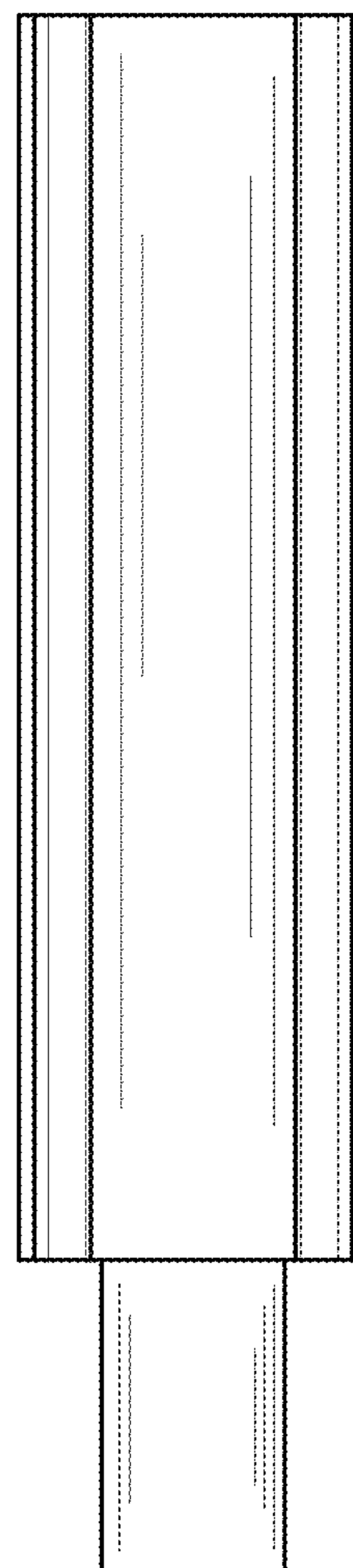


FIG. 7