



US00D965766S

(12) **United States Design Patent** (10) **Patent No.:** **US D965,766 S**
Smith et al. (45) **Date of Patent:** **** Oct. 4, 2022**

(54) **TRANSFORMABLE INHALER**
(71) Applicant: **Inhaler Limited**, West Linton (GB)

D681,804 S * 5/2013 Sheehy D24/110
D916,274 S * 4/2021 Aktas D24/110.5
2019/0111221 A1* 4/2019 Richardson B65D 83/386

(72) Inventors: **Donald Smith**, Edinburgh (GB);
Gregor John McLennan Anderson,
London (GB); **Lisa Charleston**
McMyn, West Linton (GB); **Alan**
Miller Suttie, Glasgow (GB)

OTHER PUBLICATIONS

(73) Assignee: **INHALER LIMITED**, West Linton
(GB)

Youtube. An Idea Is Not Enough | Don Smith |
TEDxRoyalTunbridgeWells by TEDx Talks. Apr. 8, 2019. <https://www.youtube.com/watch?v=goBQXiDR38l&t=433s> (Year: 2019).*
Medium. Adventures in invention, the journey continues. Sep. 28,
2021. https://medium.com/@donsmith_64733/adventures-in-invention-the-journey-continues-ab2c5cf4f5ab (Year: 2021).*
Invent Disrupt. Inventing. No date specified. <https://www.inventdisrupt.com/inventing> (Year: 0).*
Nutra Ingredients Asia. Jan. 18, 2018. <https://www.nutraingredients-asia.com/Article/2018/01/15/Inventor-s-wheeze-could-deliver-inhaled-nutrition>. <https://www.nutraingredients-asia.com/Article/2018/01/15/Inventor-s-wheeze-could-deliver-inhaled-nutrition> (Year: 2018).*

(**) Term: **15 Years**

* cited by examiner

(21) Appl. No.: **35/510,791**

(22) Filed: **Sep. 18, 2020**

Primary Examiner — Darcey E Gottschalk
(74) *Attorney, Agent, or Firm* — Muncy, Geissler, Olds &
Lowe, P.C.

(80) **Hague Agreement Data**

Int. Filing Date: **Sep. 18, 2020**
Int. Reg. No.: **DM/211195**
Int. Reg. Date: **Sep. 18, 2020**
Int. Reg. Pub. Date: **Nov. 20, 2020**

(57) **CLAIM**

(51) **LOC (13) Cl.** **29-02**
(52) **U.S. Cl.**
USPC **D24/110**

The ornamental design for a transformable inhaler, as shown
and described.

(58) **Field of Classification Search**
USPC D24/110, 110.4, 110.5, 110.6;
D27/162-164, 167, 169
CPC A61M 11/00; A61M 15/002; A61M
15/0043; A61M 15/0061; A61M 2202/064
See application file for complete search history.

DESCRIPTION

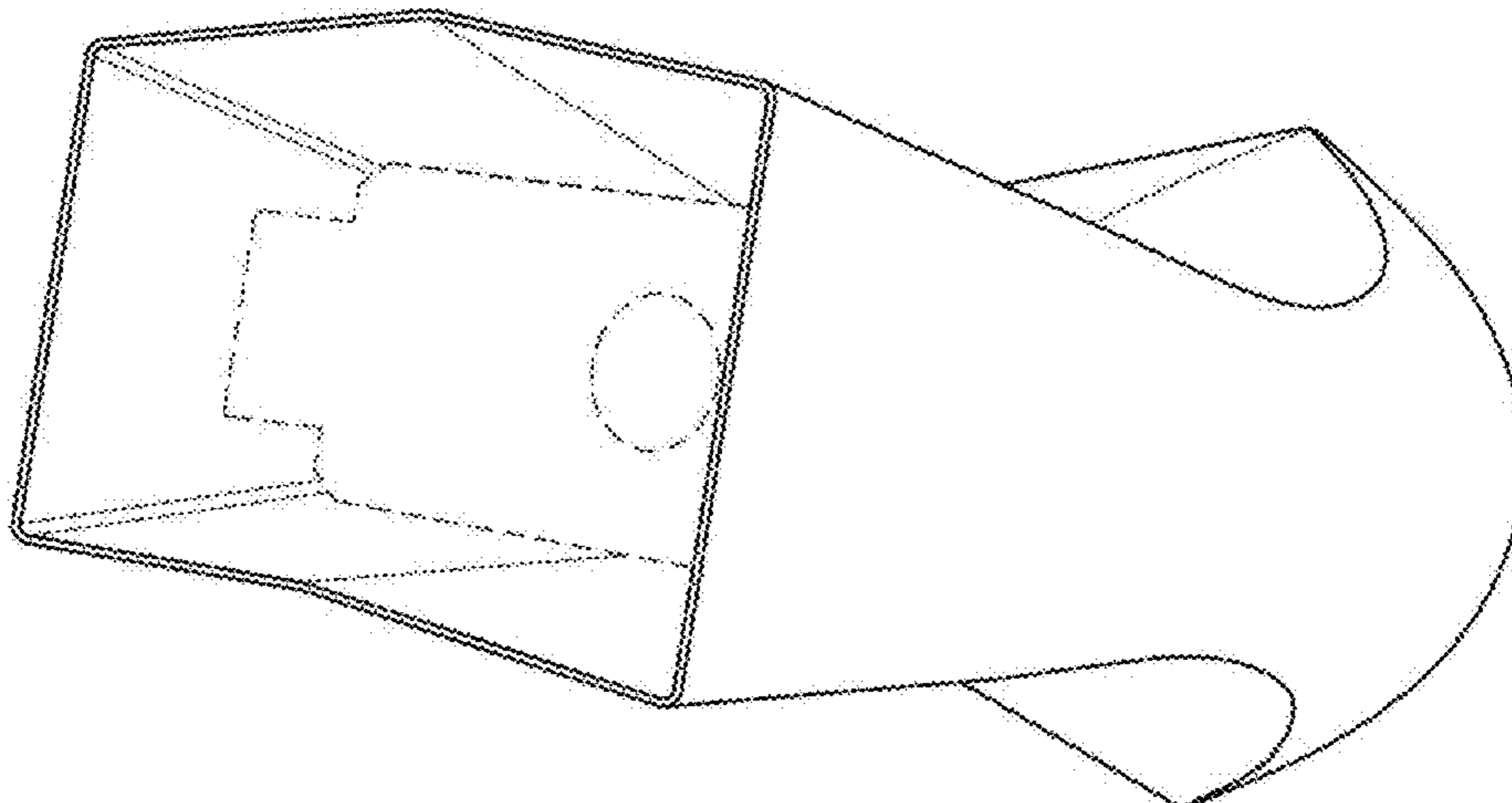
(56) **References Cited**

U.S. PATENT DOCUMENTS

636,786 A * 11/1899 Francis A61M 16/06
128/203.29
D237,017 S * 9/1975 Beaufour D9/523
D266,695 S * 10/1982 Trammll D21/411
D373,630 S * 9/1996 Berg D24/110
D412,744 S * 8/1999 Braithwaite D24/110

- 1. Transformable inhaler
- 1.1 : Top view in folded state
- 1.2 : Side view in folded state
- 1.3 : Front isometric view in unfolded state
- 1.4 : Rear isometric view in unfolded state
- 1.5 : Left view in unfolded state
- 1.6 : Right view in unfolded state
- 1.7 : Front view in unfolded state
- 1.8 : Rear view in unfolded state
- 1.9 : Top view in unfolded state
- 1.10 : Bottom view in unfolded state

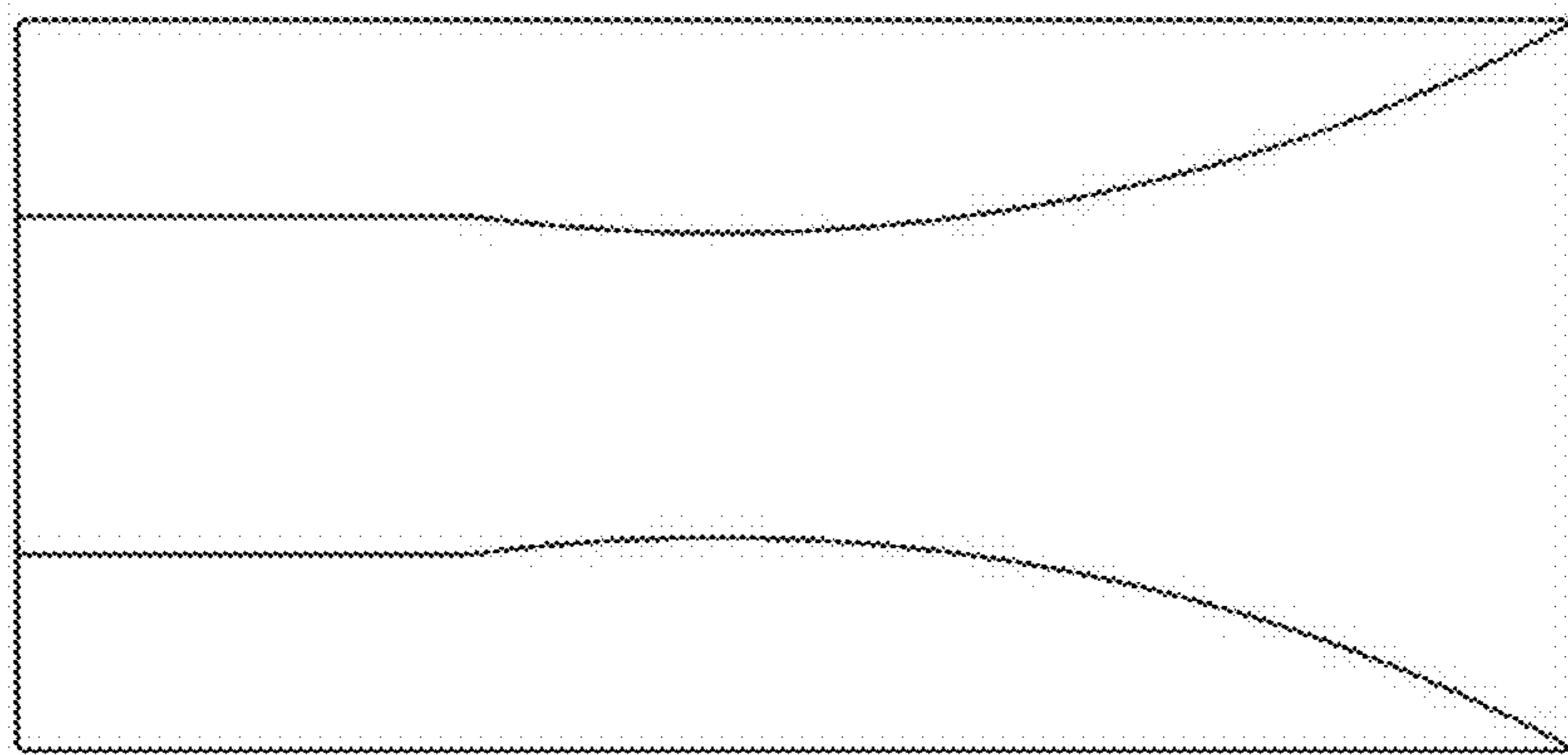
(Continued)



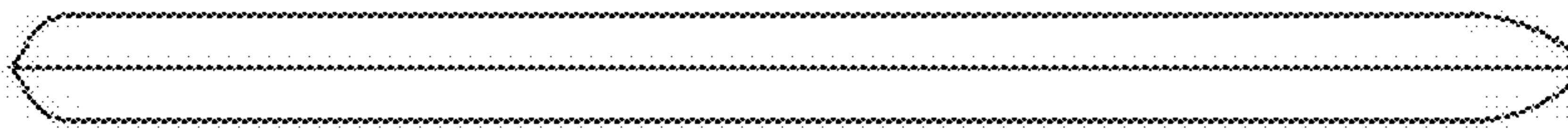
In the reproductions, the broken lines show portions of the transformable inhaler that form no part of the claim.

1 Claim, 10 Drawing Sheets

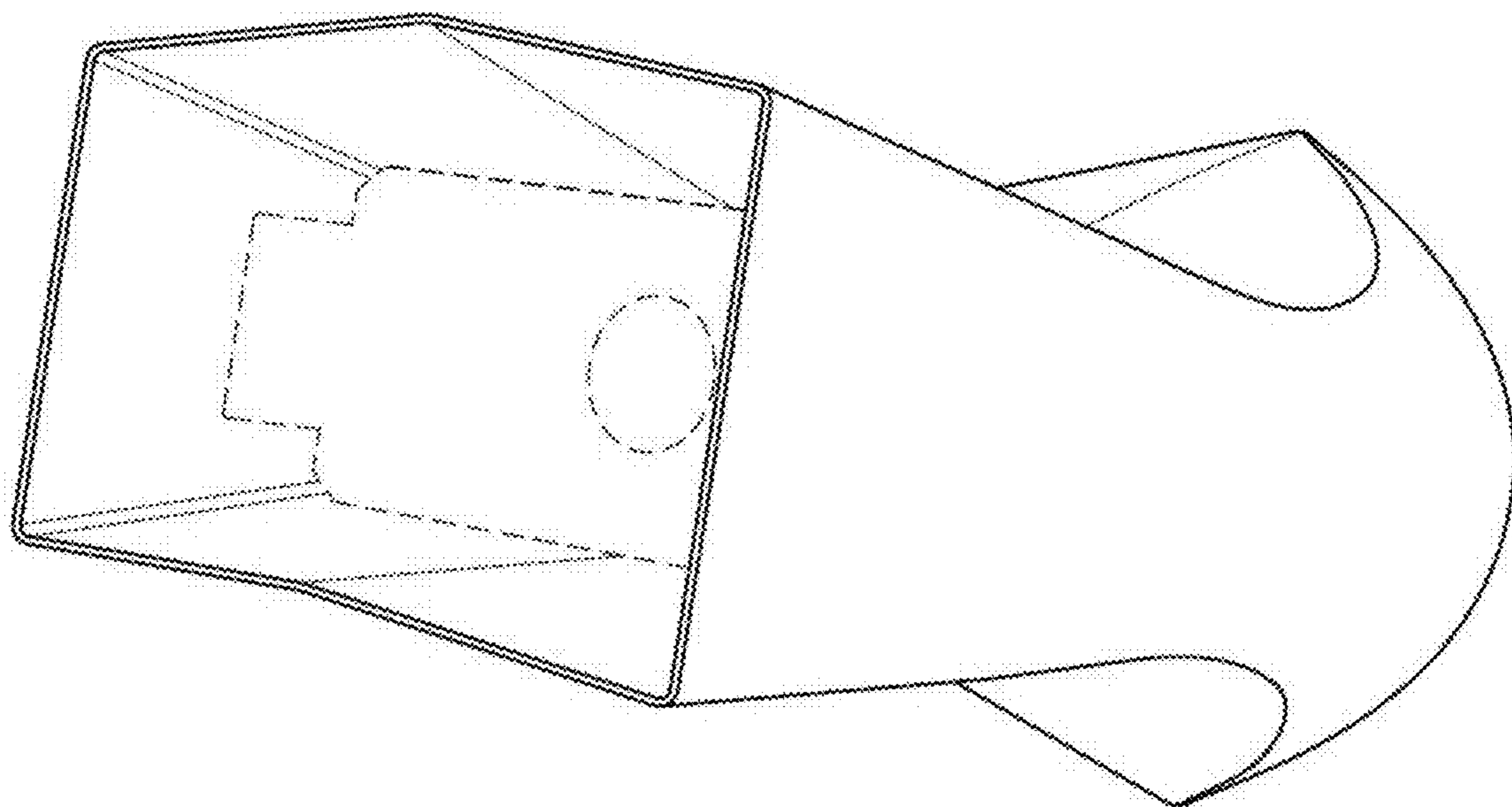
1.1



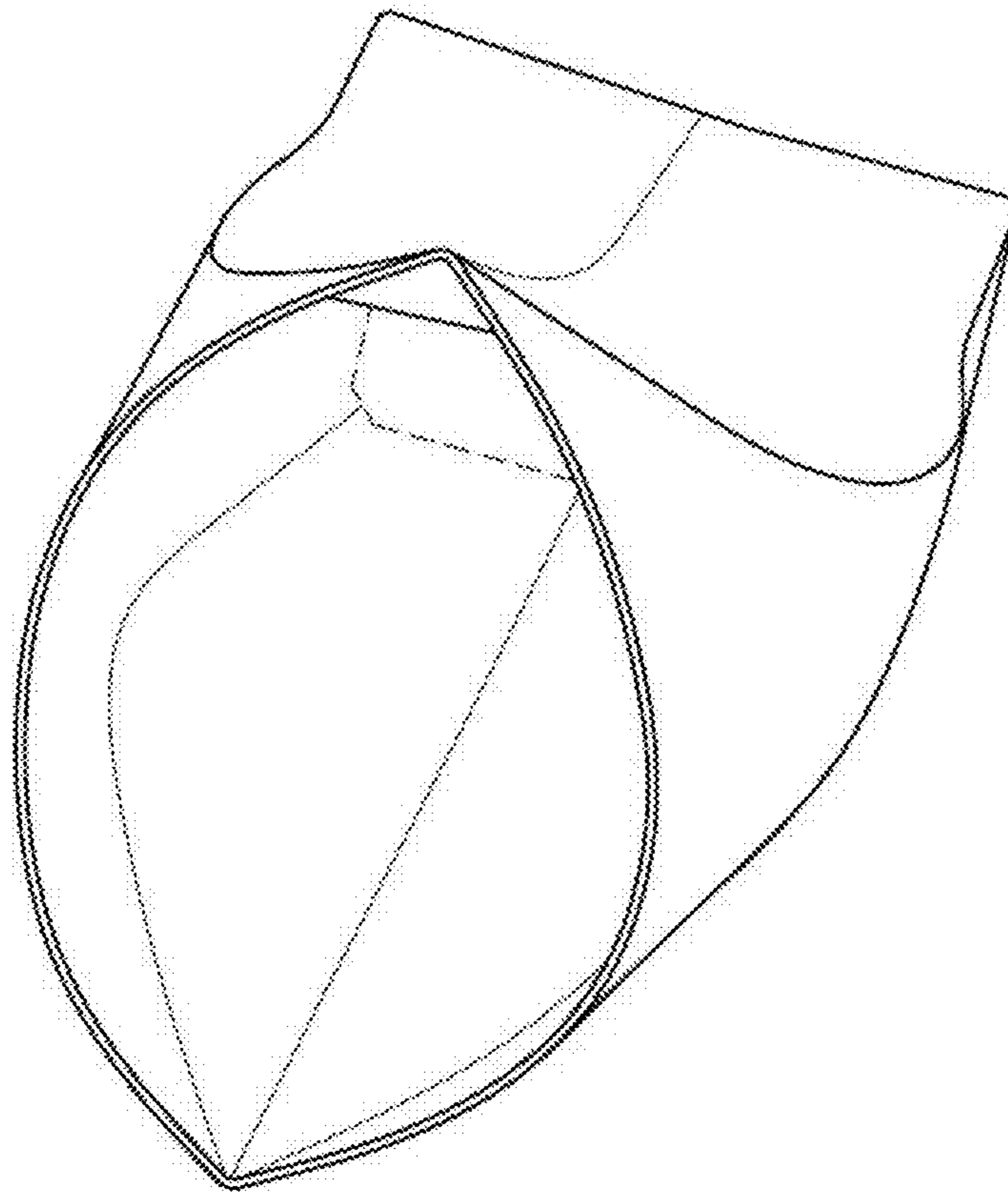
1.2



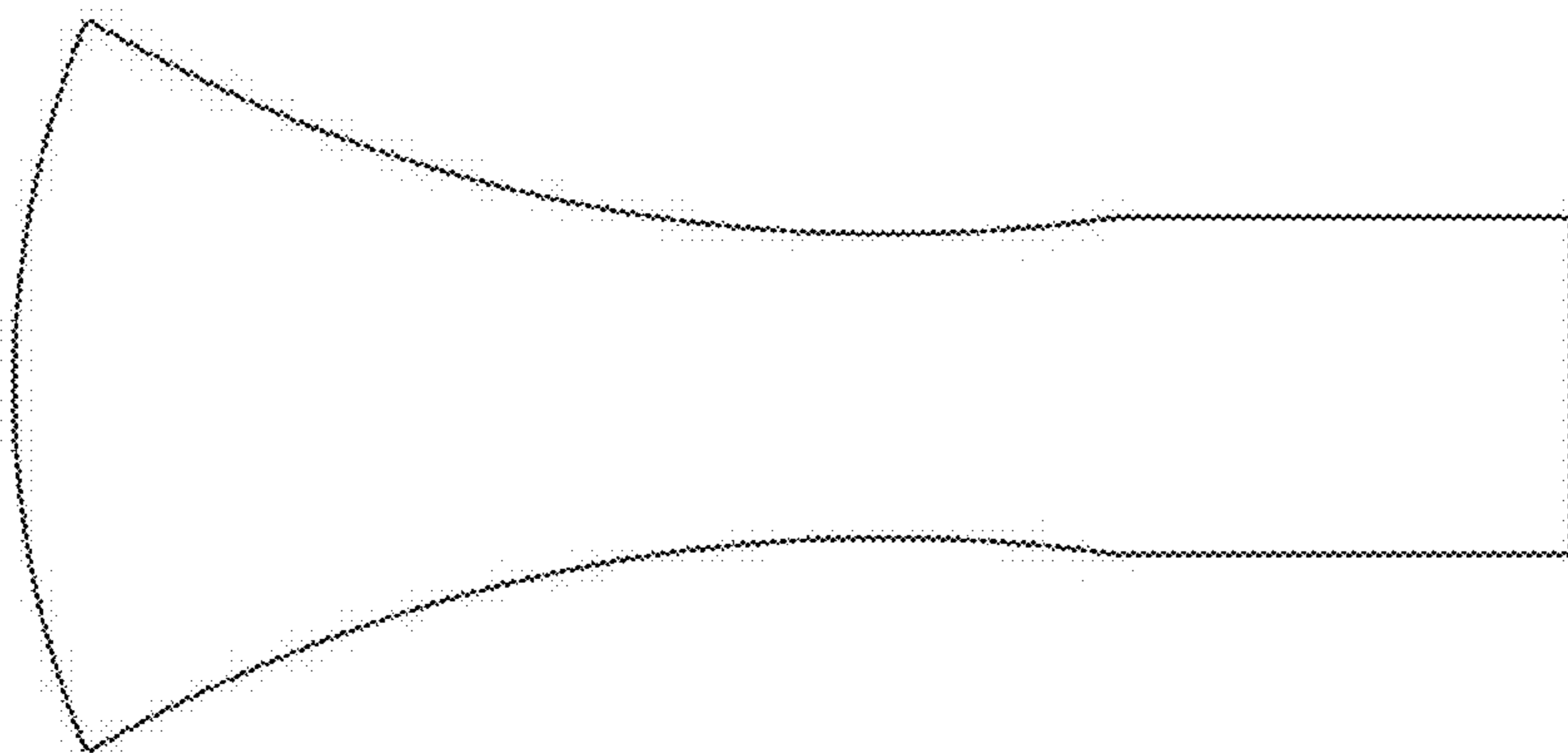
1.3



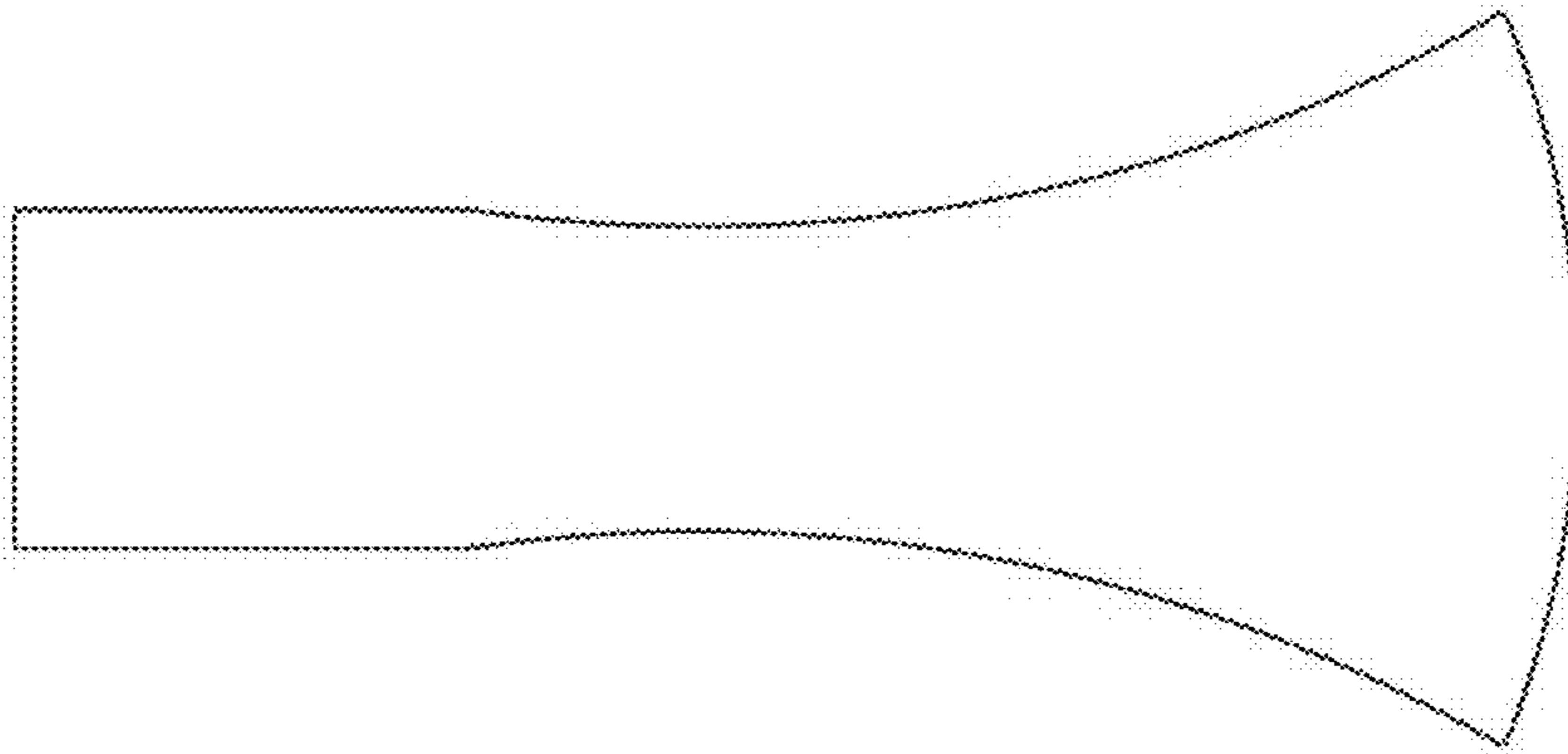
1.4



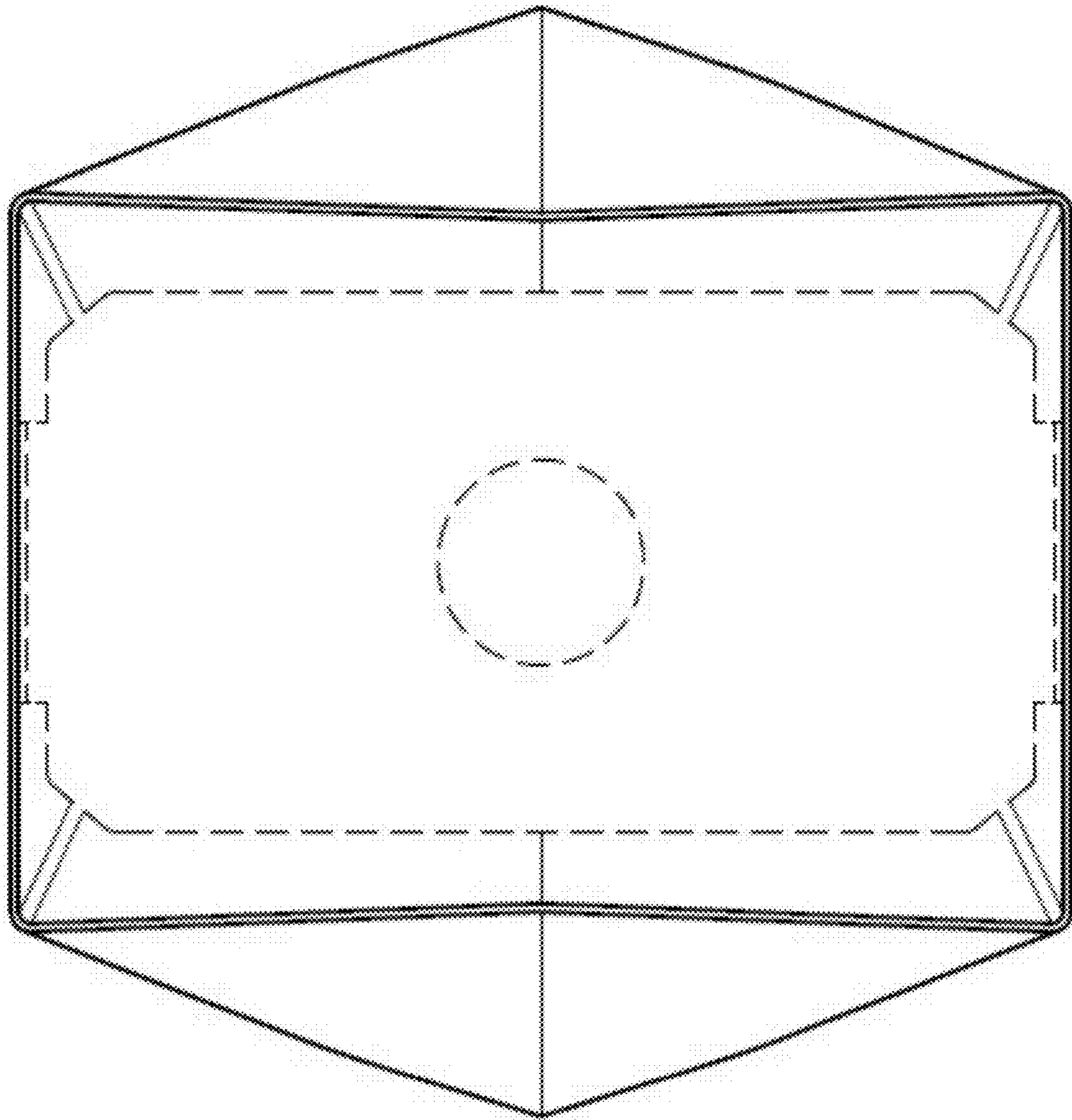
1.5



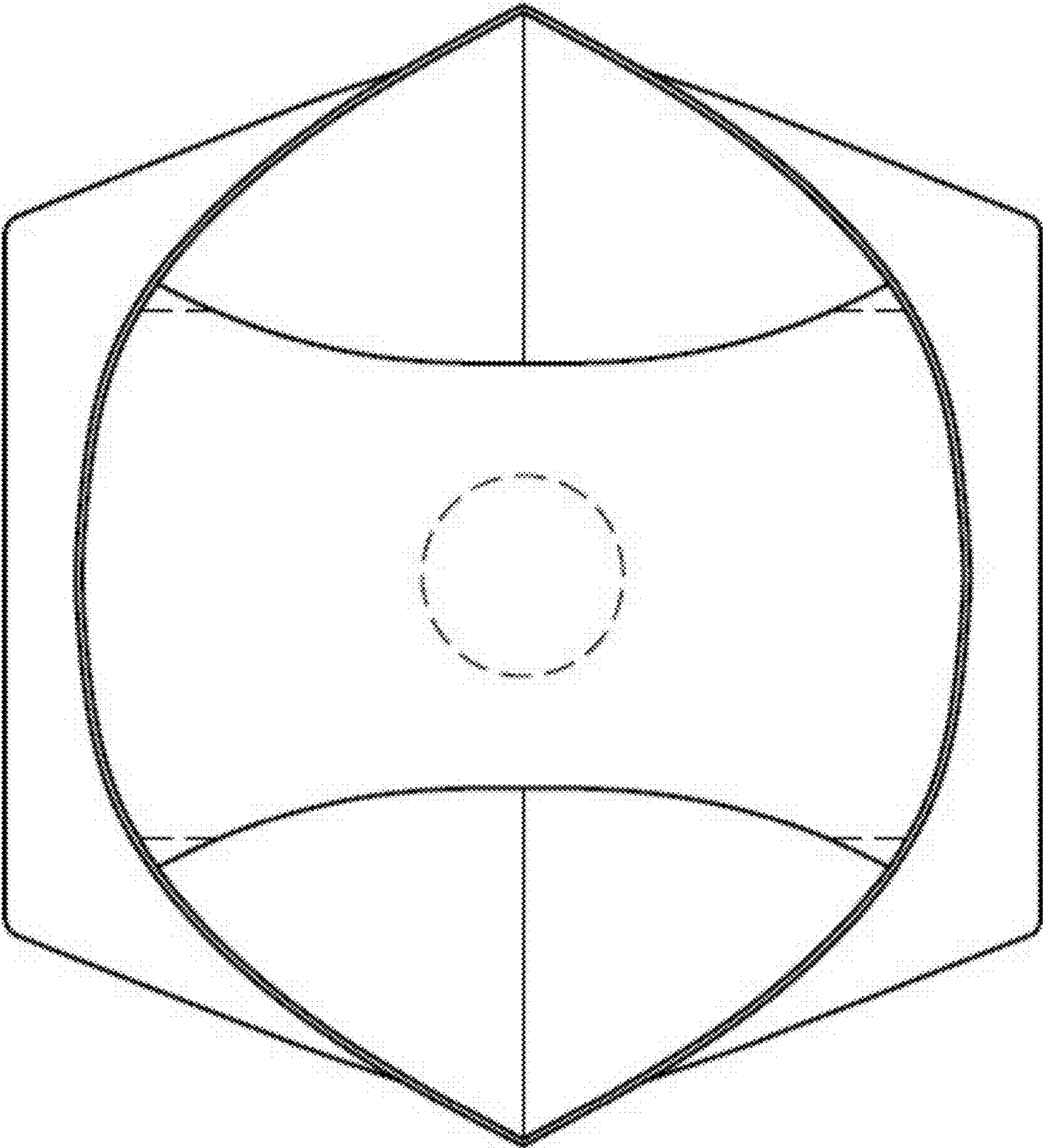
1.6



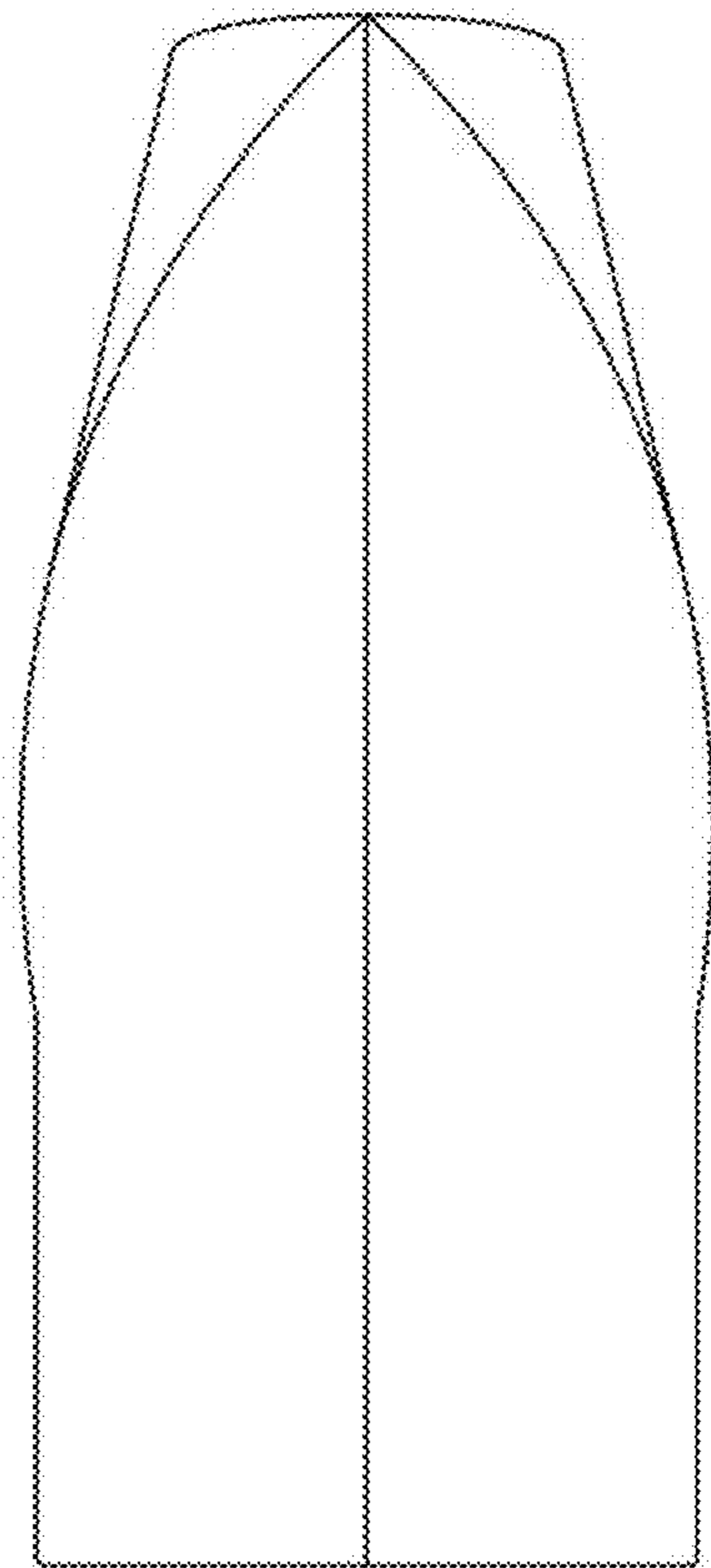
1.7



1.8



1.9



1.10

