



US00D965765S

(12) **United States Design Patent** (10) **Patent No.:** **US D965,765 S**  
**Zhang** (45) **Date of Patent:** **\*\* Oct. 4, 2022**

(54) **NASAL ASPIRATOR**

FOREIGN PATENT DOCUMENTS

(71) Applicant: **ZhongShan Shumax International Trade Co., Ltd.**, GuangDong (CN)

CN 304666580 \* 6/2018  
CN 304666580 S 6/2018

(Continued)

(72) Inventor: **Shu Ting Zhang**, Hubei (CN)

(73) Assignee: **ZhongShan Shumax International Trade Co., Ltd.**, ZhongShan (CN)

OTHER PUBLICATIONS

(\*\*) Term: **15 Years**

[OCCObaby Baby Nasal Aspirator—Safe Hygienic and Quick Battery Operated Nose Cleaner with 3 Sizes of Nose Tips Includes Bonus Manual Snot Sucker for Newborns and Toddlers (Limited Edition)], Amazon.de, Date First Available: Mar. 10, 2021 [online], Customer Review Oldest Date: Jun. 12, 2018 [online], site visited: [Mar. 3, 2022], URL: <https://www.amazon.de/dp/B01962MDHA/>. (Year: 2021).\*

(21) Appl. No.: **29/786,251**

(Continued)

(22) Filed: **May 30, 2021**

(51) **LOC (13) Cl.** ..... **24-01**

(52) **U.S. Cl.**

USPC ..... **D24/108**

(58) **Field of Classification Search**

USPC ..... D24/108, 111–115, 117, 121, 133, 152, D24/176, 214–215, 222

CPC ..... A61M 2210/0618; A61M 1/0023; A61M 1/0003; A61M 15/0098; A61B 2017/246

See application file for complete search history.

*Primary Examiner* — Jonathan J Han

*Assistant Examiner* — Amanda J Berlinski

(74) *Attorney, Agent, or Firm* — Dragon Sun Law Firm, PC; Jinggao Li, Esq.; Nathaniel Perkins

(56) **References Cited**

U.S. PATENT DOCUMENTS

D594,968 S 6/2009 Sebban  
D739,930 S \* 9/2015 Takenouchi ..... D24/111  
D828,192 S \* 9/2018 Fornoff ..... G06V 10/17  
D10/81  
D838,860 S \* 1/2019 Lee ..... D24/214  
D849,229 S \* 5/2019 Jiang ..... D24/108  
D859,681 S \* 9/2019 Tang ..... D24/214  
D862,717 S \* 10/2019 Khubani ..... D24/200  
D883,470 S \* 5/2020 Wei ..... D24/108  
D906,530 S \* 12/2020 Liu ..... D24/214  
D909,563 S \* 2/2021 Hou ..... D24/108  
D909,583 S \* 2/2021 Kim ..... D24/164  
D914,898 S \* 3/2021 Britt ..... D24/214  
D916,288 S \* 4/2021 Hansen ..... D24/152  
D927,010 S \* 8/2021 He ..... D24/215  
D942,030 S \* 1/2022 Wang ..... D24/214

(Continued)

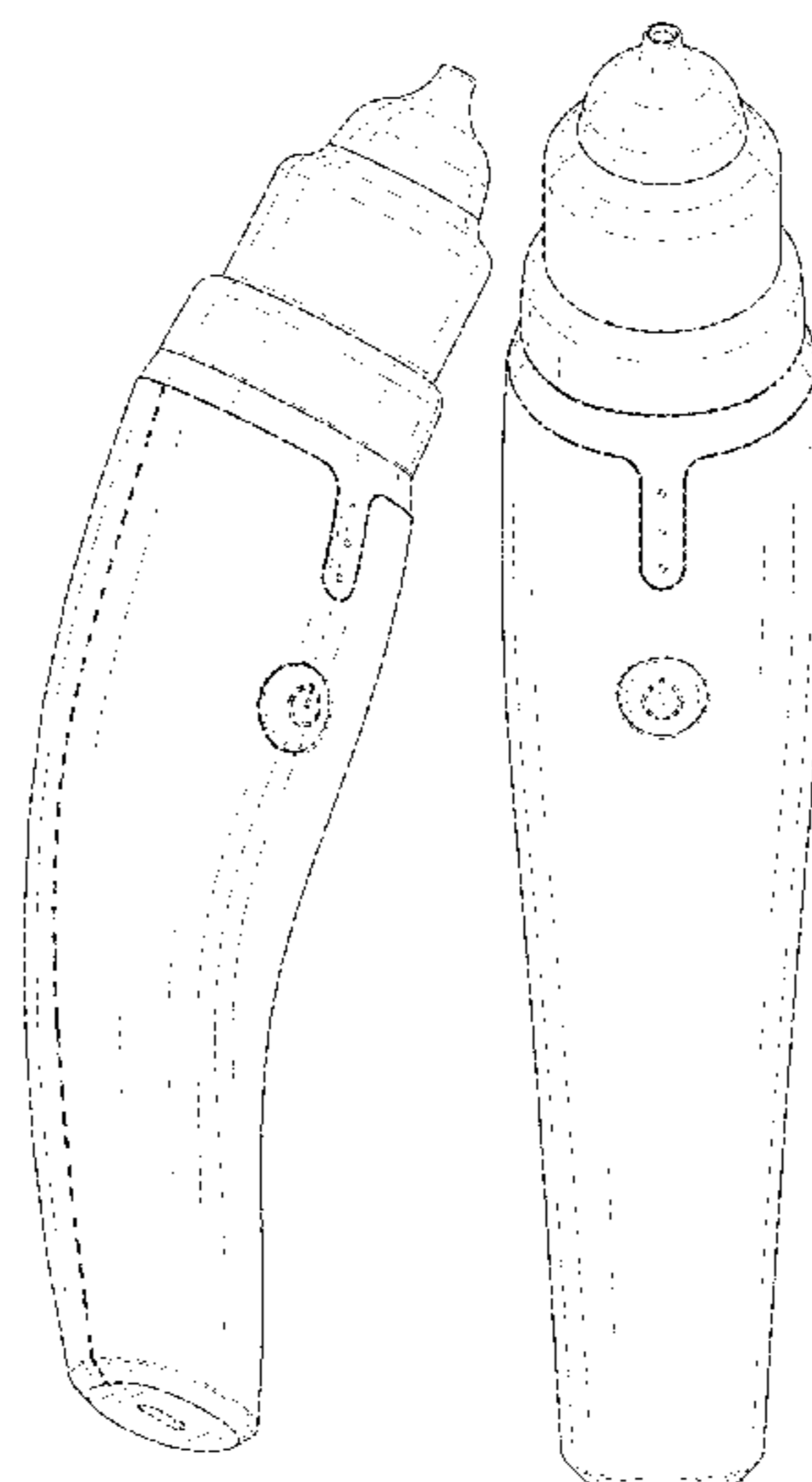
(57) **CLAIM**

The ornamental design for a nasal aspirator, as shown and described.

**DESCRIPTION**

FIG. 1 is a perspective view of a nasal aspirator showing my new design;  
FIG. 2 is a front elevation view thereof;  
FIG. 3 is a rear elevation view thereof;  
FIG. 4 is a left elevation view thereof;  
FIG. 5 is a right elevation view thereof;  
FIG. 6 is an enlarged top plan view thereof; and,  
FIG. 7 is an enlarged bottom plan view thereof.  
The broken lines shown in the figures depict portions of the nasal aspirator that form no part of the claimed design.

**1 Claim, 7 Drawing Sheets**



(56)

**References Cited**

U.S. PATENT DOCUMENTS

2012/0031401 A1\* 2/2012 Berger ..... B65D 81/30  
206/524.1  
2013/0072755 A1\* 3/2013 Papania ..... A61M 15/0098  
600/249  
2016/0302972 A1\* 10/2016 Connelly ..... A61F 11/00  
2020/0179220 A1\* 6/2020 Jablow ..... A61H 1/00  
2021/0038777 A1\* 2/2021 Chen ..... G06V 10/17  
2022/0143294 A1\* 5/2022 Wei ..... A61M 1/76

FOREIGN PATENT DOCUMENTS

CN 305940609 S 7/2020  
EM 007134168-0002 11/2019  
GB 6106127 \* 11/2020

OTHER PUBLICATIONS

[Haakaa Baby Nasensauger—Elektrischer Nasensauger für Baby Nase reinigen Schleimentferner mit 3 verstellbaren Saug-Saugnapf mit 2 Silikonspitzen für Babys & Kleinkinder], Amazon.de, Date First Available: Apr. 3, 2021 [online], Customer Review Oldest Date: Feb. 7, 2021 [online], site visited: [Mar. 3, 2022], URL: <<https://www.amazon.de/dp/B08HV2HTMZ>>. (Year: 2021).\*

\* cited by examiner

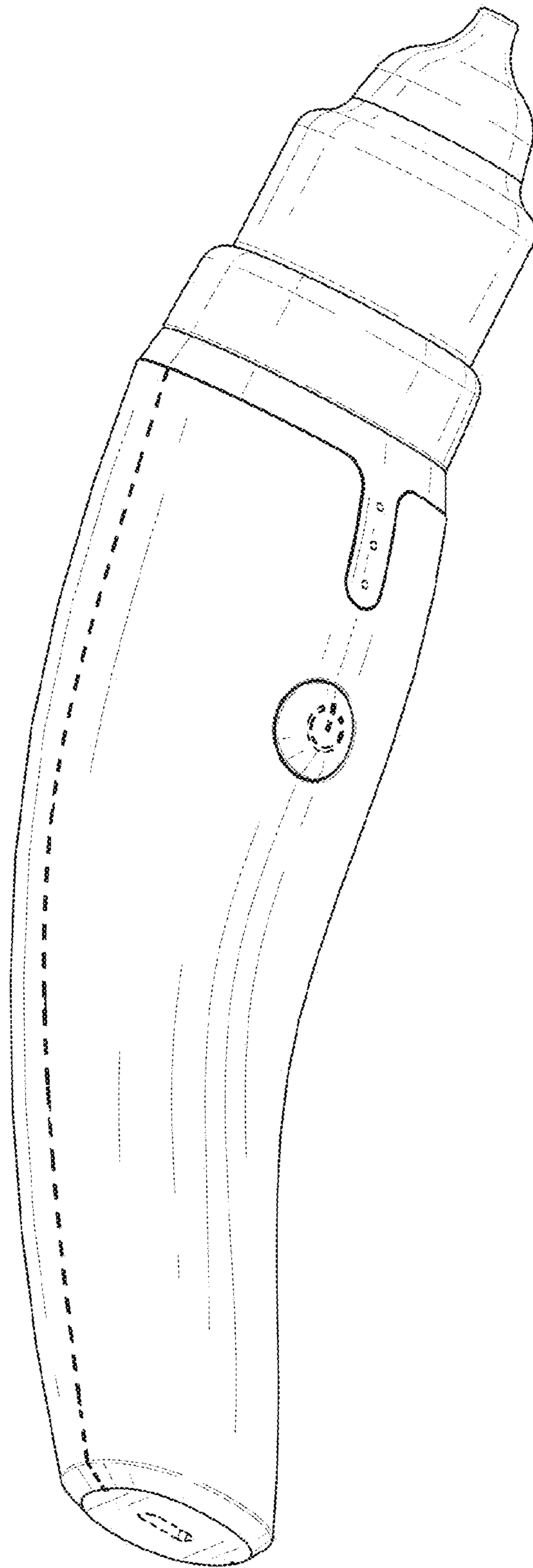


FIG. 1

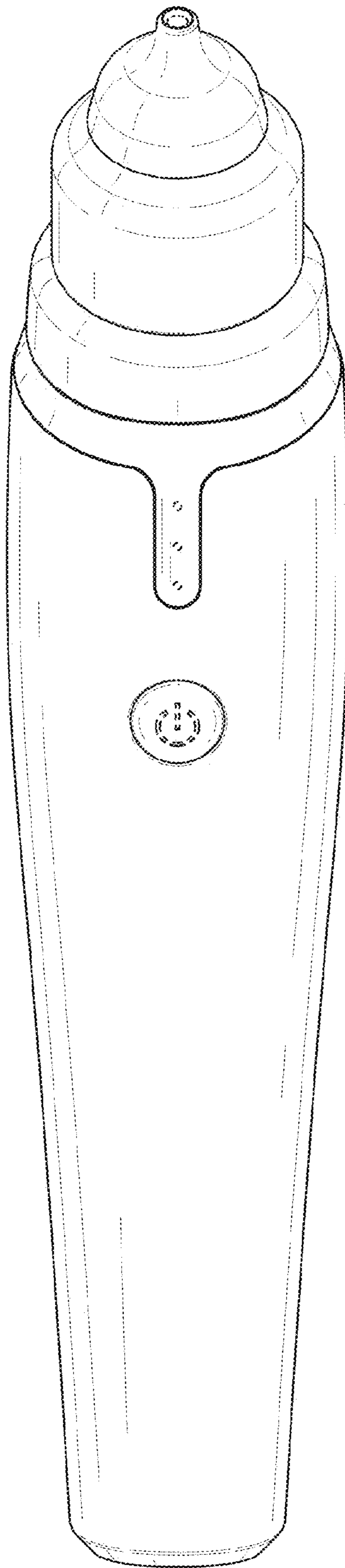


FIG.2

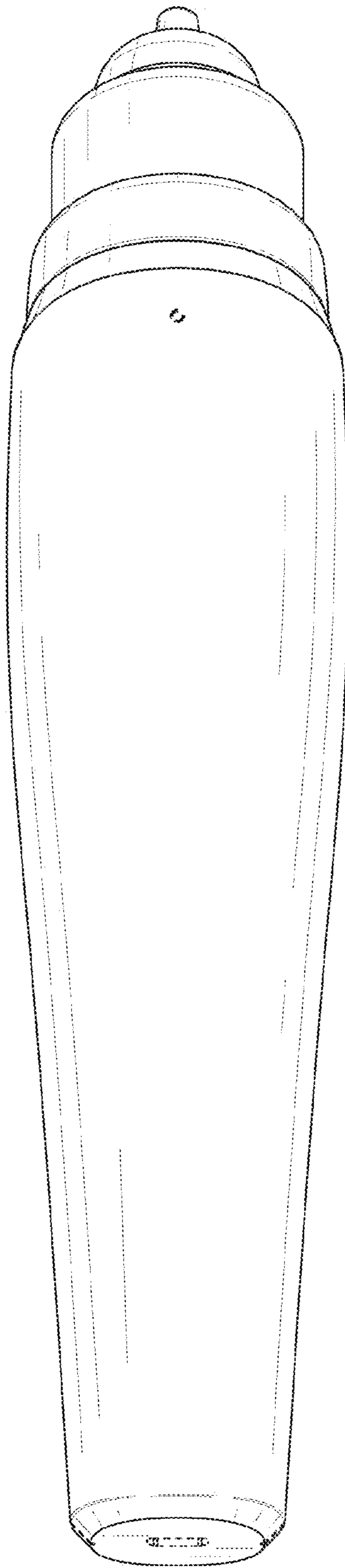


FIG.3

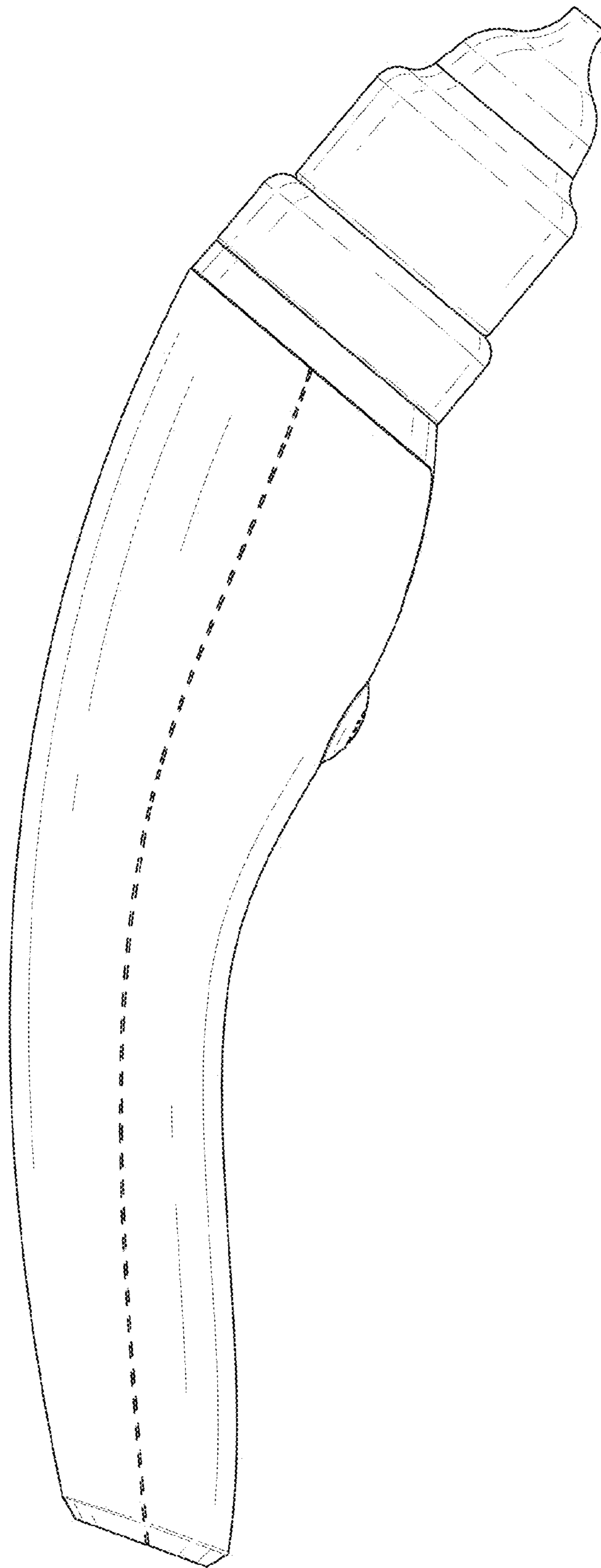


FIG.4

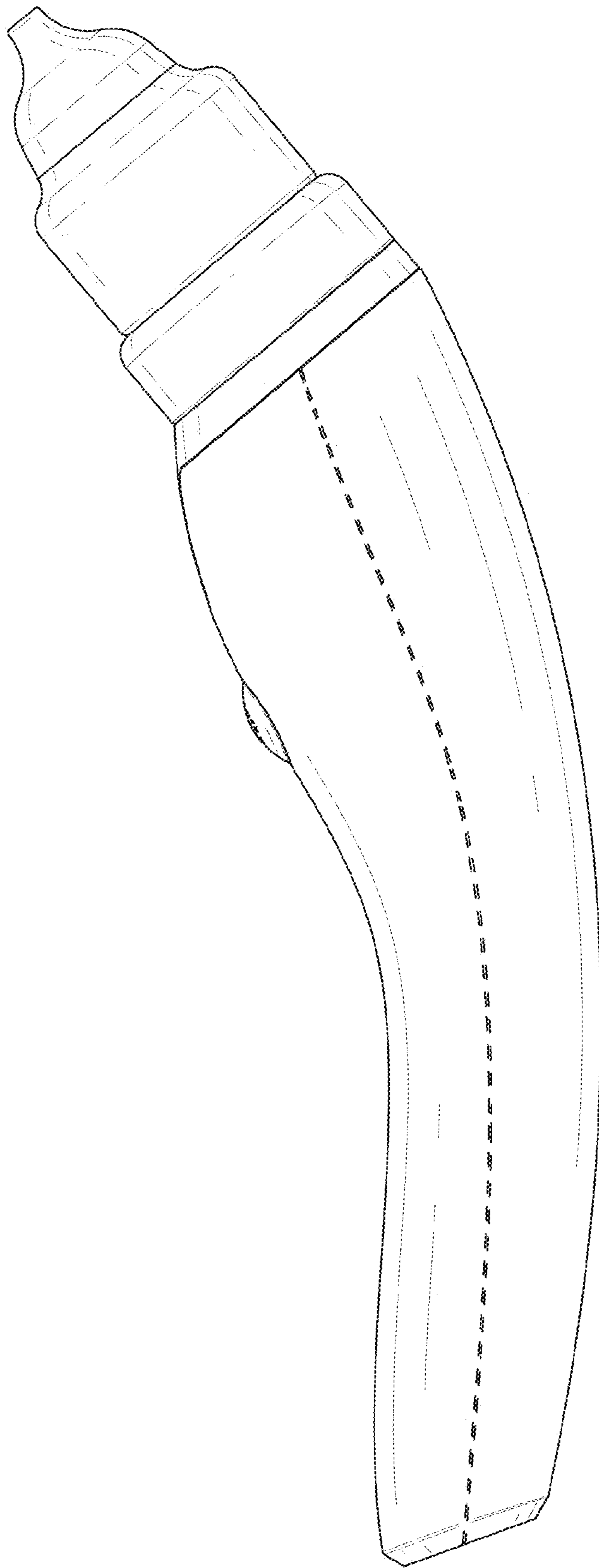


FIG.5

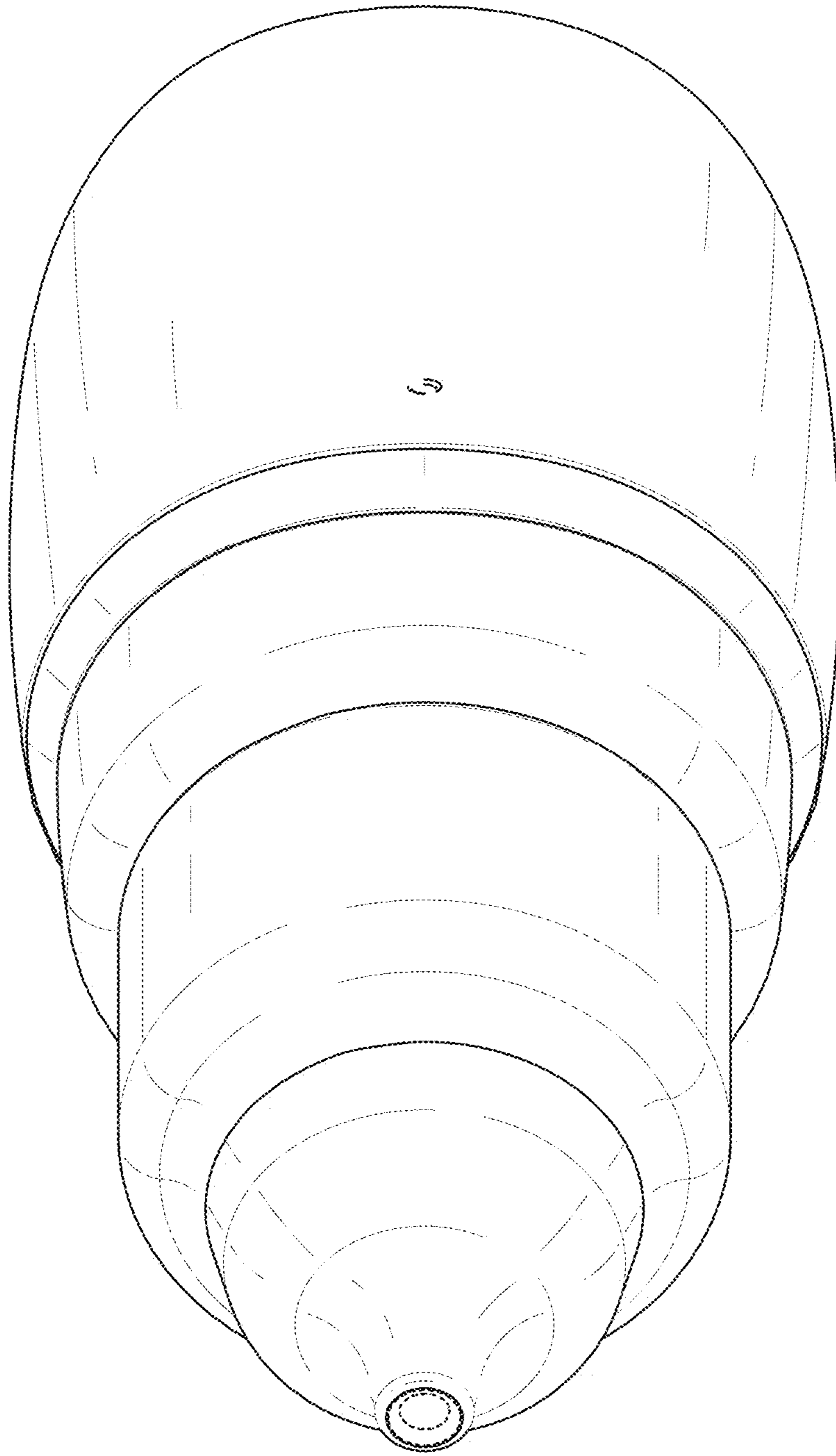


FIG.6



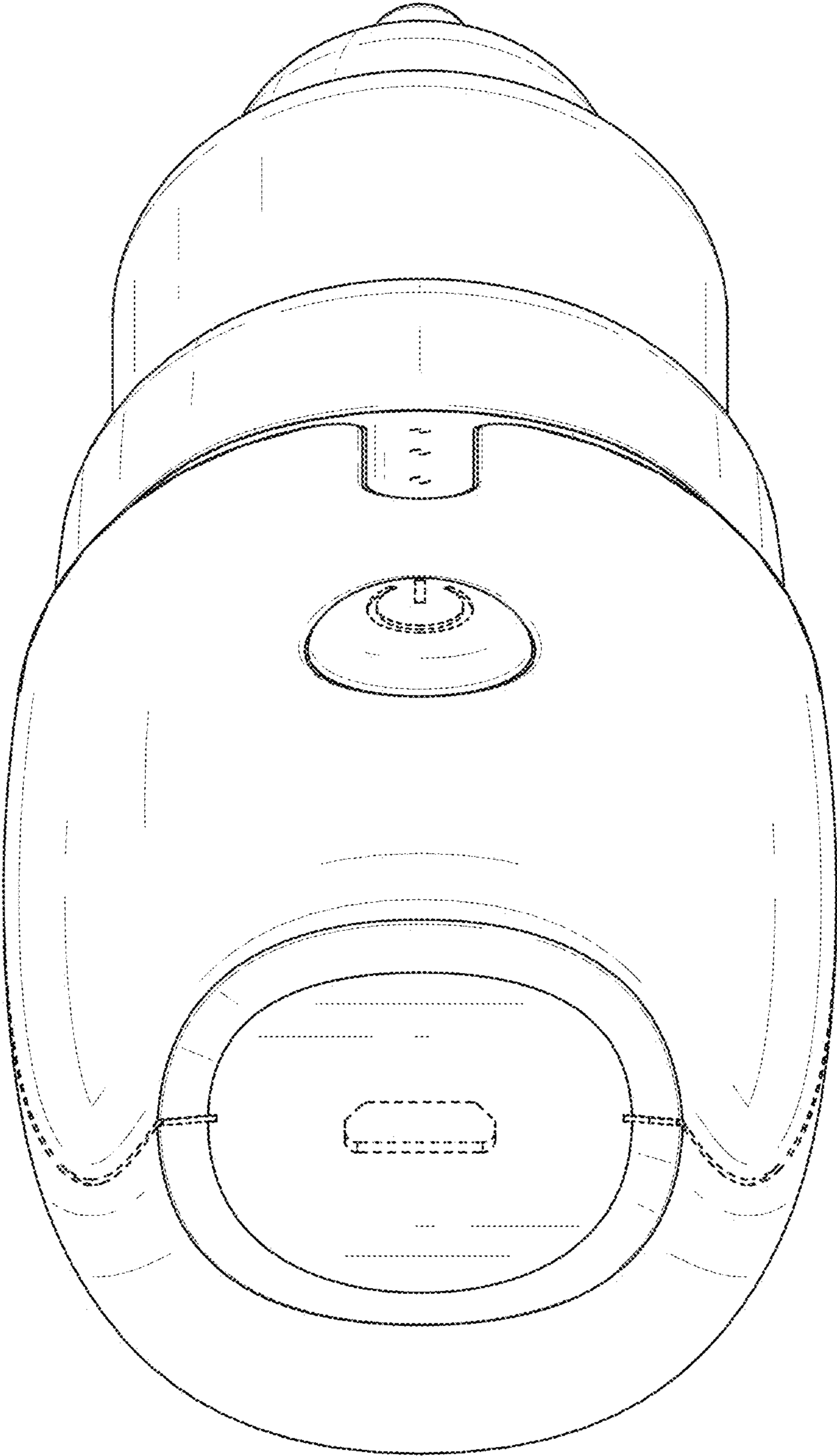


FIG.7