



US00D965763S

(12) **United States Design Patent**  
**Staszak et al.**

(10) **Patent No.:** **US D965,763 S**

(45) **Date of Patent:** **\*\* Oct. 4, 2022**

(54) **PORTABLE BLOWER FAN DEVICE**

(71) Applicant: **THERMA-STOR LLC**, Madison, WI (US)

(72) Inventors: **Jeffrey R. Staszak**, Deerfield, WI (US); **Kevin Lawrence Askling**, Madison, WI (US); **Todd R. DeMonte**, Cottage Grove, WI (US); **Todd Brunner**, Madison, WI (US); **Matthew J. Poster**, Madison, WI (US); **Jenee LaPlace Mobley**, Fuquay Varina, NC (US); **David Treleven**, Raleigh, NC (US); **Xueqiao Wang**, Foshan (CN); **Laurence A. Carlson**, Stoughton, WI (US)

(73) Assignee: **THERMA-STOR LLC**, Madison, WI (US)

(\*\*) Term: **15 Years**

(21) Appl. No.: **29/753,804**

(22) Filed: **Oct. 2, 2020**

(51) **LOC (13) Cl.** ..... **23-04**

(52) **U.S. Cl.**  
USPC ..... **D23/380**; D23/381; D23/383

(58) **Field of Classification Search**  
USPC ..... D23/370, 371, 373, 374, 379, 380–383, D23/411–412, 332–335, 351–352  
CPC .. F04D 25/0693; F04D 19/002; F04D 29/646; F04D 29/522; F04D 29/667; F04D 19/007

See application file for complete search history.

(56) **References Cited**

**U.S. PATENT DOCUMENTS**

D327,946 S \* 7/1992 Barre ..... D23/370  
D397,200 S \* 8/1998 Wang ..... D23/370

D425,979 S \* 5/2000 Lozzio ..... D23/370  
D438,299 S \* 2/2001 Gonzales ..... D23/380  
D482,771 S \* 11/2003 Johnson ..... D23/380  
D503,975 S \* 4/2005 Jones ..... D23/370  
D910,560 S \* 2/2021 Inskeep ..... D13/110  
D922,556 S \* 6/2021 Stearns ..... D23/359  
2022/0106962 A1 \* 4/2022 Staszak ..... F04D 25/166

\* cited by examiner

*Primary Examiner* — Sharon S Oum

(74) *Attorney, Agent, or Firm* — Baker Botts, LLP

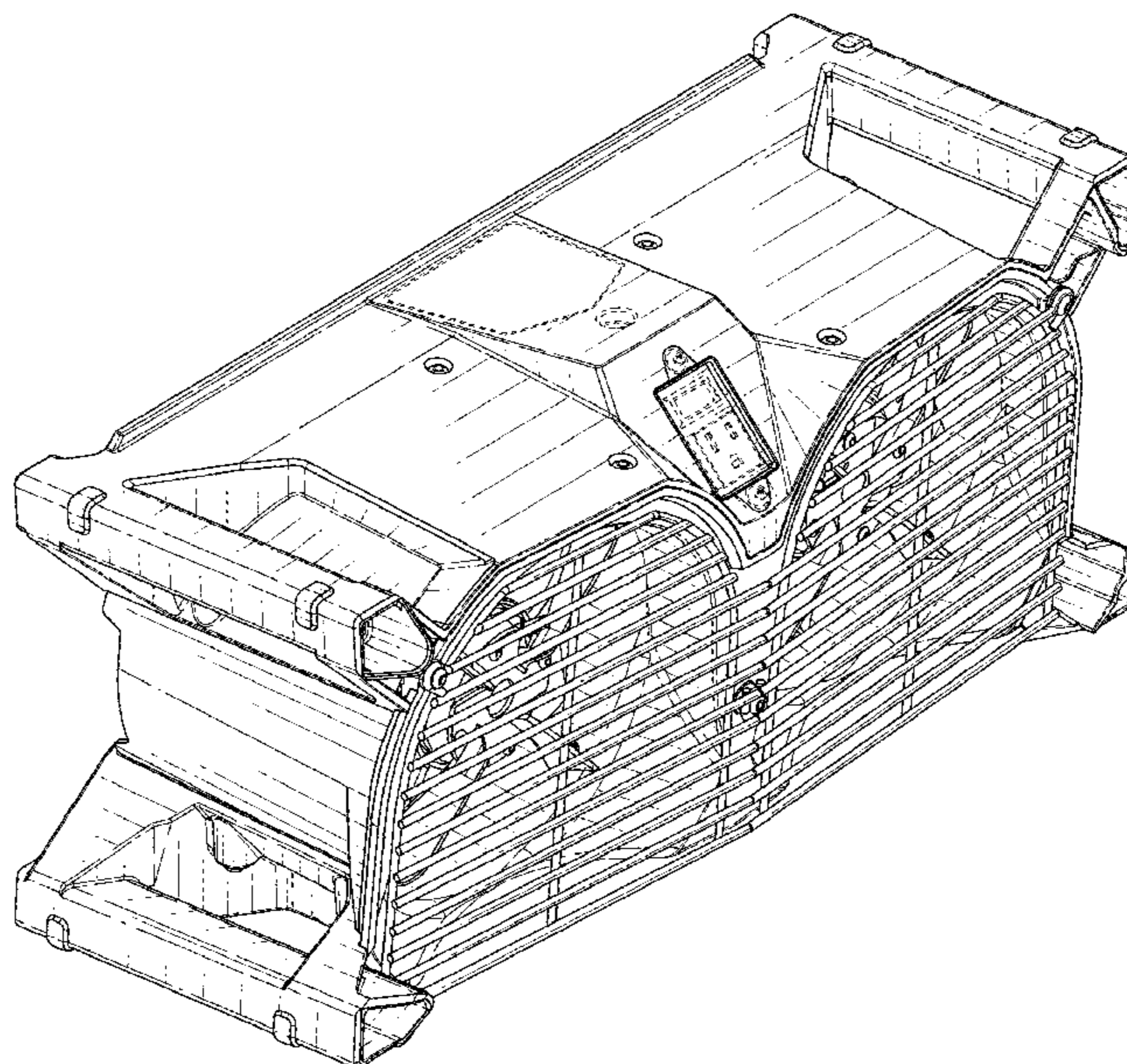
(57) **CLAIM**

The ornamental design for a portable blower fan device, as shown and described.

**DESCRIPTION**

FIG. 1 is a front view of the device;  
FIG. 2 is a back view of the device;  
FIG. 3 is a top view of the device;  
FIG. 4 is a bottom view of the device;  
FIG. 5 is a side view of the device;  
FIG. 6 is another side view of the device.  
FIG. 7 is a perspective view of the device;  
FIG. 8 is another perspective view of the device;  
FIG. 9 is another perspective view of the device;  
FIG. 10 is another perspective view of the device;  
FIG. 11 is another perspective view of one embodiment of the device;  
FIG. 12 is another perspective view of the device;  
FIG. 13 is another perspective view of the device; and,  
FIG. 14 is another perspective view of the device.  
The broken lines in the drawings of the portable blower fan device are for showing portions of the article and form no part of the claimed design.

**1 Claim, 11 Drawing Sheets**



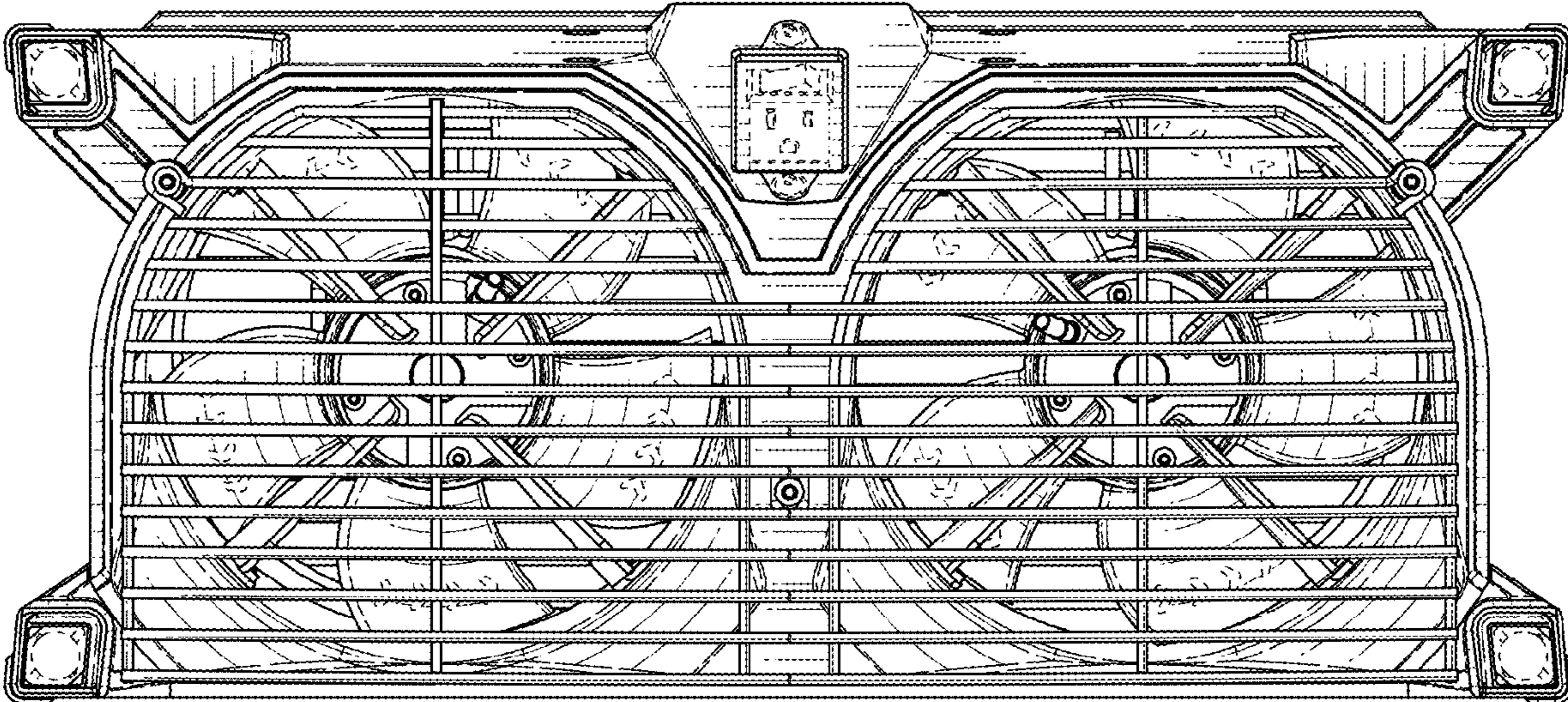


FIG. 1

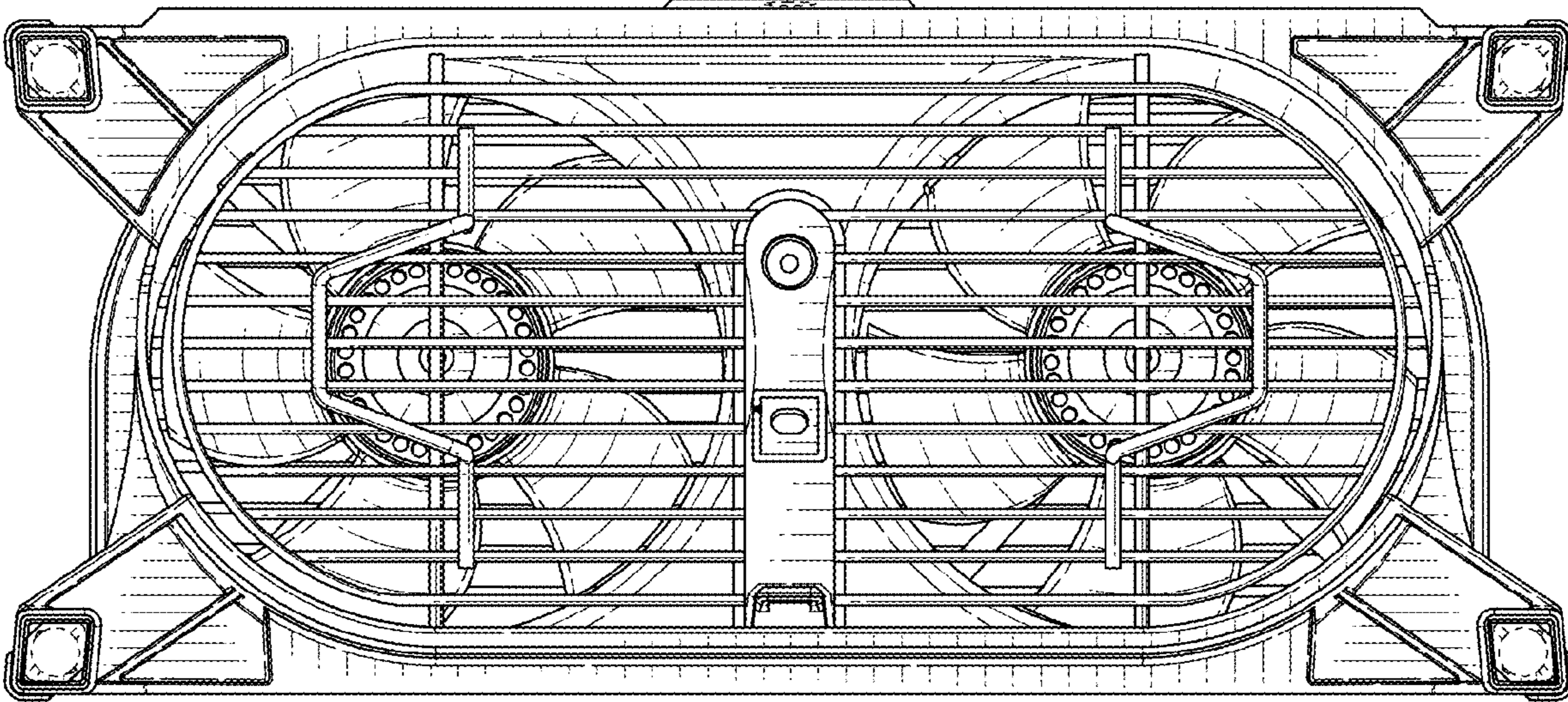


FIG. 2

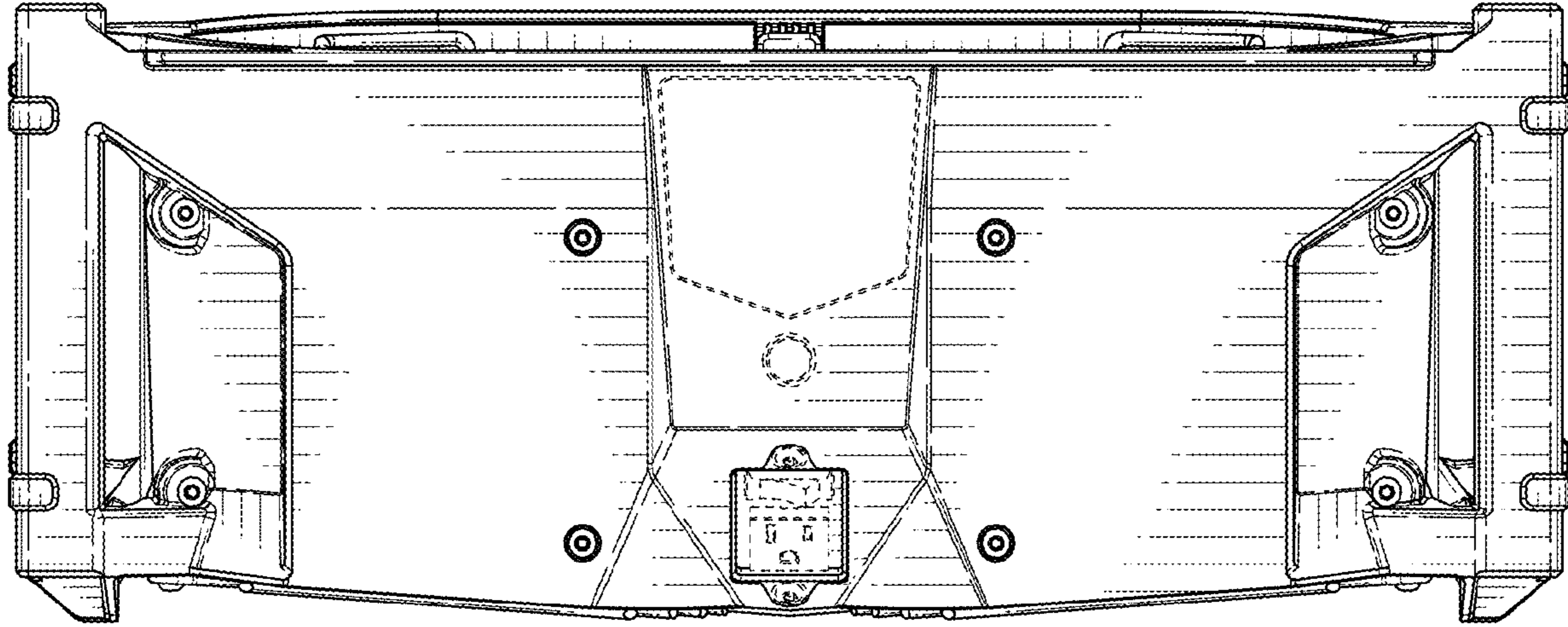


FIG. 3

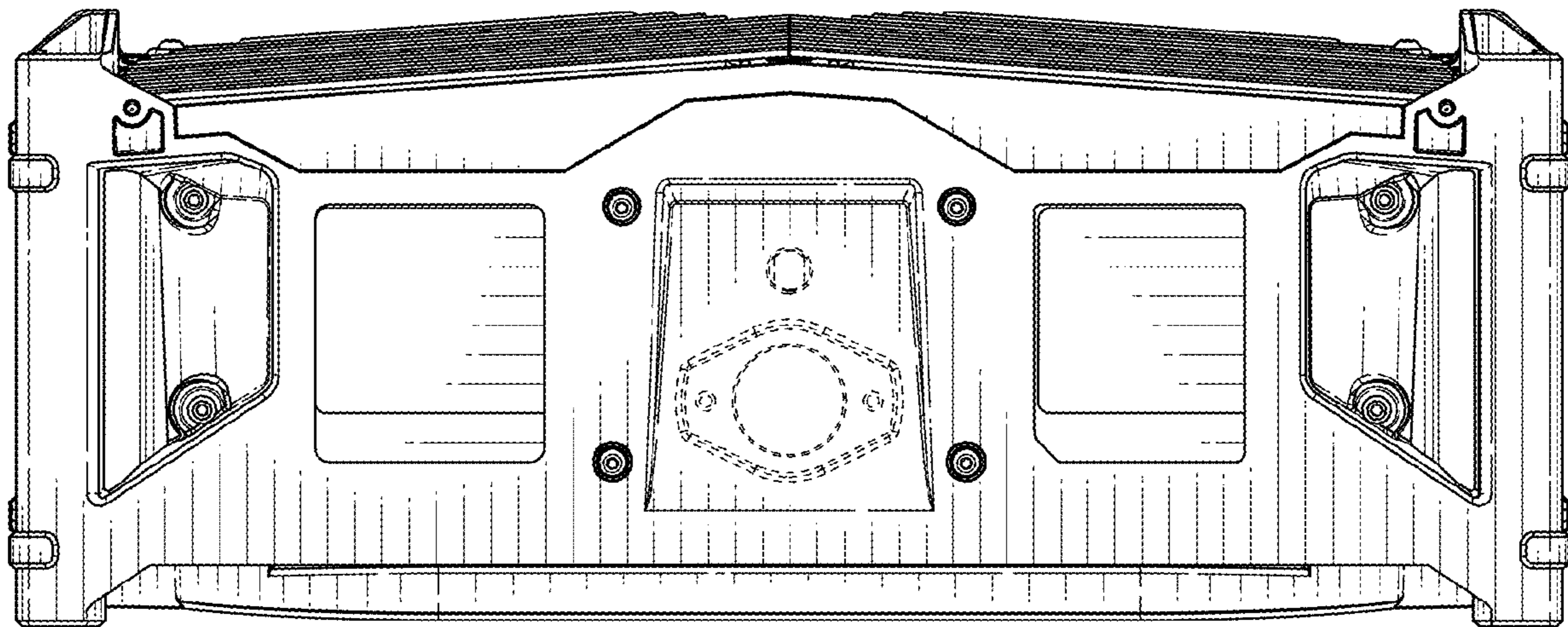


FIG. 4

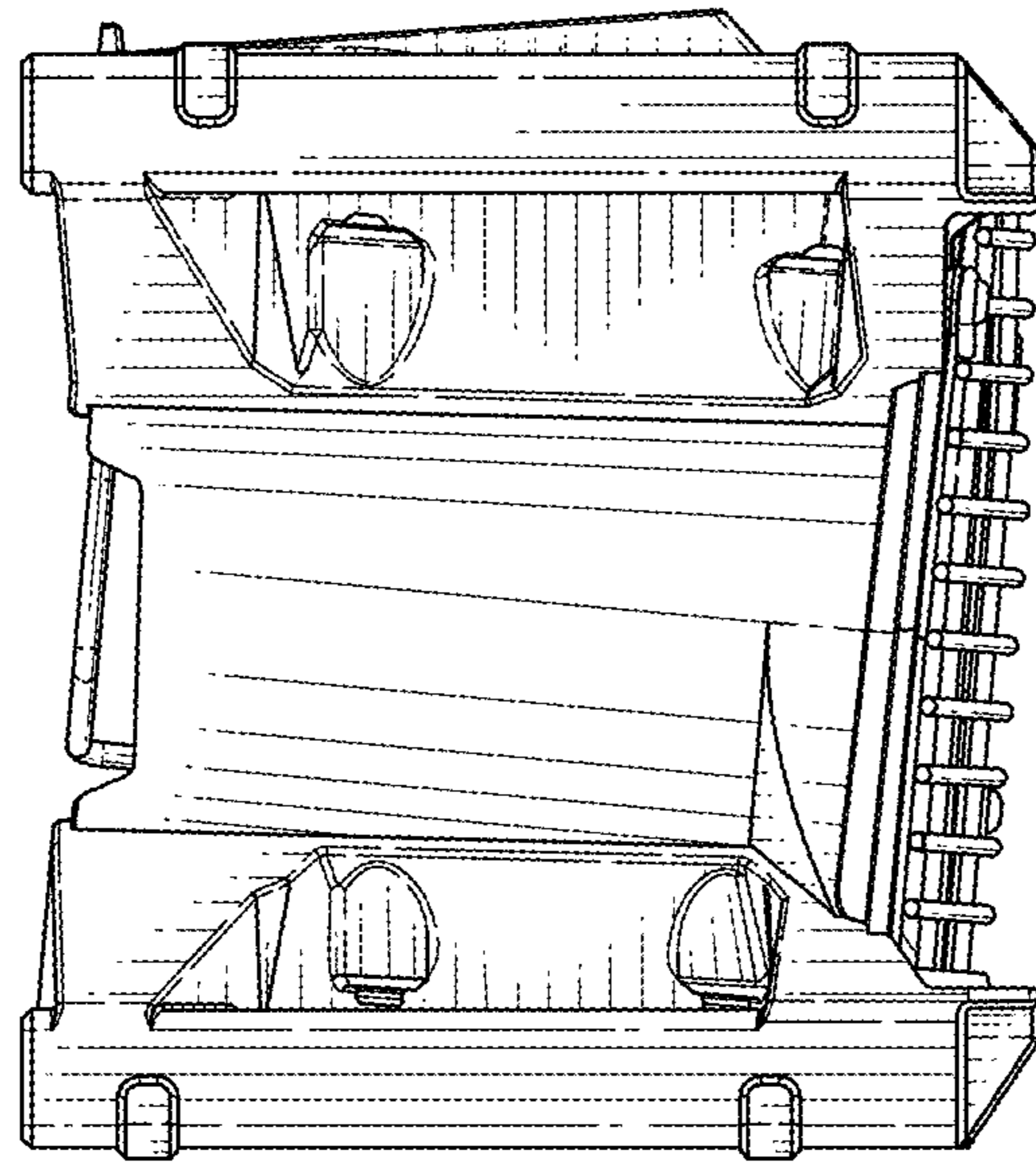


FIG. 5

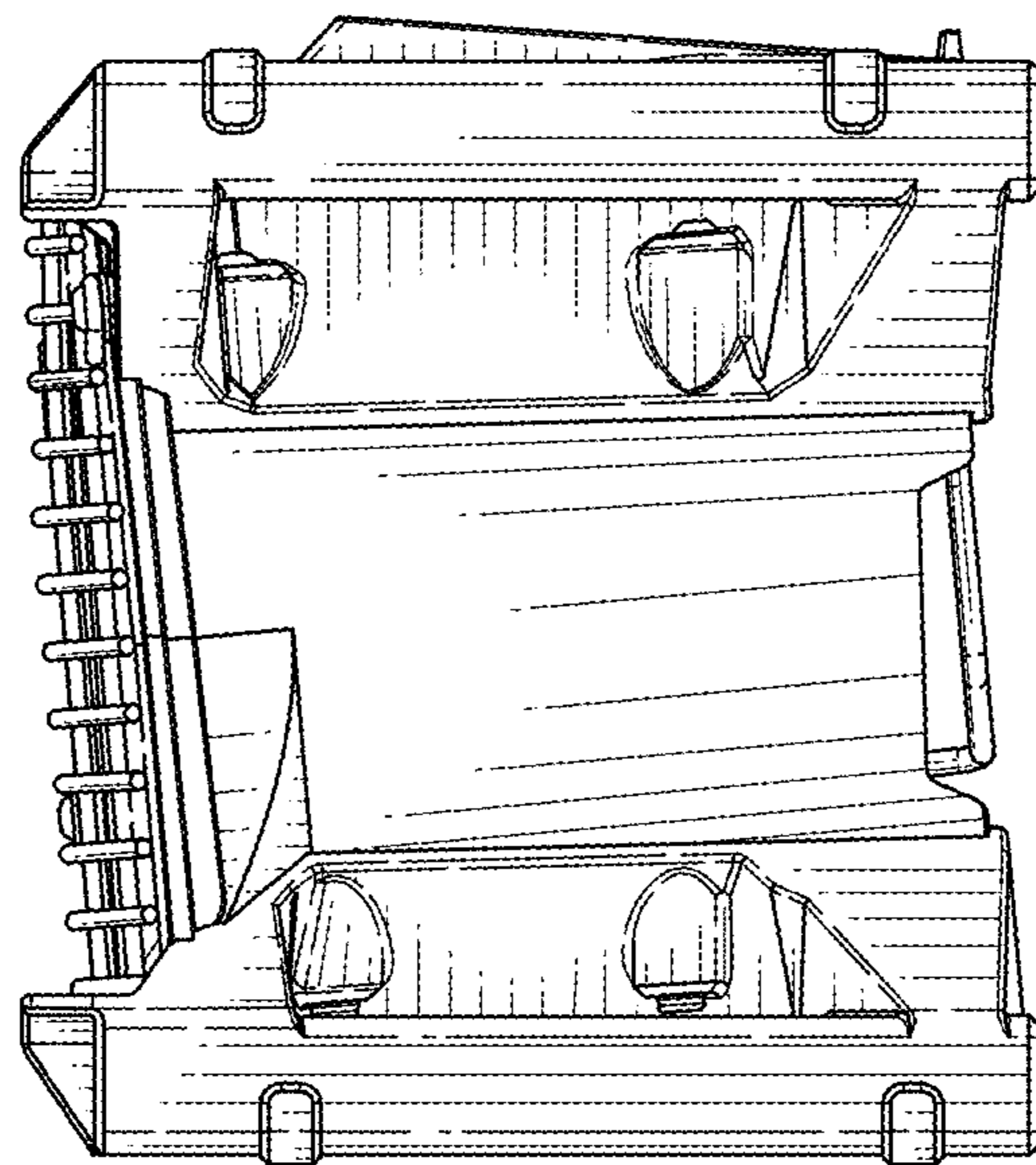


FIG. 6

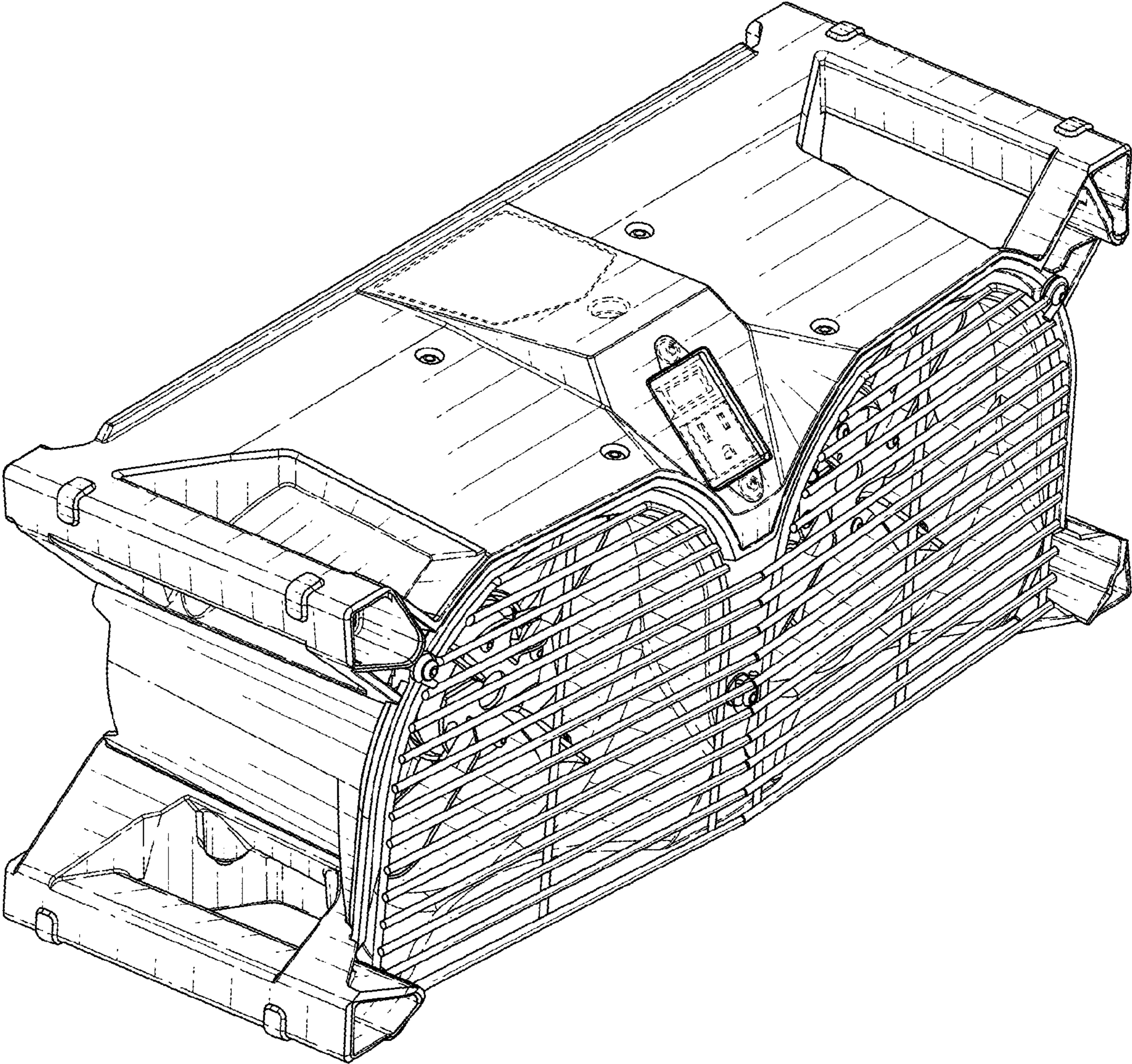


FIG. 7

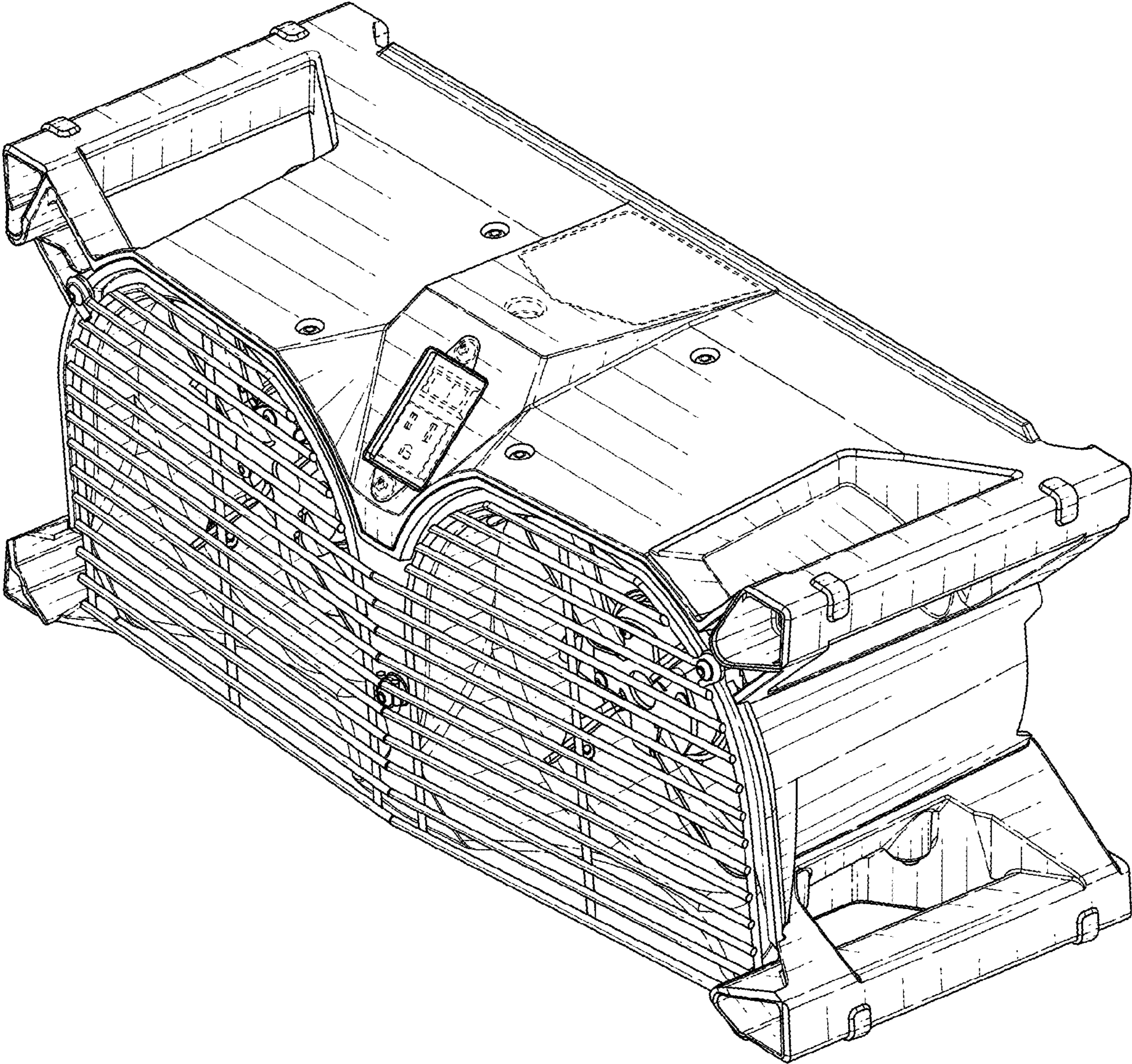


FIG. 8

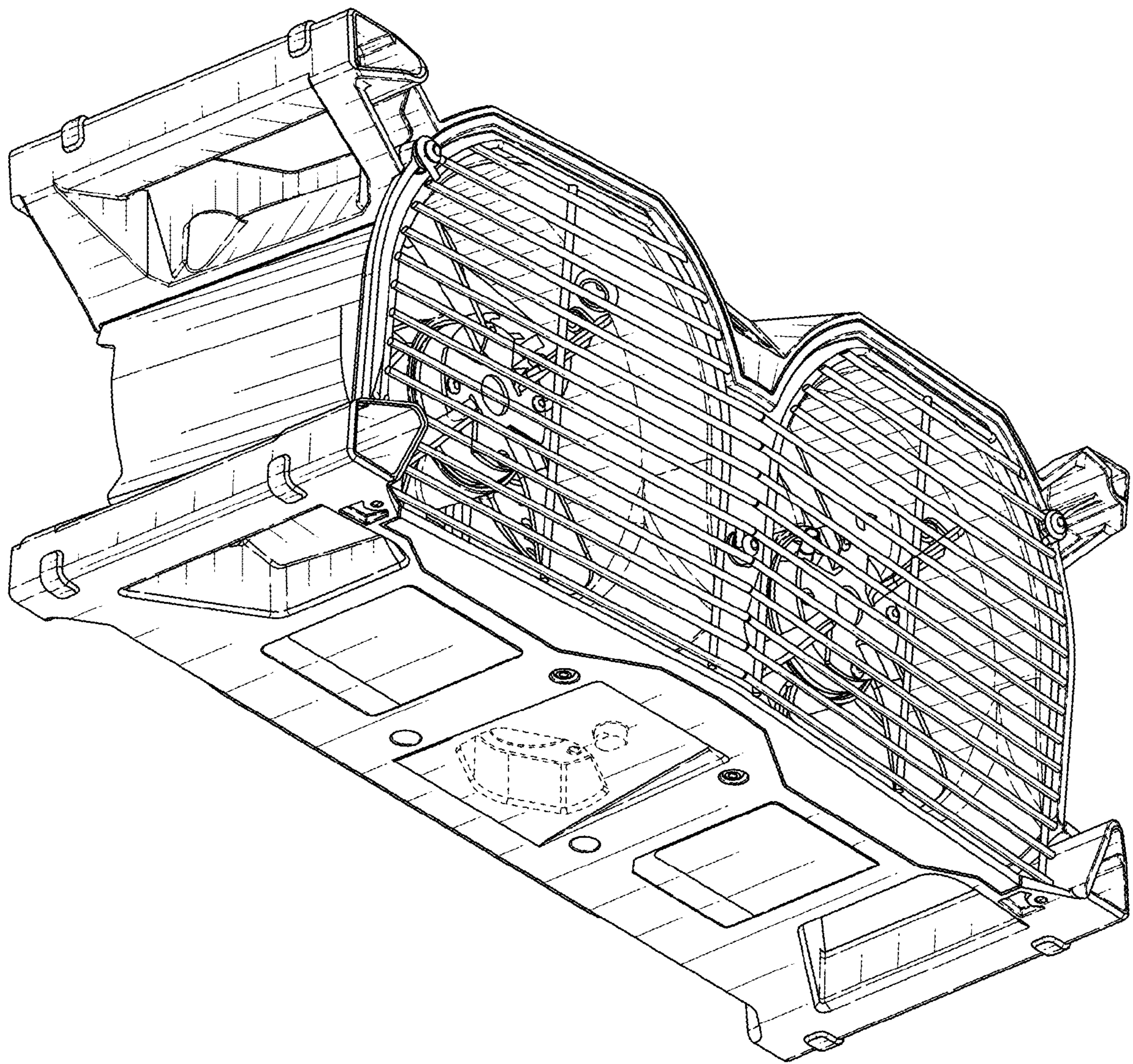


FIG. 9

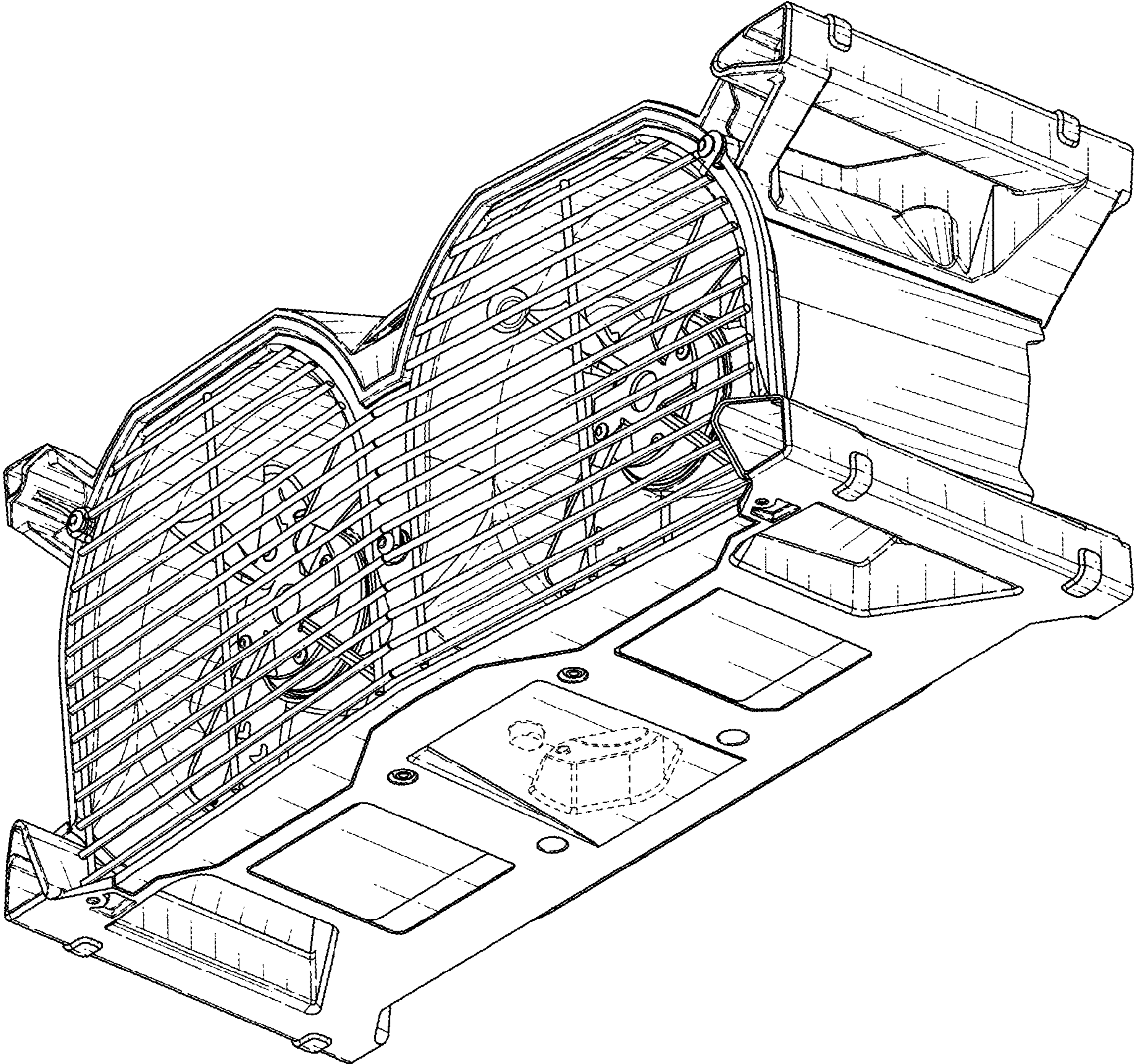


FIG. 10



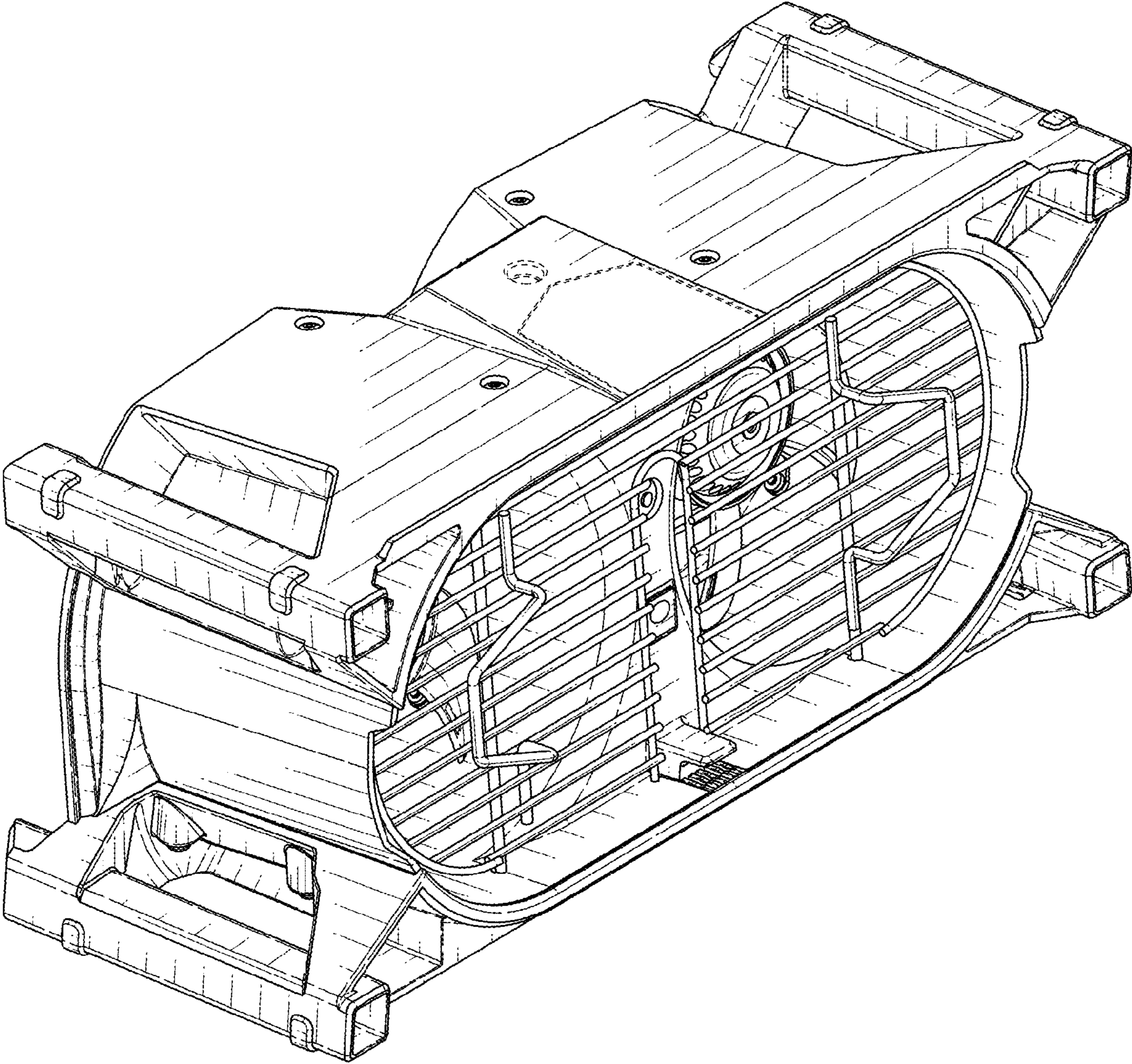


FIG. 11

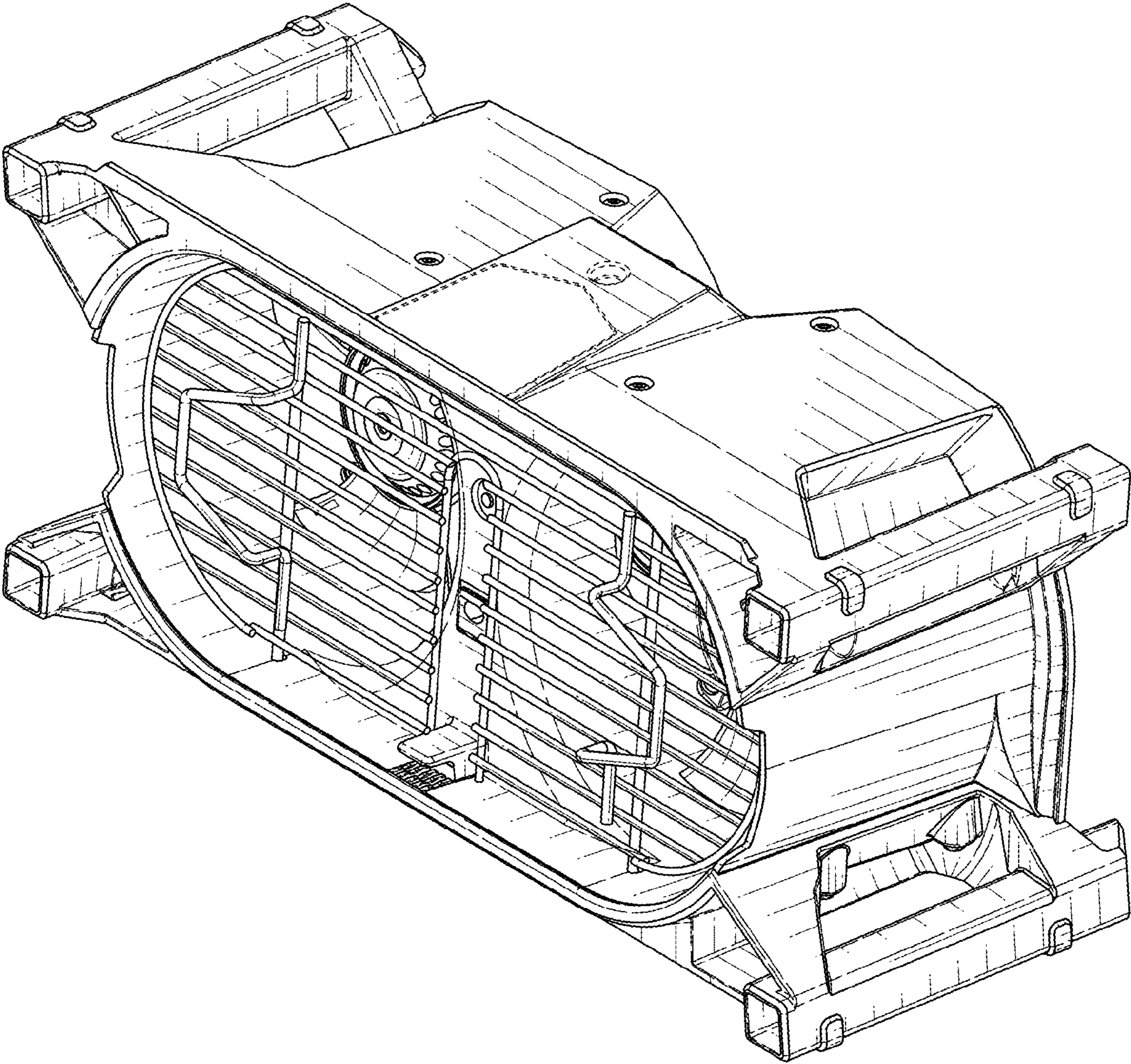


FIG. 12

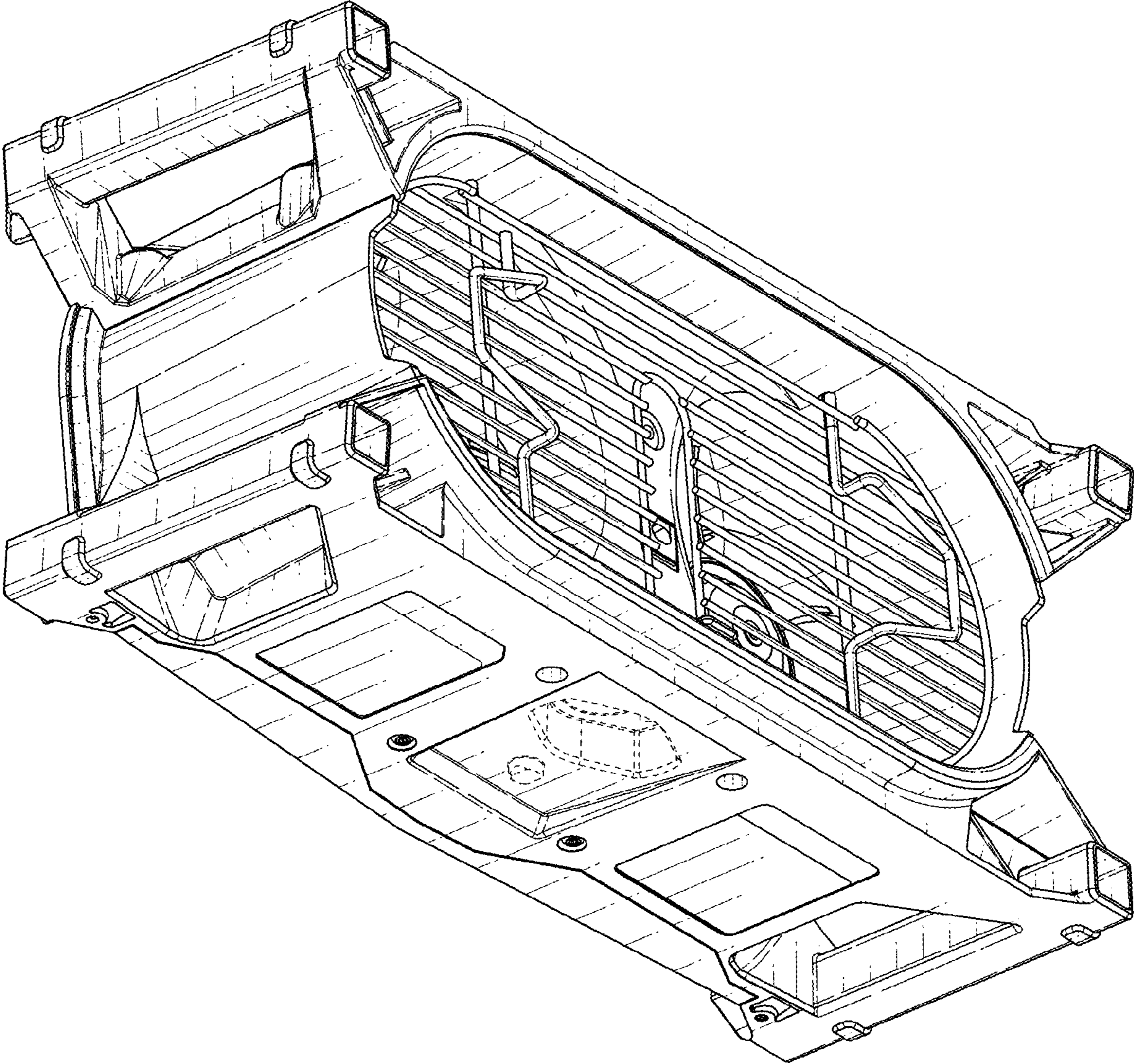


FIG. 13

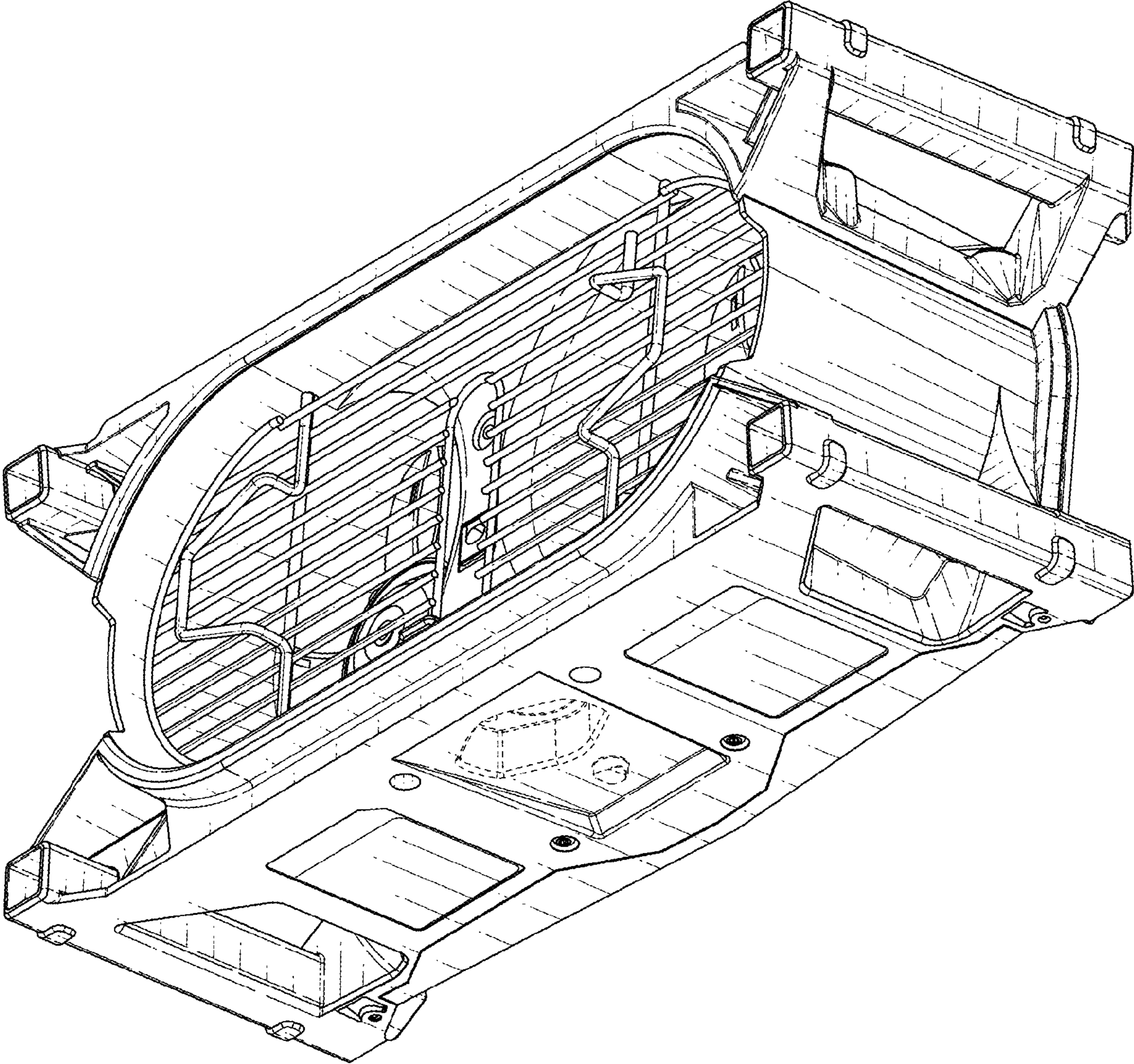


FIG. 14