

US00D965762S

(12) **United States Design Patent** (10) **Patent No.:** **US D965,762 S**
Lintner (45) **Date of Patent:** **** Oct. 4, 2022**

(54) **CEILING FAN**
(71) Applicant: **HUNTER FAN COMPANY,**
Memphis, TN (US)
(72) Inventor: **Brian Earl Lintner,** Winnetka, IL (US)
(73) Assignee: **Hunter Fan Company,** Memphis, TN
(US)

D850,605 S 6/2019 Ertze
D873,985 S * 1/2020 Wang D23/377
D877,881 S * 3/2020 Hidalgo D26/59
D879,936 S * 3/2020 Schulzman D23/385
D885,551 S * 5/2020 McRoberts D23/377
D942,607 S * 2/2022 Eiffert D23/377
D943,078 S * 2/2022 Holmes Bradley D23/377
2020/0224671 A1 * 7/2020 Norwood F04D 25/088
2021/0199131 A1 * 7/2021 Botkin F04D 25/088

(**) Term: **15 Years**

(21) Appl. No.: **29/752,861**

(22) Filed: **Sep. 29, 2020**

(51) **LOC (13) Cl.** **23-04**

(52) **U.S. Cl.**
USPC **D23/377**

(58) **Field of Classification Search**
USPC D23/370, 377, 379, 381–382, 385,
D23/411–414; D26/59
CPC F04D 25/088; F04D 29/38; F04D 29/384;
F04D 29/386; F21V 33/0096
See application file for complete search history.

(56) **References Cited**

U.S. PATENT DOCUMENTS

RE18,960 E * 10/1933 Dauman D26/88
D270,942 S * 10/1983 McCain D23/379
D328,638 S * 8/1992 Hsieh D26/85
D346,858 S * 5/1994 Lee D23/385
D393,902 S * 4/1998 Pickett D23/385
D396,530 S * 7/1998 Tai D23/385
D421,797 S * 3/2000 Collmar D23/385
D744,629 S * 12/2015 Wang D26/59
D744,633 S * 12/2015 Wang D26/59
D774,176 S * 12/2016 Wang D23/385
D785,156 S * 4/2017 Wang D23/377
D796,660 S * 9/2017 Schulzman D26/59
D833,593 S 11/2018 Hidalgo
D833,596 S * 11/2018 Schulzman D23/377

OTHER PUBLICATIONS

<https://www.minkagroup.net/indoor/?page=4>, Minka Raptor LED 60" Ceiling Fan, Model No. F617L-GM, accessed May 12, 2020.

(Continued)

Primary Examiner — Sharon S Oum
(74) *Attorney, Agent, or Firm* — McGarry Bair PC

(57) **CLAIM**

The ornamental design for a ceiling fan, as shown and described.

DESCRIPTION

FIG. 1 is a top perspective view of a ceiling fan, showing my new design.

FIG. 2 is a bottom perspective view thereof;

FIG. 3 is a top view thereof;

FIG. 4 is a bottom view thereof;

FIG. 5 is a front view thereof;

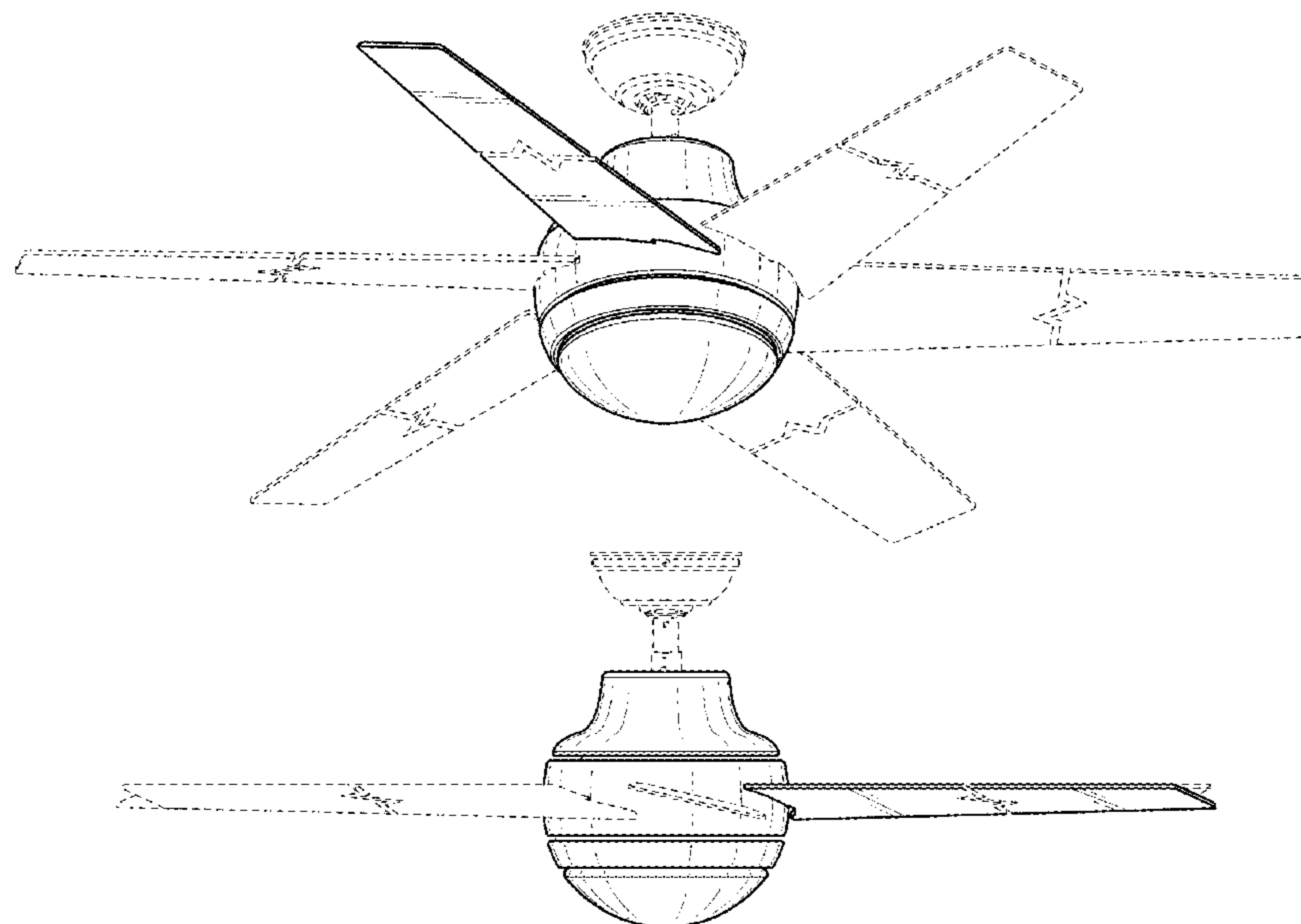
FIG. 6 is a rear view thereof;

FIG. 7 is a right-side view thereof; and,

FIG. 8 is a left-side view thereof.

Portions of the ceiling fan are shown in broken lines, which form no part of the claimed design. The ceiling fan blades are shown with a symbolic break in their length. The appearance of any portion of the ceiling fan blades between the break lines forms no part of the claimed design.

1 Claim, 8 Drawing Sheets



(56)

References Cited

OTHER PUBLICATIONS

<https://www.hunterfan.com/collections/ceiling-fans/products/ceiling-fans-sonic-with-light-52-inch-fam332>. Hunter Fan Sonic 52 Inch Ceiling Fan with Light, Item No. 59072. accessed May 12, 2020.

<https://www.crompton.co.in/product/consumer-fans/ceiling-fans/trigger-glow/>, Crompton Trigger Glow Ceiling Fan, 5 LED Light changing Color Options and Remote, accessed May 12, 2020.

<https://www.luminancebrands.com/fans/cf244/ww.html>, Emerson 44 in. Curva LED Indoor/Outdoor Ceiling Fan, Model No. CF244LWW, accessed May 12, 2020.

<https://fanimation.com/products/fans/indoor/aire-drop/>, Fanimation Aire Drop Indoor Ceiling Fan with Light and Remote, SKU No. LP8068, accessed May 12, 2020.

<https://www.luminancebrands.com/fans/cf955lbs.html>, Emerson Midway ECO LED Ceiling Fan, Model No. CF955LBS, accessed May 12, 2020.

<https://www.lowes.com/pd/Harbor-Breeze-Beach-Creek-44-in-Brushed-Nickel-LED-Indoor-Ceiling-Fan-with-Light-Kit-and-Remote-3-Blade/1000181467>, Harbor Breeze Beach Creek 44-in. Brushed Nickel LED Indoor Ceiling Fan with Light Kit and Remote, Model No. TG44BNK3D1RC, accessed May 12, 2020.

<https://www.craftmade.com/phaze-5-blade-pha52xx5>, Craftmade Phaze 52" 5 Blades Ceiling Fan and LED Lighting, Model No. PHA52BNK5, accessed May 12, 2020.

<https://www.hunterpacificinternational.com/azure>, Hunter Pacific International Azure Indoor Ceiling Fan, 48" New Zealand Timber Blades, LED Light Kit, accessed May 12, 2020.

<http://kingoffans.com/#/products/ceilingFans>, King of Fans Carousel III, White Ceiling Fan with 5 reversible blades in pink and blue with frosted light, Model No. 46750, accessed May 12, 2020.

<http://www.montecarlofans.com/58879/44-Discus-Classic-White-5DIC44WHD-V1.html>, Monte Carlo Discus Classic II 44 inch Ceiling Fan, Product No. 5DIC44WHD-V1, accessed May 12, 2020.

<https://www.homedepot.com/p/Hampton-Bay-Northport-52-in-Indoor-Brushed-Nickel-Ceiling-Fan-with-Light-Kit-14926/202790687>, Hampton Bay Northport 52" Indoor Brushed Nickel Ceiling Fan with Light Kit, Model No. 14926, accessed May 12, 2020.

<https://www.minkagroup.net/f623l-whf-bn.html>, Minka Orb LED 54" Ceiling Fan in Flat White, Brushed Nickel and Etched Opal Glass, Model No. F623L-WHF/BN, accessed May 12, 2020.

<https://www.luminancebrands.com/fans/cf235sw.html>, Emerson Astor Ceiling Fan, Satin White and Remote, Model No. CF235SW, accessed May 12, 2020.

* cited by examiner

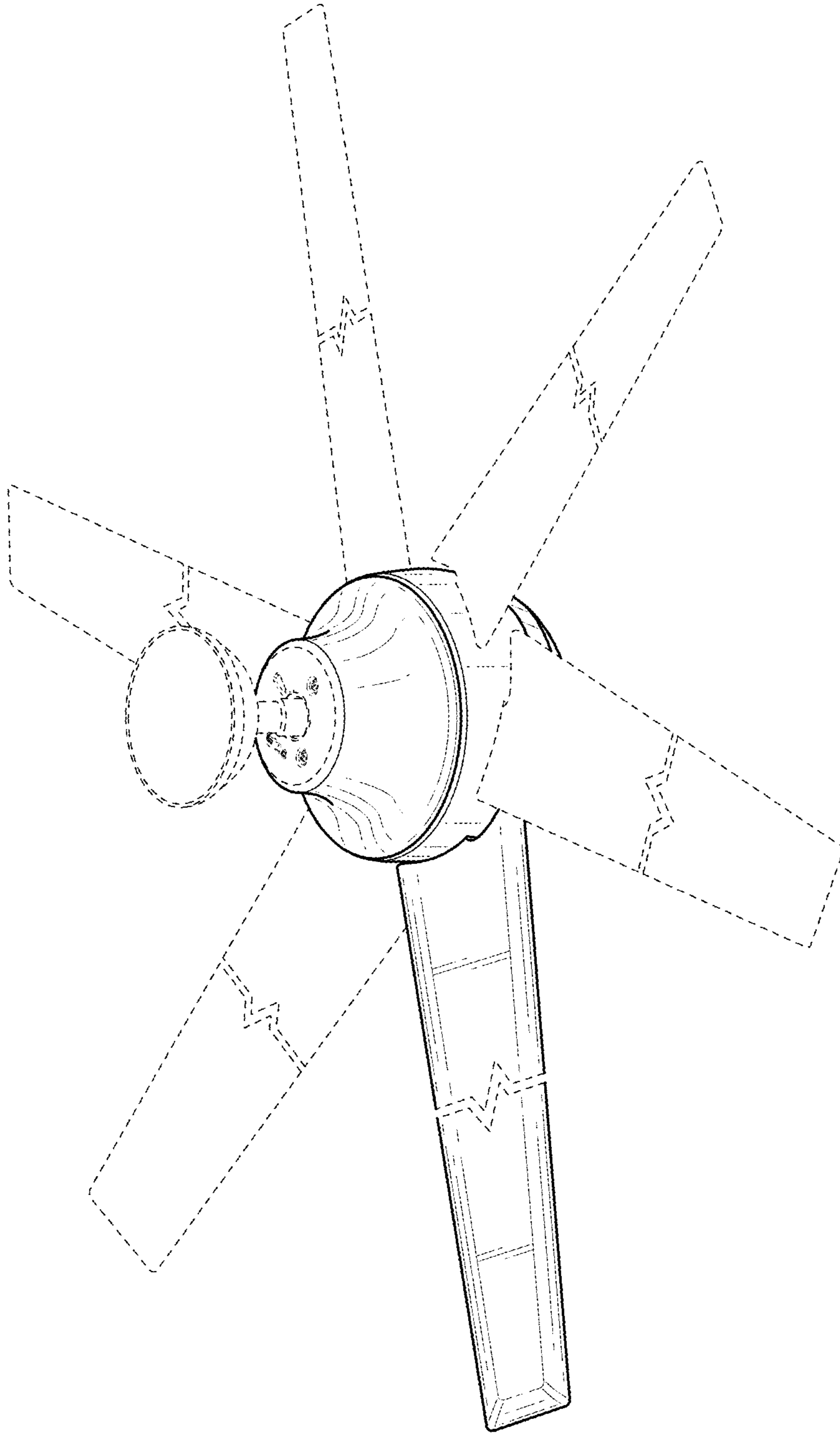


FIG. 1

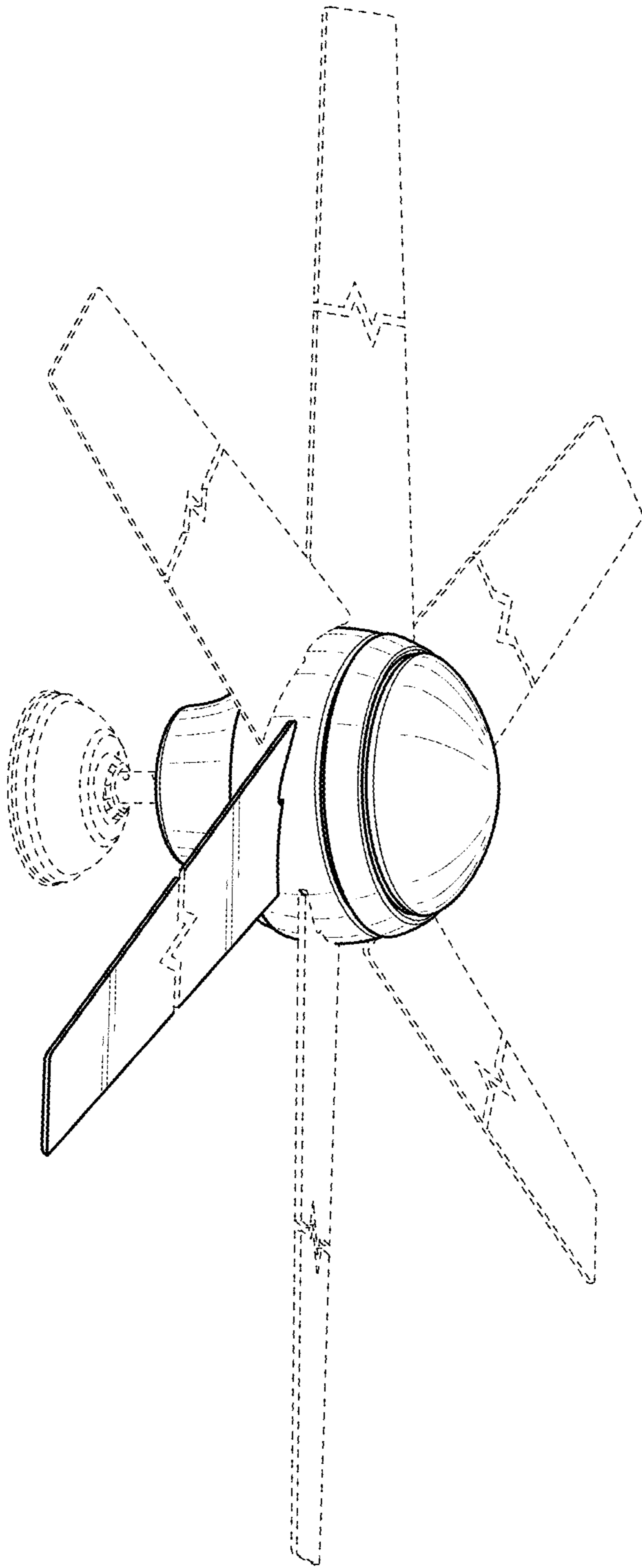


FIG. 2

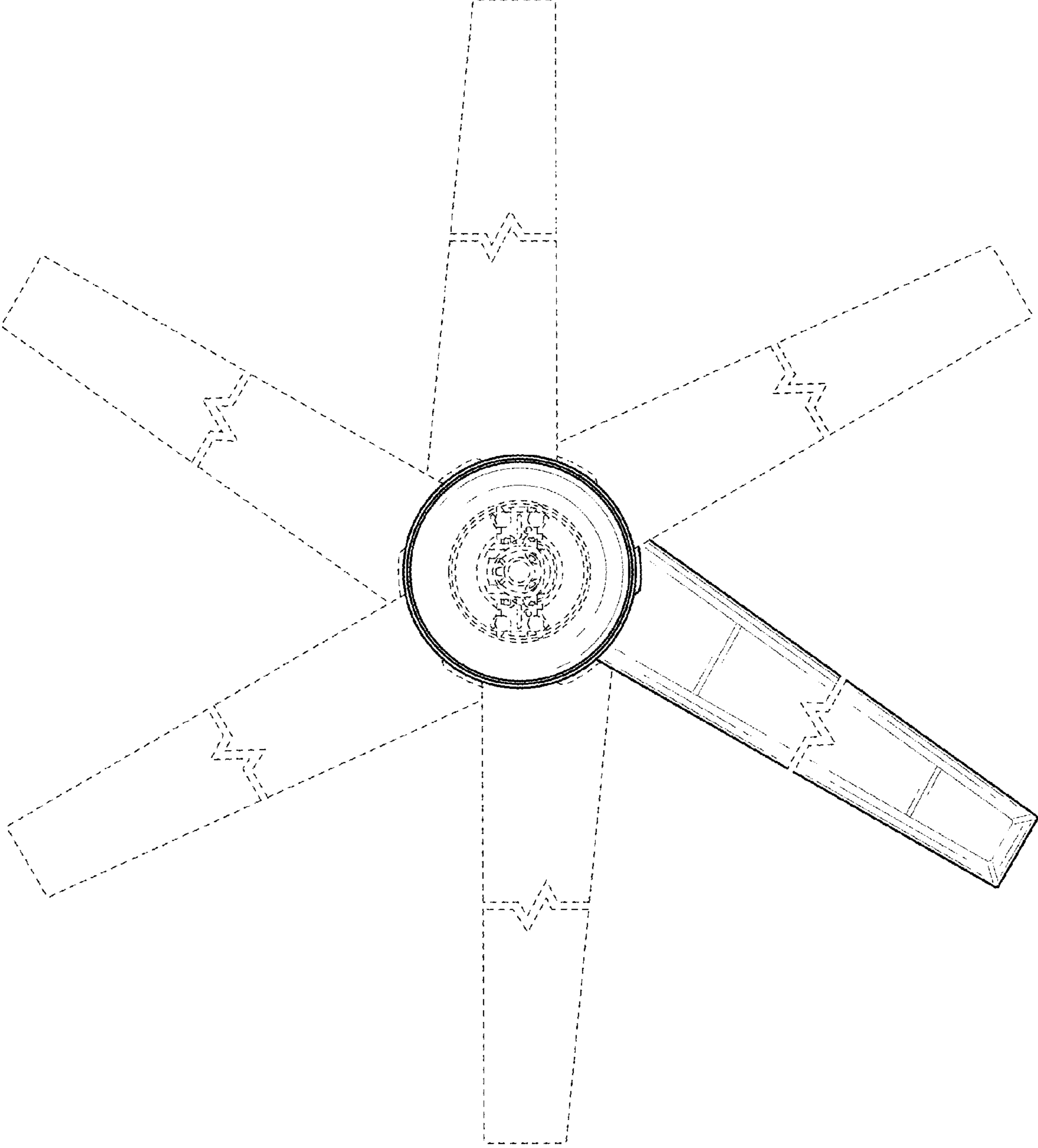


FIG. 3

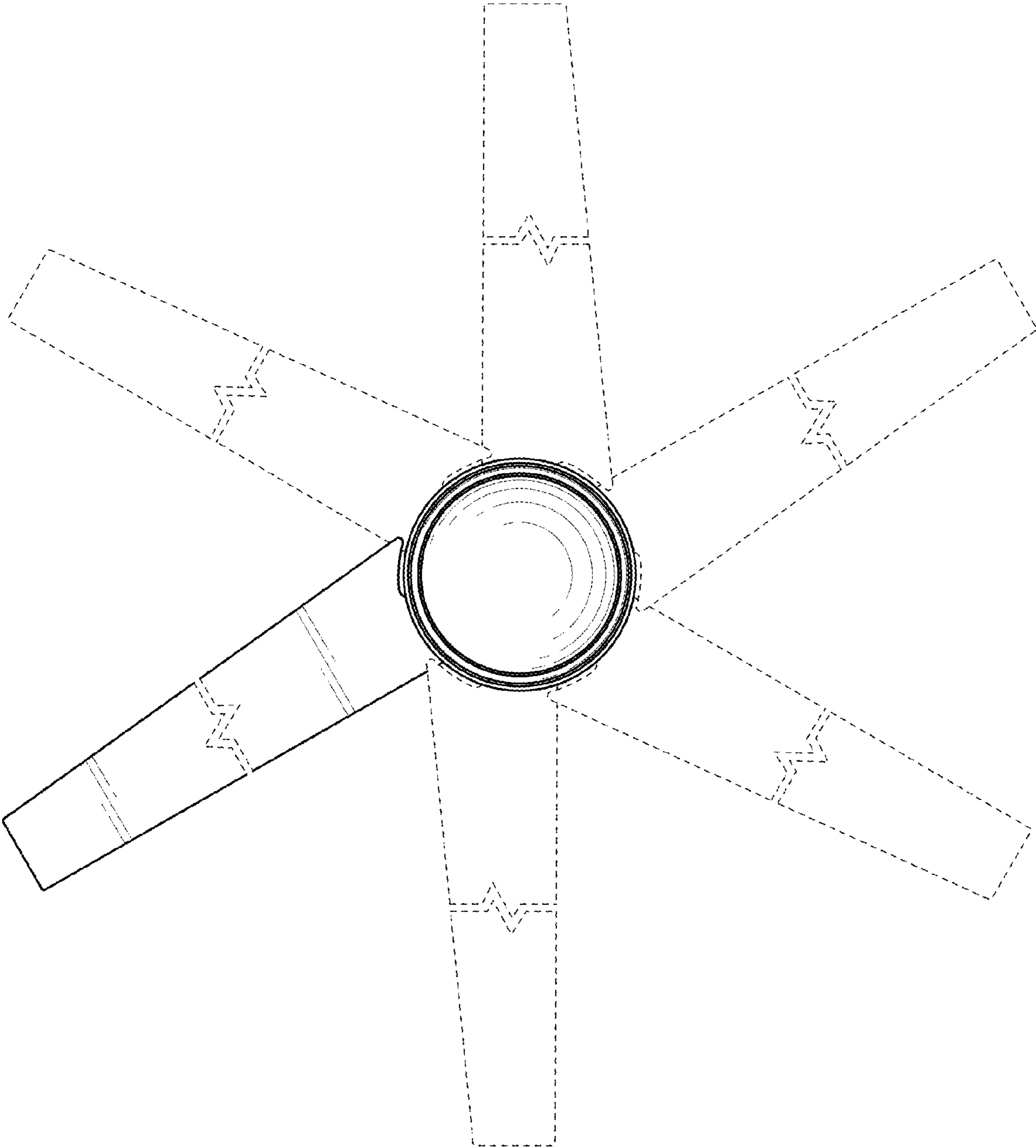


FIG. 4

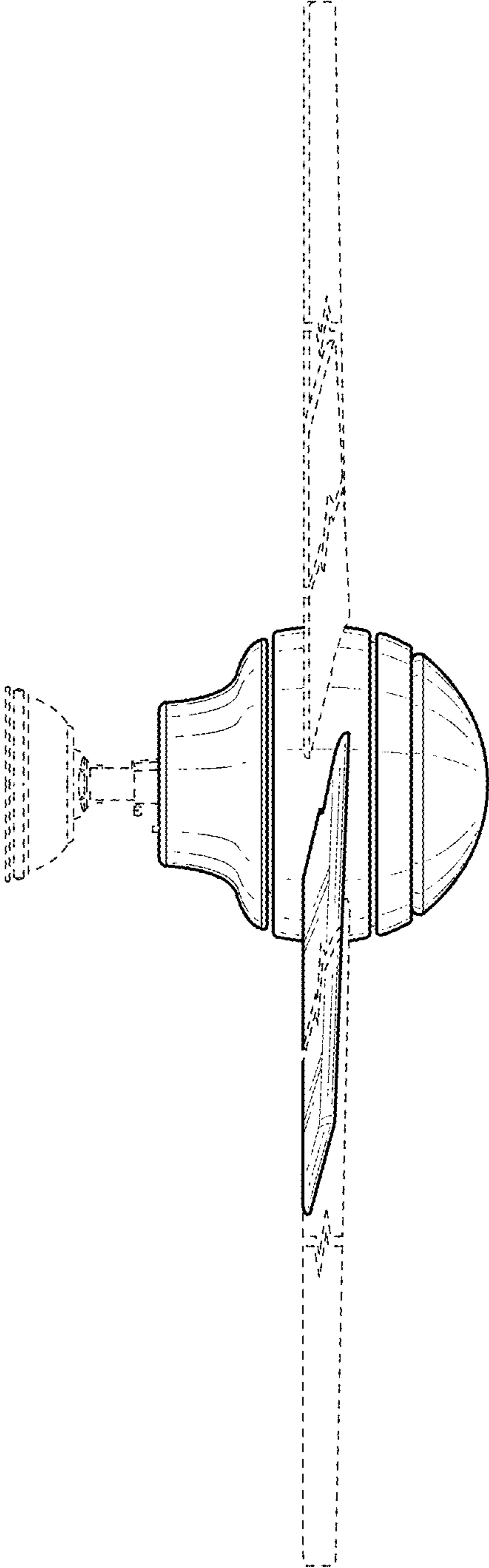


FIG. 5

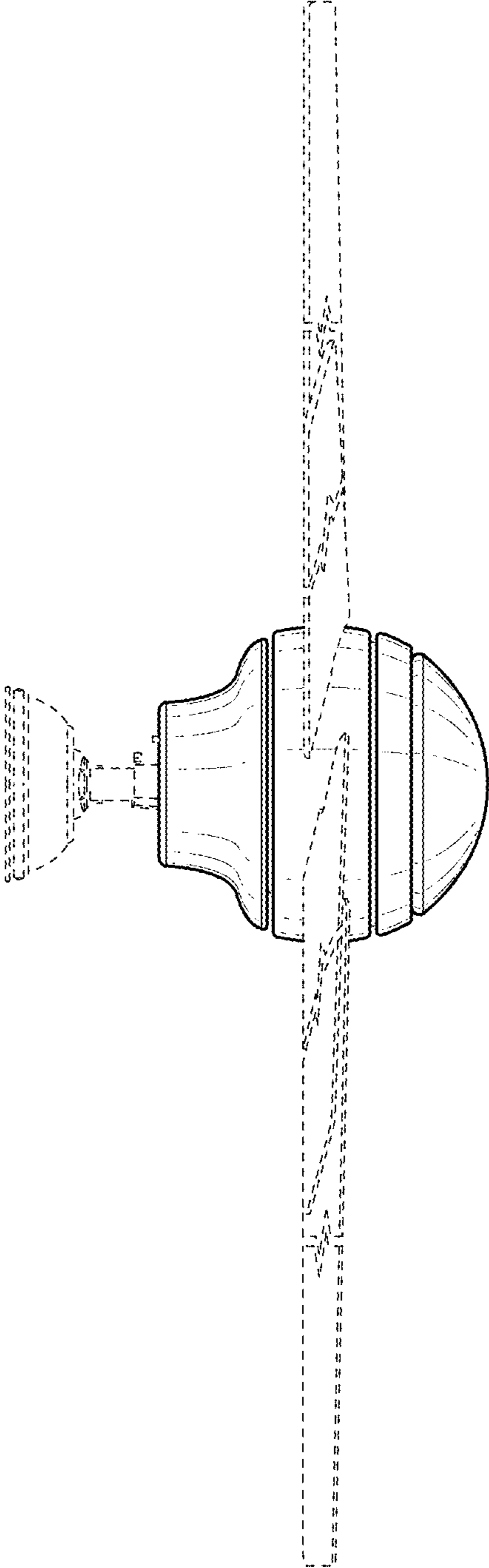


FIG. 6

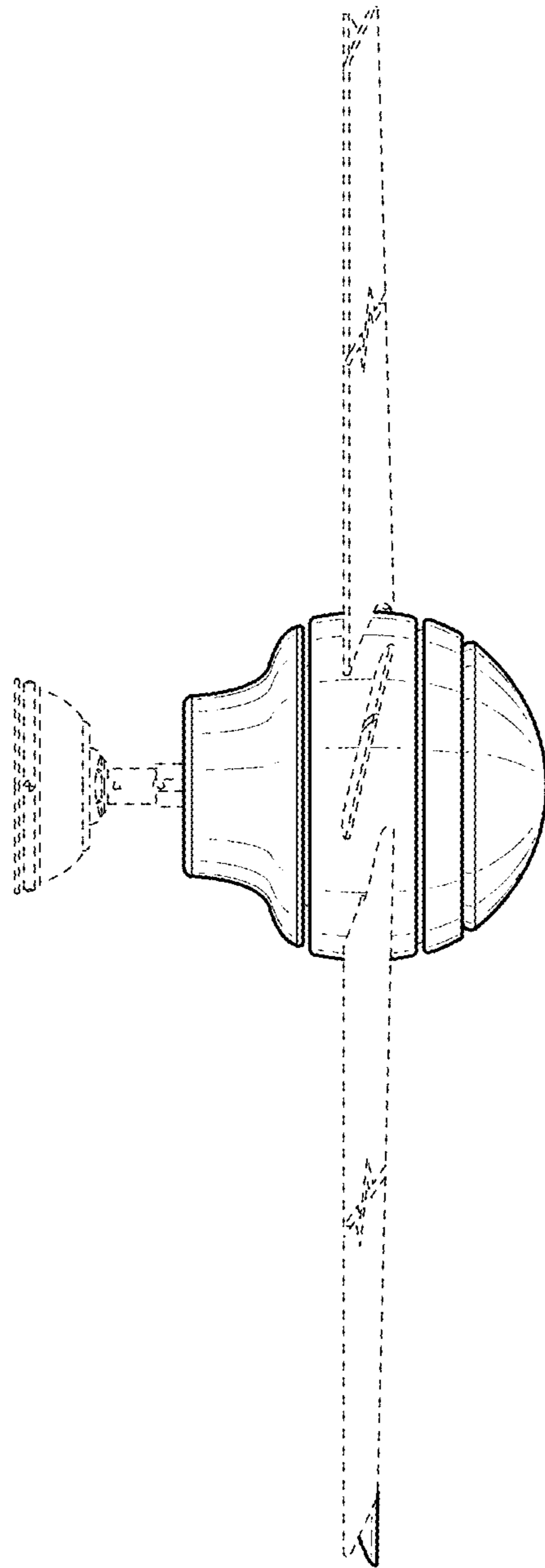


FIG. 7

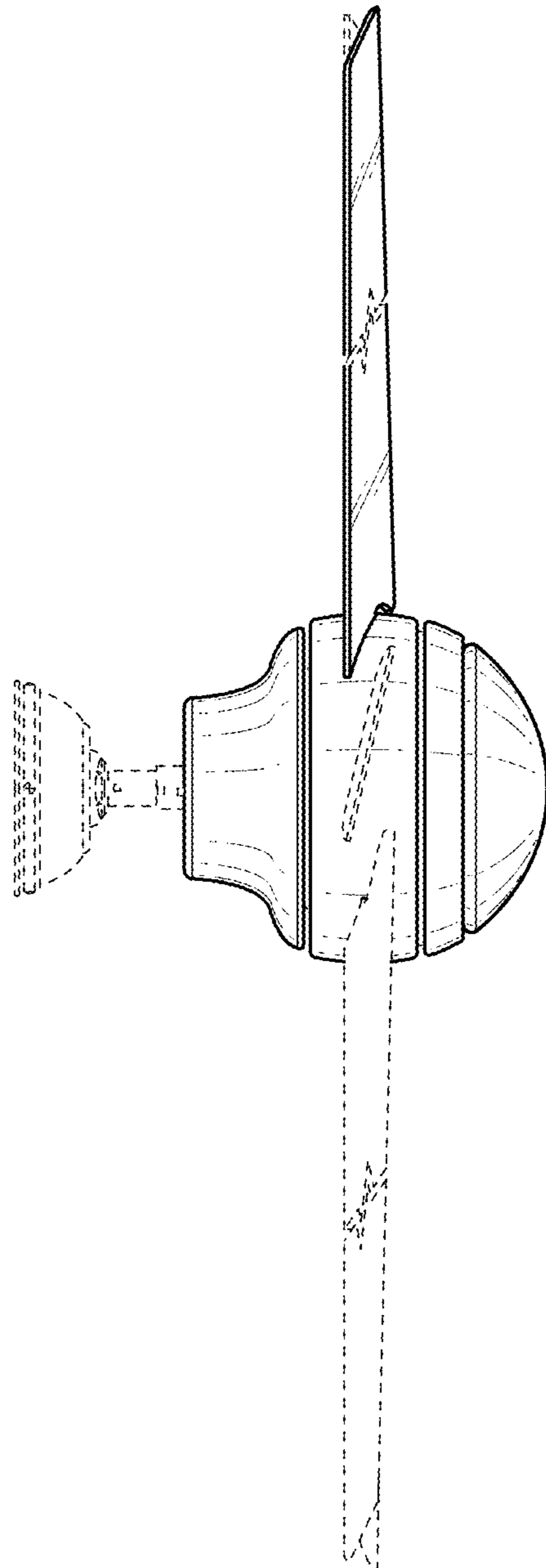


FIG. 8