

US00D965761S

(12) **United States Design Patent** (10) **Patent No.:** **US D965,761 S**
Holmes Bradley (45) **Date of Patent:** **** Oct. 4, 2022**

(54) **CEILING FAN**
(71) Applicant: **Hunter Fan Company**, Memphis, TN (US)

D810,919 S 2/2018 Haggar
D818,104 S 5/2018 Holmes et al.
D855,788 S * 8/2019 Haggar D23/377
D855,789 S * 8/2019 Haggar D23/377
D859,628 S * 9/2019 Yang D23/377
(Continued)

(72) Inventor: **Christine Marie Holmes Bradley**, Memphis, TN (US)

FOREIGN PATENT DOCUMENTS

(73) Assignee: **Hunter Fan Company**, Memphis, TN (US)

CN 206845502 U 1/2018

(**) Term: **15 Years**

OTHER PUBLICATIONS

(21) Appl. No.: **29/722,249**

http://www.quoruminternational.com/search_result.asp?params=ENumber:66565-86; Quorum International Holt 56" LED Fan, Model No. 66565-86, accessed Jun. 26, 2018.

(22) Filed: **Jan. 28, 2020**

(Continued)

(51) **LOC (13) Cl.** **23-04**

(52) **U.S. Cl.**
USPC **D23/377**

Primary Examiner — Sharon S Oum
(74) *Attorney, Agent, or Firm* — McGarry Bair PC

(58) **Field of Classification Search**
USPC D23/370, 377, 379, 385, 411–414;
D26/59
CPC F04D 25/088; F04D 29/38; F04D 29/384;
F04D 29/386; F21V 33/0096
See application file for complete search history.

(57) **CLAIM**

The ornamental design for a ceiling fan, as shown and described.

DESCRIPTION

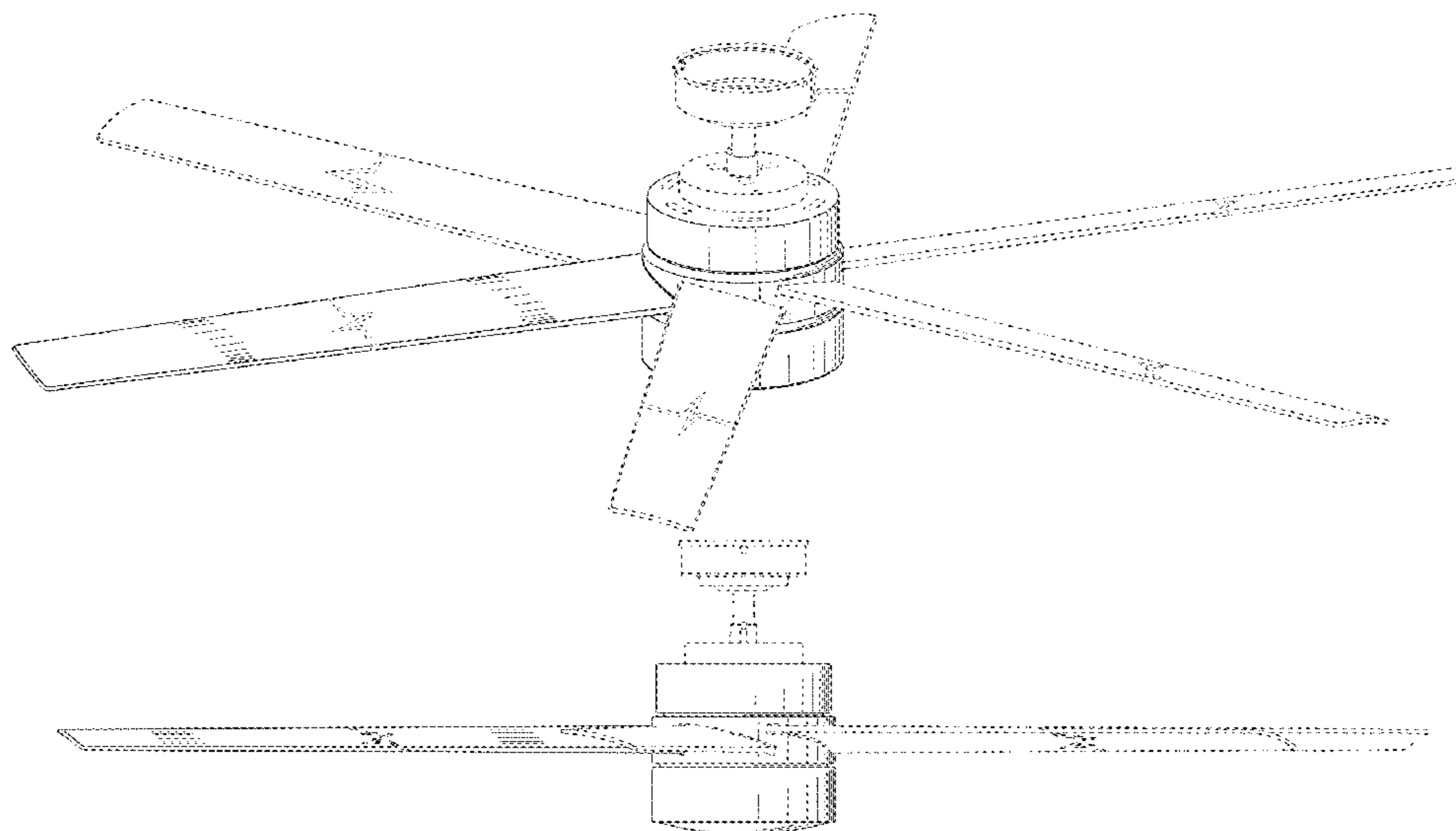
(56) **References Cited**

U.S. PATENT DOCUMENTS

D328,785 S * 8/1992 Markwardt D23/377
D453,216 S * 1/2002 Gajewski D23/377
D594,552 S 6/2009 Parker et al.
D609,799 S * 2/2010 Lee D23/377
D628,688 S * 12/2010 Pan D23/377
D632,384 S * 2/2011 Pan D23/411
D712,533 S 9/2014 Allen et al.
D744,634 S 12/2015 Wang
D772,393 S 11/2016 Wang
D788,283 S 5/2017 Busta
D799,020 S * 10/2017 Guthrie D23/377
D801,515 S * 10/2017 Wang D23/411
D804,640 S 12/2017 Haggar et al.
D805,173 S 12/2017 Vajen Habig et al.
D807,491 S 1/2018 Haggar et al.

FIG. 1 is a top perspective view of a ceiling fan, showing my new design;
FIG. 2 is a top view thereof;
FIG. 3 is a bottom view thereof;
FIG. 4 is a left side view thereof;
FIG. 5 is a front-left side view thereof;
FIG. 6 is a front-right side view thereof; and,
FIG. 7 is a right side view thereof.
Portions of the ceiling fan shown in broken lines form no part of the claimed design.
The blades include symbolic breaks in their length, which forms no part of the claimed design. The portion of the ceiling fan blades between the symbolic break forms no part of the claimed design.

1 Claim, 7 Drawing Sheets



(56)

References Cited

U.S. PATENT DOCUMENTS

D873,987 S *	1/2020	Biancuzzo	D23/377
D874,637 S *	2/2020	Haggar	D23/411
D894,364 S *	8/2020	Schulzman	D23/377
D915,577 S *	4/2021	Pickett	D23/377
D921,880 S *	6/2021	Haggar	D23/411
D921,881 S *	6/2021	Haggar	D23/411
2018/0128277 A1 *	5/2018	Chia	F04D 29/362

OTHER PUBLICATIONS

<https://www.minkagroup.net/f828-bn-wh.html>, Minka Aire Symbio, 56" 5-Blade Ceiling Fan in Brushed Nickel Finish with White Blades and Etched Glass, Model No. F828-BN/WH, accessed Jun. 26, 2018.

<https://www.minkagroup.net/f5431-ka.html>, Minka Aire Swept, 56: 4-Blade LED Ceiling Fan in Kocoa Finish with Kocoa Blades and an Etched Glass Lens, Model No. F5431-KA, accessed Jun. 26, 2018.

<https://www.minkagroup.net/1786-bnw.html>, Minka Aire Simple, 44" 3-Blade Ceiling Fan in Brushed Nickel Wet Finish with Solver Blades, Model No. F786-BNW, accessed Jun. 26, 2018.

<http://www.fanimation.com/products/index.php/fans/blitz.html>, Fanimation Blitz Indoor/Outdoor Ceiling Fan, Model No. LP8377, accessed Jun. 26, 2018.

<https://www.menards.com/main/lighting-ceiling-fans/ceiling-fans/indoor-ceiling-fans/turn-of-the-century-reg-grand-haven-62-oil-rubbed-bronze-led-ceiling-fan/20387/p-1473854532560-c-7488.htm?>

tid=7090369252753503630&ipos=15, Turn of the Century Grand Haven 62" Oil Rubbed Bronze LED Ceiling Fan, Model No. 20387, accessed Jun. 26, 2018.

<https://www.hunterfan.com/ceiling-fans/casablanca-bullet-with-light-54-inch-fam092>, Casablanca Bullet 54" Ceiling fan with Light, Item No. 59068, accessed Jun. 26, 2018.

<https://www.hunterfan.com/ceiling-fans/casablanca-axial-with-led-light-52-inch-fam813>, Casablanca Axial 52 Inch Ceiling Fan with LED Light, Item No. 59341, accessed Jun. 26, 2018.

<http://www.montecarlofans.com/57225/52-Clarity---Oil-Rubbed-Bronze-3CLYR52OZD.html>, Monte Carlo Clarity Collection, 52" Oil Rubbed Bronze Ceiling Fan, Product No. 3CLYR52OZD-V1, accessed Jun. 26, 2018.

<http://www.montecarlofans.com/57251/56-Vision-Max---Roman-Bronze-3VNMR56RBD.html>, Monte Carlo Vision Max Collection, 56" Vision Max—Roman Bronze, Product No. 3VNMR56RBD-V1, accessed Jun. 26, 2018.

<https://www.craftmade.com/triad-tri54>, Craftmade Triad Ceiling Fan, Blades included, Model No. TRI54, accessed Jun. 26, 2018.

<https://www.minkagroup.net/f736l-bs-sdbk.html>, Minka Aire Gear, 54" 3-Blade LED Ceiling Fan in Brushed Steel and Sand Black Finish with Matte Black Blades and Etched Glass, Model No. F736L-BS/SDBL, accessed Jun. 26, 2018.

<https://www.hunterfan.com/ceiling-fans/zilker-with-led-light-52-inch-fam818>, Hunter Fan Zilker 52 Inch Ceiling Fan with LED Light, Item No. 59237, accessed Jun. 26, 2018.

<http://www.kichler.com/products/product/arkwright-ceiling-fan-pn-300146pn.aspx>, Kichler Arkwright Collection, Arkwright Fan in Polish Nickel, Model No. 300146PN, accessed Jun. 26, 2018.

* cited by examiner

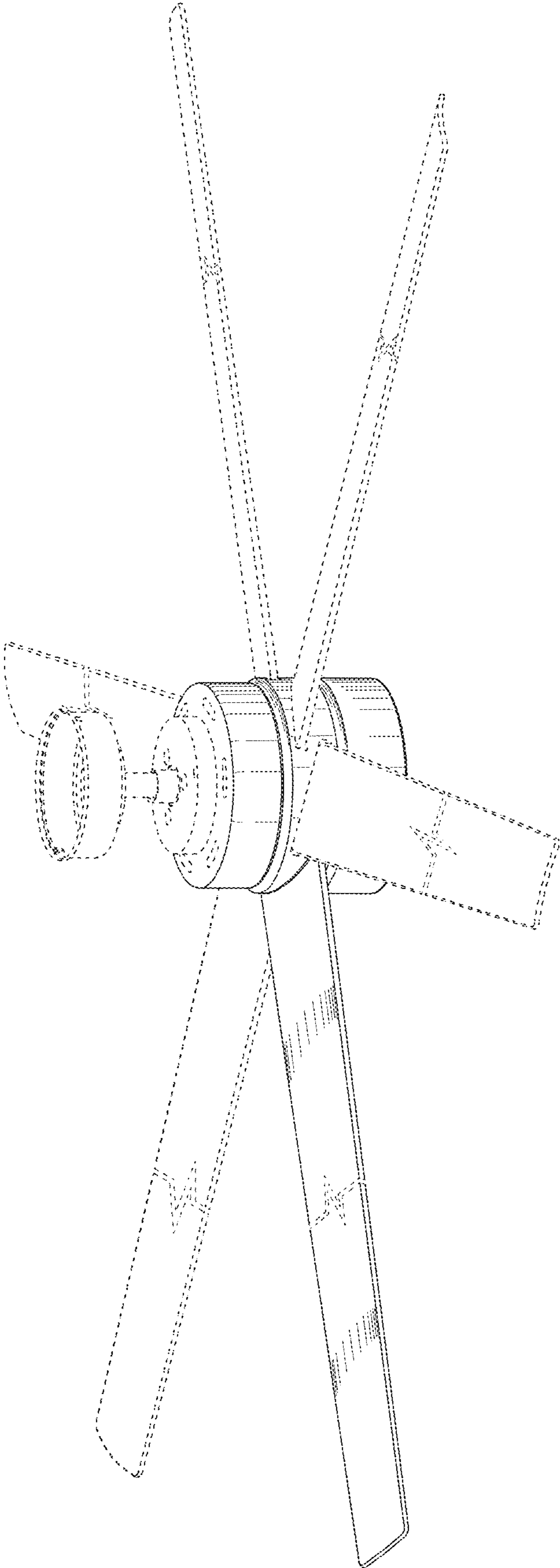


FIG. 1

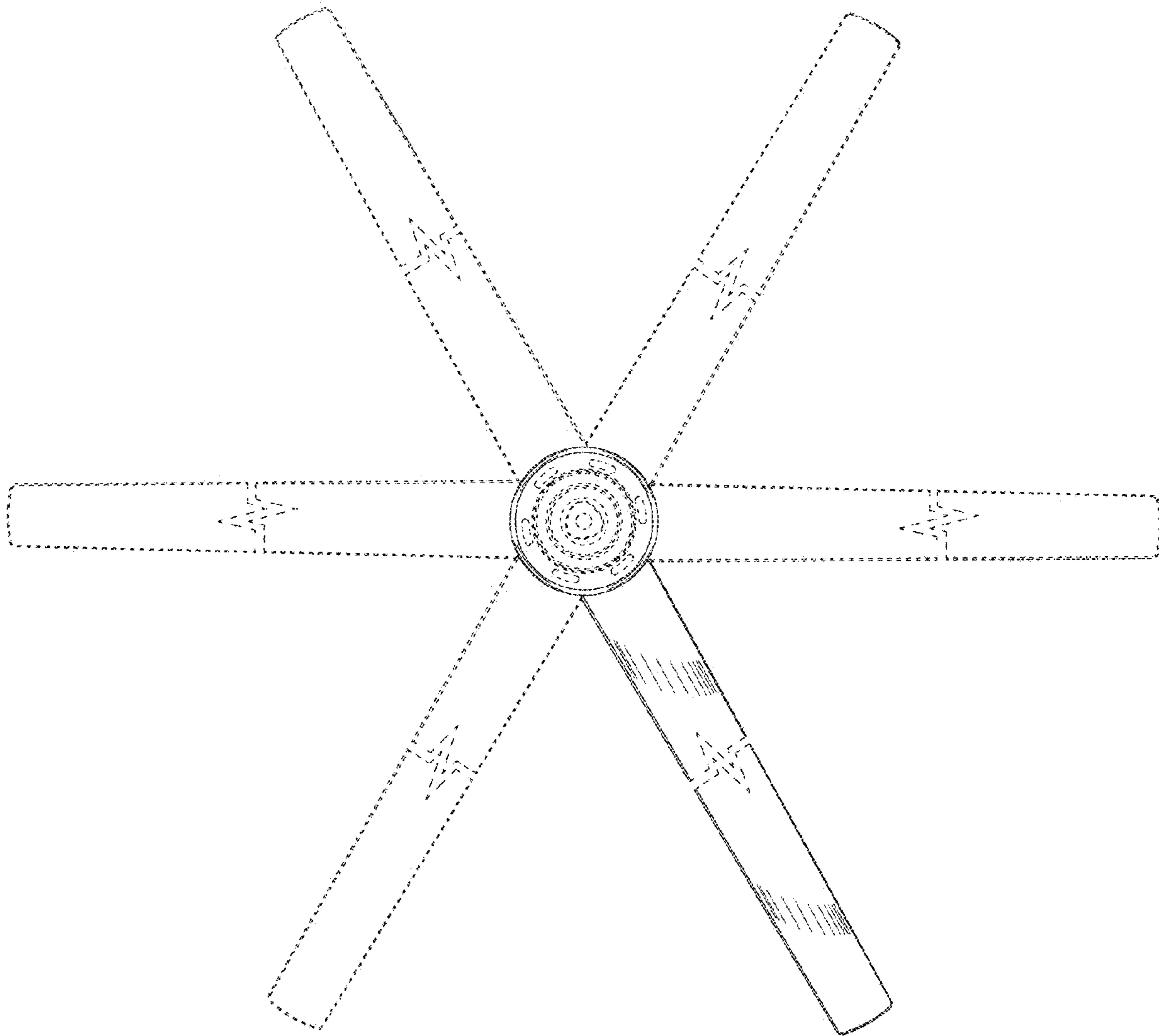


FIG. 2

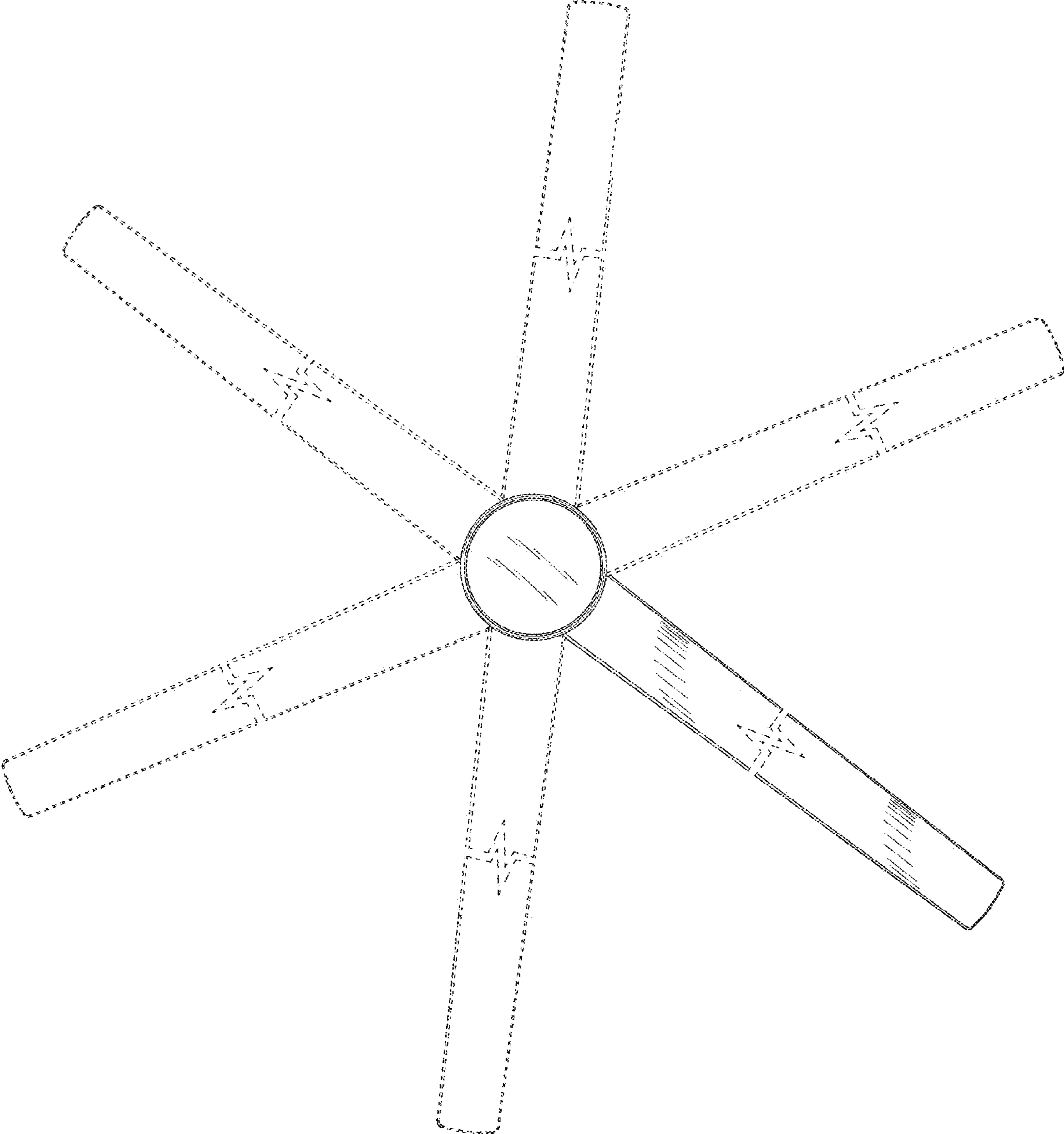


FIG. 3

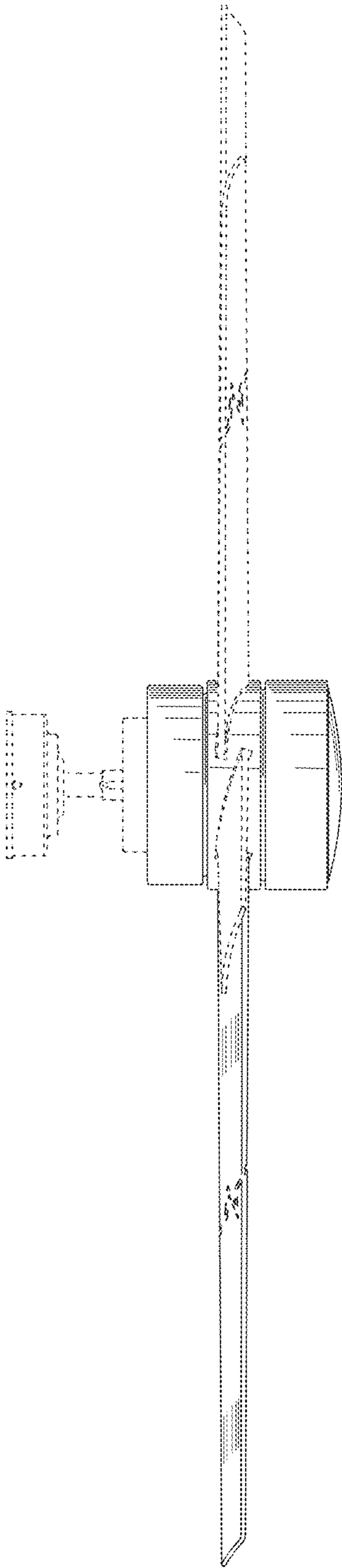


FIG. 4

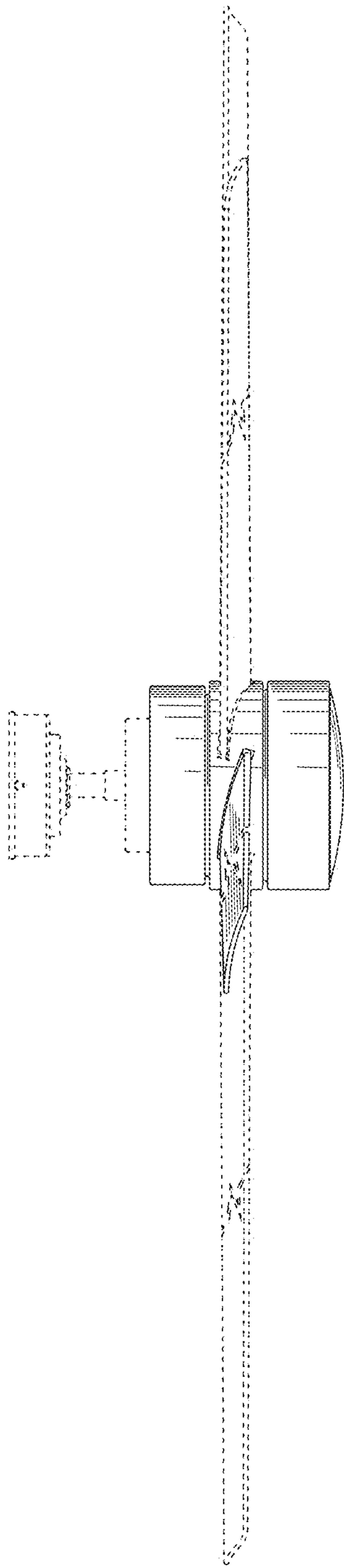


FIG. 5

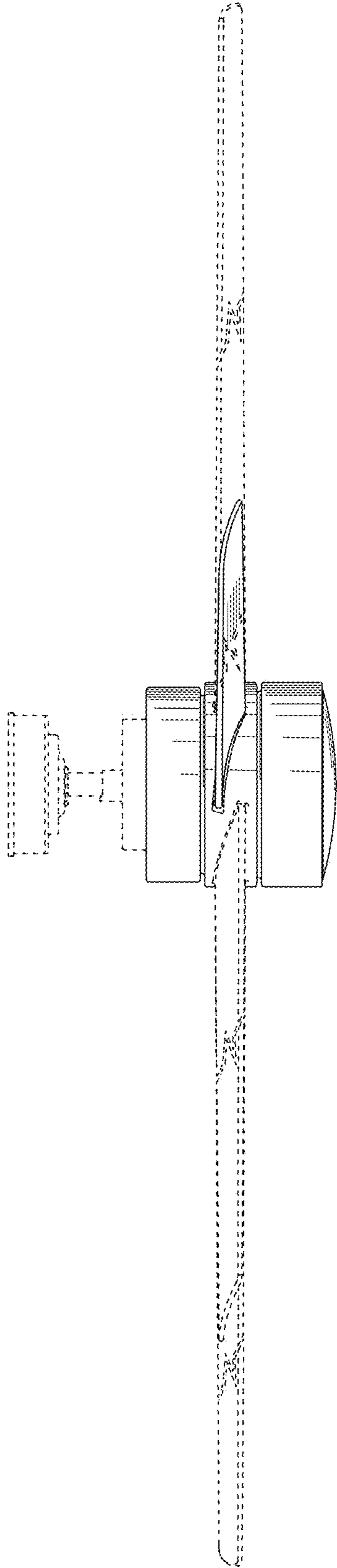


FIG. 6

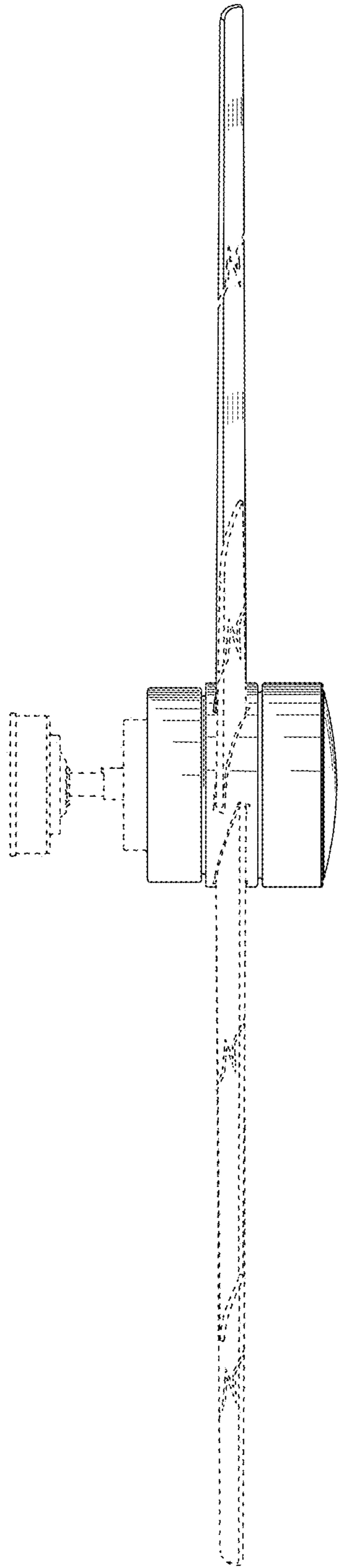


FIG. 7