



US00D965760S

(12) **United States Design Patent**
Huang

(10) **Patent No.:** **US D965,760 S**

(45) **Date of Patent:** **** Oct. 4, 2022**

(54) **COOLING FAN WITH TWO AIR OUTLETS**

OTHER PUBLICATIONS

(71) Applicant: **Dynaeon Industrial Co., LTD.**, Taipei (TW)

Science Direct, "Centrifugal Fan", Published in Electrical Motor Products, 2011. (<https://www.sciencedirect.com/topics/engineering/centrifugal-fan>) (Year: 2011).*

(72) Inventor: **Tai-Chi Huang**, Taipei (TW)

(Continued)

(73) Assignee: **DYNAEON INDUSTRIAL CO., LTD.**, Taipei (TW)

Primary Examiner — April Rivas

(74) *Attorney, Agent, or Firm* — Muncy, Geissler, Olds & Lowe P.C.

(**) Term: **15 Years**

(21) Appl. No.: **29/719,229**

(57) **CLAIM**

(22) Filed: **Jan. 2, 2020**

The ornamental design for a cooling fan with two air outlets, as shown and described.

(51) **LOC (13) Cl.** **23-03**

(52) **U.S. Cl.**
USPC **D23/370; D13/179**

(58) **Field of Classification Search**
USPC D13/179, 182.184; D23/231, 371, 387, D23/370; D14/230
CPC . H01Q 1/428; H01Q 1/02; H01Q 1/38; H01L 23/367; H01L 23/3672; H05K 7/20254; F28F 3/022; F28F 3/04; F28F 21/065; G02B 1/111; F28D 15/0275; F04D 29/281
See application file for complete search history.

DESCRIPTION

FIG. 1 is a perspective view of the cooling fan with two air outlets showing my new design;
FIG. 2 is a front elevational view thereof;
FIG. 3 is a rear elevational view thereof;
FIG. 4 is a left side elevational view thereof;
FIG. 5 is a right side elevational view thereof;
FIG. 6 is a top plan view thereof;
FIG. 7 is a bottom plan view thereof;
FIG. 8 is another perspective view thereof;
FIG. 9 is another perspective view thereof for showing use situation; and,
FIG. 10 is another perspective view thereof for showing use situation.

(56) **References Cited**

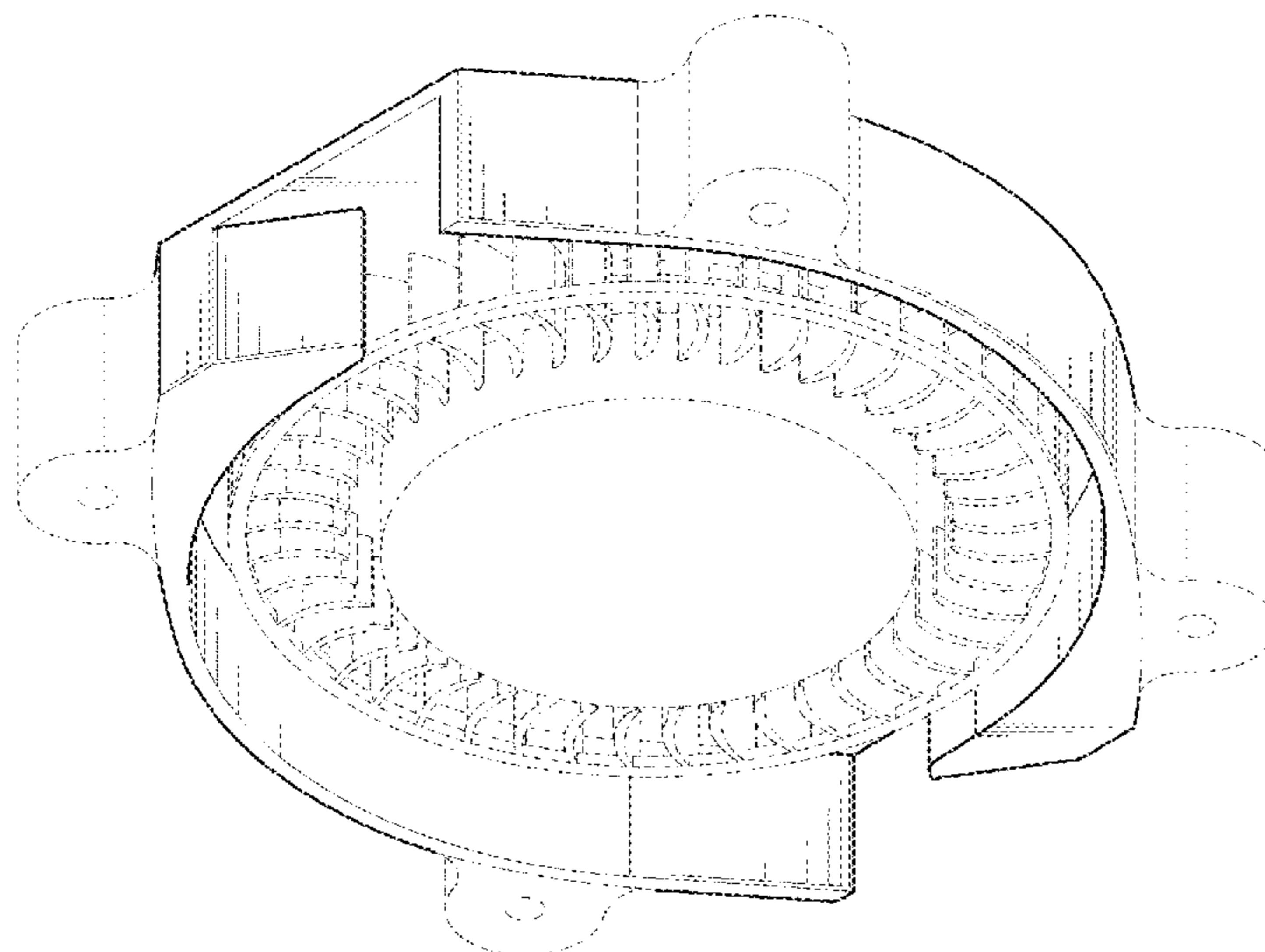
U.S. PATENT DOCUMENTS

D461,550 S *	8/2002	Hsin-mao	D23/370
D488,857 S *	4/2004	Wintersteen	D23/370
D539,408 S *	3/2007	Wu	D23/370
D643,379 S *	8/2011	Bolin	D13/179
8,051,898 B2 *	11/2011	Chiang	H01L 23/473 417/313
D694,199 S *	11/2013	Lin	D13/179
D708,591 S *	7/2014	Andre	D13/179
D775,720 S *	1/2017	Liu	D23/370
D780,901 S *	3/2017	Huang	D23/370
2011/0315359 A1 *	12/2011	Shih	F28F 1/20 165/121

The dash-dash broken line showing in the figures are for the purpose of illustrating portions of the cooling fan with two air outlets. The additional articles in dash-dash broken line in FIGS. 9 and 10 illustrate environment. None of the dash-dash broken lines form part of the claimed design. The dash-dot-dash broken lines depict boundaries and form no part of the claimed design.

(Continued)

1 Claim, 8 Drawing Sheets



(56)

References Cited

U.S. PATENT DOCUMENTS

2019/0390916 A1* 12/2019 St. Rock F28F 21/065
2021/0321533 A1* 10/2021 Chen H05K 7/20145

OTHER PUBLICATIONS

Dynatron N3 Specification, Applicable images pp. 5-6 dated May 21, 2020. p. 13 dated 2020. (<https://gzhls.at/blob/ldb/a/6/e/2/f3865ba908845567aaab6400f6c734b62c2a.pdf>) (Year: 2020).*

* cited by examiner

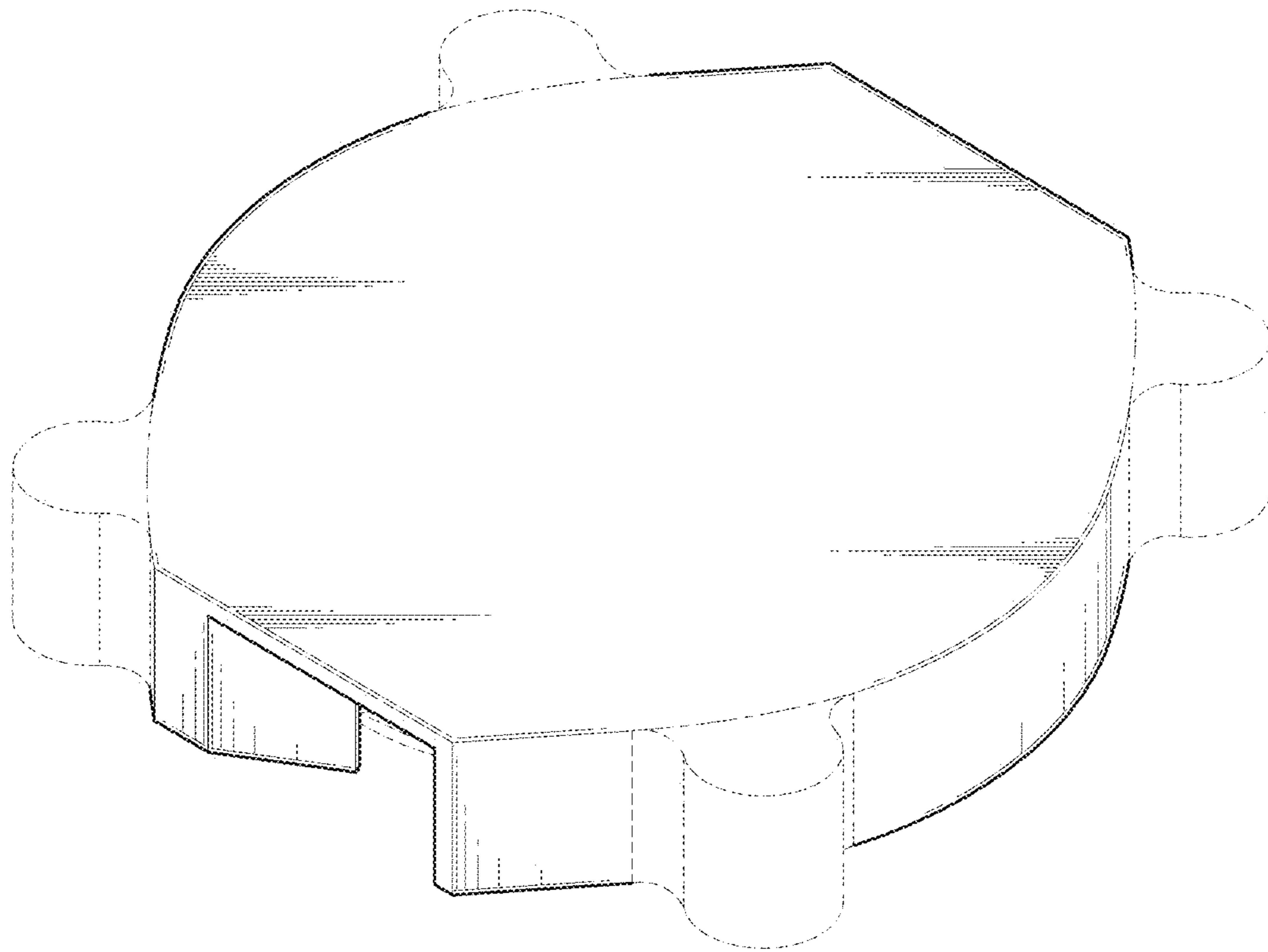


Fig. 1

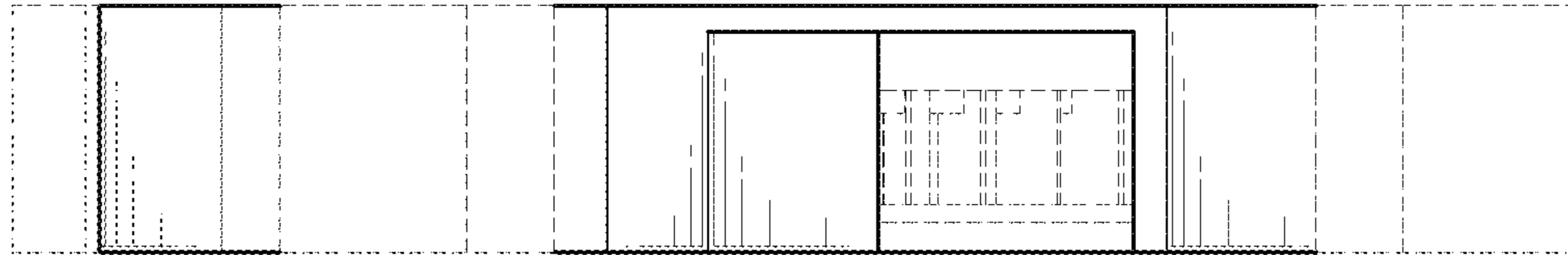


Fig. 2

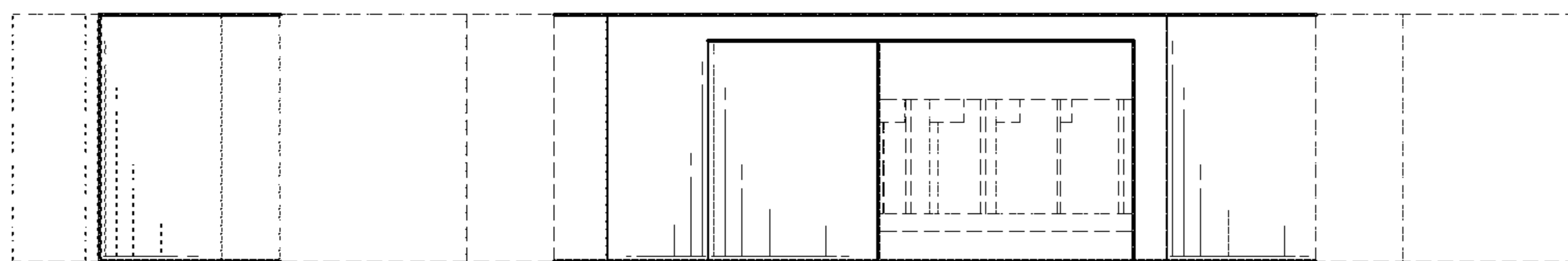


Fig. 3



Fig. 4

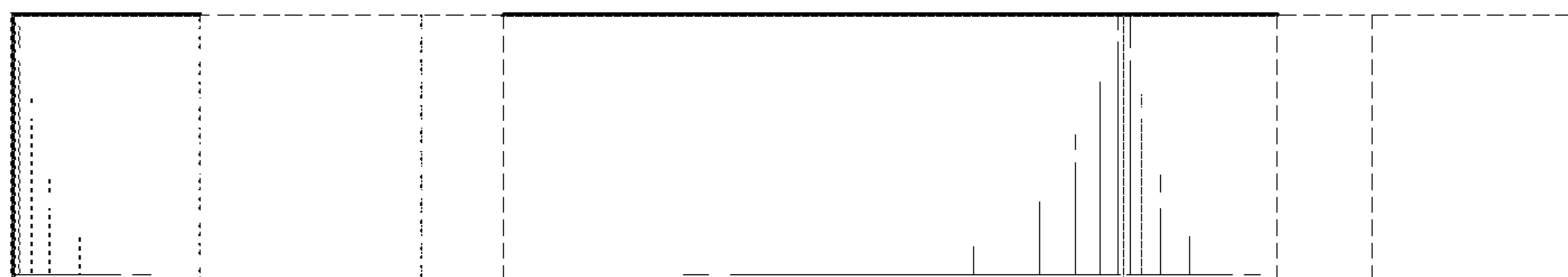


Fig. 5

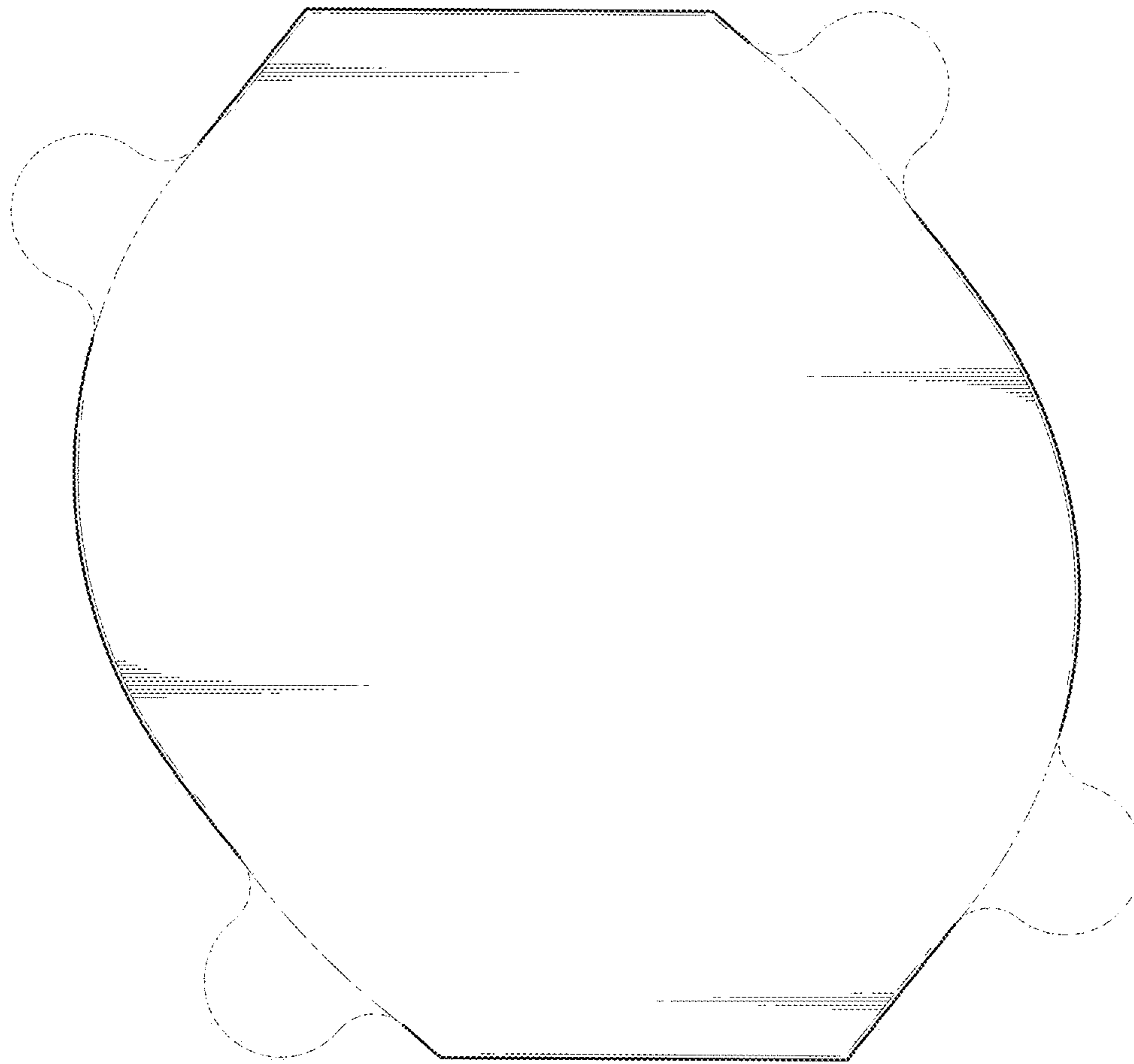


Fig. 6

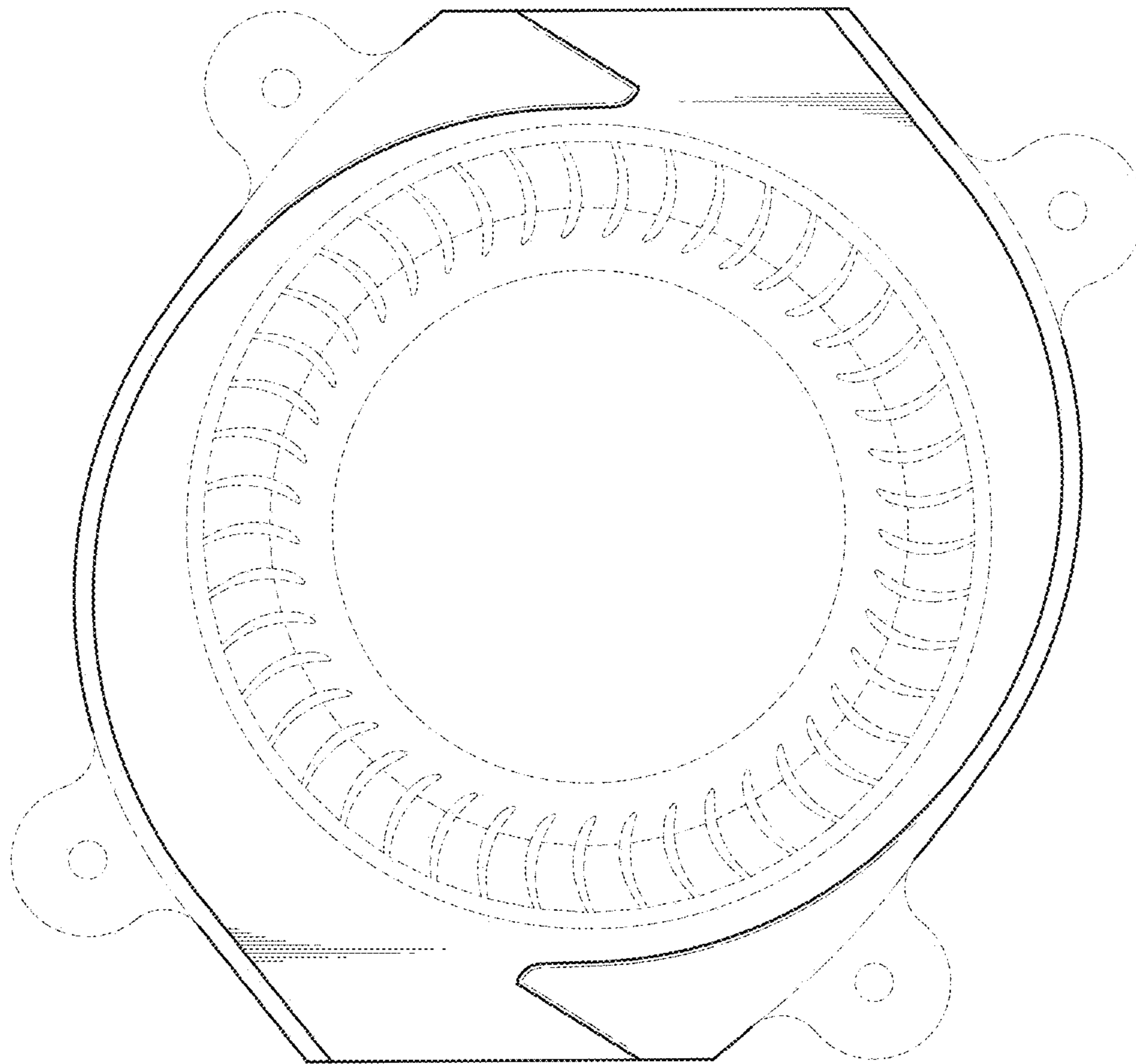


Fig. 7

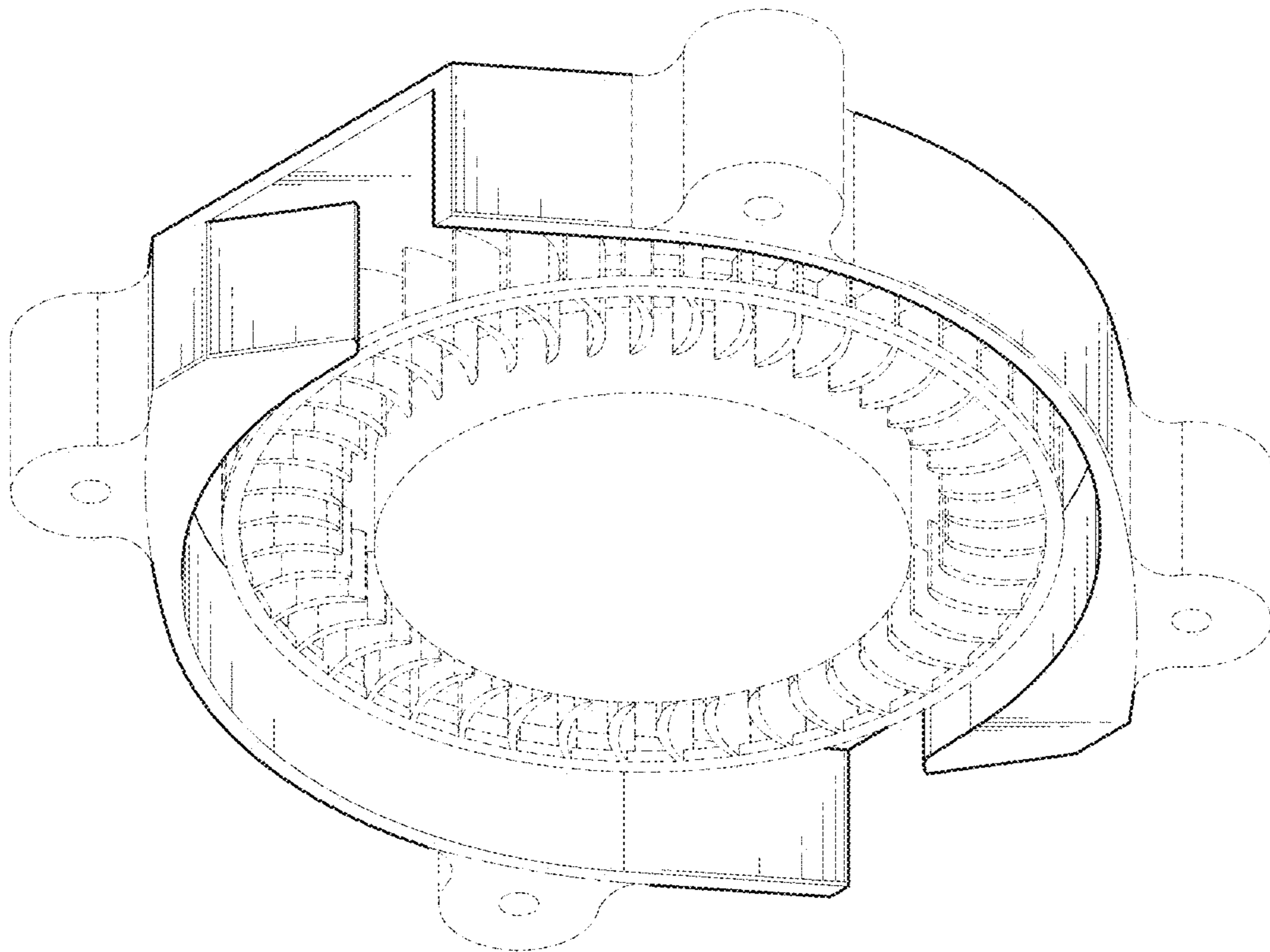


Fig. 8

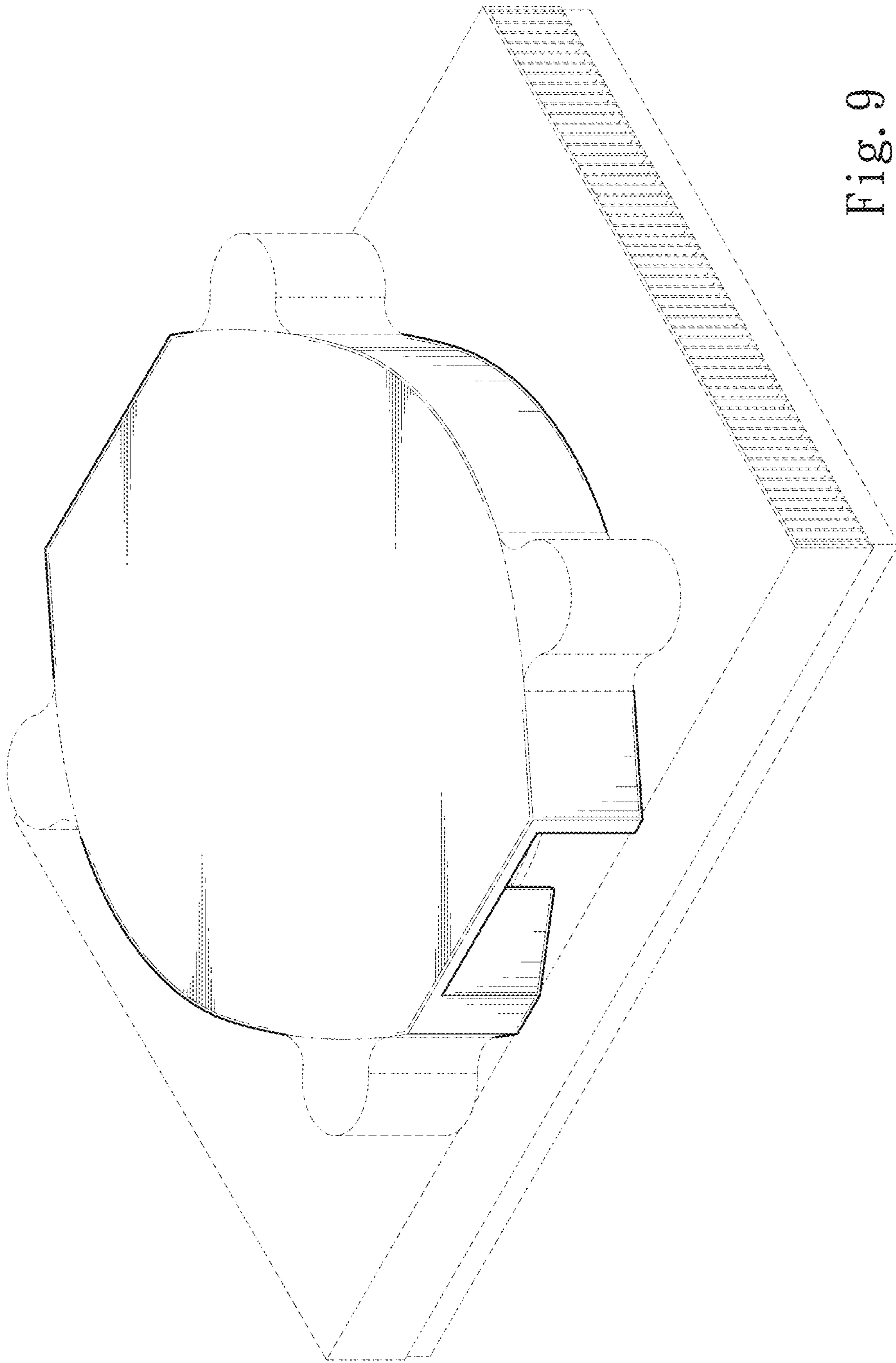


Fig. 9

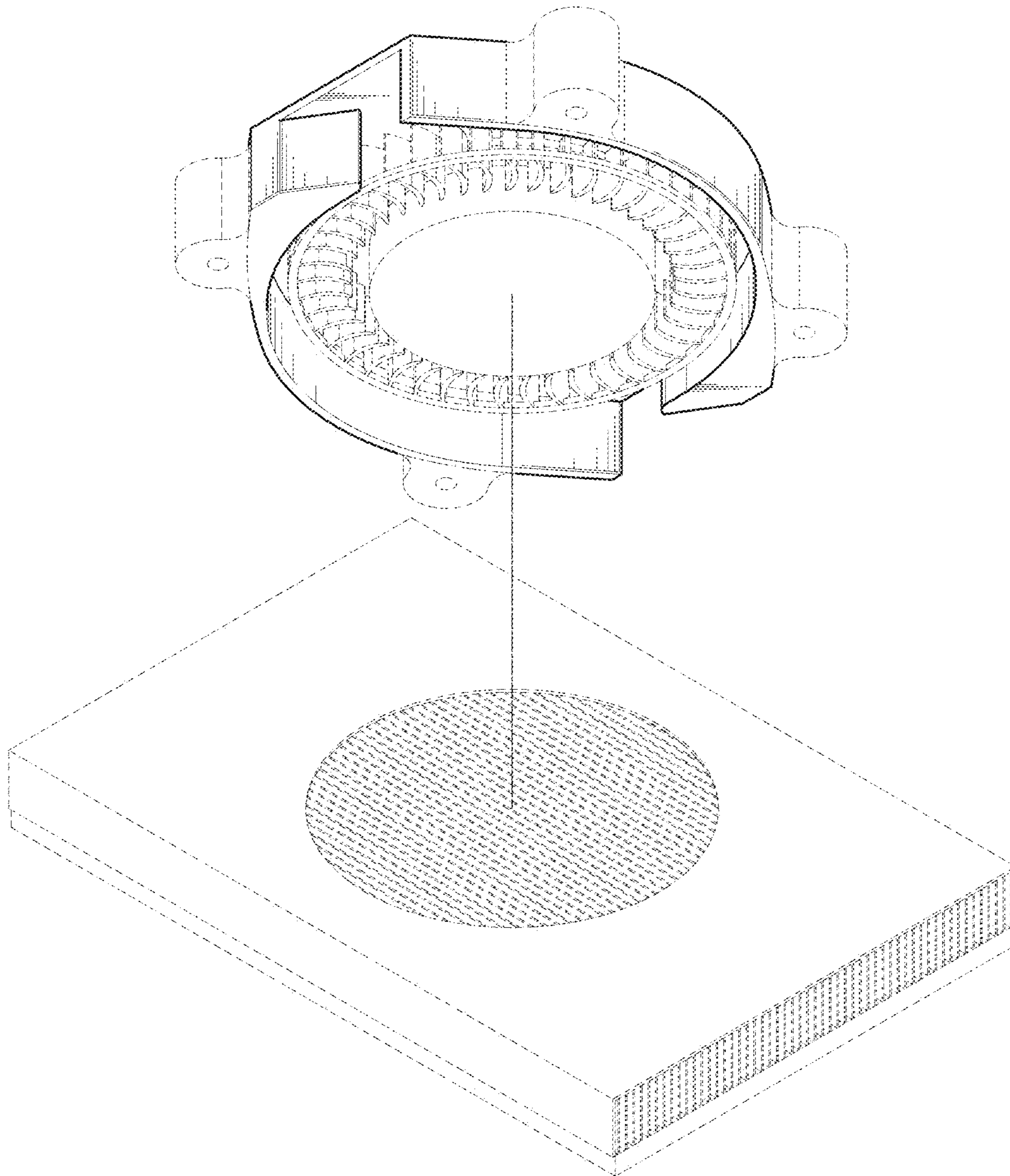


Fig. 10