



US00D965754S

(12) **United States Design Patent**
Rejkowski

(10) **Patent No.:** **US D965,754 S**

(45) **Date of Patent:** **** Oct. 4, 2022**

(54) **VENT FOR VEHICLE HEATING AND AIR
CONDITIONING SYSTEMS**

(71) Applicant: **Michael W Rejkowski**, Carrollton, TX
(US)

(72) Inventor: **Michael W Rejkowski**, Carrollton, TX
(US)

(73) Assignee: **CLASSIC AUTO AIR
MANUFACTURING LP**, Beachwood,
OH (US)

(**) Term: **15 Years**

(21) Appl. No.: **29/761,390**

(22) Filed: **Dec. 9, 2020**

(51) **LOC (13) Cl.** **12-16**

(52) **U.S. Cl.**
USPC **D23/324**

(58) **Field of Classification Search**
USPC D23/324, 325, 327, 393, 386; D12/415,
D12/190, 192, 195; D15/5
CPC B60H 1/00542; B60H 1/0055; B60H
1/00357; B60H 1/00271; B60H 1/34;
B60H 1/3407; B60H 1/3442; B60H
1/3428

See application file for complete search history.

(56) **References Cited**

U.S. PATENT DOCUMENTS

D214,791 S * 7/1969 Dixon D23/325
D235,876 S * 7/1975 Dixon D23/392

4,750,410 A * 6/1988 Parker B60H 1/34
454/155
2007/0287374 A1* 12/2007 Day B60H 3/0616
454/158
2010/0068982 A1* 3/2010 Guerreiro B60H 1/34
454/152
2016/0200167 A1* 7/2016 Wada B60H 1/3414
454/152
2019/0001791 A1* 1/2019 Matsuzawa B60H 1/0065
2020/0317031 A1* 10/2020 Kim B60H 1/3421
2021/0086590 A1* 3/2021 Schmidt B25J 19/0012

* cited by examiner

Primary Examiner — Ania Aman

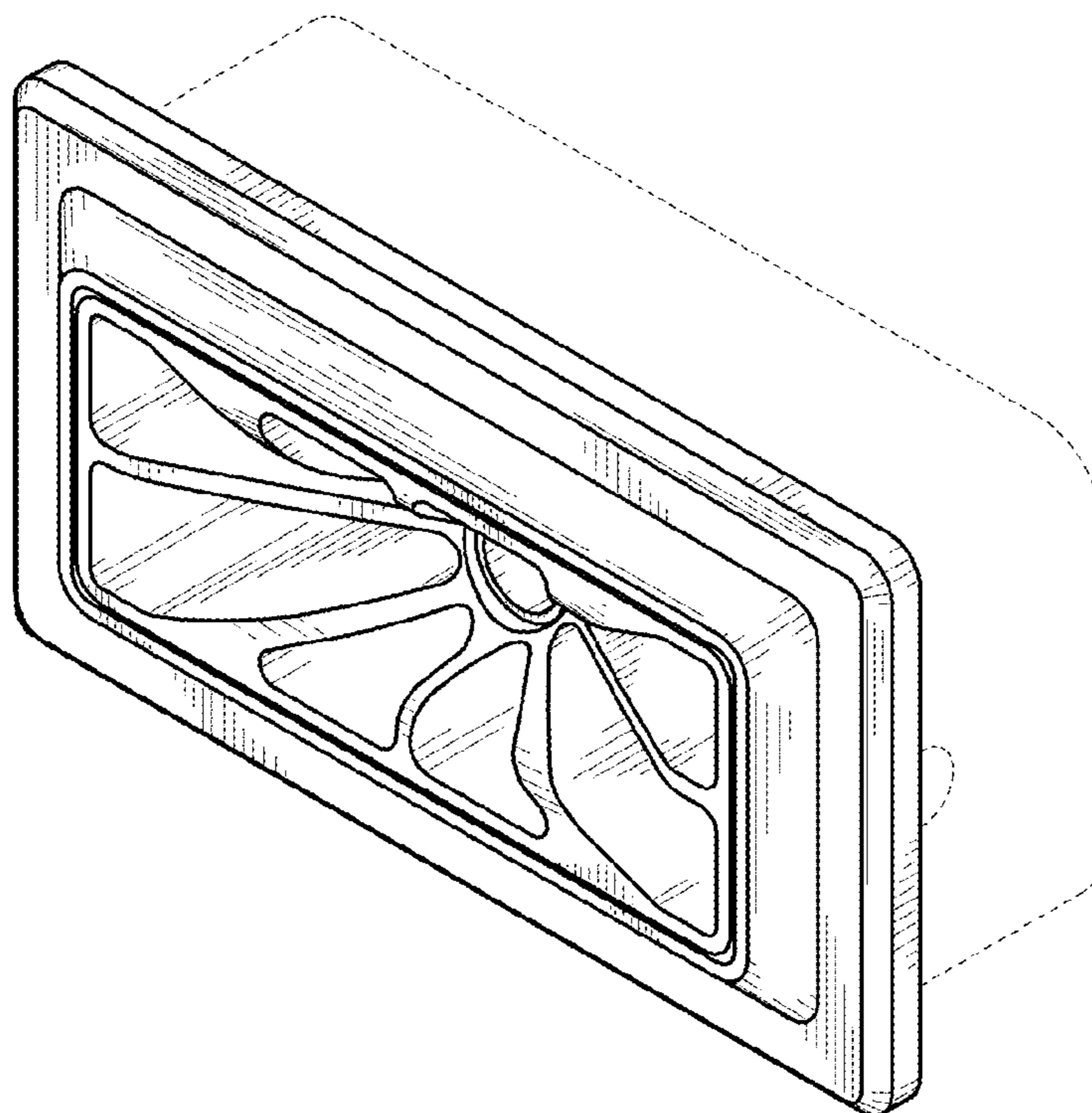
(57) **CLAIM**

The ornamental design for a vent for vehicle heating and air conditioning systems, as shown and described.

DESCRIPTION

FIG. 1 is a front perspective of the vent for vehicle heating and air conditioning systems showing my new design;
FIG. 2 is a left side view of the vent for vehicle heating and air conditioning systems of FIG. 1;
FIG. 3 is a right side view of the vent for vehicle heating and air conditioning systems of FIG. 1;
FIG. 4 is a front elevation view of the vent for vehicle heating and air conditioning systems of FIG. 1;
FIG. 5 is rear elevation view of the vent for vehicle heating and air conditioning systems of FIG. 1;
FIG. 6 is a top elevation view of the vent for vehicle heating and air conditioning systems of FIG. 1; and,
FIG. 7 is a bottom elevation view of the vent for vehicle heating and air conditioning systems of FIG. 1.

1 Claim, 2 Drawing Sheets



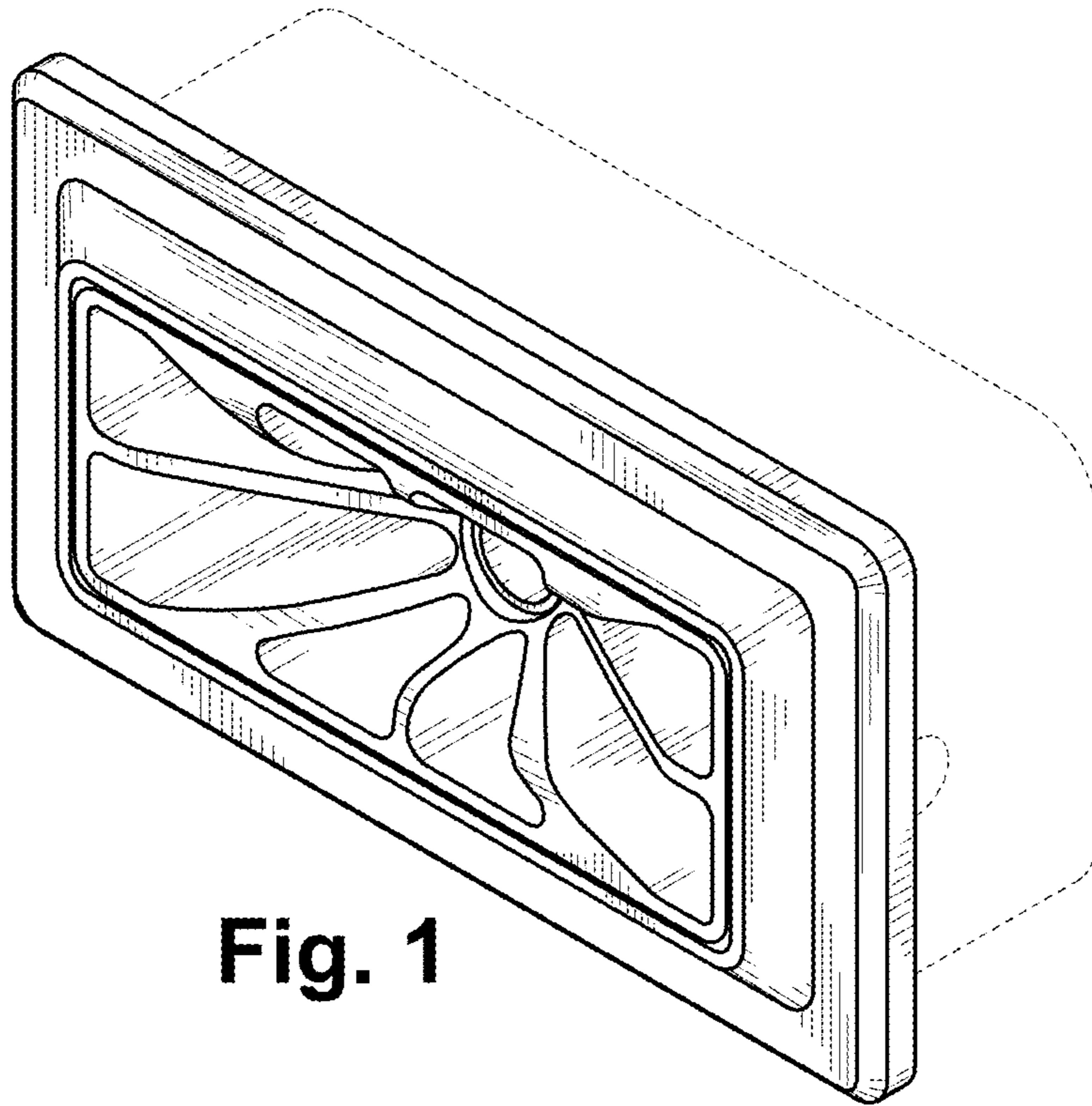


Fig. 1

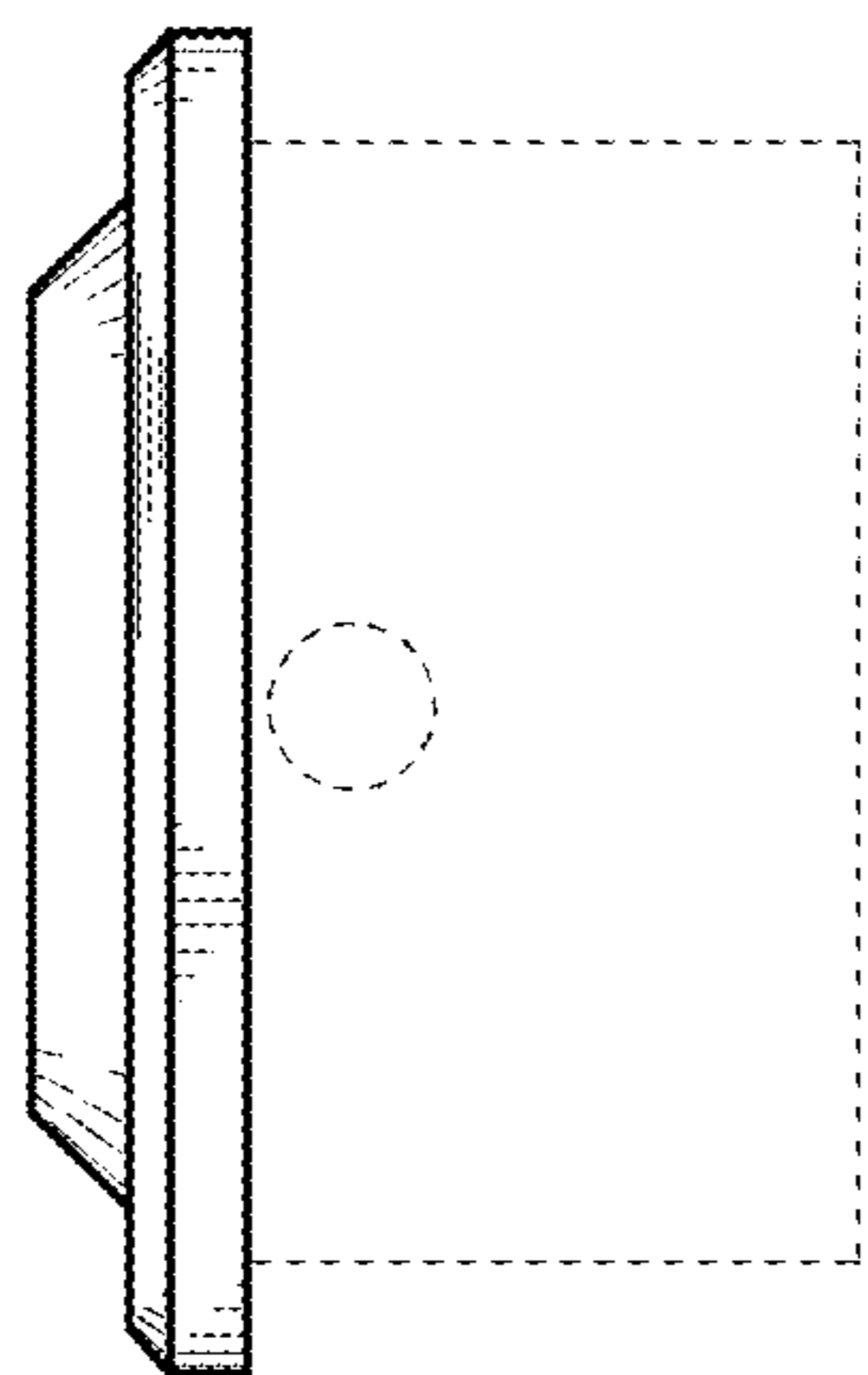


Fig. 2

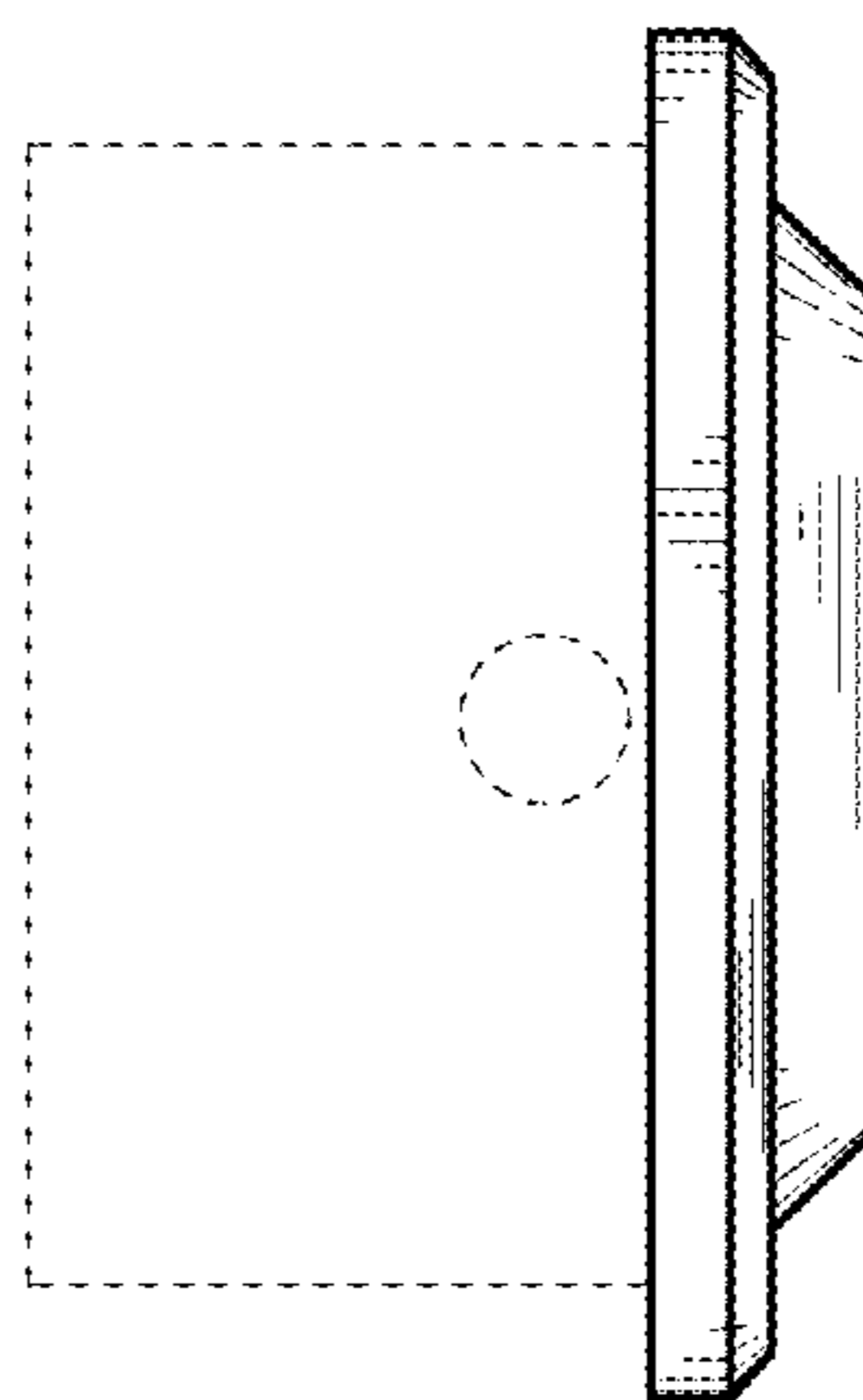


Fig. 3

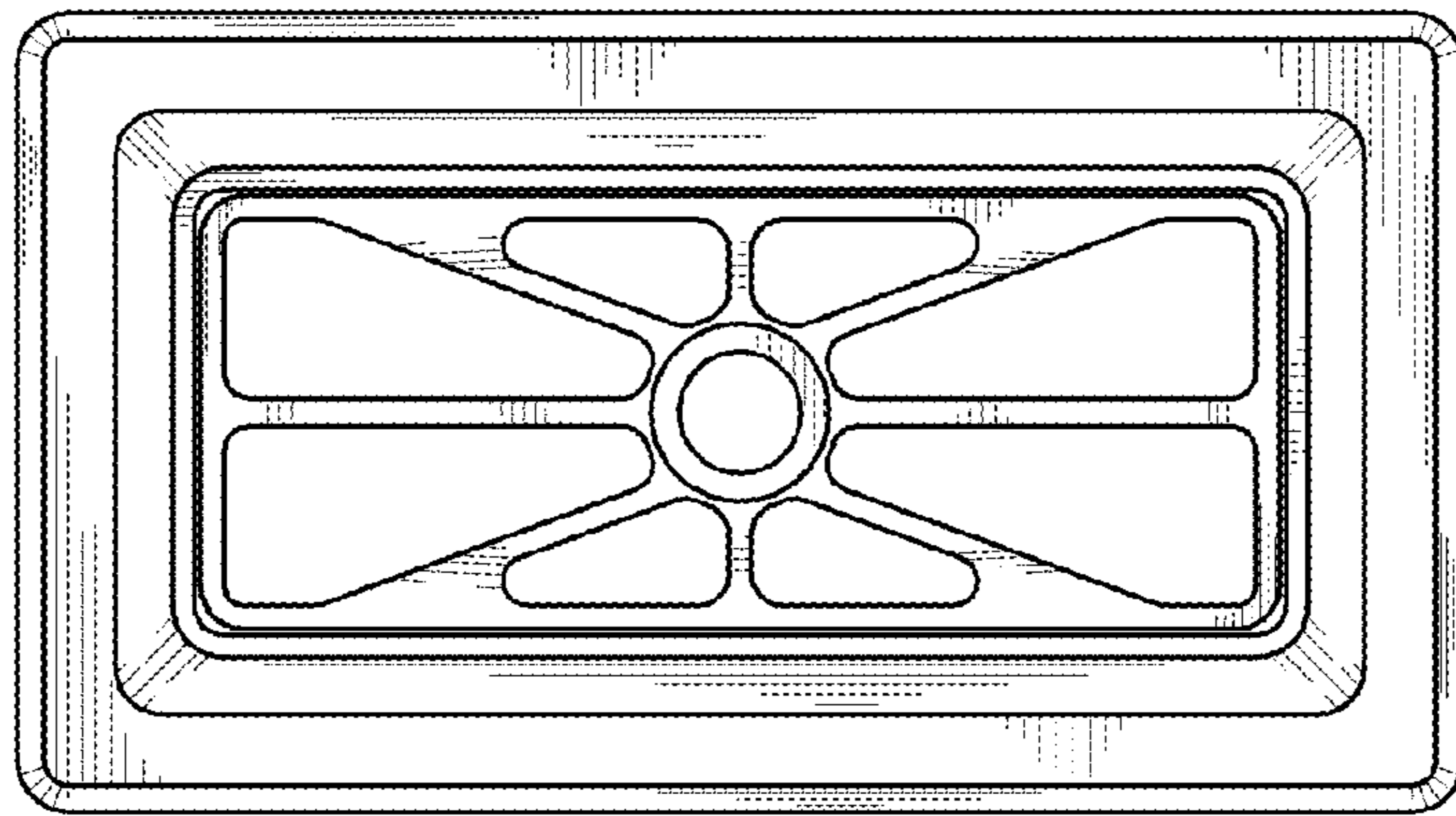


Fig. 4

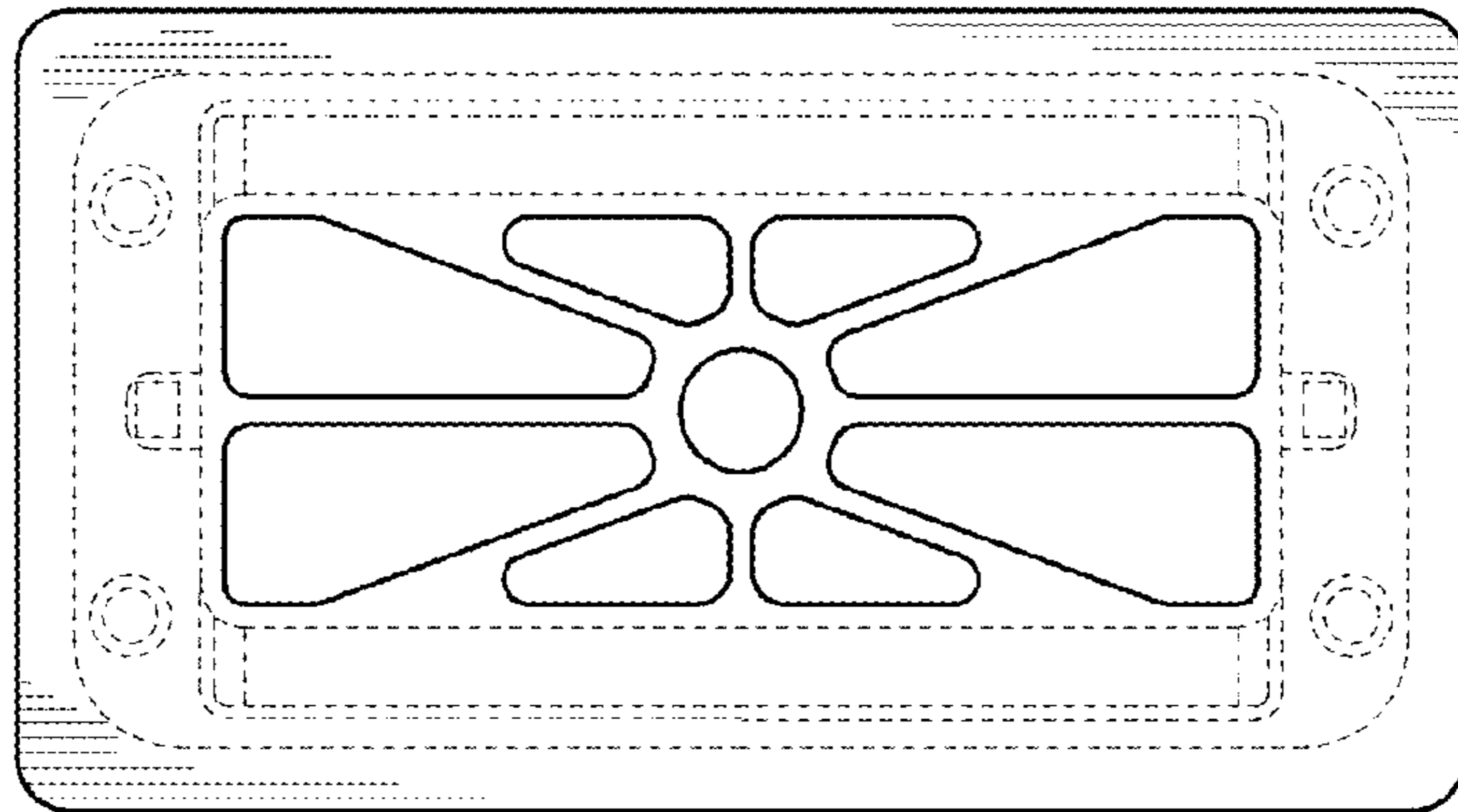


Fig. 5

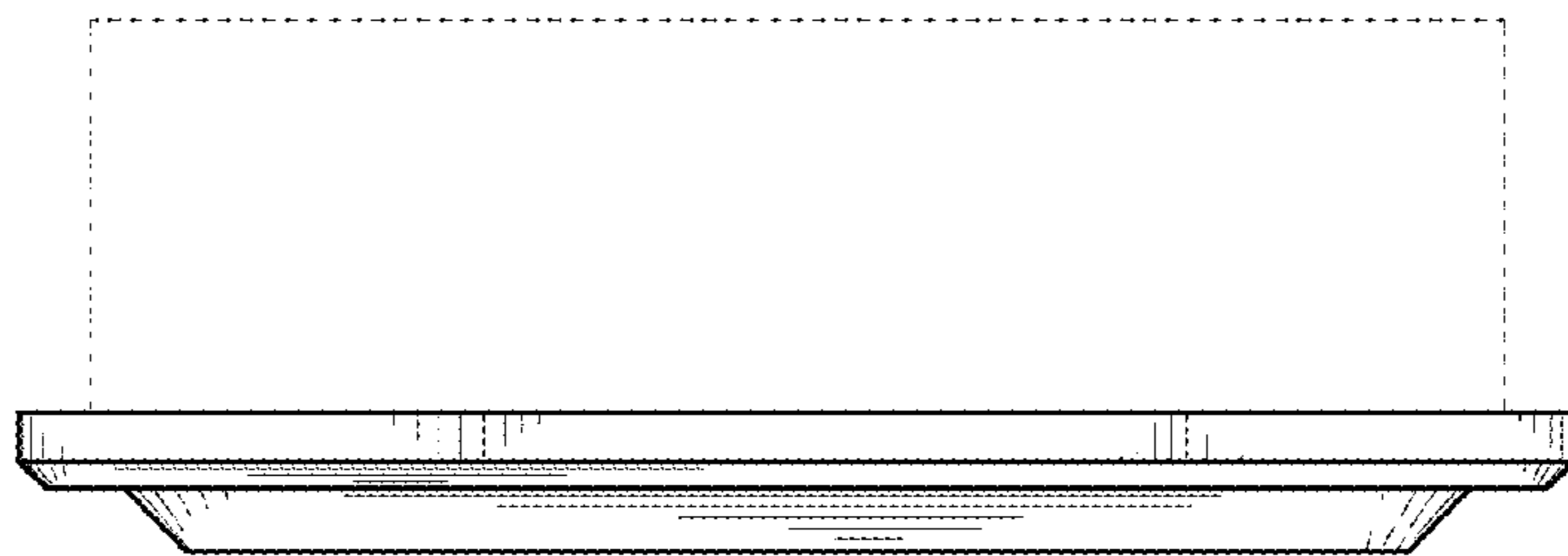


Fig. 6



Fig. 7