



US00D965753S

(12) **United States Design Patent**
Zhang

(10) **Patent No.:** **US D965,753 S**

(45) **Date of Patent:** **** Oct. 4, 2022**

(54) **SHOWER ARM WITH DIVERTER**

(71) Applicant: **Haote Zhang**, Wenzhou (CN)

(72) Inventor: **Haote Zhang**, Wenzhou (CN)

(**) Term: **15 Years**

(21) Appl. No.: **29/864,427**

(22) Filed: **May 27, 2022**

(51) **LOC (13) Cl.** **23-06**

(52) **U.S. Cl.**
USPC **D23/304; D8/396**

(58) **Field of Classification Search**
USPC D8/321.373, 380, 382, 394, 396, 499;
D23/303–304

CPC E03C 1/06; B05B 15/60; B05B 15/62;
B05B 15/63; B05B 15/65

See application file for complete search history.

(56) **References Cited**

U.S. PATENT DOCUMENTS

D341,191 S *	11/1993	Klose	D8/373
5,632,049 A *	5/1997	Chen	E03C 1/066 248/124.2
D493,363 S *	7/2004	Eason	D8/396
D517,179 S *	3/2006	Chan	D23/304
D542,393 S *	5/2007	Haug	D23/304
D692,111 S *	10/2013	Wagner	D24/176
D755,940 S	5/2016	Schulze		
D841,786 S *	2/2019	Hsieh	D23/304
D925,014 S *	7/2021	Eads	D23/304
D925,017 S *	7/2021	Liu	D23/304
D960,328 S *	8/2022	Guindi	D23/257
2006/0242759 A1 *	11/2006	Tsai	E03C 1/06 4/605
2009/0265848 A1 *	10/2009	Tsai	E03C 1/066 4/615
2009/0276953 A1 *	11/2009	Hsu	E03C 1/0408 239/447

2009/0277522 A1* 11/2009 Huang E03C 1/0408
137/876

2019/0366372 A1* 12/2019 Fan B05B 12/0024
2020/0332505 A1* 10/2020 Ling E03C 1/06

OTHER PUBLICATIONS

“G-Promise Solid Metal Shower Arm Diverter”, Jun. 19, 2020, Amazon.com, site visited Aug. 13, 2022: <https://www.amazon.com/G-promise-Handshower-Showerhead-Universal-Replacement/dp/B08BHTDB81> (Year: 2020).*

“Shower Arm Diverter”, Oct. 11, 2020, Amazon.com, site visited Aug. 13, 2022: <https://www.amazon.com/dp/B08L1RP3B7> (Year: 2020).*

* cited by examiner

Primary Examiner — Jack Reickel

Assistant Examiner — Michael A Kervin

(57) **CLAIM**

The ornamental design for a shower arm with diverter, as shown and described.

DESCRIPTION

FIG. 1 is a perspective view of a shower arm with diverter showing my new design;

FIG. 2 is another perspective view thereof;

FIG. 3 is a front elevational view thereof;

FIG. 4 is a rear elevational view thereof;

FIG. 5 is a left side elevational view thereof;

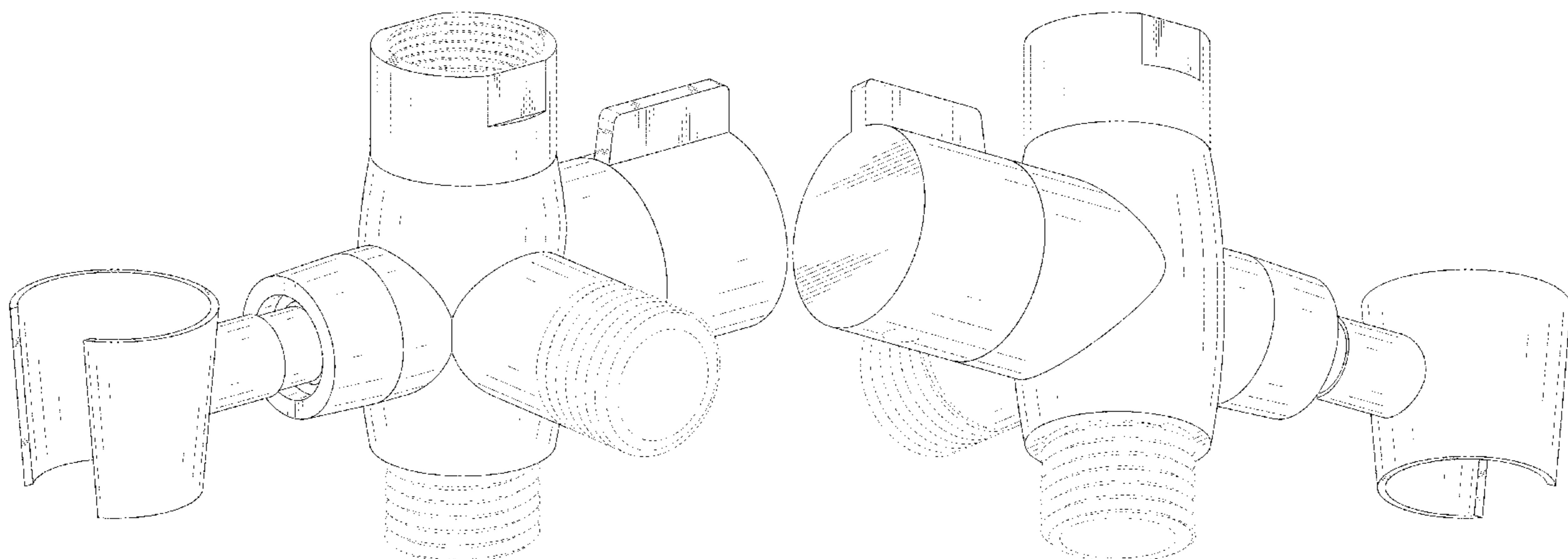
FIG. 6 is a right side elevational view thereof;

FIG. 7 is a top plan view thereof; and,

FIG. 8 is a bottom plan view thereof.

The broken lines in the drawings depict portions of the shower arm with diverter that form no part of the claimed design.

1 Claim, 8 Drawing Sheets



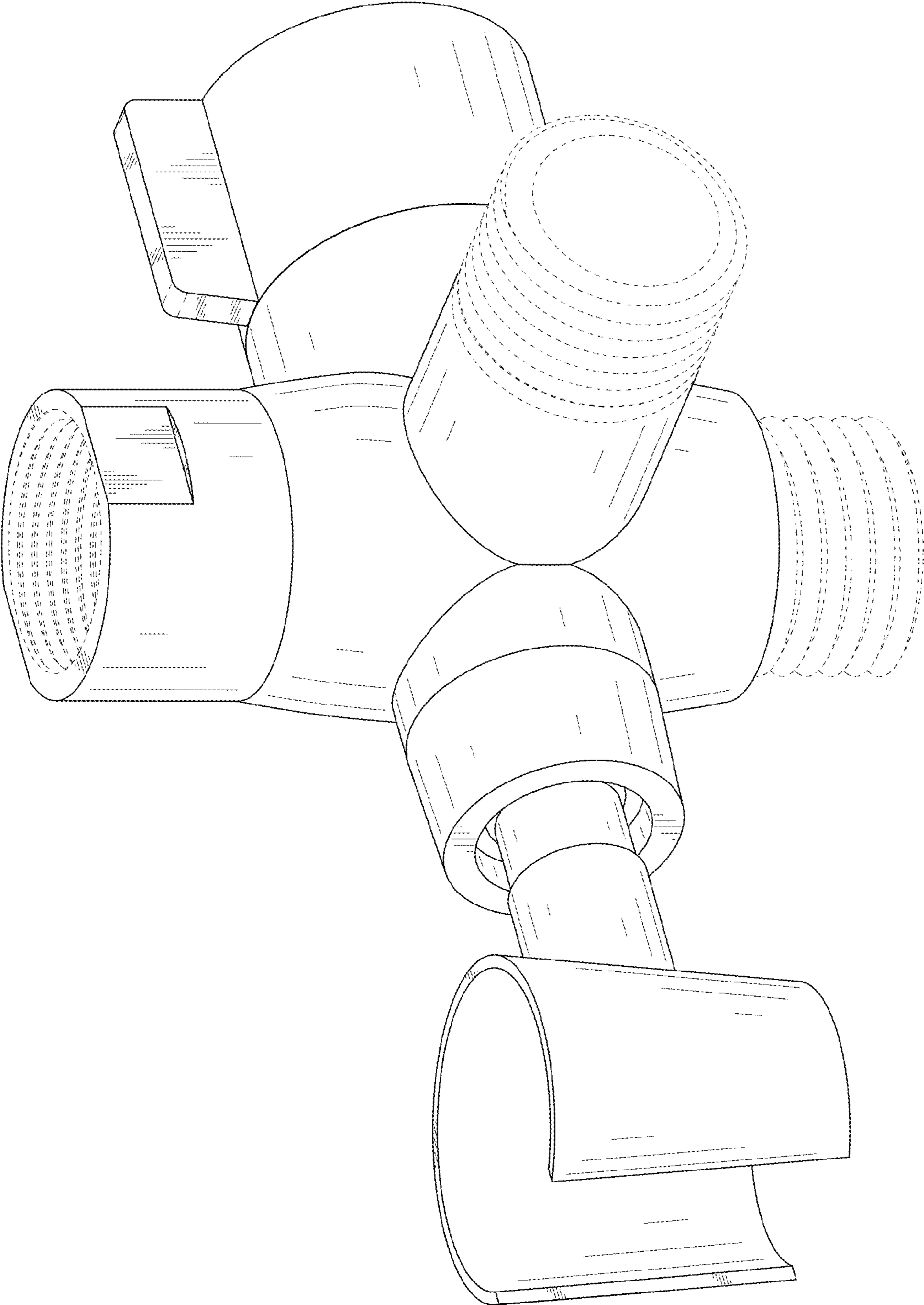


FIG. 1

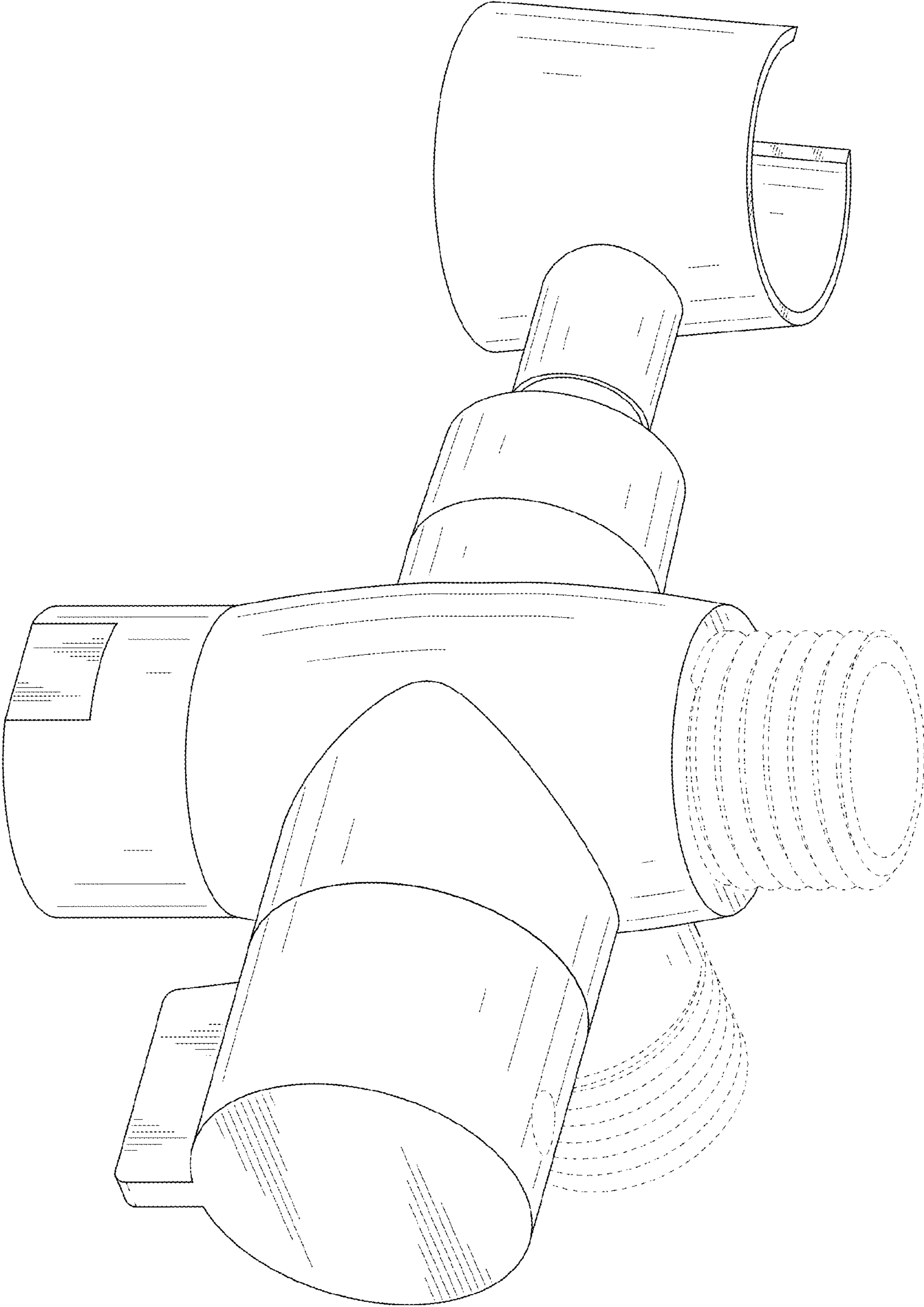


FIG. 2

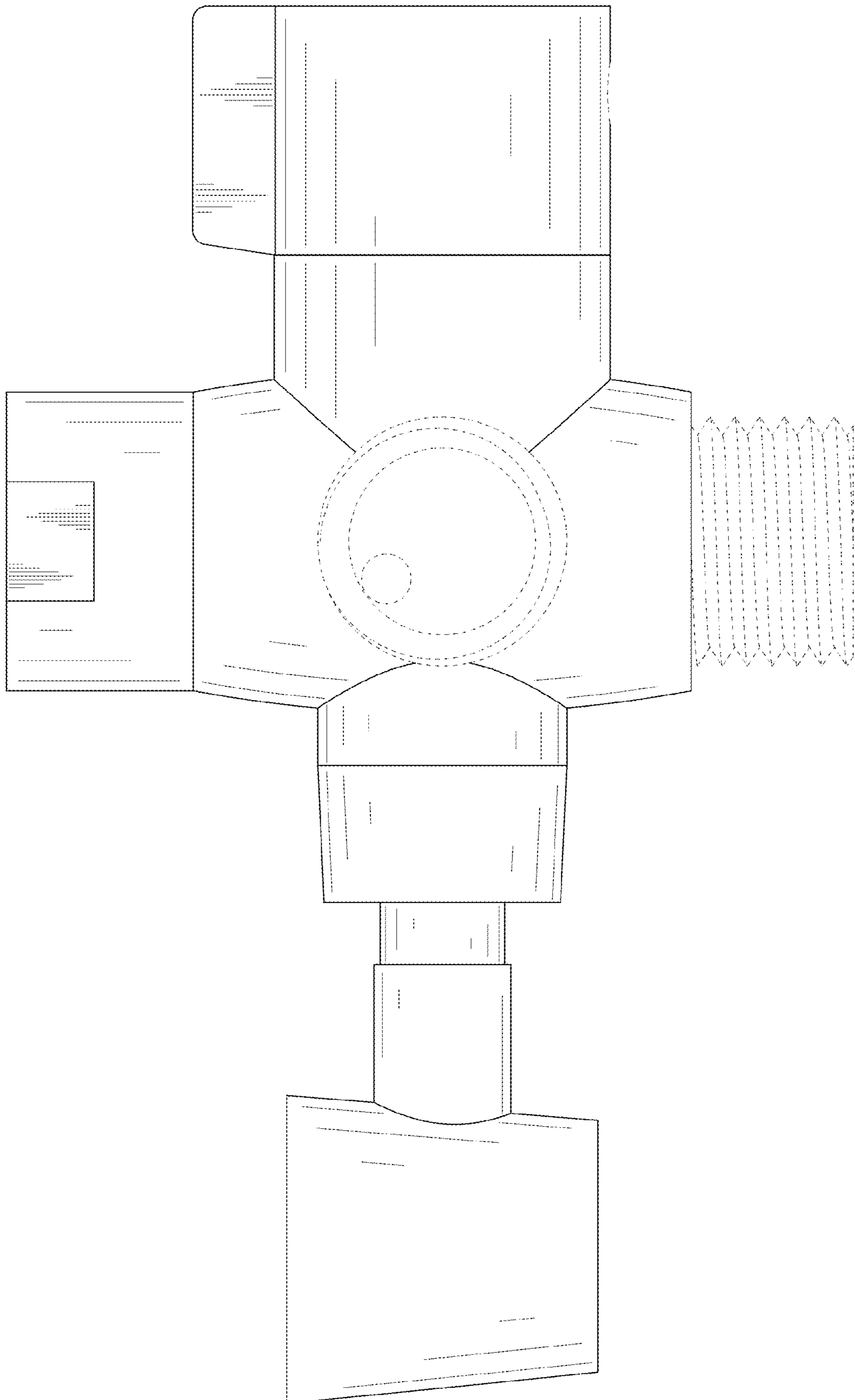


FIG. 3

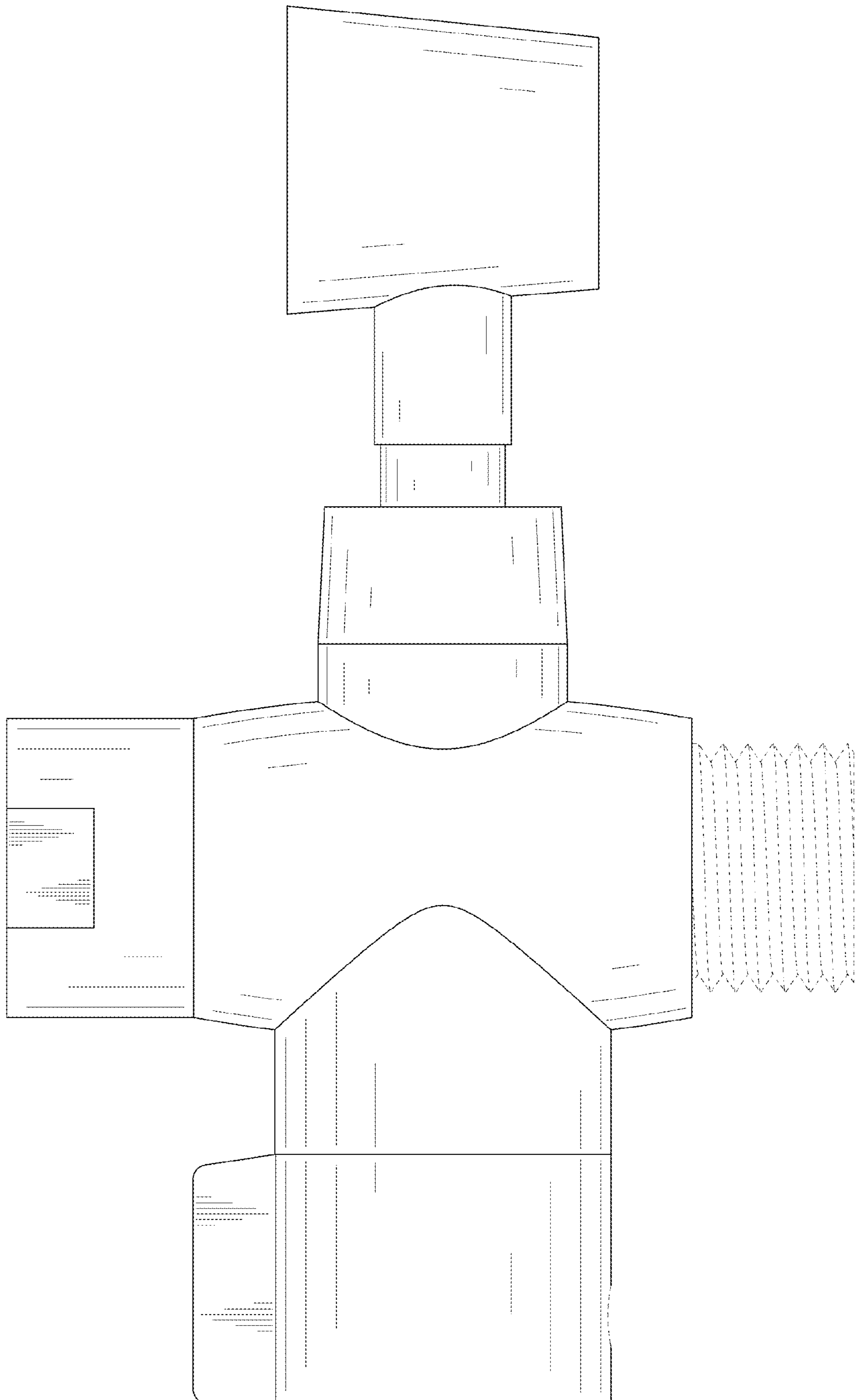


FIG. 4

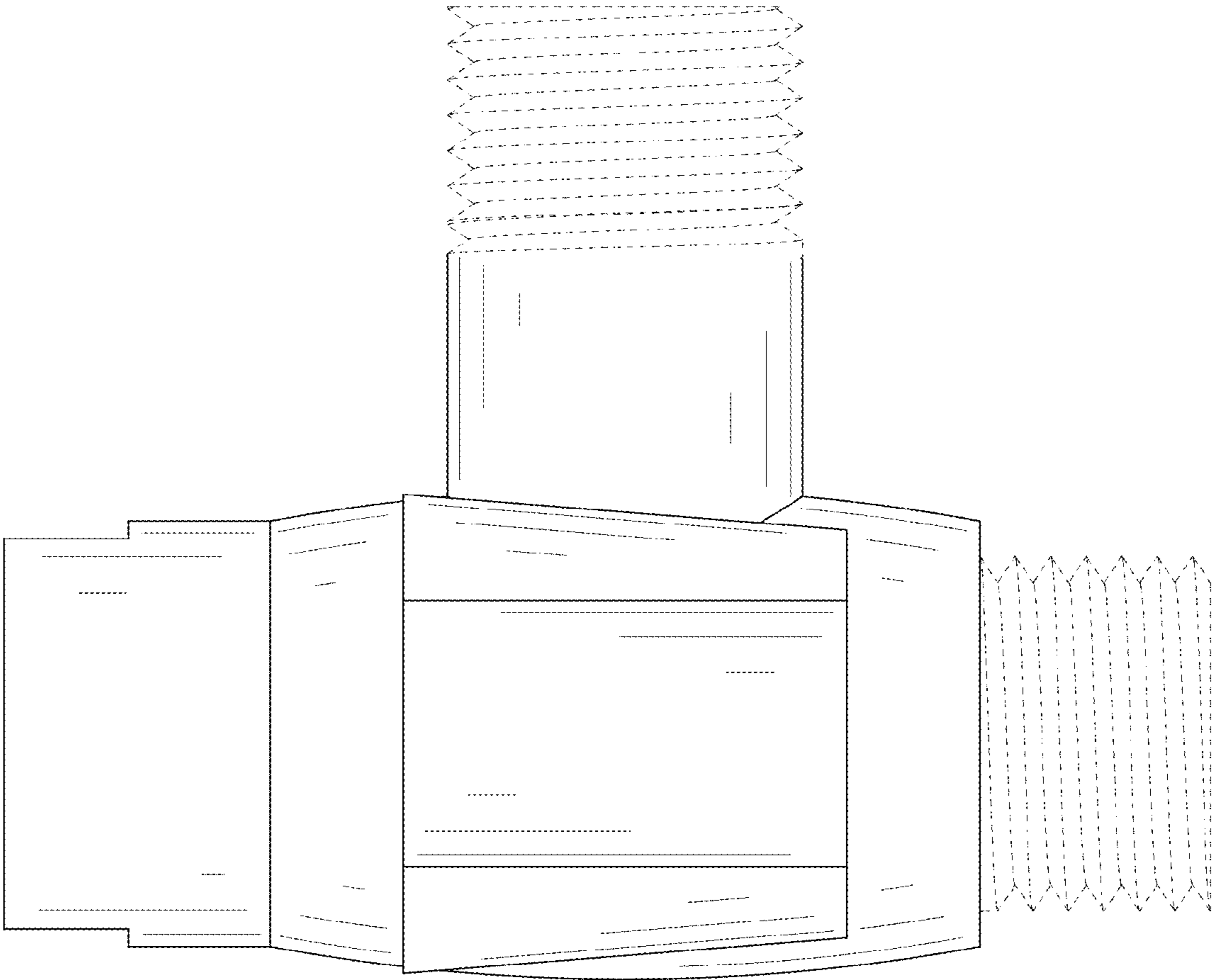


FIG. 5

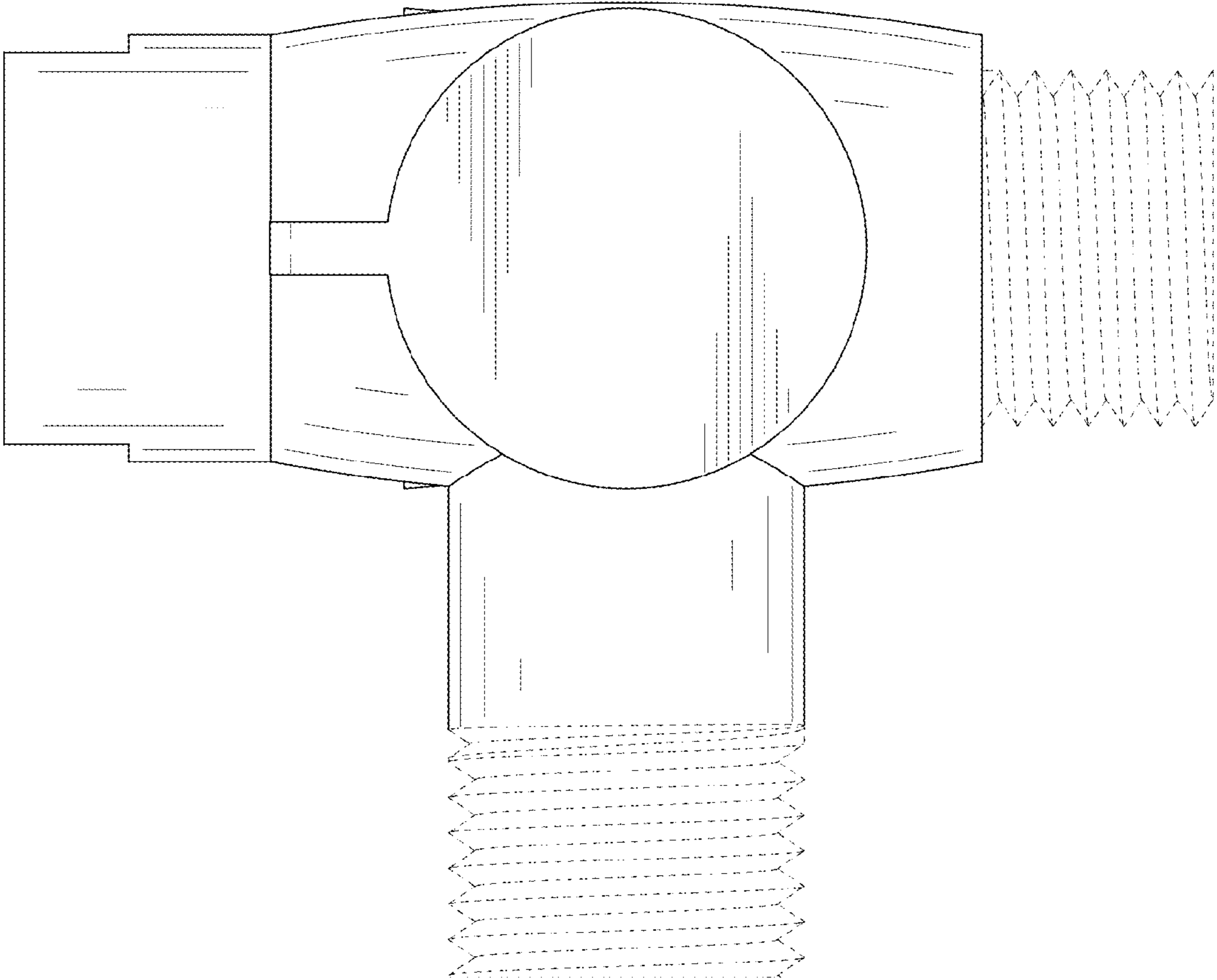


FIG. 6

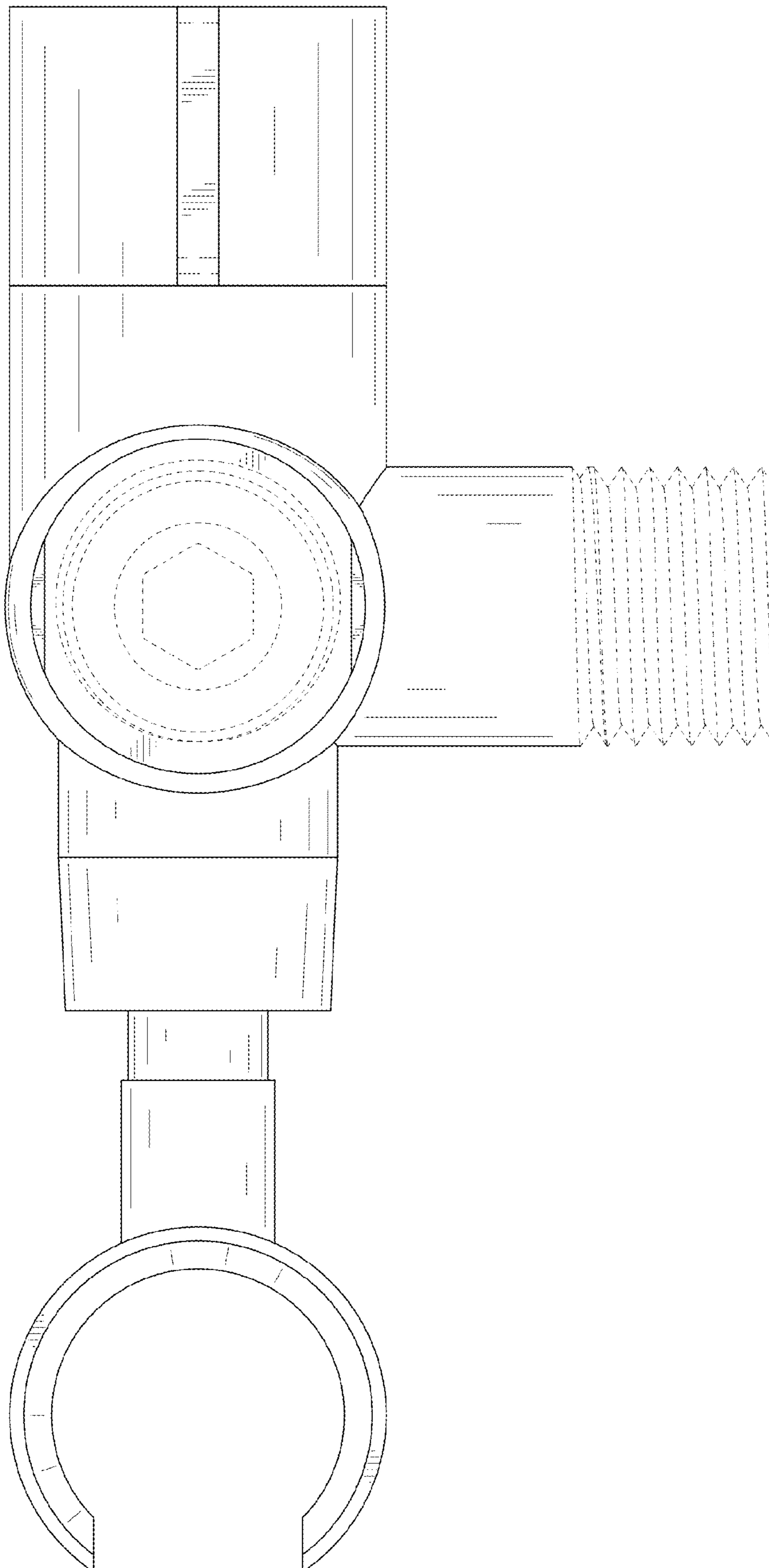


FIG. 7

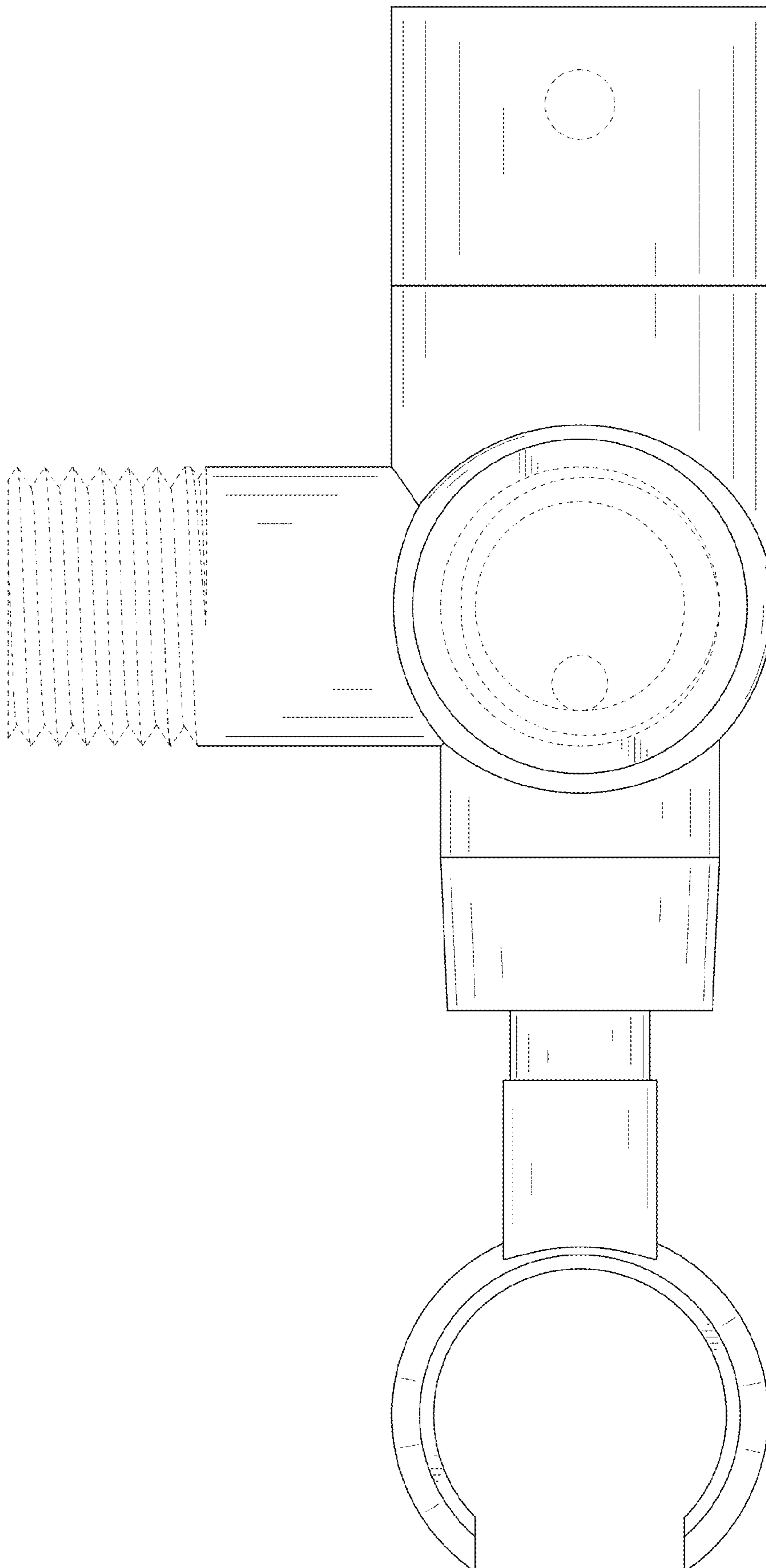


FIG. 8