



US00D965752S

(12) **United States Design Patent**
Lou

(10) **Patent No.:** **US D965,752 S**
(45) **Date of Patent:** **** Oct. 4, 2022**

(54) **PORTABLE FOLDABLE BATHTUB**

(71) Applicant: **Yangzhao Lou**, Zhejiang (CN)

(72) Inventor: **Yangzhao Lou**, Zhejiang (CN)

(**) Term: **15 Years**

(21) Appl. No.: **29/769,157**

(22) Filed: **Feb. 3, 2021**

(51) **LOC (13) Cl.** **23-02**

(52) **U.S. Cl.**
USPC **D23/277**; D21/815; D25/2

(58) **Field of Classification Search**
USPC D23/275-277, 280.1, 303-306;
D24/204-205; D21/815; D25/2
See application file for complete search history.

(56) **References Cited**

U.S. PATENT DOCUMENTS

3,439,362	A *	4/1969	Goettl	E04H 4/0031
					D25/2
3,874,132	A *	4/1975	Mendelow	E04H 4/0018
					D25/2
4,847,926	A *	7/1989	Laputka	E04H 4/005
					D25/2
D334,238	S *	3/1993	Spedini	D25/2
D714,427	S *	9/2014	Oliveira	D23/280.1
9,049,968	B2 *	6/2015	Ellison	A47K 3/064
D874,021	S *	1/2020	Huang	D25/2
2018/0255978	A1 *	9/2018	Ploski	A47K 3/064

OTHER PUBLICATIONS

Ultratech Economy Model Berm: 10 ft Wx10 ft L, 748 gal Spill Capacity, gal., Copolymer 2000, Black, https://www.grainger.com/product/20JJ71?ef_id=EA1alQobChMIiY2Gwl6y-AIVMPLjBx1JkwU8EAQYAIABEgJ9_vD_BwE:G:s&s_kwid=AL!2966!3!496359977977!!!g!1713602127327!&gucid=N:N:PS:Paid:GGL:CSM-2295:4P7A1P:20501231&gclid=EA1alQobChMIiY2Gwl6y-AIVMPLjBx1JkwU8EAQYAIABEgJ9_vD_BwE&gclidsrc=aw.ds (Year: 2022).*

* cited by examiner

Primary Examiner — Robert A Delehanty
(74) *Attorney, Agent, or Firm* — ScienBiziP, P.C.

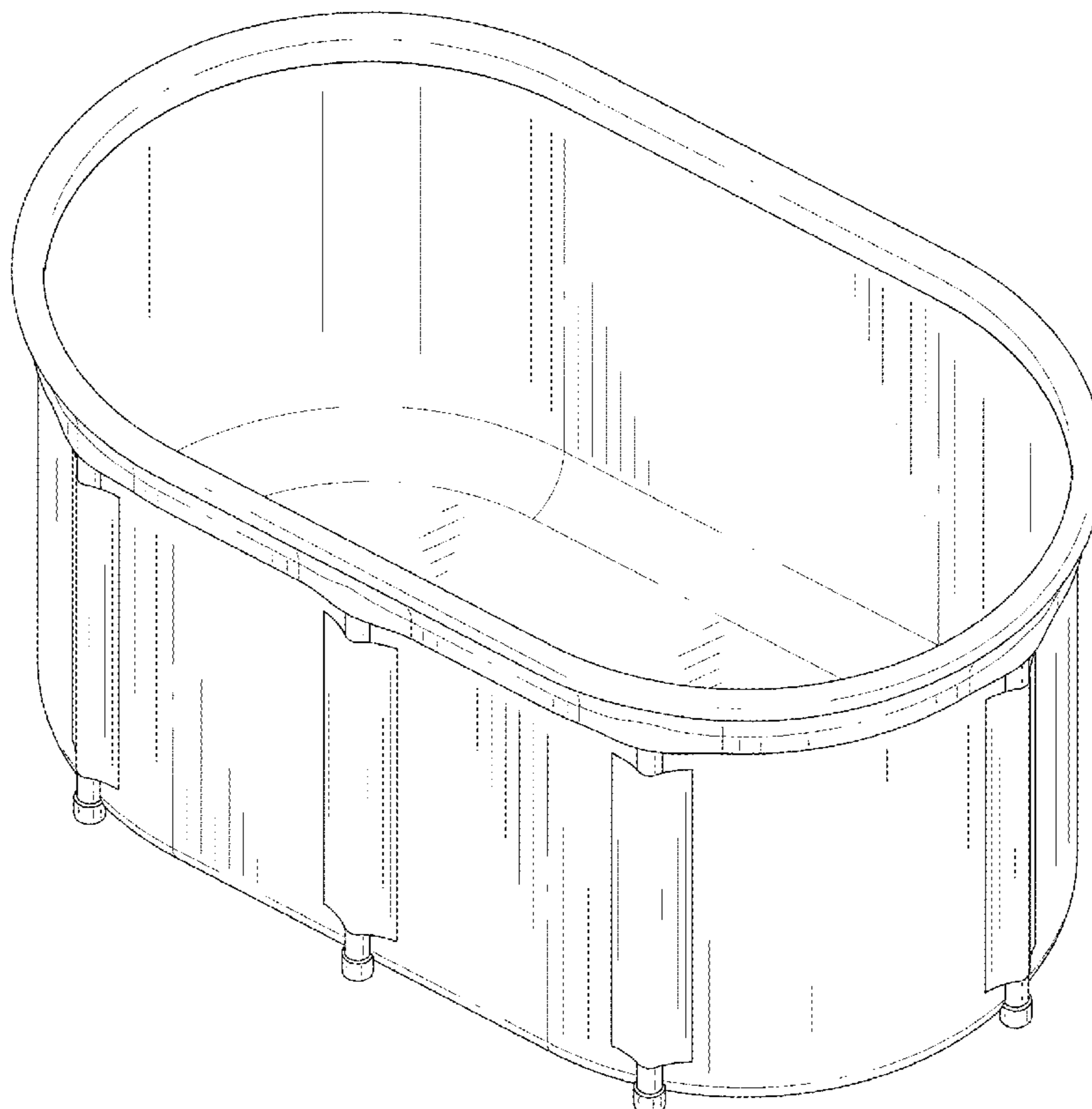
(57) **CLAIM**

The ornamental design for a portable foldable bathtub, as shown and described.

DESCRIPTION

FIG. 1 is a top perspective view of a portable foldable bathtub, showing my design.
FIG. 2 is a front elevation view thereof.
FIG. 3 is a rear elevation view thereof.
FIG. 4 is a left side elevation thereof.
FIG. 5 is a right side elevation thereof.
FIG. 6 is a top plan view thereof; and,
FIG. 7 is a bottom plan view thereof.

1 Claim, 7 Drawing Sheets



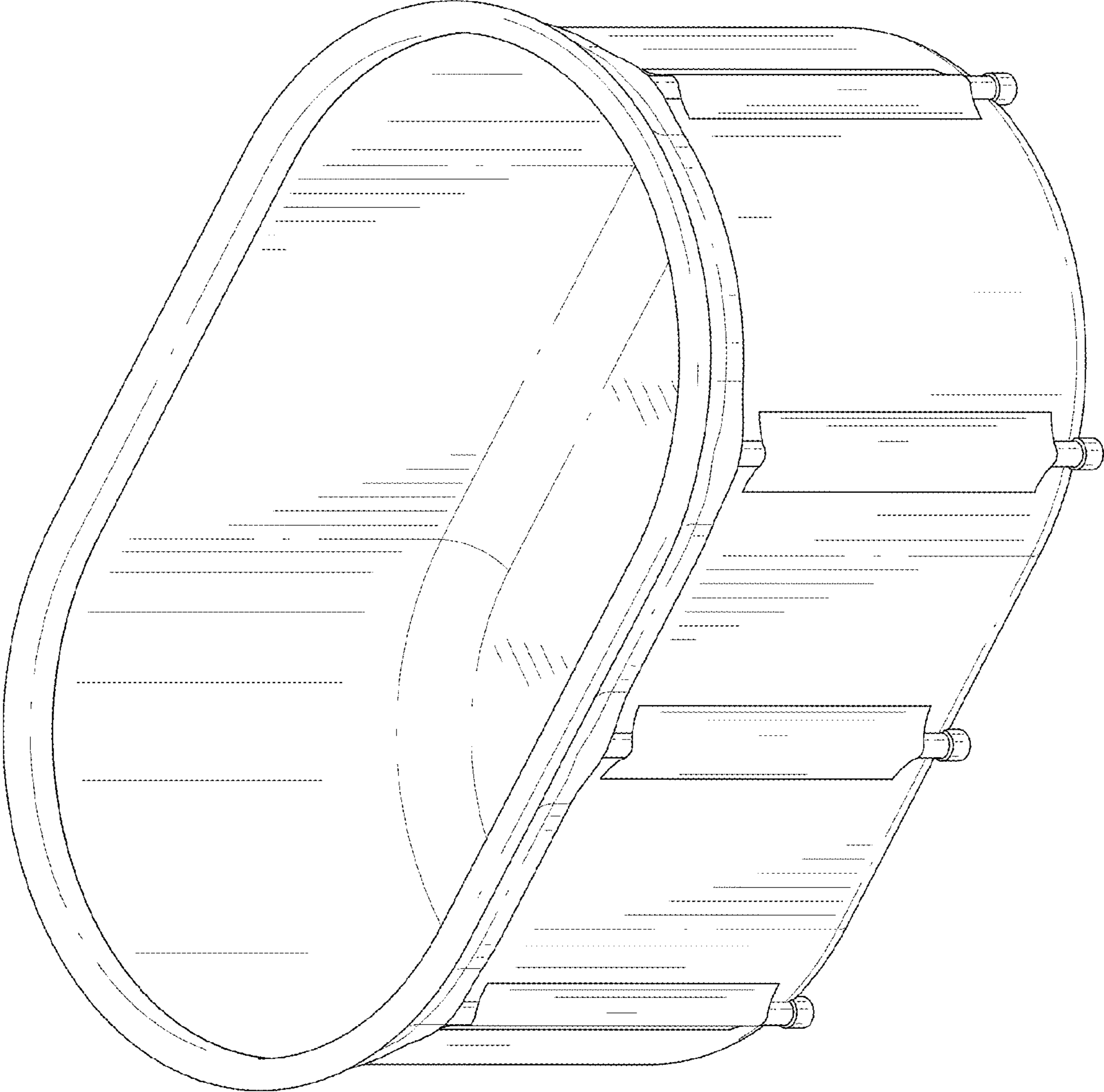


FIG.1

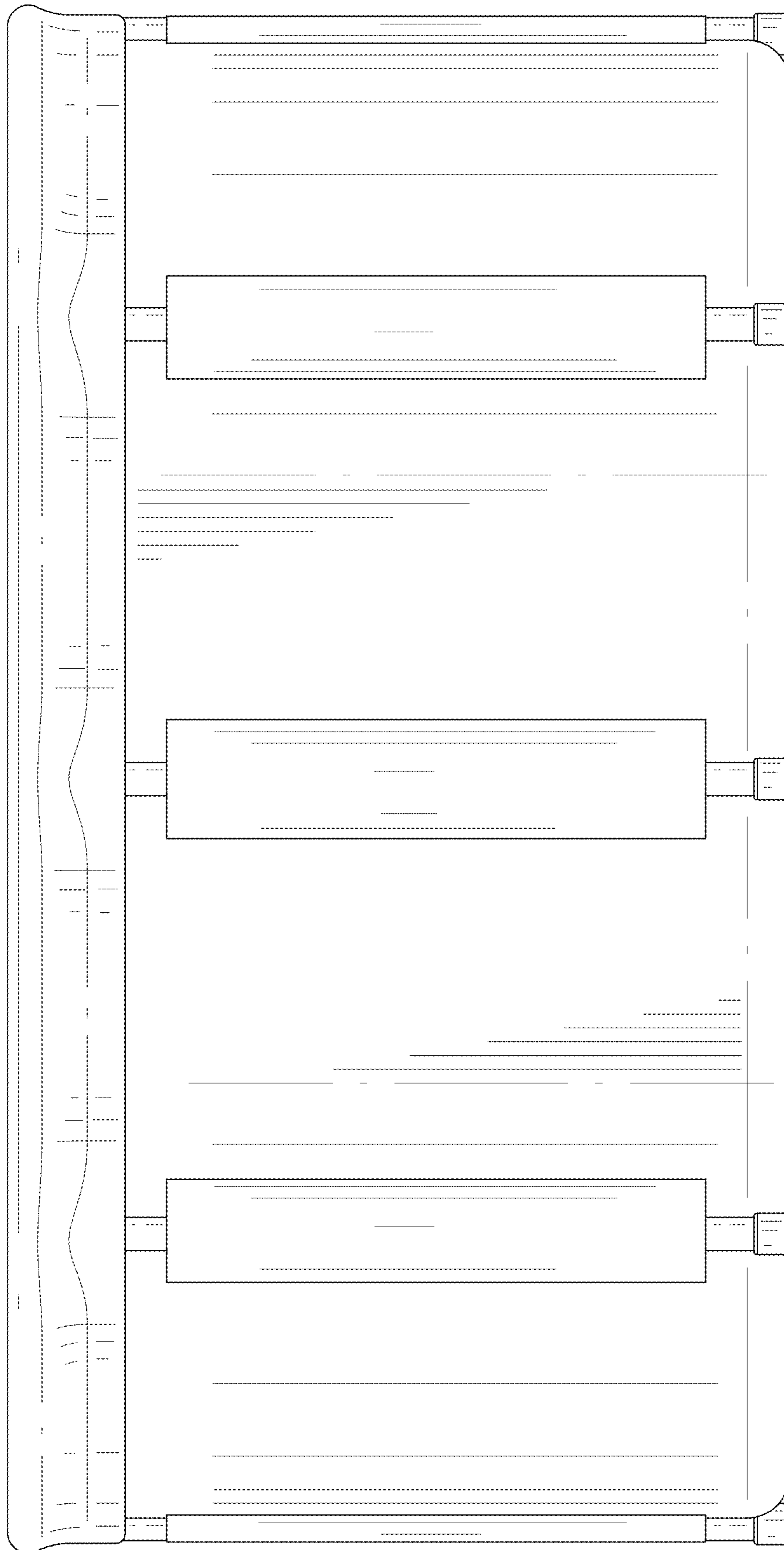


FIG.2

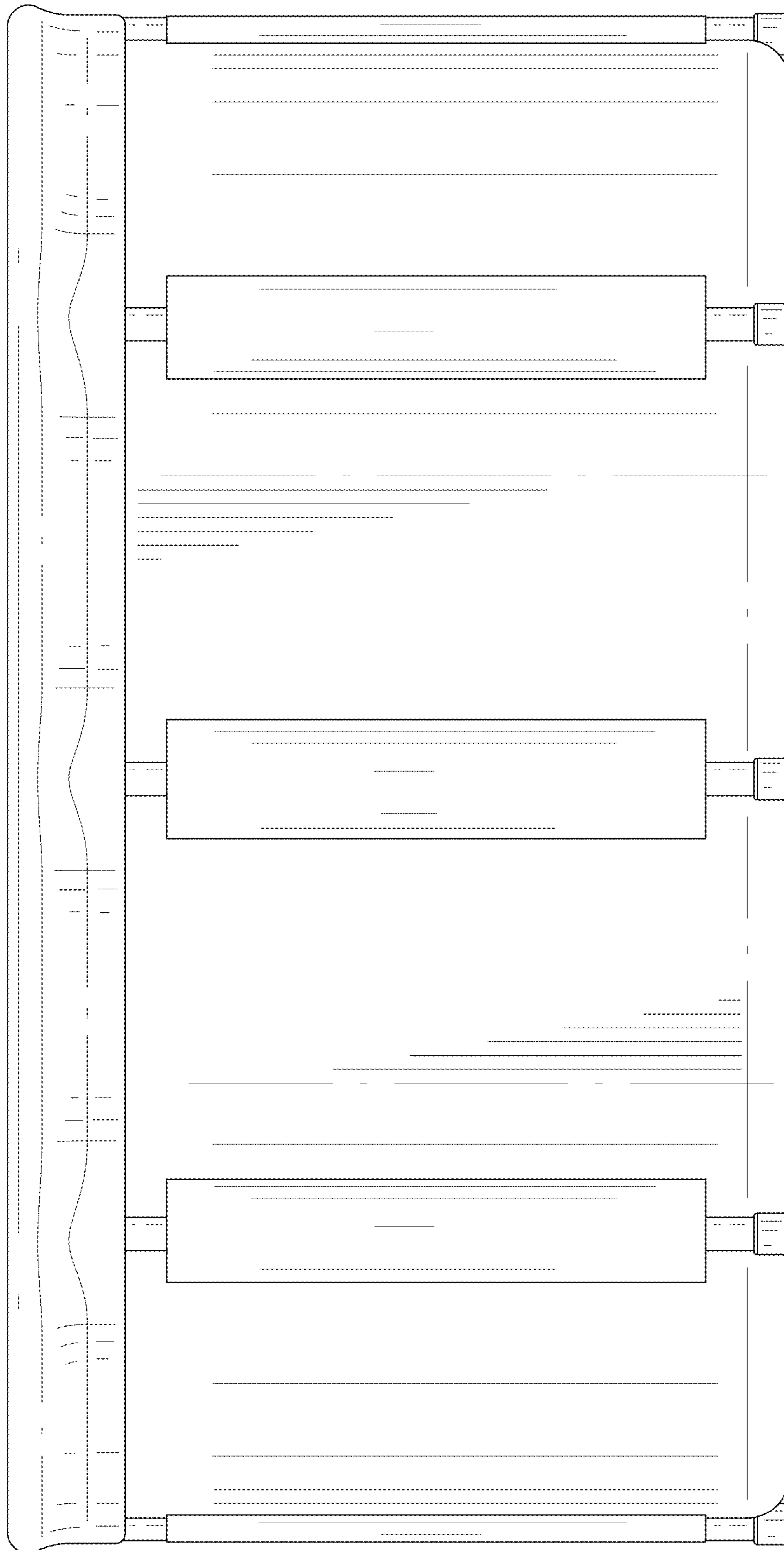


FIG.3

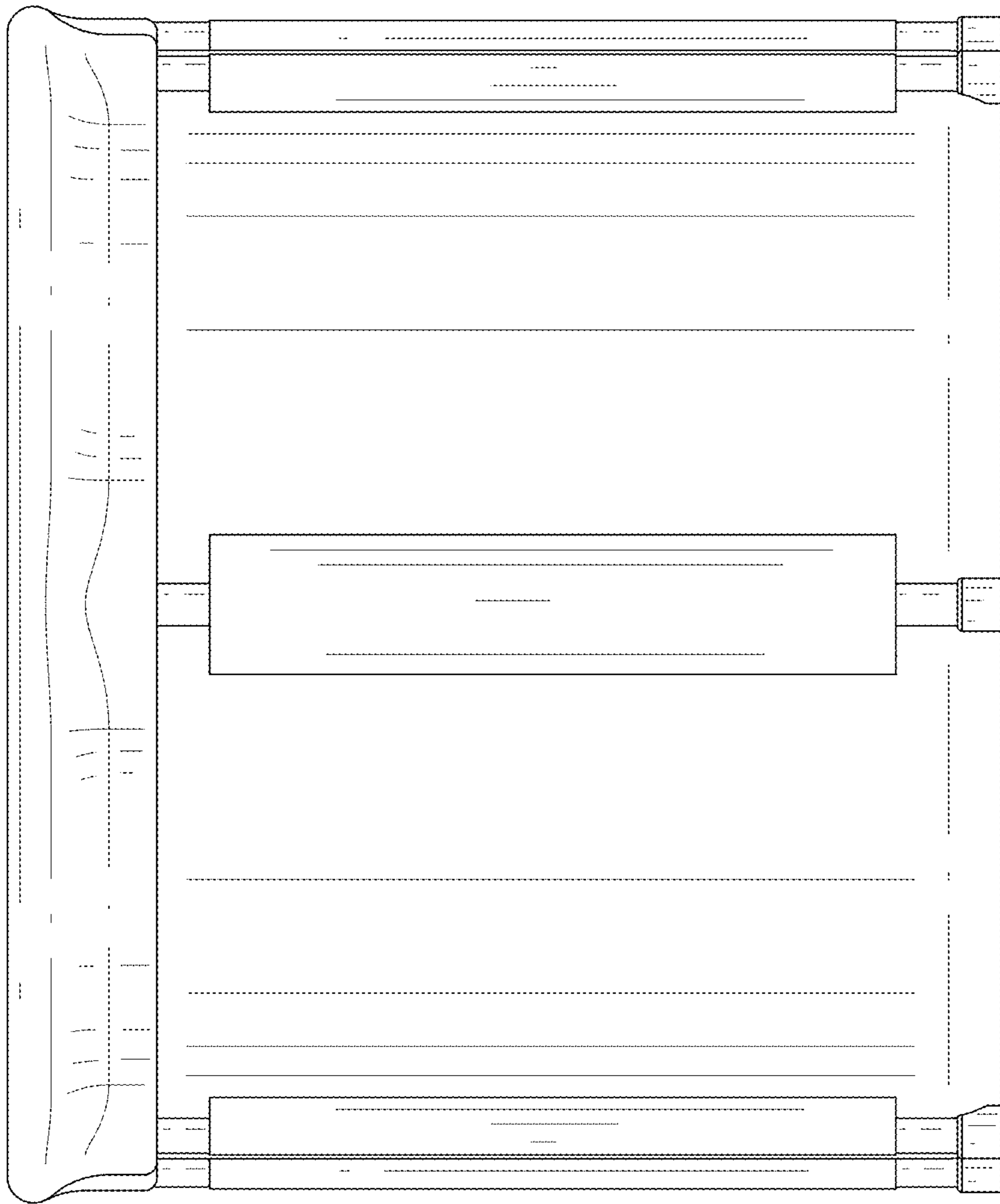


FIG.4

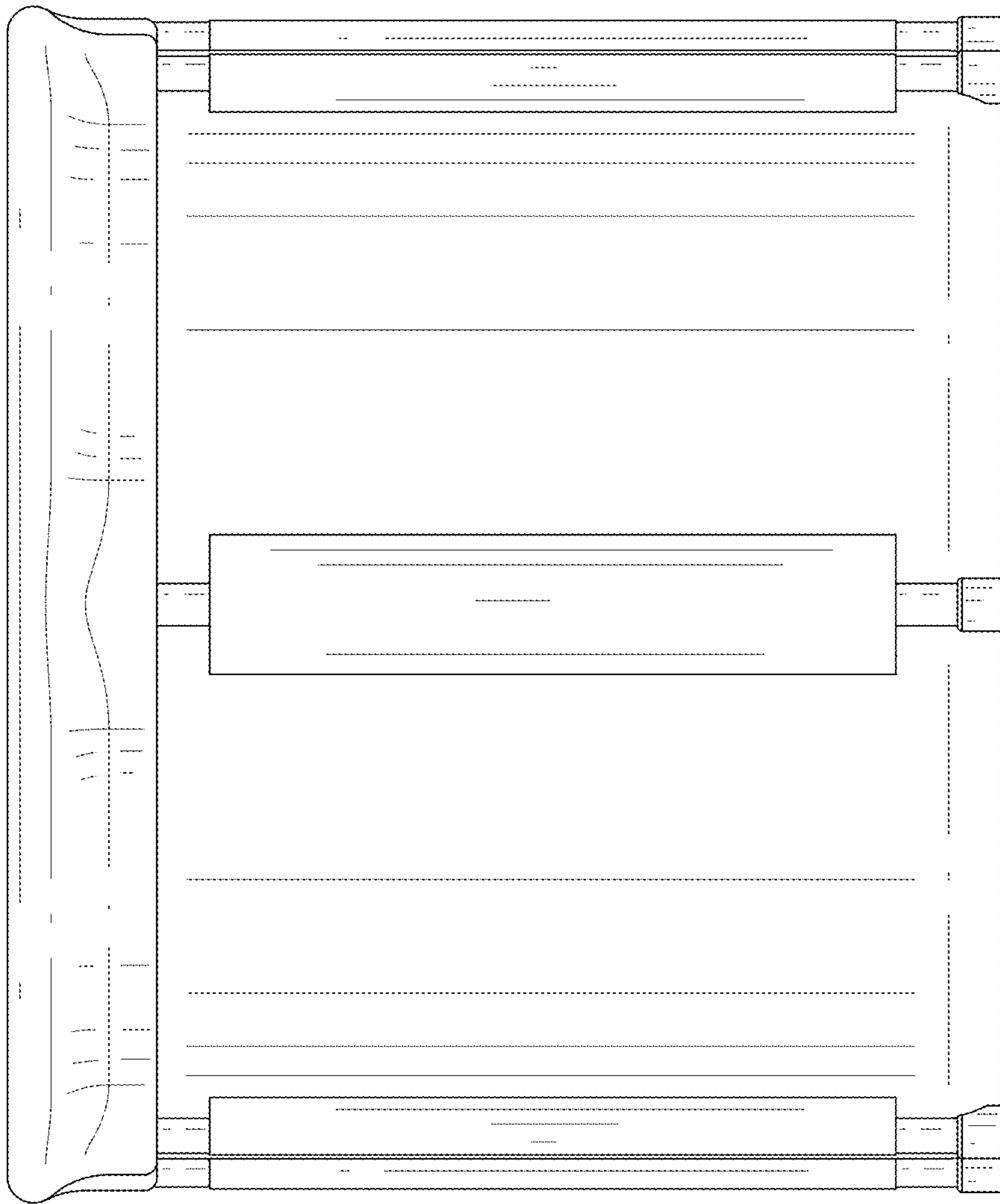


FIG. 5

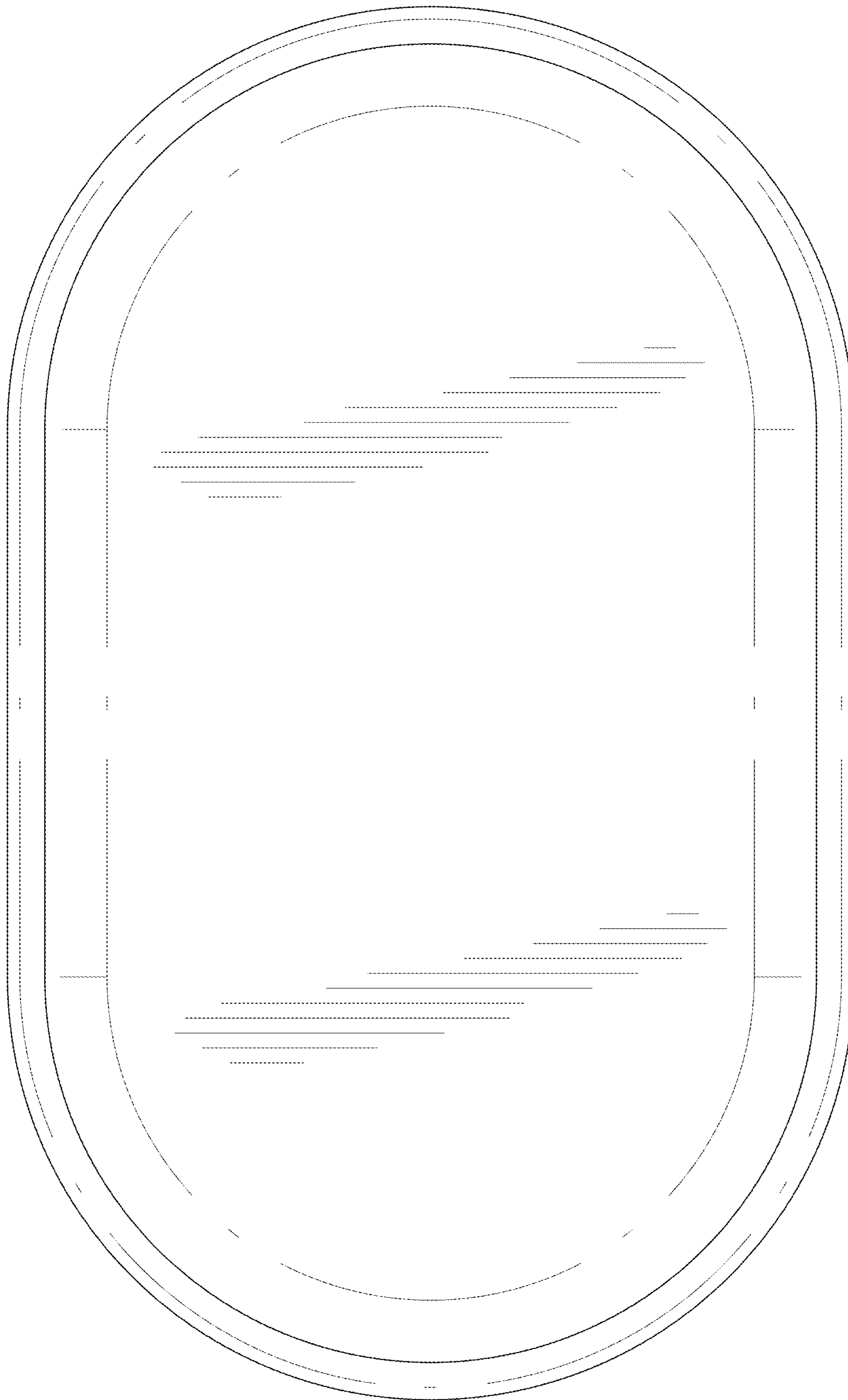


FIG. 6

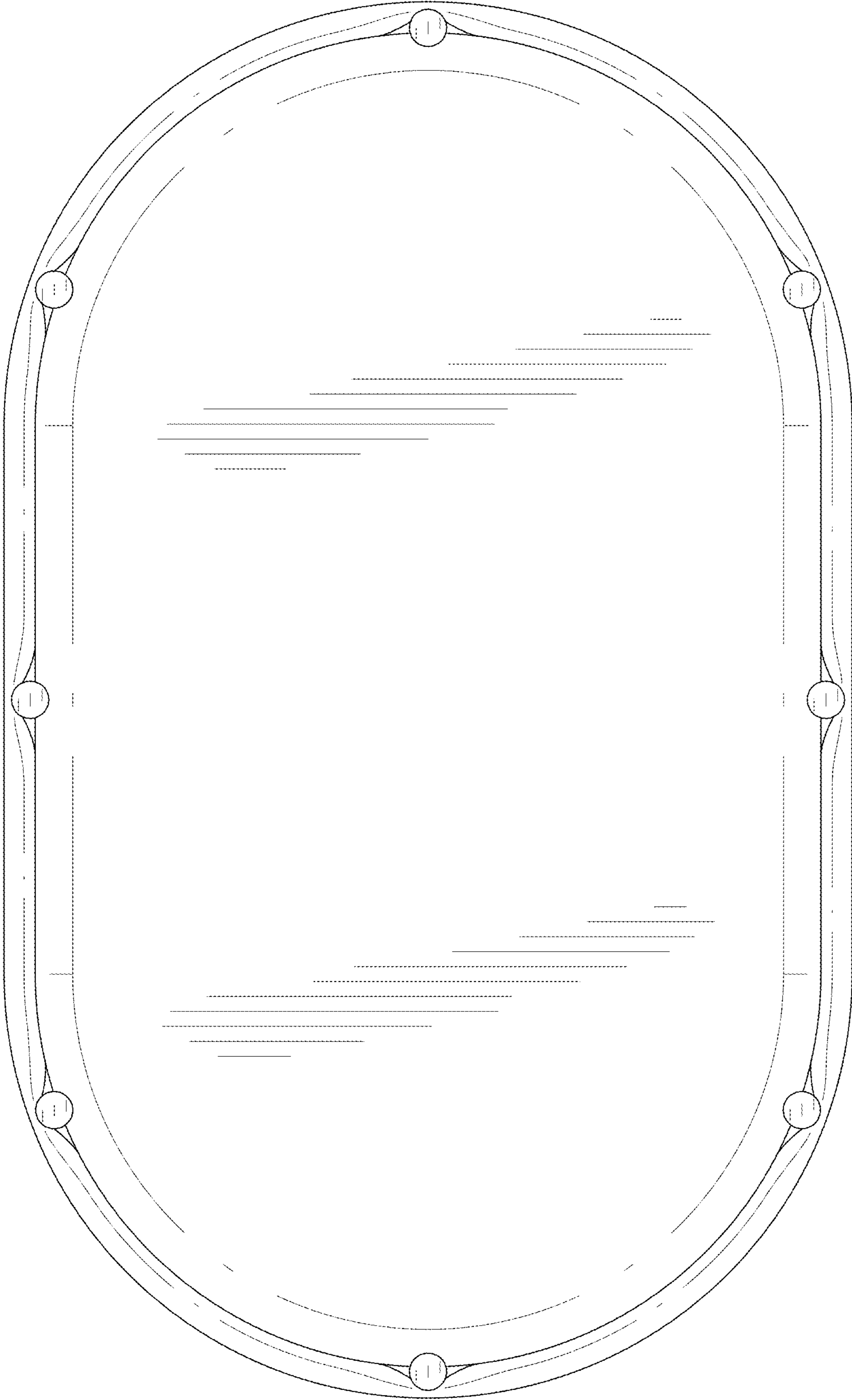


FIG. 7