



US00D965751S

(12) **United States Design Patent** (10) **Patent No.:** **US D965,751 S**  
**Lou** (45) **Date of Patent:** **\*\* Oct. 4, 2022**

(54) **PORTABLE FOLDABLE BATHTUB**

(71) Applicant: **Yangzhao Lou**, Zhejiang (CN)

(72) Inventor: **Yangzhao Lou**, Zhejiang (CN)

(\*\*) Term: **15 Years**

(21) Appl. No.: **29/769,156**

(22) Filed: **Feb. 3, 2021**

(51) **LOC (13) Cl.** ..... **23-02**

(52) **U.S. Cl.**  
USPC ..... **D23/277**; D21/815; D25/2

(58) **Field of Classification Search**  
USPC ..... D23/275–277, 280.1, 303–306;  
D24/204–205; D21/815; D25/2  
See application file for complete search history.

(56) **References Cited**

**U.S. PATENT DOCUMENTS**

|              |      |         |           |       |             |
|--------------|------|---------|-----------|-------|-------------|
| 3,439,362    | A *  | 4/1969  | Goettl    | ..... | E04H 4/0031 |
|              |      |         |           |       | D25/2       |
| 4,847,926    | A *  | 7/1989  | Laputka   | ..... | E04H 4/005  |
|              |      |         |           |       | D25/2       |
| D334,238     | S *  | 3/1993  | Spedini   | ..... | D25/2       |
| D561,309     | S *  | 2/2008  | Talocci   | ..... | D23/277     |
| D583,449     | S *  | 12/2008 | Daikubara | ..... | D23/304     |
| 9,049,968    | B2 * | 6/2015  | Ellison   | ..... | A47K 3/064  |
| D874,021     | S *  | 1/2020  | Huang     | ..... | D25/2       |
| 2018/0255978 | A1 * | 9/2018  | Ploski    | ..... | A47K 3/064  |

**OTHER PUBLICATIONS**

ULTRATECH Economy Model Berm: 10 ft W × 10 ft L, 748 gal Spill Capacity, gal., Copolymer 2000, Black, [https://www.grainger.com/product/20JJ71?ef\\_id=EA1a1QobChMliY2Gwl6y-AIVMPLjBx1JkwU8EAQYAiABEgJ9\\_vD\\_BwE:G:s&s\\_kwid=AL!2966!3!496359977977!!!g!1713602127327!&gucid=N:N:PS:Paid:GGL:CSM-2295:4P7A1P:20501231&gclid=EA1a1QobChMliY2Gwl6y-AIVMPLjBx1JkwU8EAQYAiABEgJ9\\_vD\\_BwE&gclidsrc=aw.ds](https://www.grainger.com/product/20JJ71?ef_id=EA1a1QobChMliY2Gwl6y-AIVMPLjBx1JkwU8EAQYAiABEgJ9_vD_BwE:G:s&s_kwid=AL!2966!3!496359977977!!!g!1713602127327!&gucid=N:N:PS:Paid:GGL:CSM-2295:4P7A1P:20501231&gclid=EA1a1QobChMliY2Gwl6y-AIVMPLjBx1JkwU8EAQYAiABEgJ9_vD_BwE&gclidsrc=aw.ds) (Year: 2022).\*

\* cited by examiner

*Primary Examiner* — Robert A Delehanty  
(74) *Attorney, Agent, or Firm* — ScienBiziP, P.C.

(57) **CLAIM**

The ornamental design for a portable foldable bathtub, as shown and described.

**DESCRIPTION**

FIG. 1 is a top perspective view of a portable foldable bathtub, showing my design.

FIG. 2 is a front elevation view thereof.

FIG. 3 is a rear elevation view thereof.

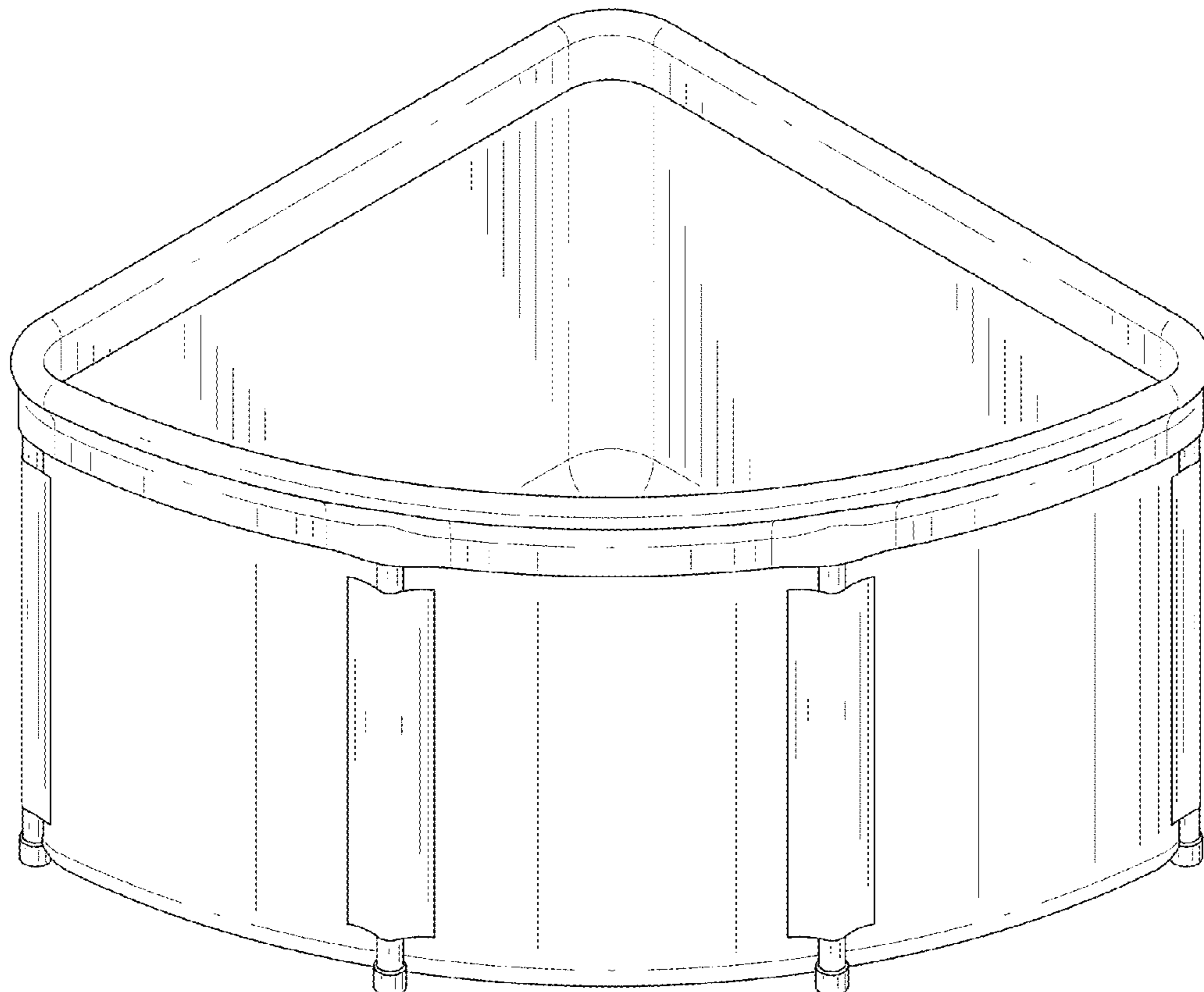
FIG. 4 is a left side elevation thereof.

FIG. 5 is a right side elevation thereof.

FIG. 6 is a top plan view thereof; and,

FIG. 7 is a bottom plan view thereof.

**1 Claim, 7 Drawing Sheets**



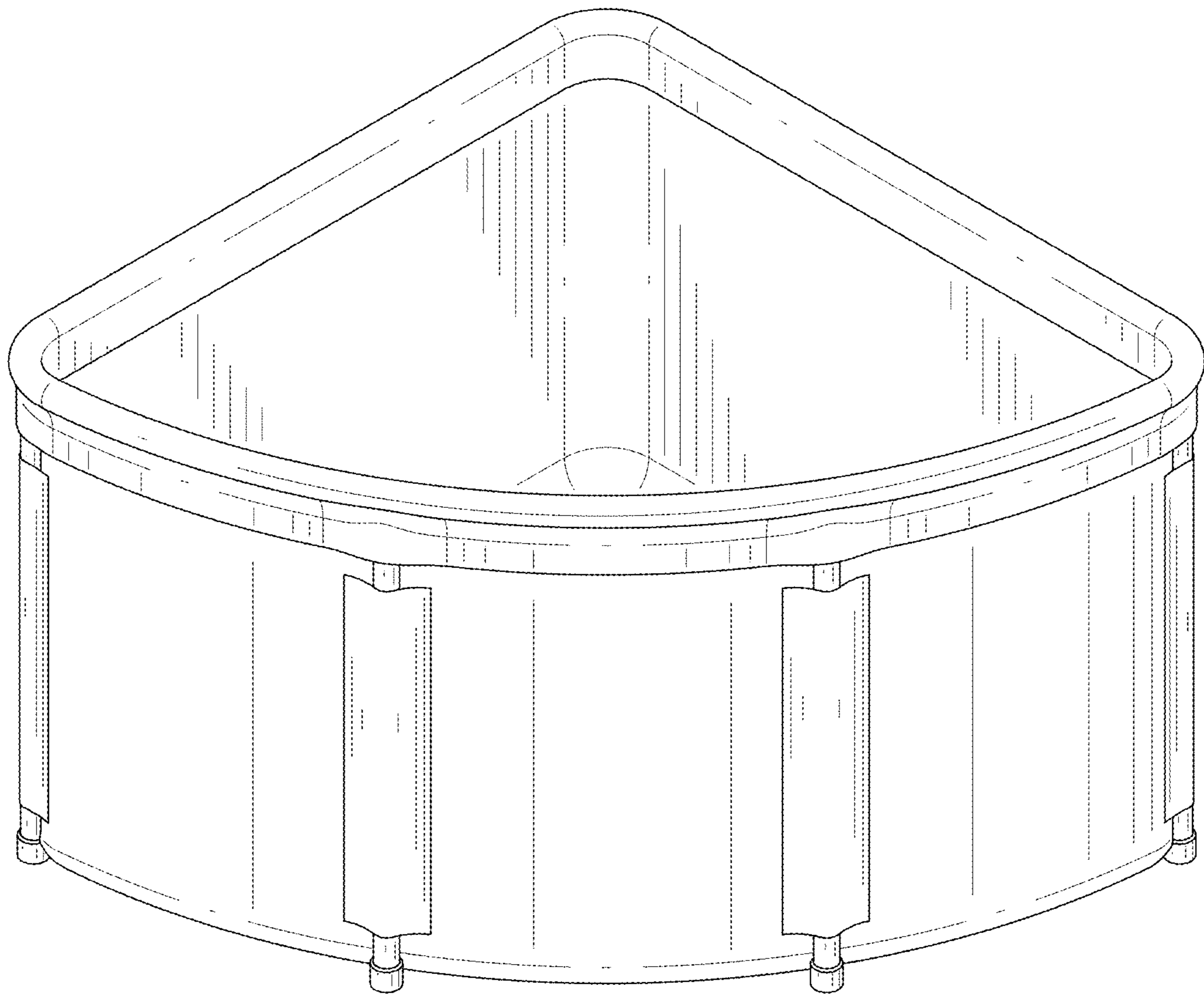


FIG. 1

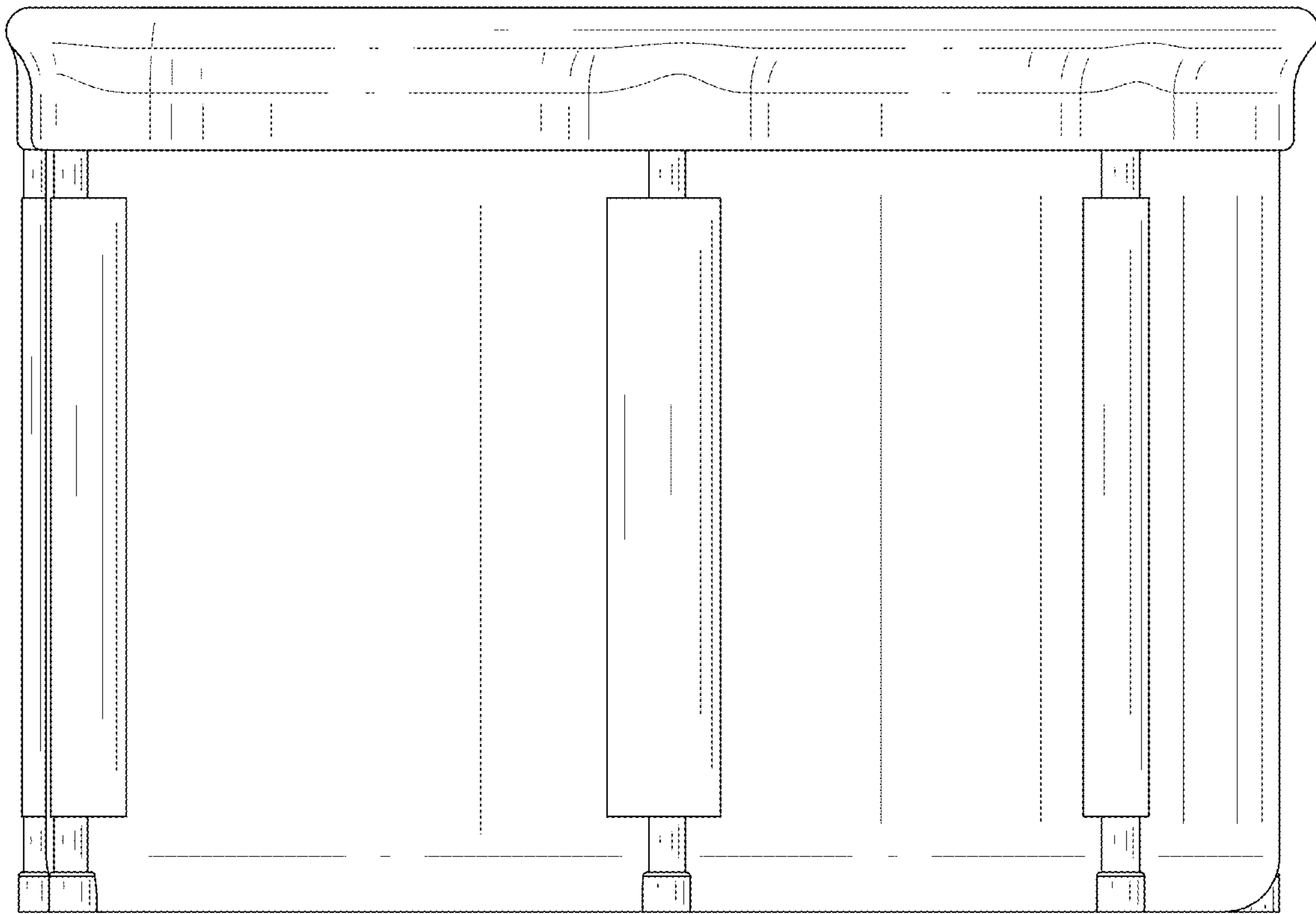


FIG. 2

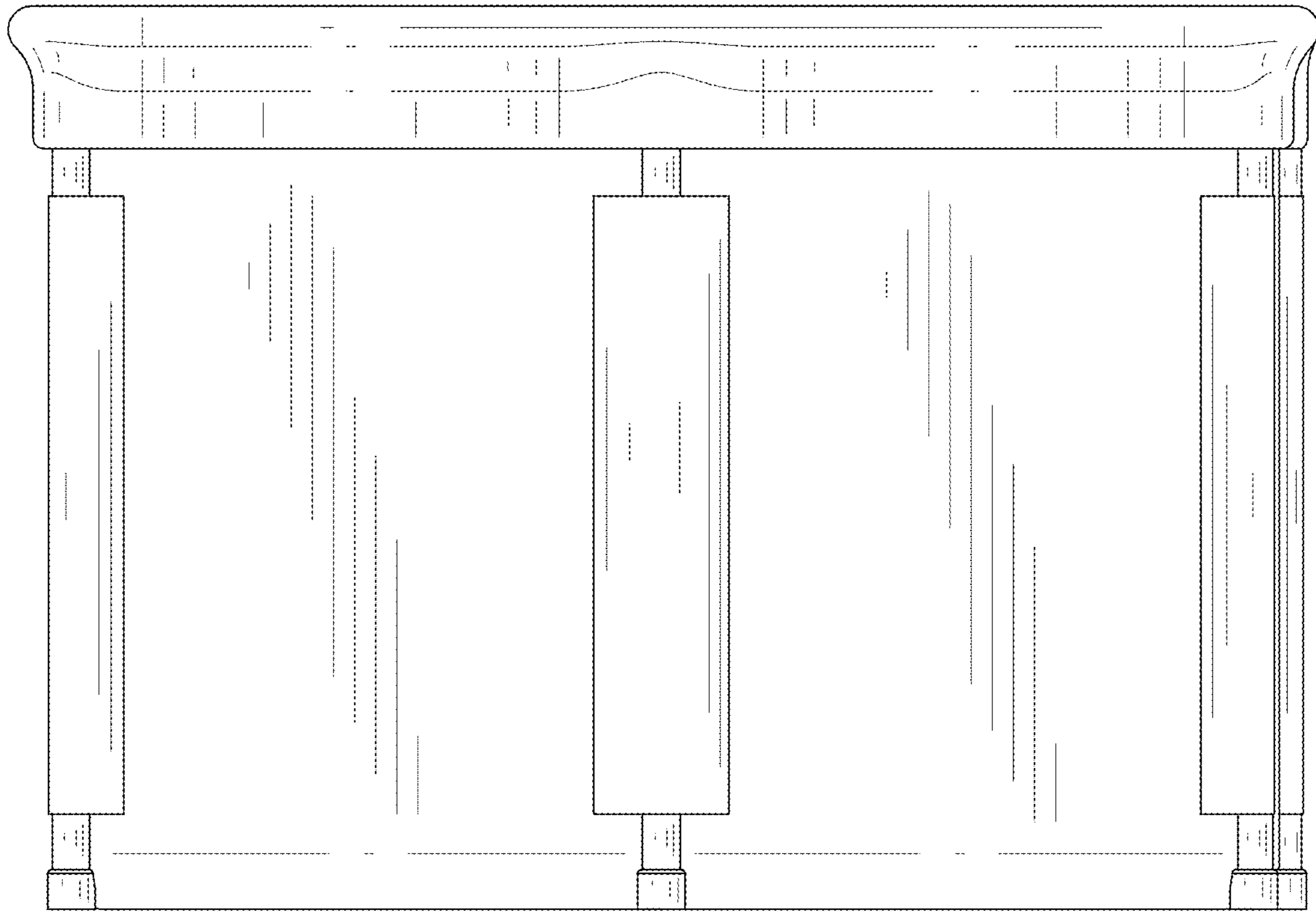


FIG. 3

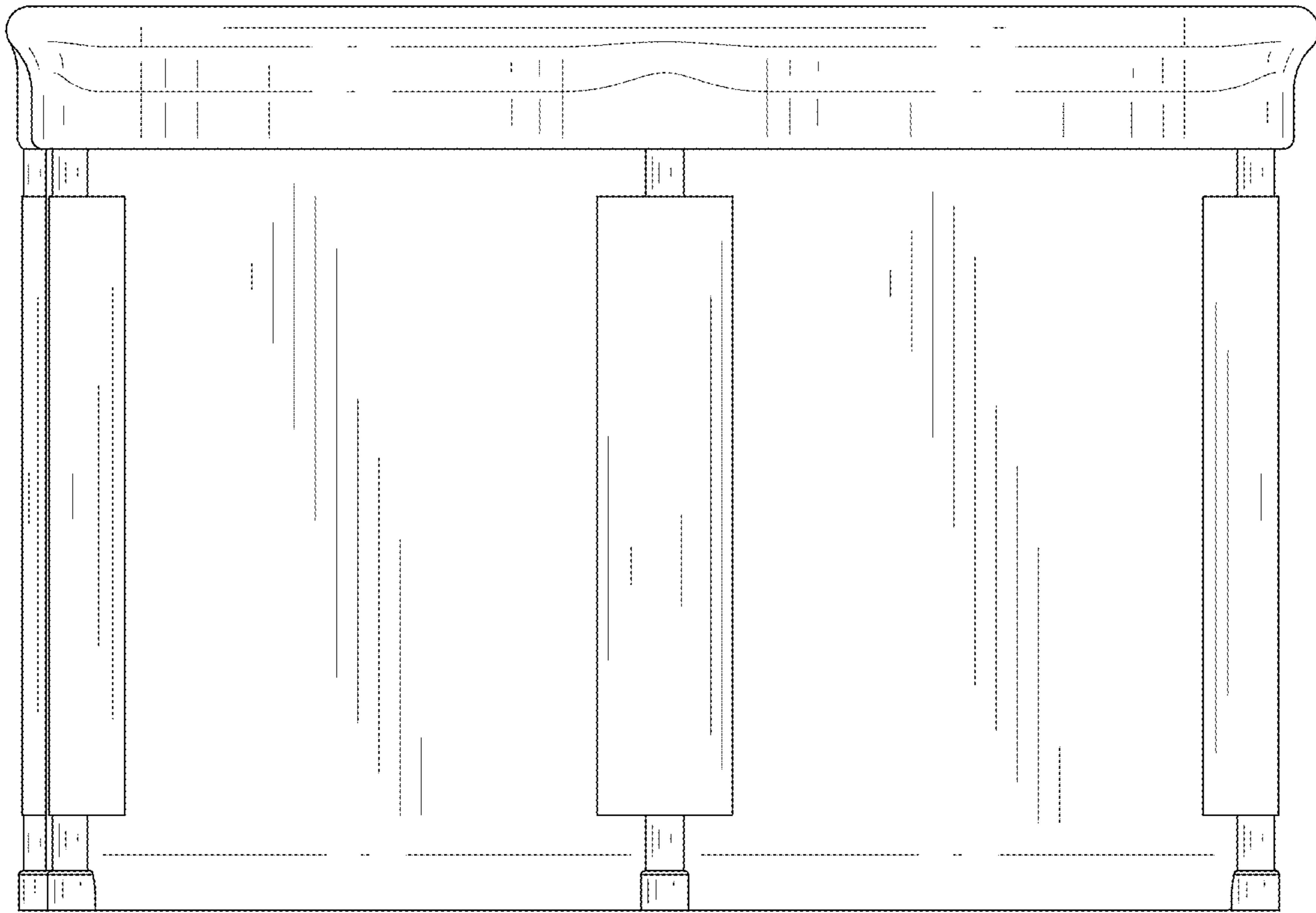


FIG. 4

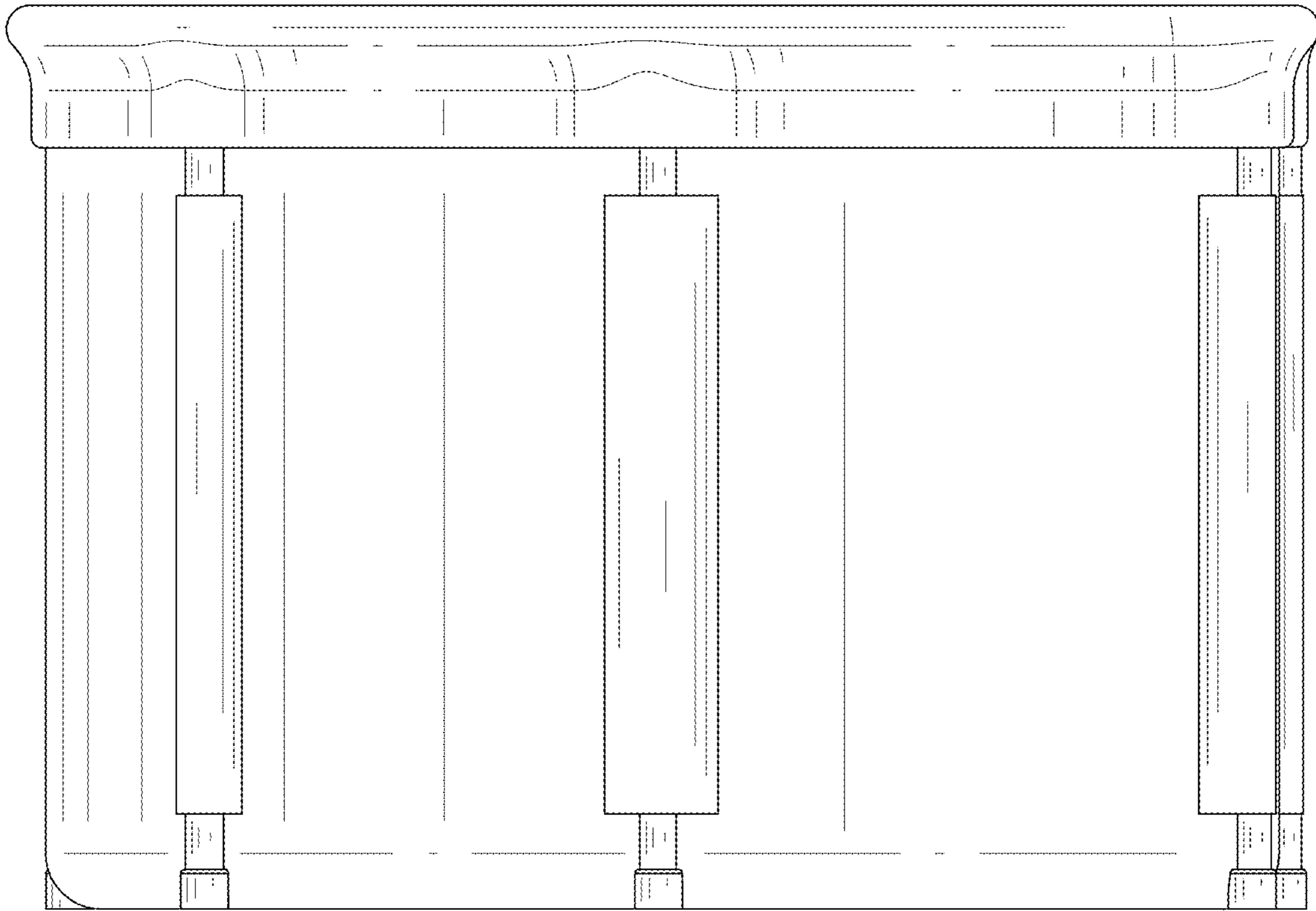


FIG. 5

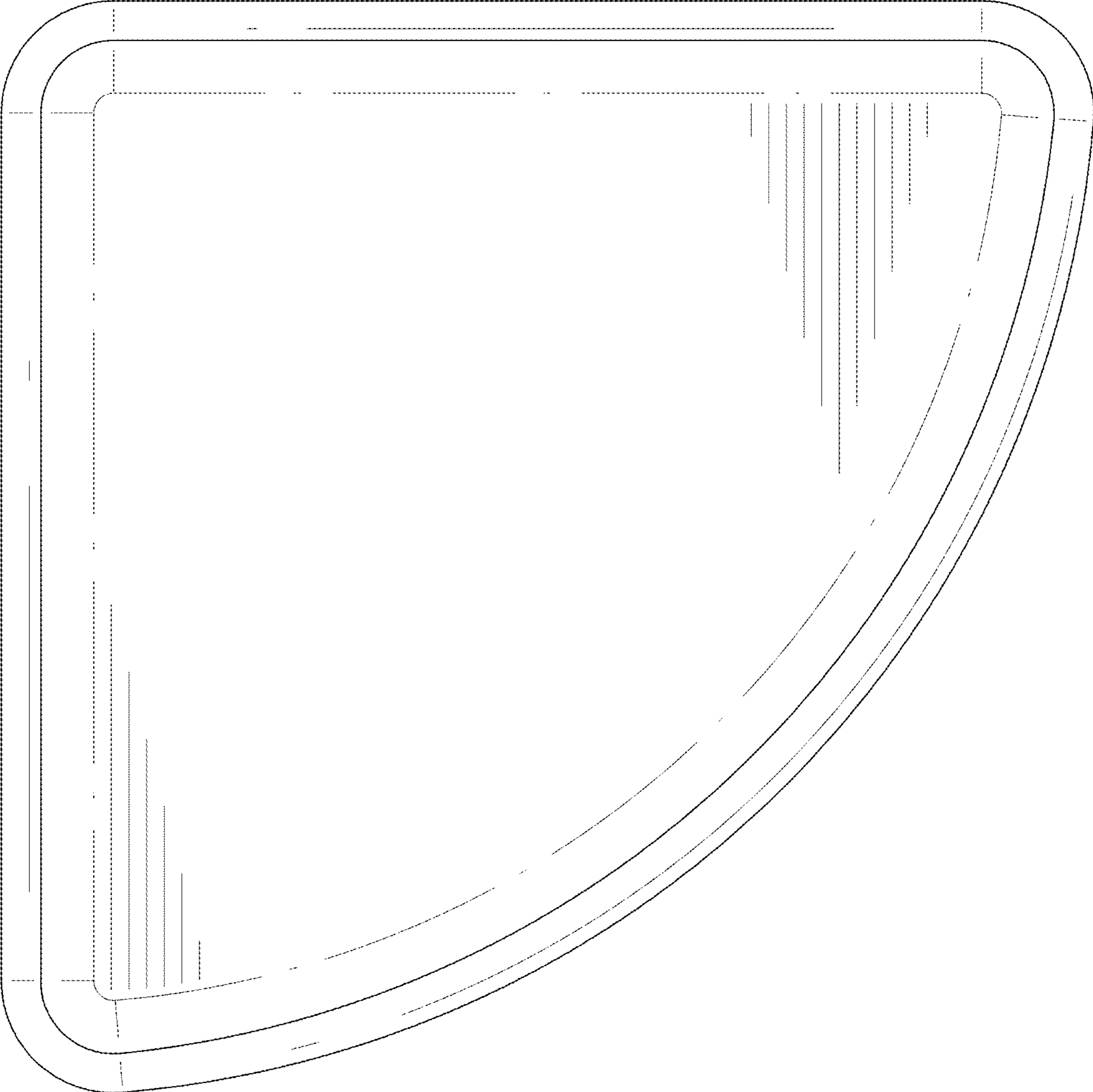


FIG. 6

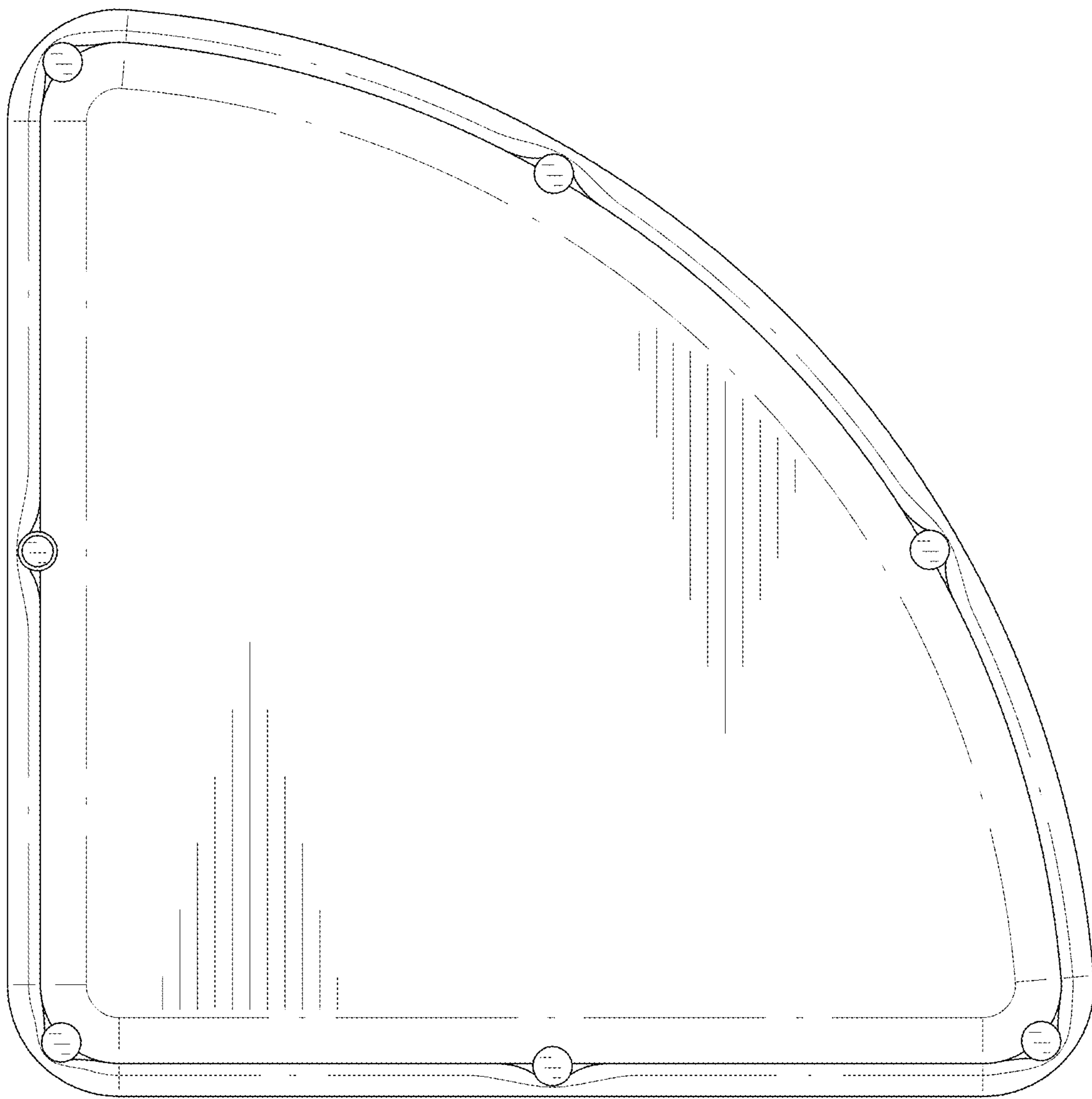


FIG. 7