



US00D965750S

(12) **United States Design Patent**
Patterson

(10) **Patent No.:** **US D965,750 S**

(45) **Date of Patent:** **** Oct. 4, 2022**

- (54) **SUMP BASIN INLET CONNECTION**
- (71) Applicant: **David Thomas Patterson**, Carlos, MN (US)
- (72) Inventor: **David Thomas Patterson**, Carlos, MN (US)
- (**) Term: **15 Years**
- (21) Appl. No.: **29/737,627**
- (22) Filed: **Jun. 10, 2020**
- (51) **LOC (13) Cl.** **23-01**
- (52) **U.S. Cl.**
USPC **D23/262**
- (58) **Field of Classification Search**
USPC D23/213, 223, 233, 249, 250, 253, D23/259-269, 323, 333; D7/300.1, 313, D7/509, 510, 523; D14/188, 194, 195, D14/204, 221, 228; D26/26, 37, 40, 46, D26/49, 93, 104, 105; D15/7; D24/108, D24/110.6, 112, 129
CPC F16L 1/00; F16L 9/00; F16L 13/00; F16L 13/146; F16L 2101/00; F16L 17/035; F16L 37/10; F16L 41/06; F16L 41/12; F16L 41/14; F16L 41/082; F16L 47/30; A47L 9/02; A47L 9/24; A47L 9/242; A47L 9/244; A47L 9/248; A61M 16/08; A61M 16/0816; A61M 16/0833; A61M 29/00; A61M 39/223
See application file for complete search history.

- 4,887,851 A * 12/1989 Rush F16L 31/02 285/200
- 4,966,397 A * 10/1990 McKinnon F16L 47/30 285/423
- 5,020,832 A 6/1991 Coblentz
- 5,145,216 A 9/1992 Valls, Jr.
- 5,360,241 A 11/1994 Gundy
- 6,412,824 B2 7/2002 Kunsman
- 7,052,048 B2 * 5/2006 Murphy F16L 41/082 220/601
- D561,304 S * 2/2008 Vansell D23/262
- 8,001,737 B1 8/2011 Price
- 8,128,128 B2 * 3/2012 Dittly F16L 41/12 285/197
- 8,328,240 B2 12/2012 Stone
- 8,757,667 B2 6/2014 Marquis-Martin
- 8,783,693 B2 7/2014 Beele
- 9,233,323 B1 1/2016 Gavin
- D758,554 S * 6/2016 Lohmann D23/261

(Continued)

FOREIGN PATENT DOCUMENTS

- AU 2004201688 4/2003
- JP 2000240853 2/1944

Primary Examiner — Gino Colan
Assistant Examiner — David OBrien

(57) **CLAIM**

The ornamental design for a sump basin inlet connection, as shown and described.

DESCRIPTION

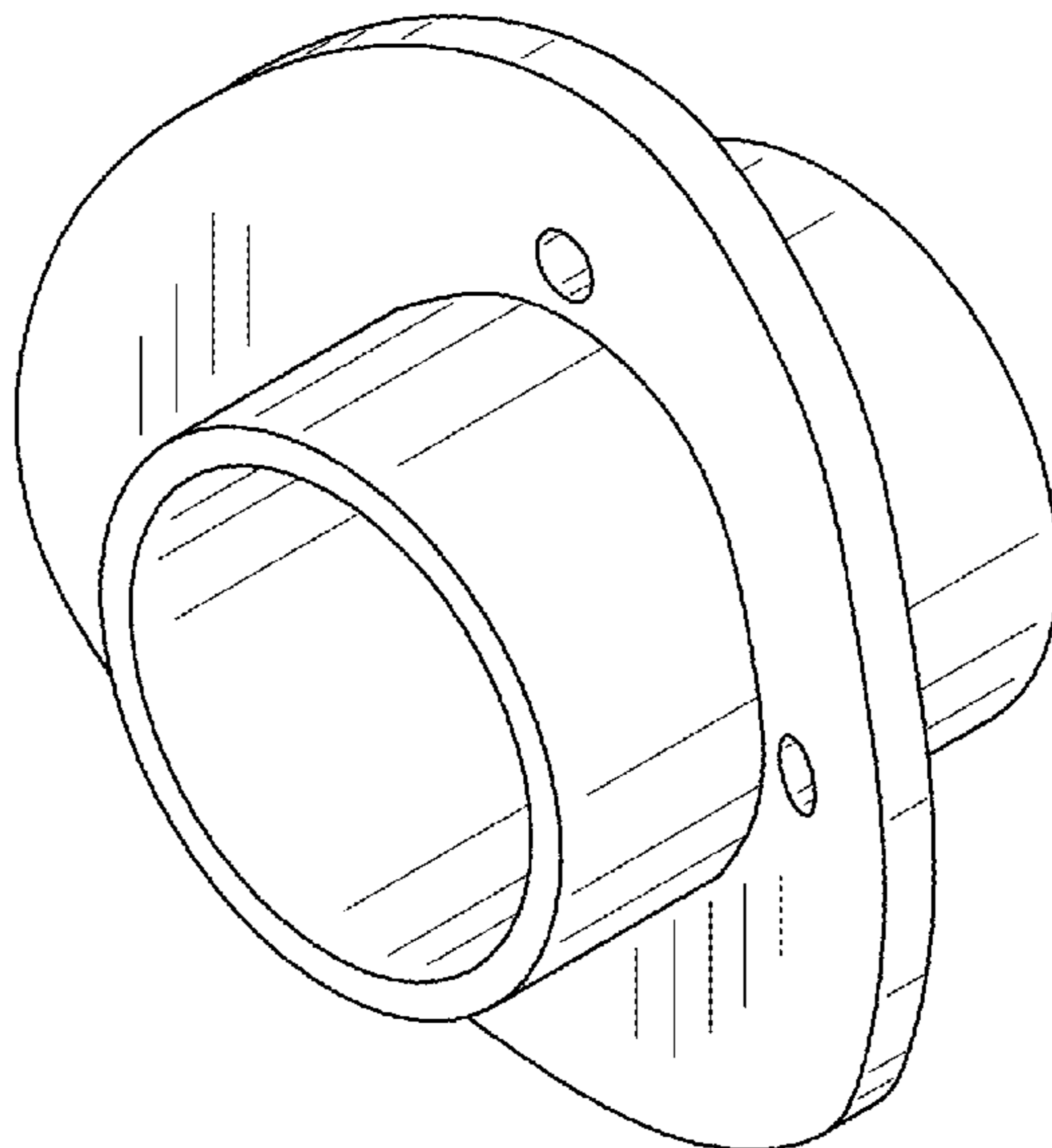
FIG. 1 is a front isometric view of a sump basin inlet connection showing my new design;
FIG. 2 is a top view of the sump basin inlet connection, a bottom view being a mirror image thereof;
FIG. 3 is a right side view of the sump basin inlet connection, a left side view being a mirror image thereof;
FIG. 4 is a front view of the sump basin inlet connection; and,
FIG. 5 is a rear view of the sump basin inlet connection.

1 Claim, 3 Drawing Sheets

(56) **References Cited**

U.S. PATENT DOCUMENTS

- 3,197,242 A * 7/1965 Milette F16L 37/10 277/626
- 3,232,645 A * 2/1966 Bucks F16L 41/082 285/133.11
- 4,627,648 A 12/1986 Montpetit



(56)

References Cited

U.S. PATENT DOCUMENTS

2003/0226412 A1* 12/2003 Rumminger F16L 41/12
73/866.5
2009/0065069 A1* 3/2009 Pretorius F16L 41/06
137/318
2015/0377400 A1* 12/2015 Rosenthal F16L 41/12
285/194
2017/0299103 A1* 10/2017 Genoni F16L 47/30
2021/0388932 A1* 12/2021 Patterson F16L 41/14

* cited by examiner

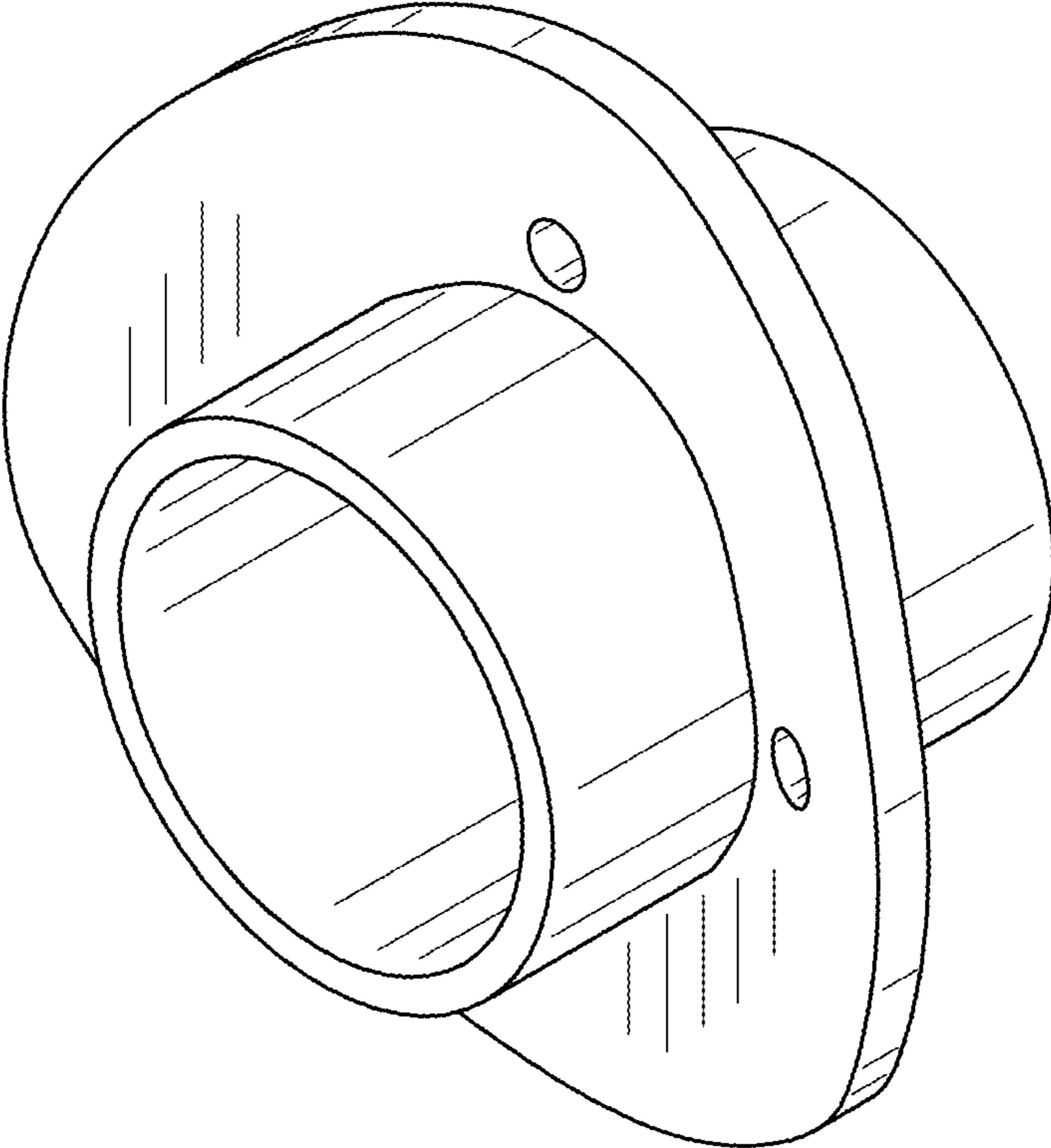


FIG. 1

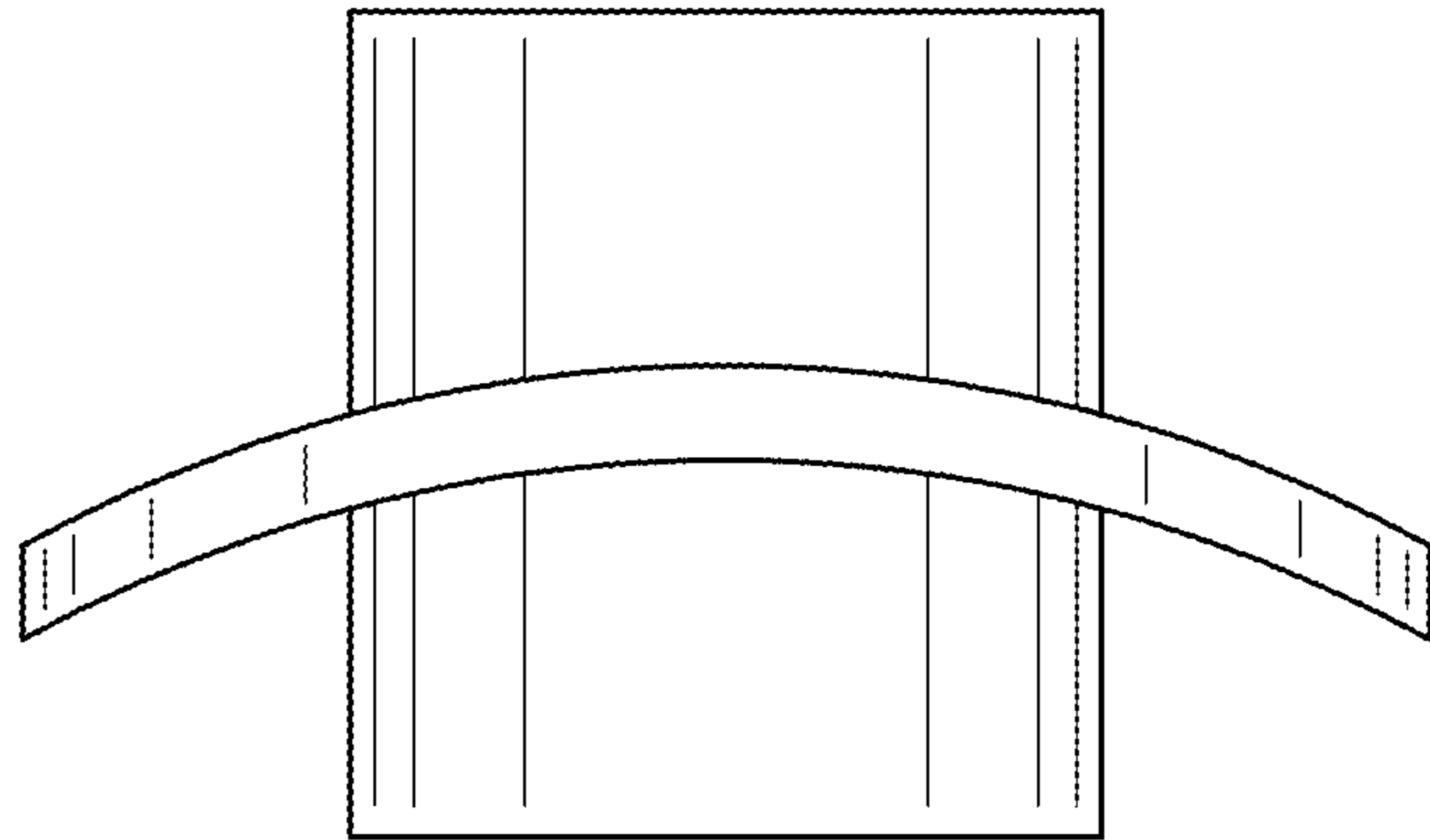


FIG. 2

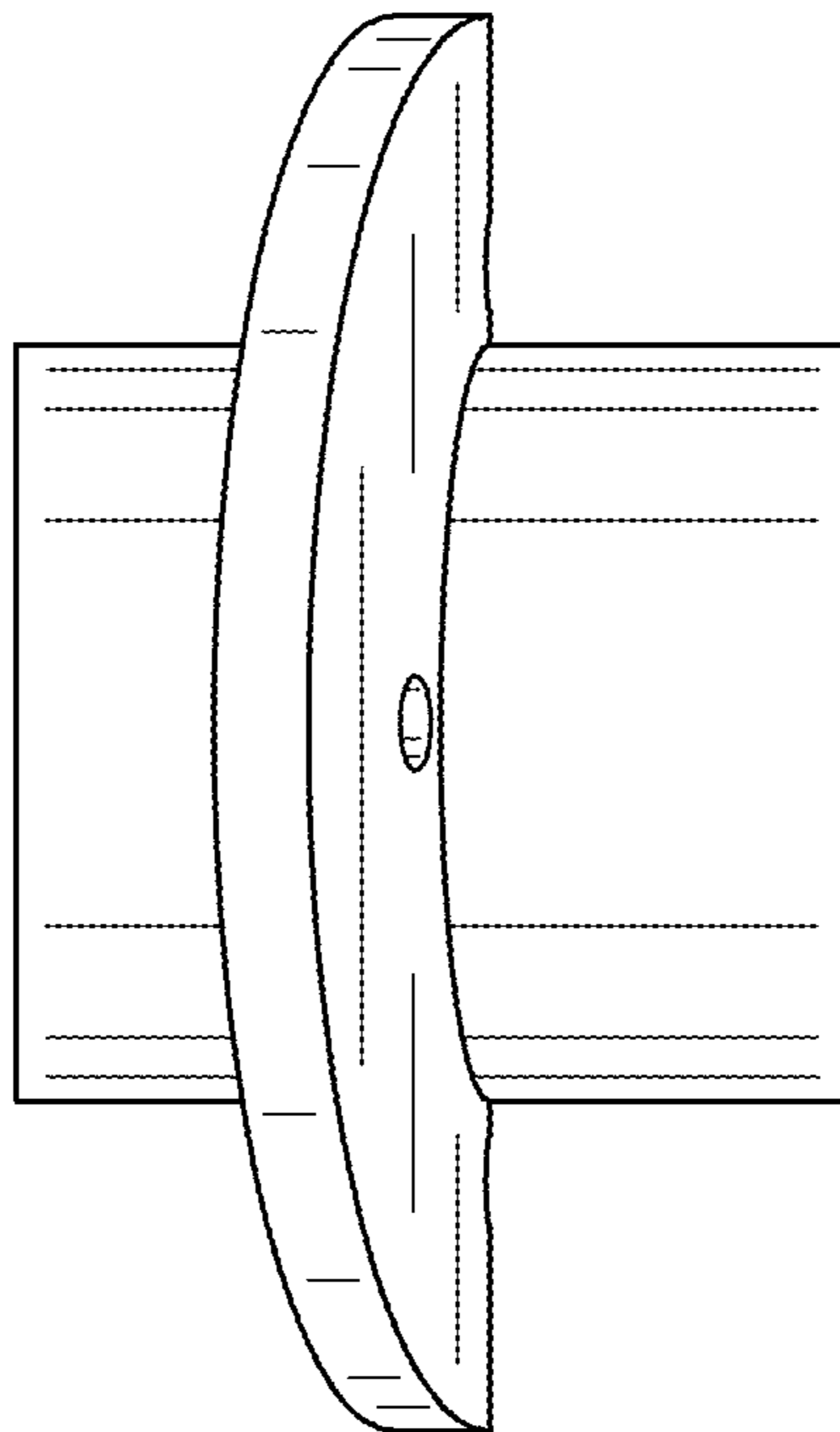


FIG. 3

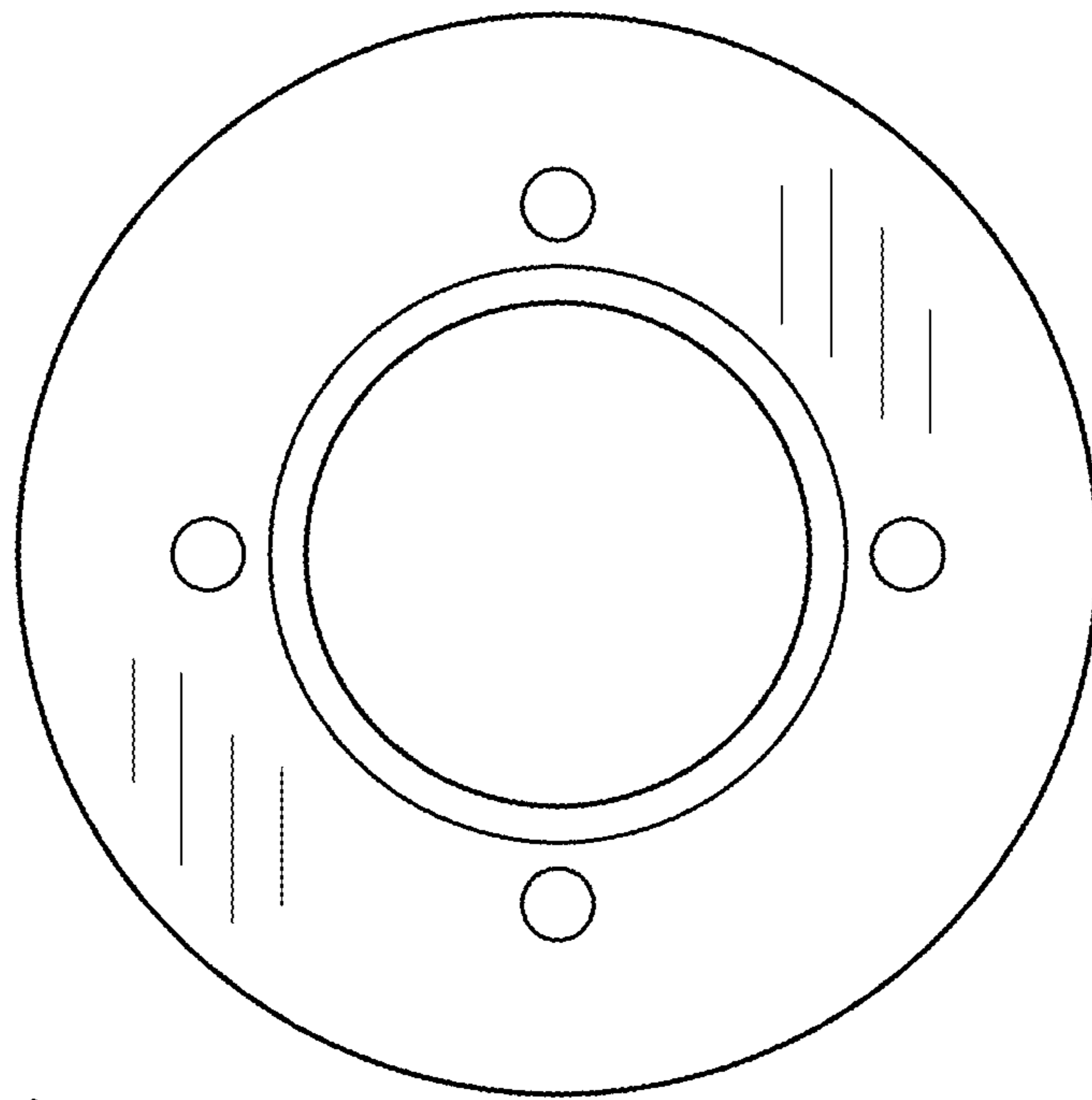


FIG. 4

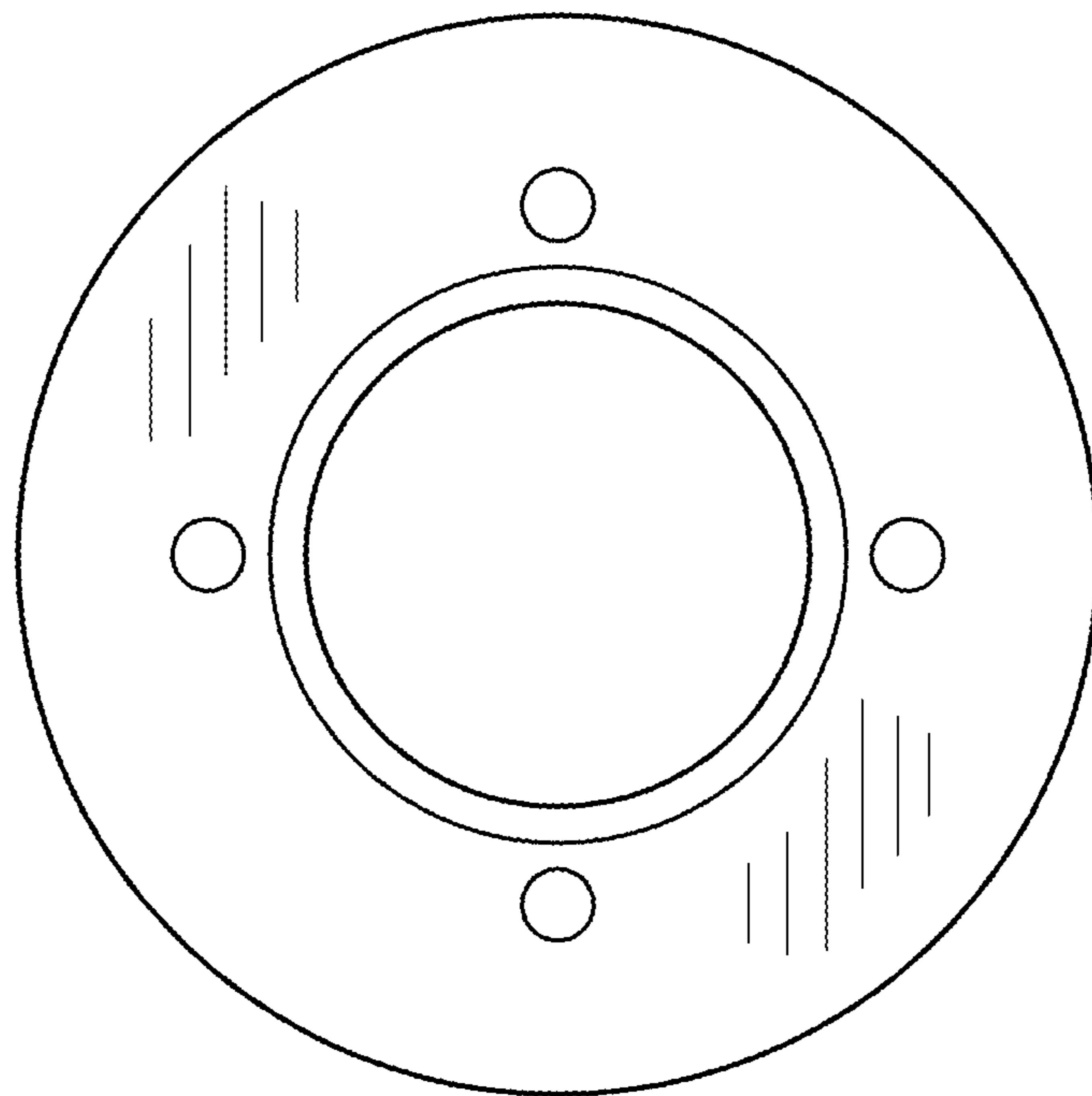


FIG. 5