



US00D965749S

(12) **United States Design Patent** (10) **Patent No.:** **US D965,749 S**
Williams et al. (45) **Date of Patent:** **** Oct. 4, 2022**

(54) **DECORATIVE AIR GAP CAP COVER**
(71) Applicants: **Luke J. Williams**, Folsom, CA (US);
Luke M. Williams, Orangevale, CA (US)
(72) Inventors: **Luke J. Williams**, Folsom, CA (US);
Luke M. Williams, Orangevale, CA (US)

6,510,863 B1 1/2003 Traylor
6,971,400 B1 12/2005 Bowman
7,210,599 B1 5/2007 Pfaff
D642,243 S * 7/2011 Seehoff D23/260
D658,272 S 4/2012 McClure
D661,781 S 6/2012 McClure
9,198,543 B1 12/2015 Hsieh
10,822,779 B1 * 11/2020 Williams E03C 1/102
2016/0115680 A1 4/2016 Pargeter

* cited by examiner

(73) Assignee: **UNITED AIR GAP COVERS INC.**,
Orangevale, CA (US)
(**) Term: **15 Years**

Primary Examiner — Gino Colan
(74) *Attorney, Agent, or Firm* — Inventive Law Inc.; Jim H. Salter

(21) Appl. No.: **29/724,609**
(22) Filed: **Feb. 18, 2020**

(57) **CLAIM**

The ornamental design for a decorative air gap cap cover, as shown and described.

Related U.S. Application Data

DESCRIPTION

(63) Continuation-in-part of application No. 16/528,398, filed on Jul. 31, 2019, now Pat. No. 10,822,779.
(51) **LOC (13) Cl.** **23-01**
(52) **U.S. Cl.**
USPC **D23/260**
(58) **Field of Classification Search**
USPC D23/260, 386; 137/216
CPC Y10T 137/3185; E03C 1/102; E03C 1/10
See application file for complete search history.

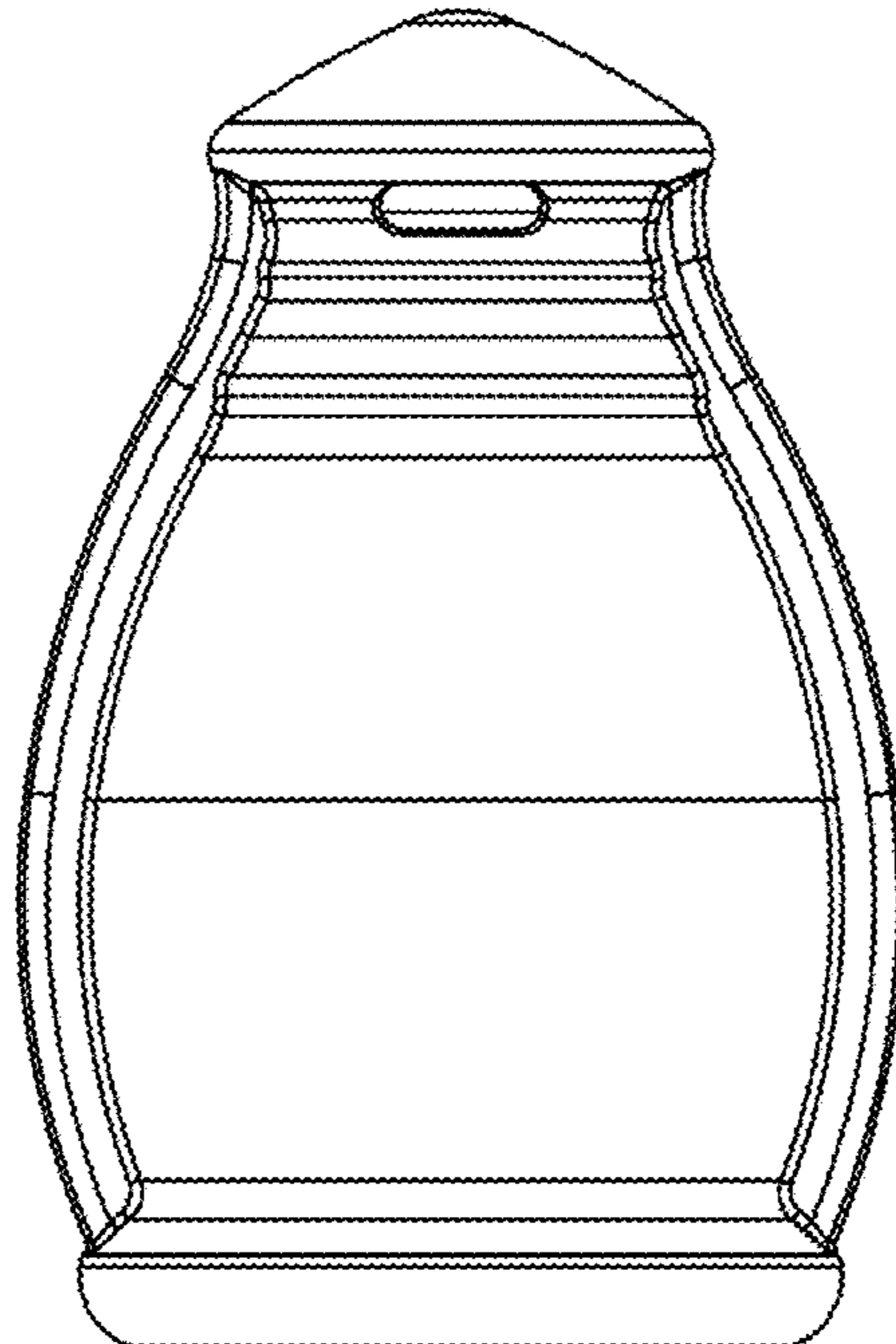
A portion of the disclosure of this patent document contains material to which a claim for copyright is made. The copyright owners have no objection to the facsimile reproduction by anyone of the patent document or the patent disclosure, as it appears in the Patent and Trademark Office patent file or records, but reserves all other copyrights whatsoever.

FIG. 1 is a front view of a decorative air gap cap cover showing our new design;
FIG. 2 is a right view thereof;
FIG. 3 is a left side view thereof;
FIG. 4 is a rear view thereof;
FIG. 5 is a top view thereof;
FIG. 6 is a bottom view thereof;
FIG. 7 is a top perspective view thereof; and,
FIG. 8 is a bottom perspective view thereof.

(56) **References Cited**
U.S. PATENT DOCUMENTS

4,399,832 A 8/1983 Appleby
5,305,778 A 4/1994 Traylor
5,592,964 A 1/1997 Traylor
5,713,385 A 2/1998 Traylor
5,865,209 A 2/1999 Vidal

1 Claim, 8 Drawing Sheets



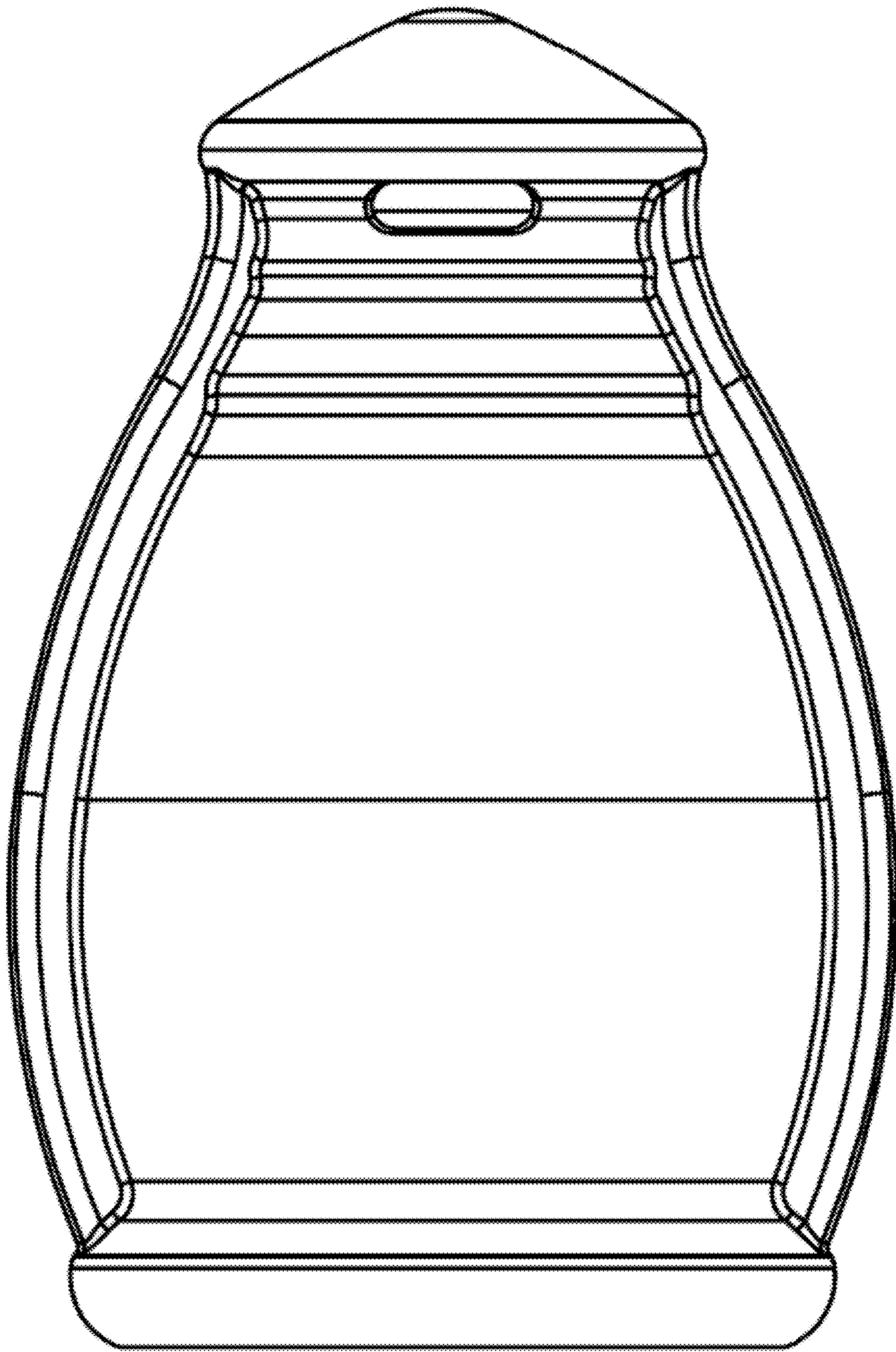


Fig. 1

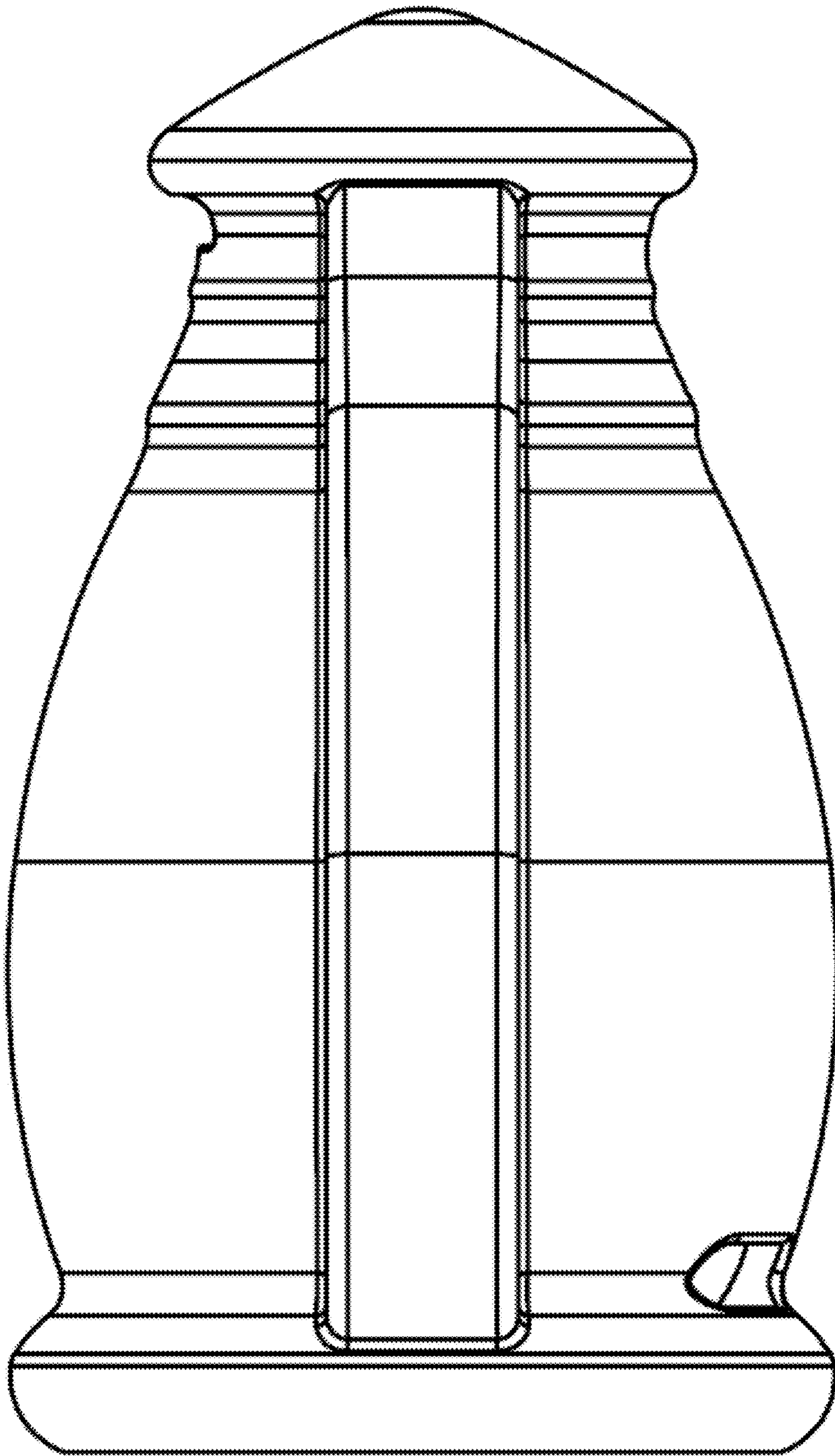


Fig. 2

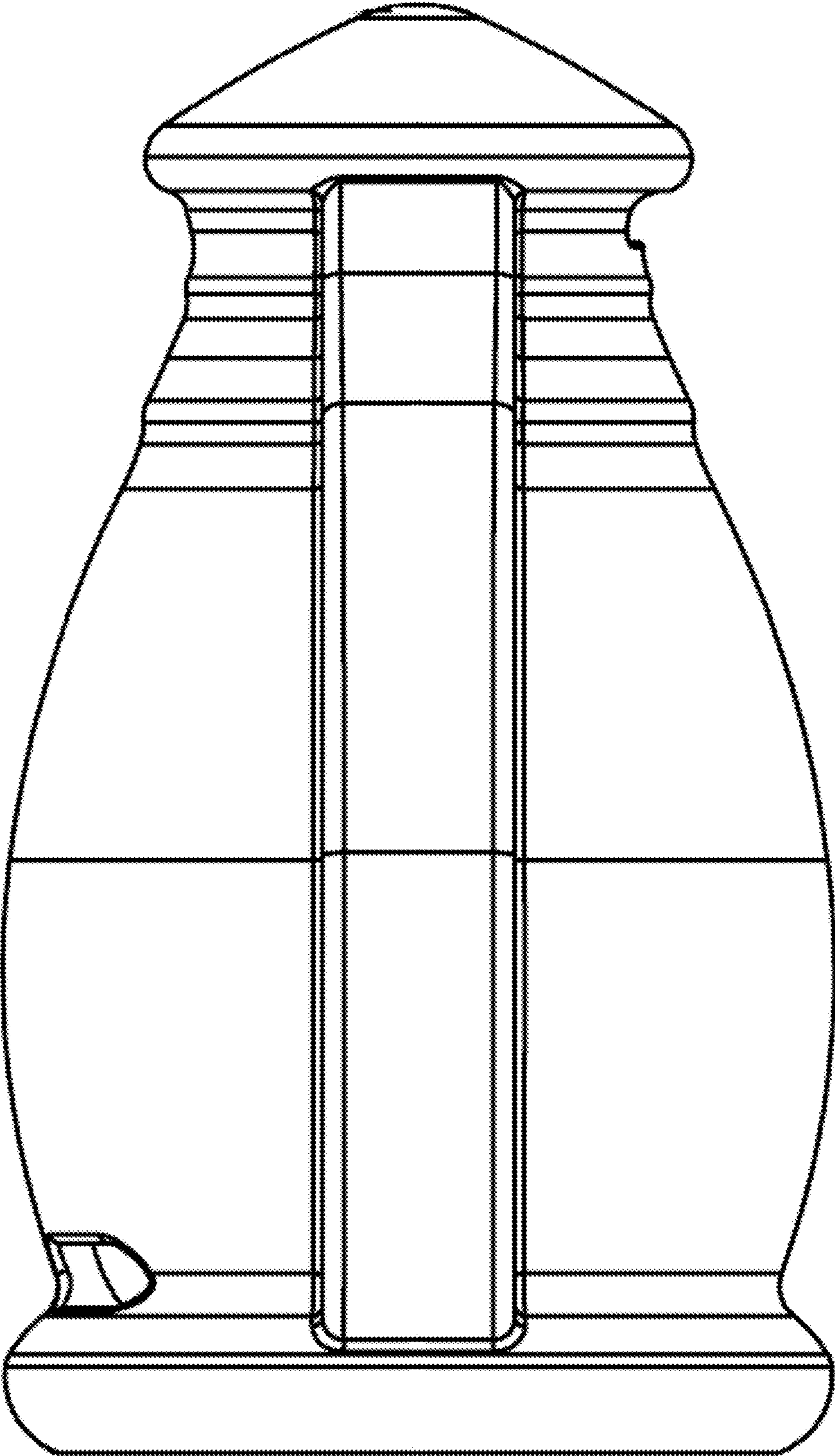


Fig. 3

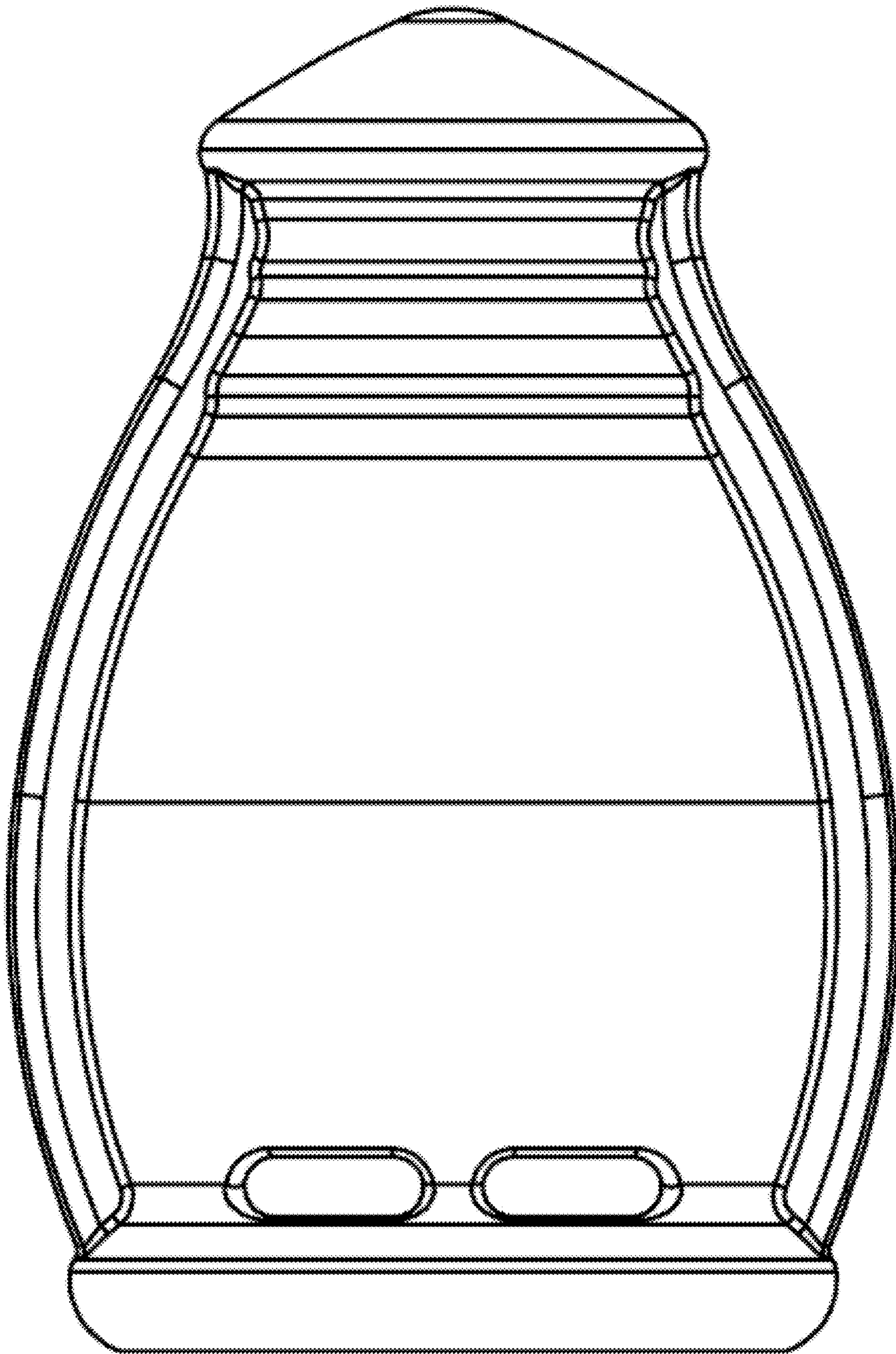


Fig. 4

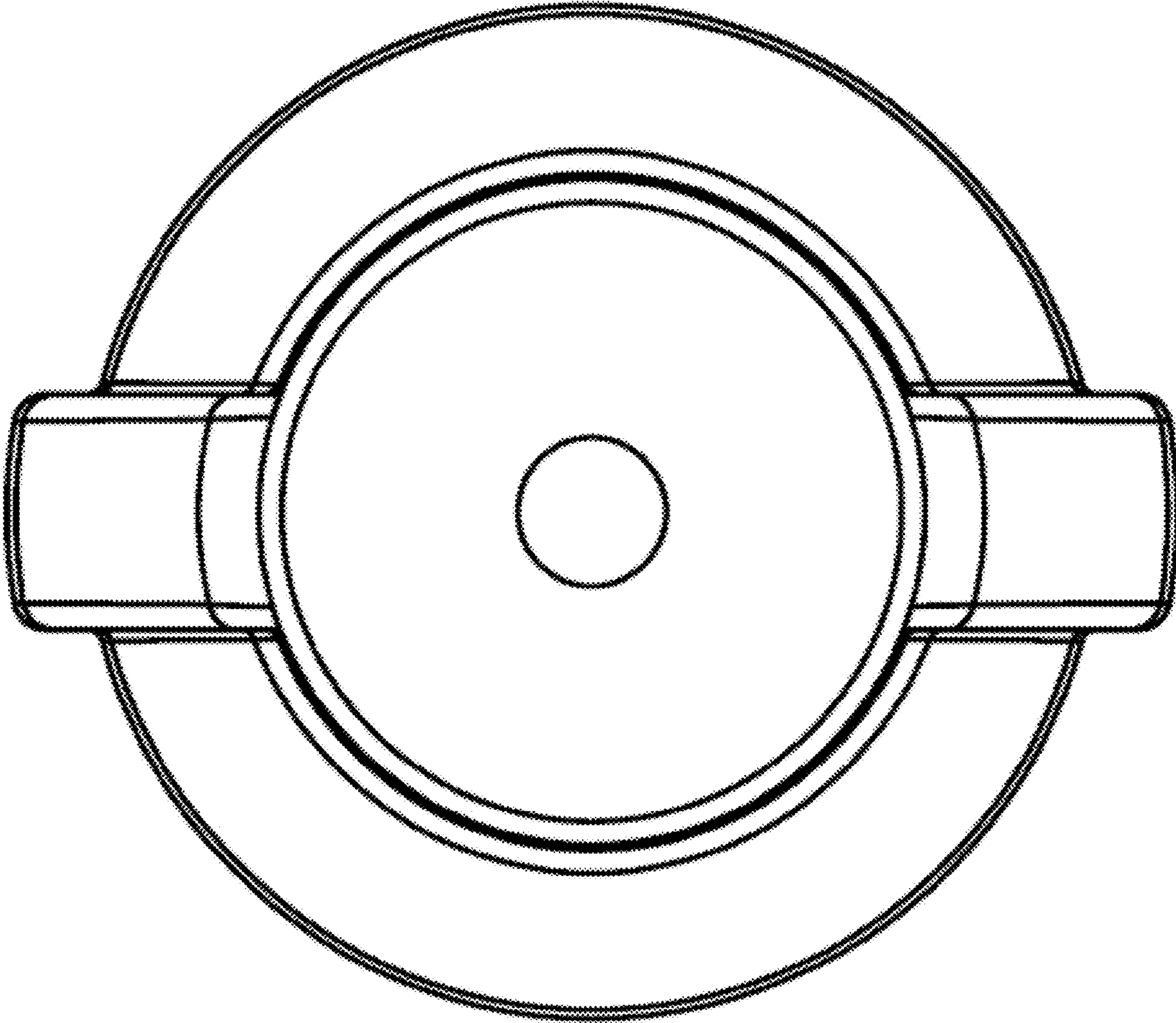


Fig. 5

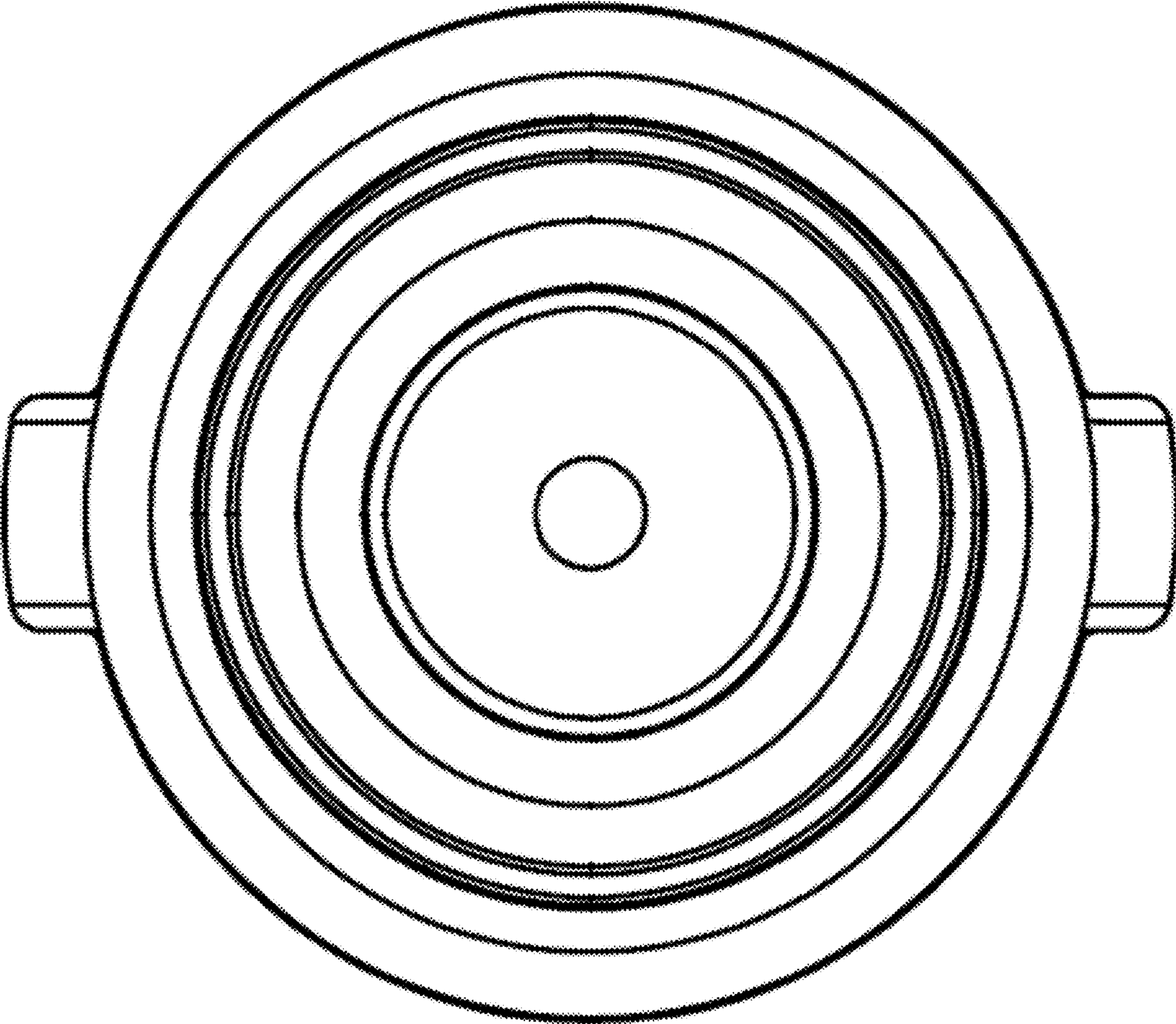


Fig. 6

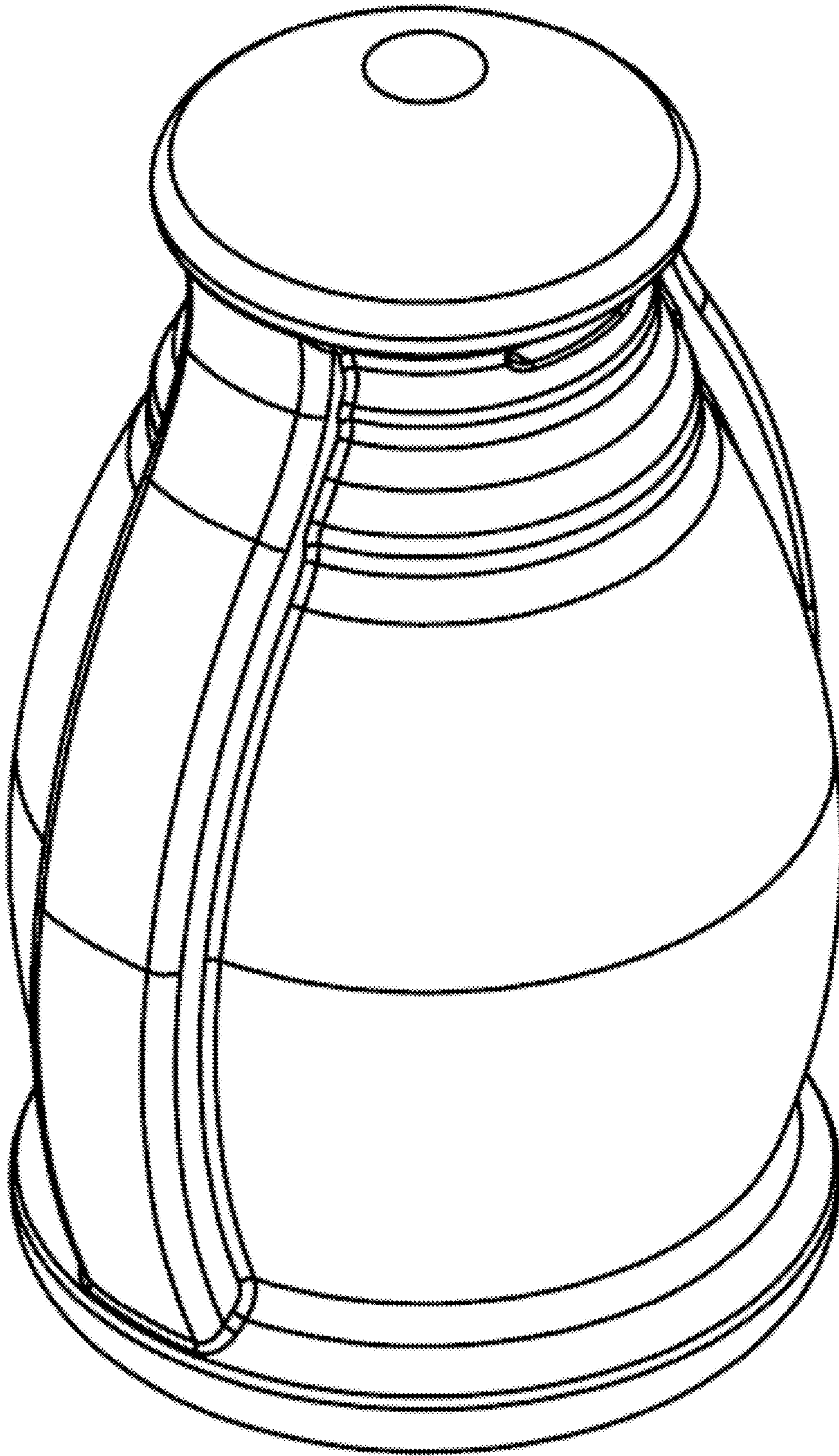


Fig. 7

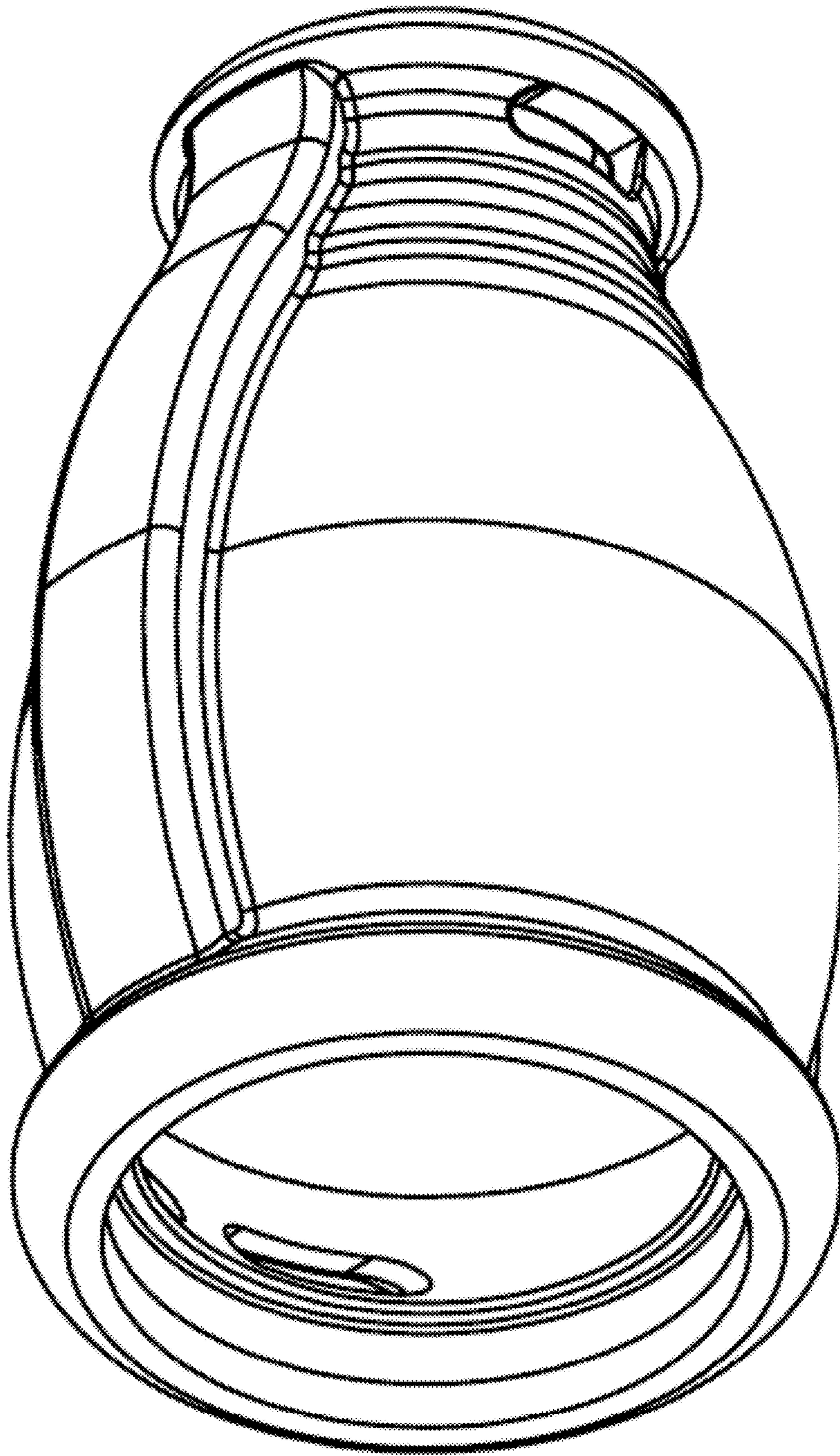


Fig. 8