



US00D965747S

(12) **United States Design Patent**
Feng

(10) **Patent No.:** **US D965,747 S**

(45) **Date of Patent:** **** Oct. 4, 2022**

(54) **FAUCET HANDLE**

(71) Applicant: **Yadong Feng**, Suzhou (CN)

(72) Inventor: **Yadong Feng**, Suzhou (CN)

(**) Term: **15 Years**

(21) Appl. No.: **29/864,466**

(22) Filed: **May 30, 2022**

(51) **LOC (13) Cl.** **23-01**

(52) **U.S. Cl.**
USPC **D23/252**

(58) **Field of Classification Search**
USPC D23/238–243, 249–250, 252, 254;
D8/307–308

See application file for complete search history.

(56) **References Cited**

U.S. PATENT DOCUMENTS

D477,860 S *	7/2003	Singtoroj	D23/252
D826,382 S *	8/2018	Spangler	D23/254
D841,129 S	2/2019	Garland et al.		
D851,733 S *	6/2019	Spangler	D23/252
D851,734 S *	6/2019	Spangler	D23/252

D874,614 S	2/2020	Lazarini		
D904,574 S *	12/2020	Garland	D23/252
D921,846 S *	6/2021	Lazarini	D23/252
D936,184 S *	11/2021	Lazarini	D23/252

* cited by examiner

Primary Examiner — Robert A Delehanty

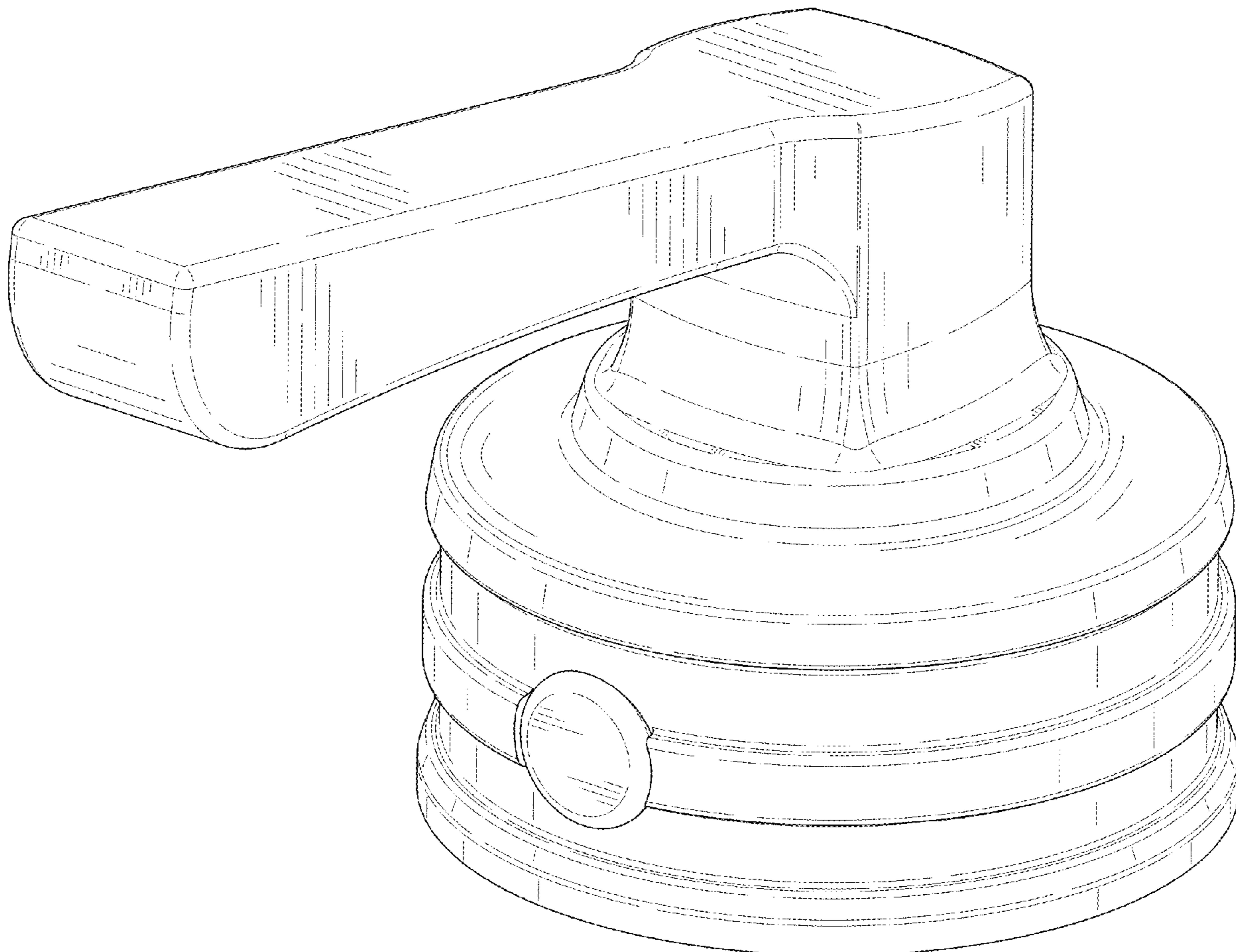
(57) **CLAIM**

The ornamental design for a faucet handle, as shown and described.

DESCRIPTION

FIG. 1 is a perspective view of a faucet handle showing my new design;
 FIG. 2 is another perspective view thereof;
 FIG. 3 is a front elevational view thereof;
 FIG. 4 is a rear elevational view thereof;
 FIG. 5 is a left side elevational view thereof;
 FIG. 6 is a right side elevational view thereof;
 FIG. 7 is a top plan view thereof; and,
 FIG. 8 is a bottom plan view thereof.
 The broken lines in the drawings depict portions of the faucet handle that form no part of the claimed design.

1 Claim, 8 Drawing Sheets



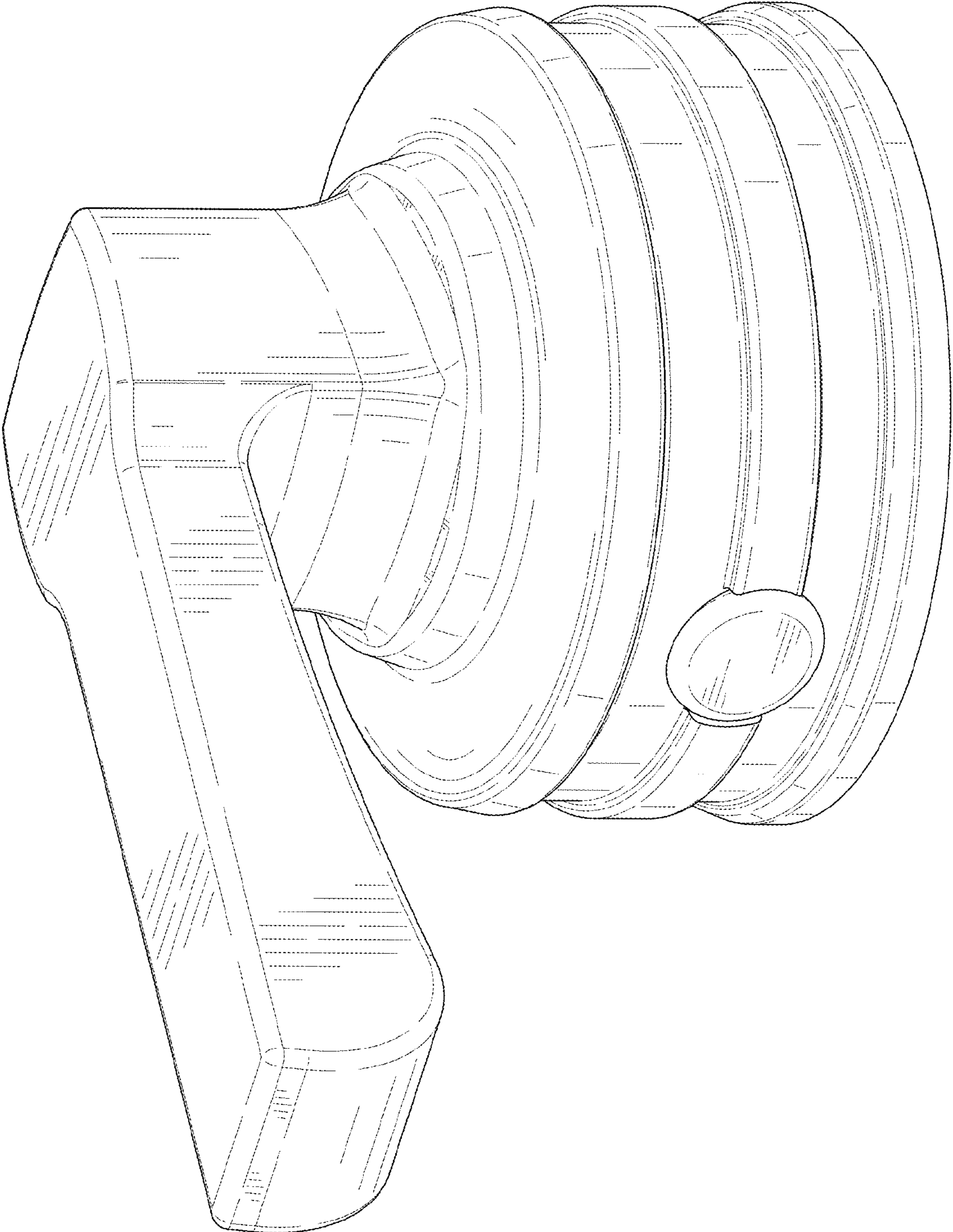


FIG. 1

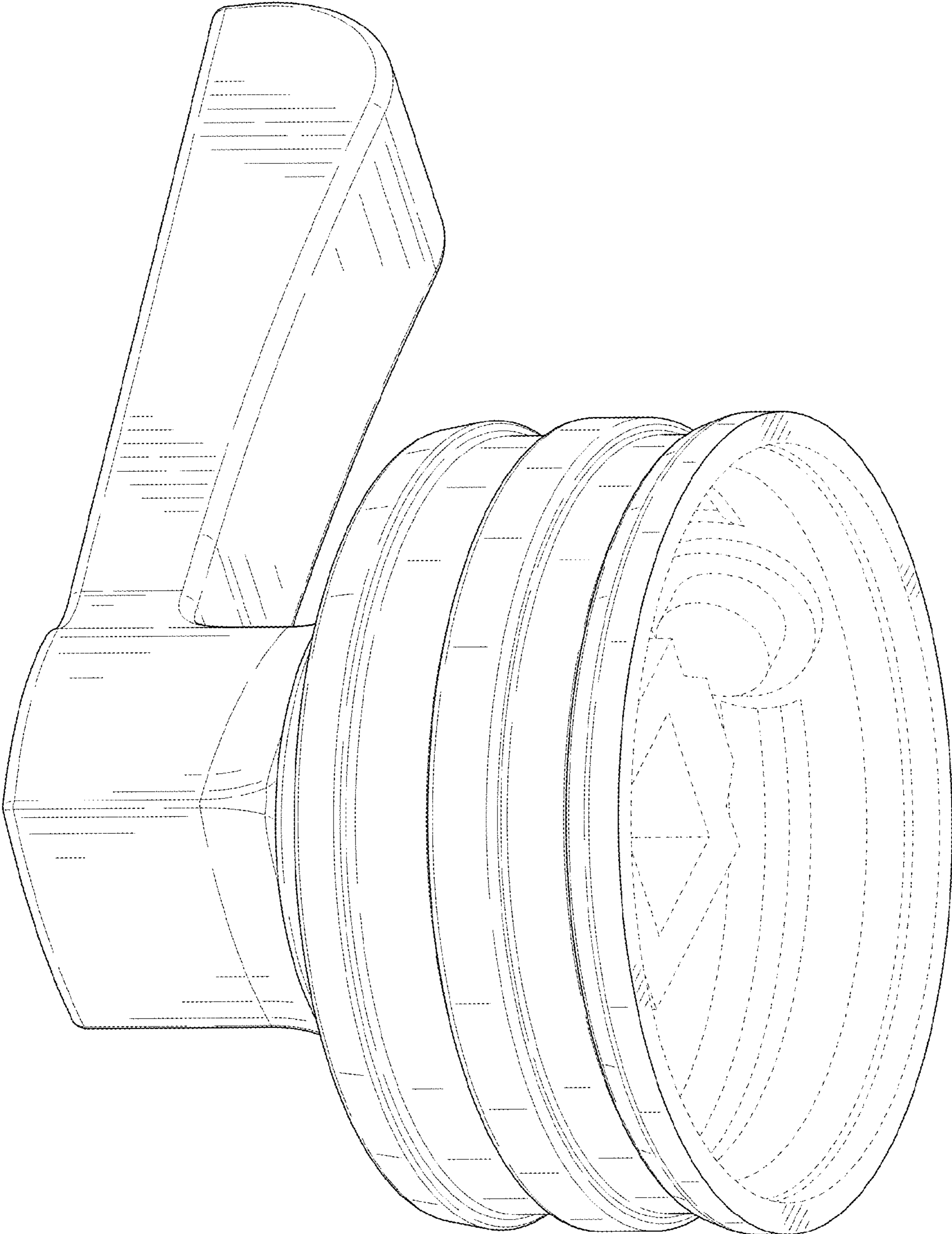


FIG. 2

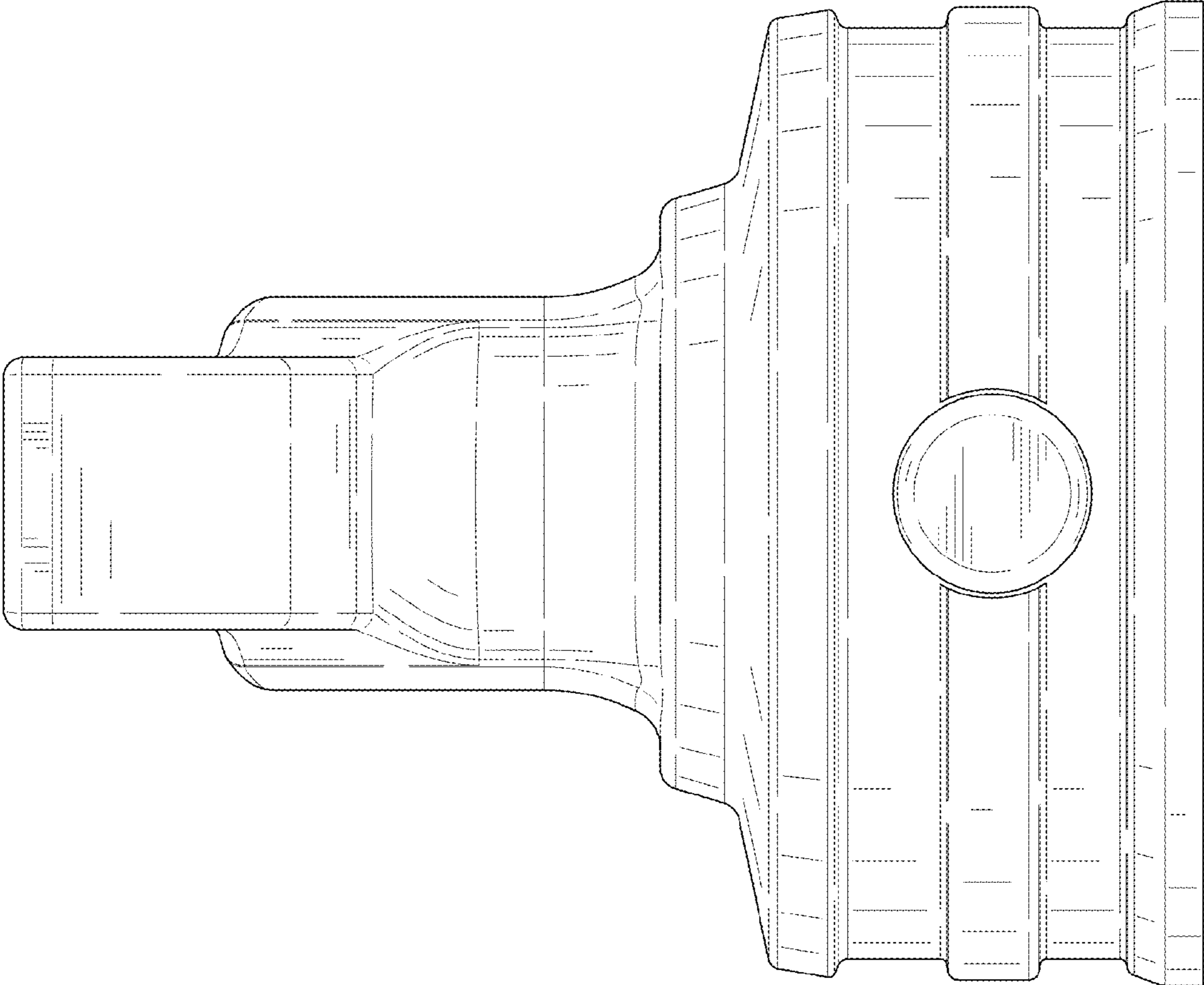


FIG. 3

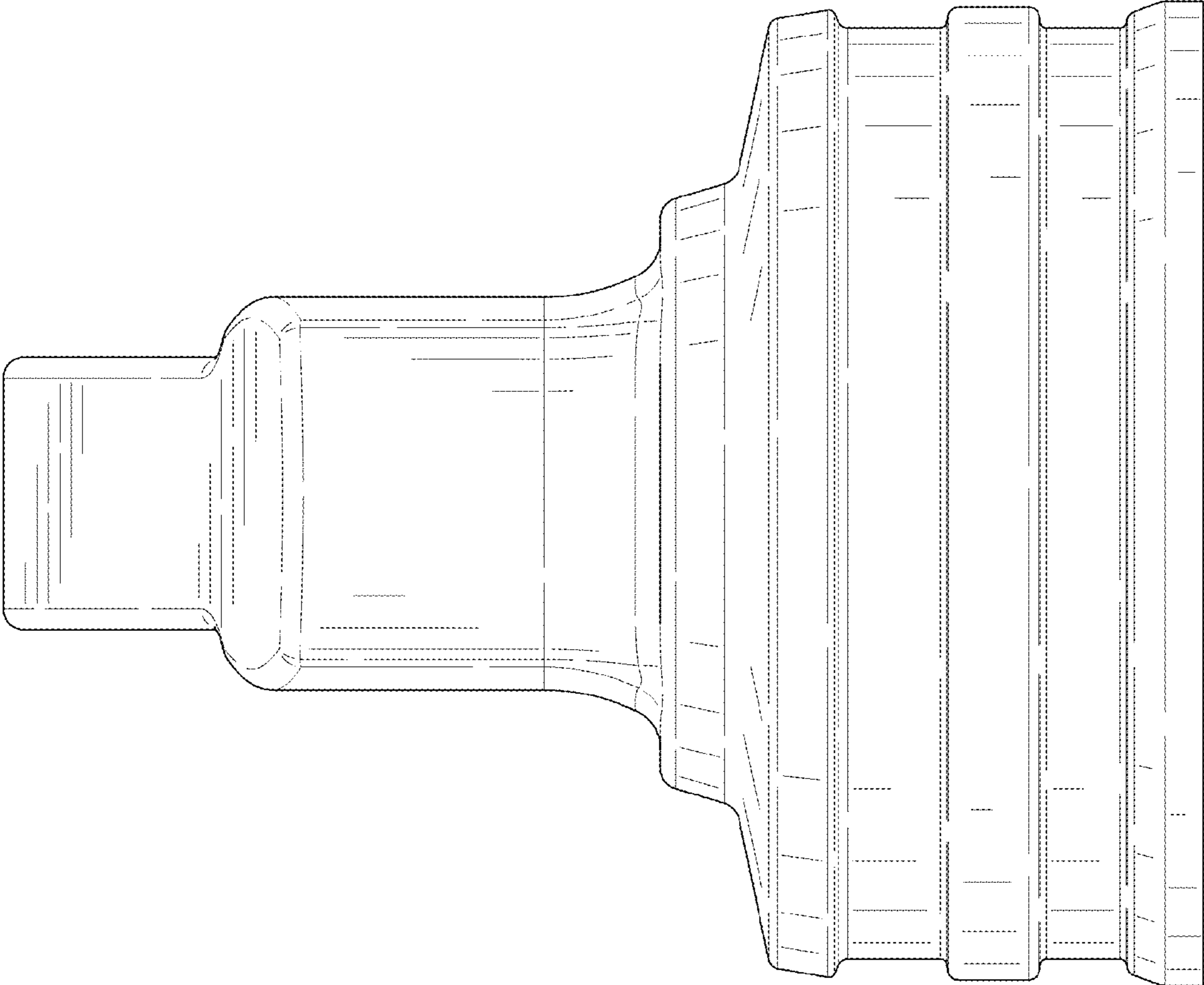


FIG. 4

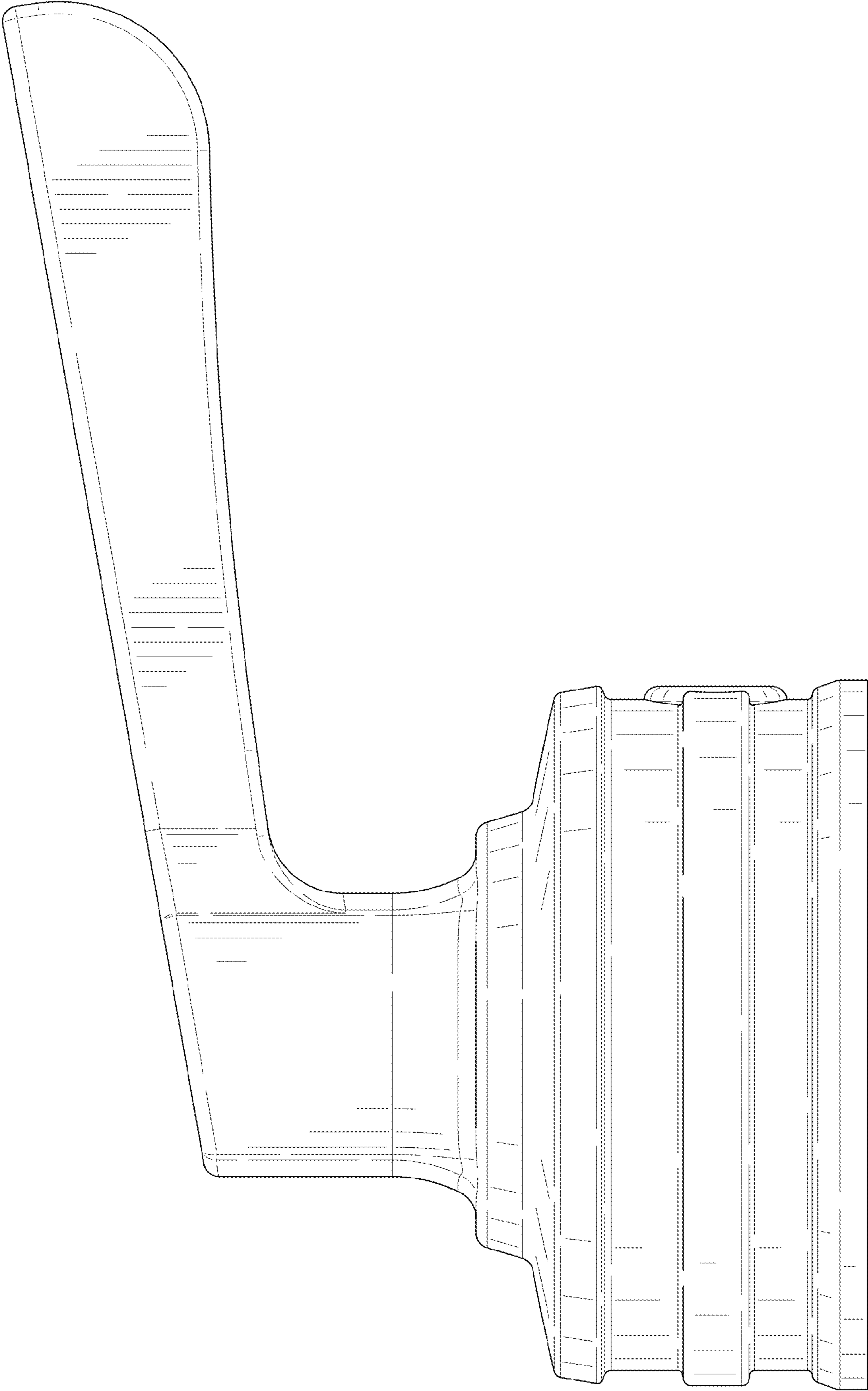


FIG. 5

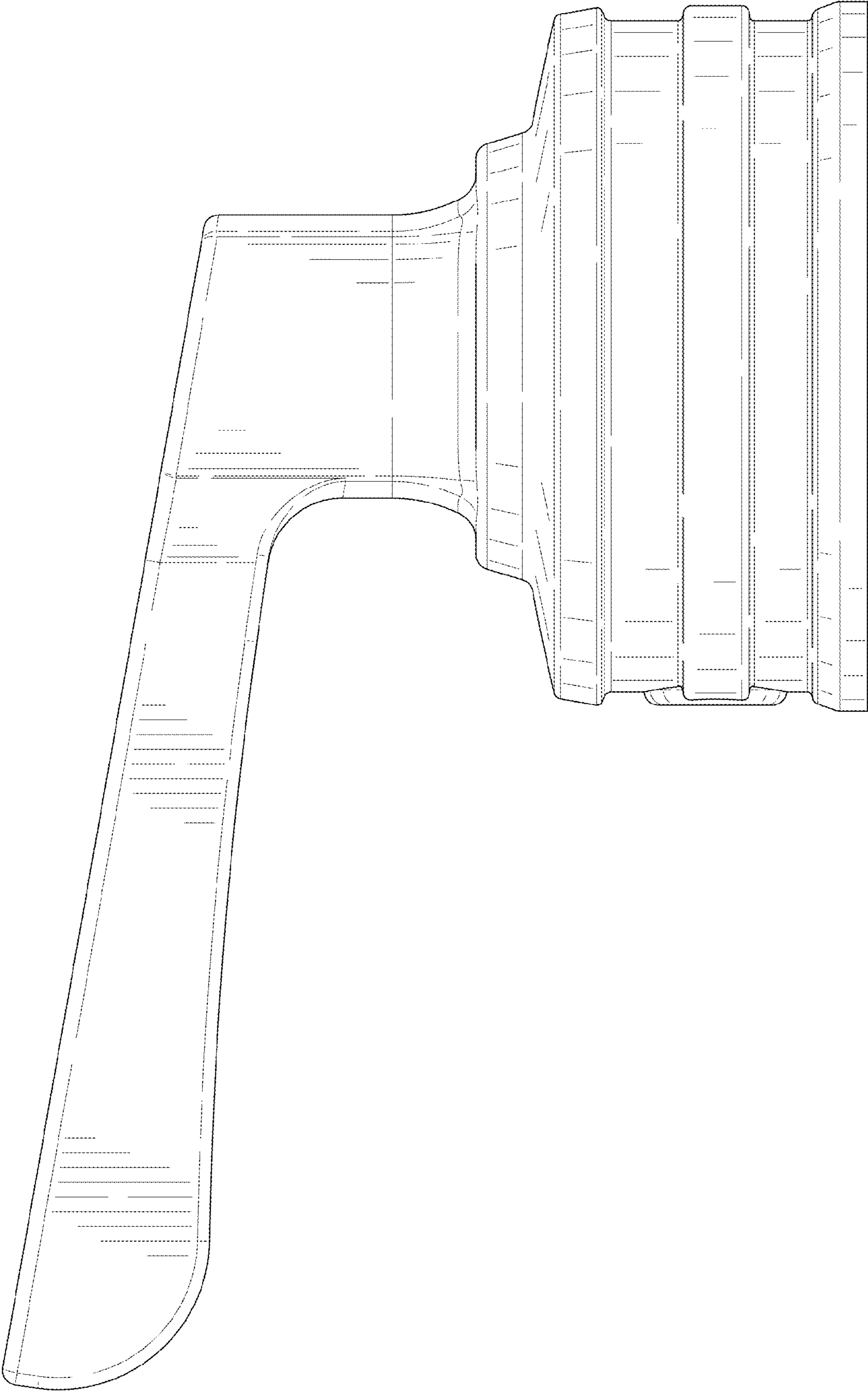


FIG. 6

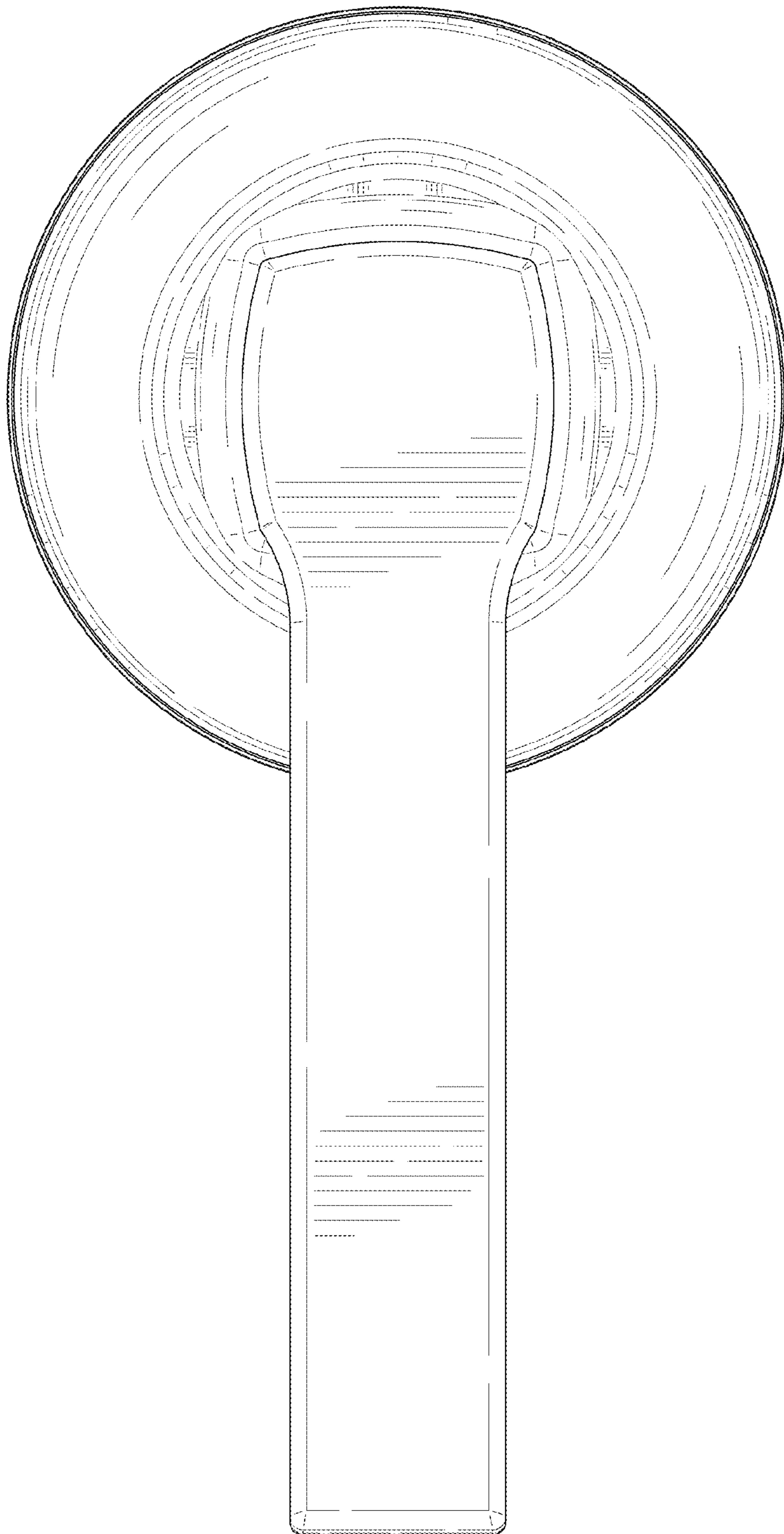


FIG. 7

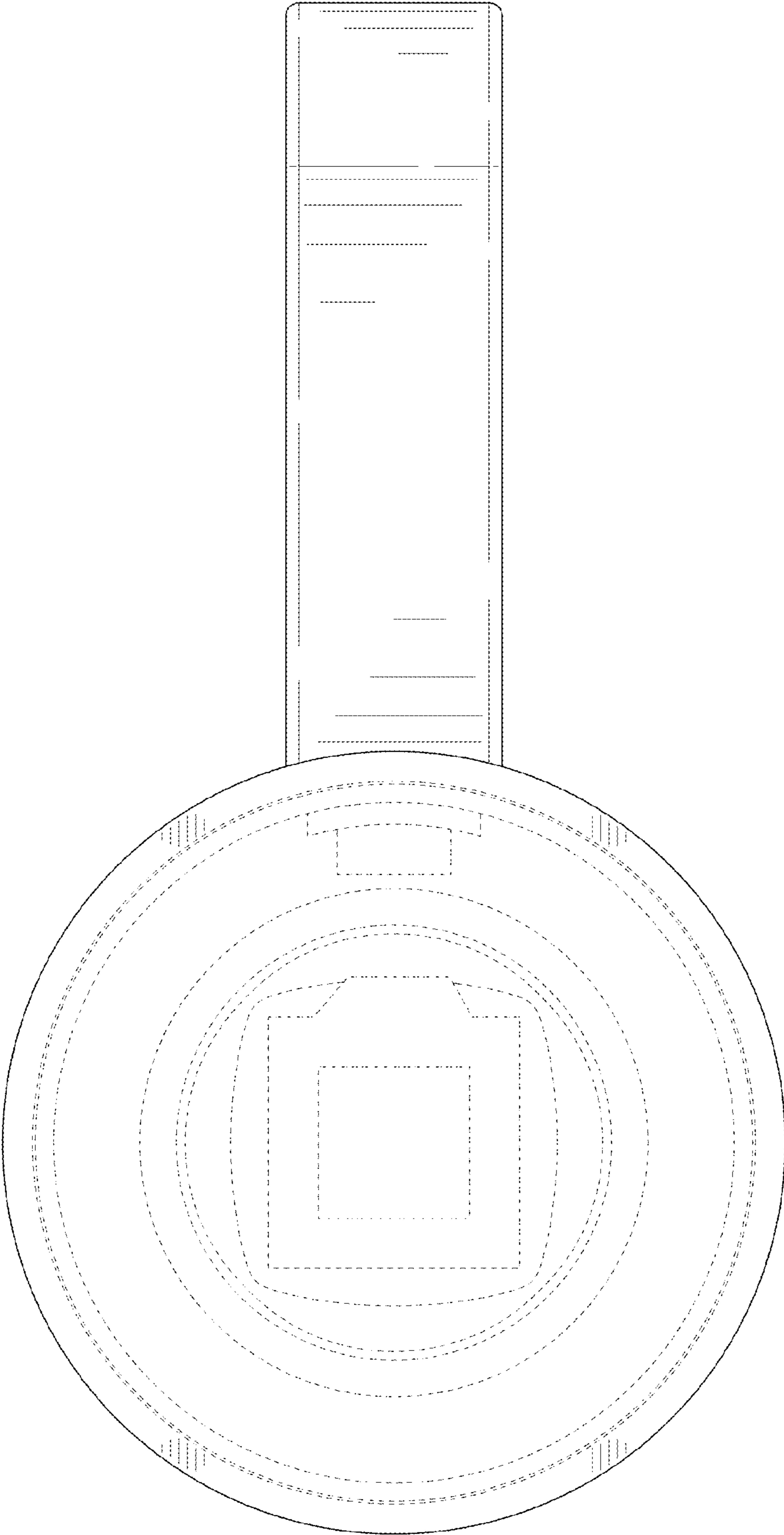


FIG. 8