



US00D965746S

(12) **United States Design Patent**  
**Qiu**

(10) **Patent No.:** **US D965,746 S**

(45) **Date of Patent:** **\*\* Oct. 4, 2022**

(54) **FAUCET HANDLE**

D851,219 S \* 6/2019 Chen ..... D23/252  
D930,795 S \* 9/2021 Guo ..... D23/252

(71) Applicant: **Chunhe Qiu**, Wenzhou (CN)

\* cited by examiner

(72) Inventor: **Chunhe Qiu**, Wenzhou (CN)

*Primary Examiner* — Robert A Delehanty

(\*\*) Term: **15 Years**

(74) *Attorney, Agent, or Firm* — Xiaofang Zhong; Law Office of Xiaofang Zhong, PLLC

(21) Appl. No.: **29/772,360**

(57) **CLAIM**

(22) Filed: **Mar. 1, 2021**

The ornamental design for a faucet handle, as shown and described.

(51) **LOC (13) Cl.** ..... **23-01**

**DESCRIPTION**

(52) **U.S. Cl.**  
USPC ..... **D23/252**

(58) **Field of Classification Search**  
USPC ..... D23/238–243, 249–250, 252;  
D8/307–308

FIG. 1 is a perspective view of a faucet handle showing my new design;

FIG. 2 is a front elevational view thereof;

FIG. 3 is a back elevational view thereof;

FIG. 4 is a right-side elevational view thereof;

FIG. 5 is a left-side elevational view thereof;

FIG. 6 is a top plan view thereof; and,

FIG. 7 is a bottom plan view thereof.

The broken lines in the drawings depict part of the faucet handle that form no part of the claimed design.

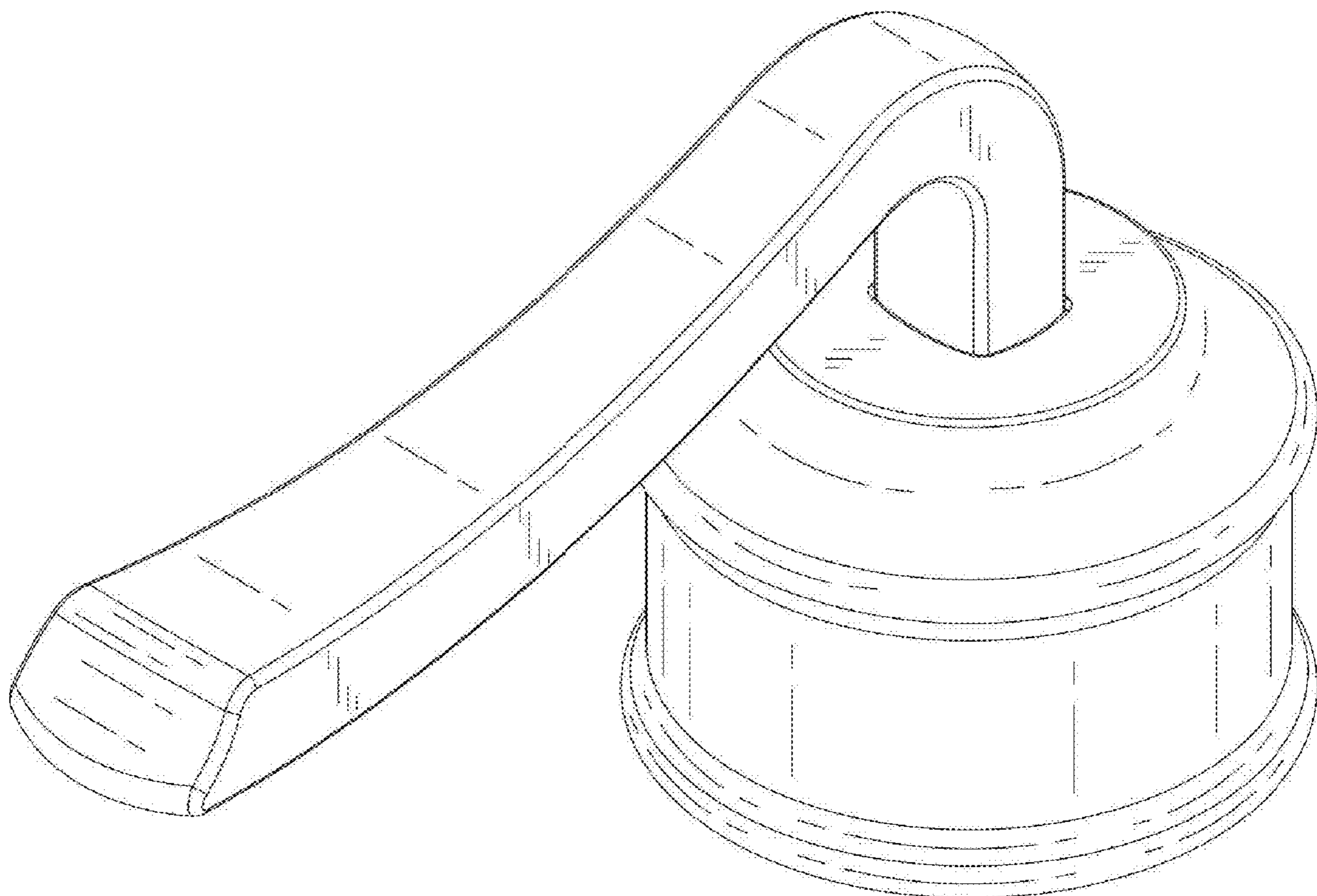
See application file for complete search history.

(56) **References Cited**

**U.S. PATENT DOCUMENTS**

D433,737 S \* 11/2000 Milrud ..... D23/250  
D596,713 S \* 7/2009 Haug ..... D23/252

**1 Claim, 7 Drawing Sheets**



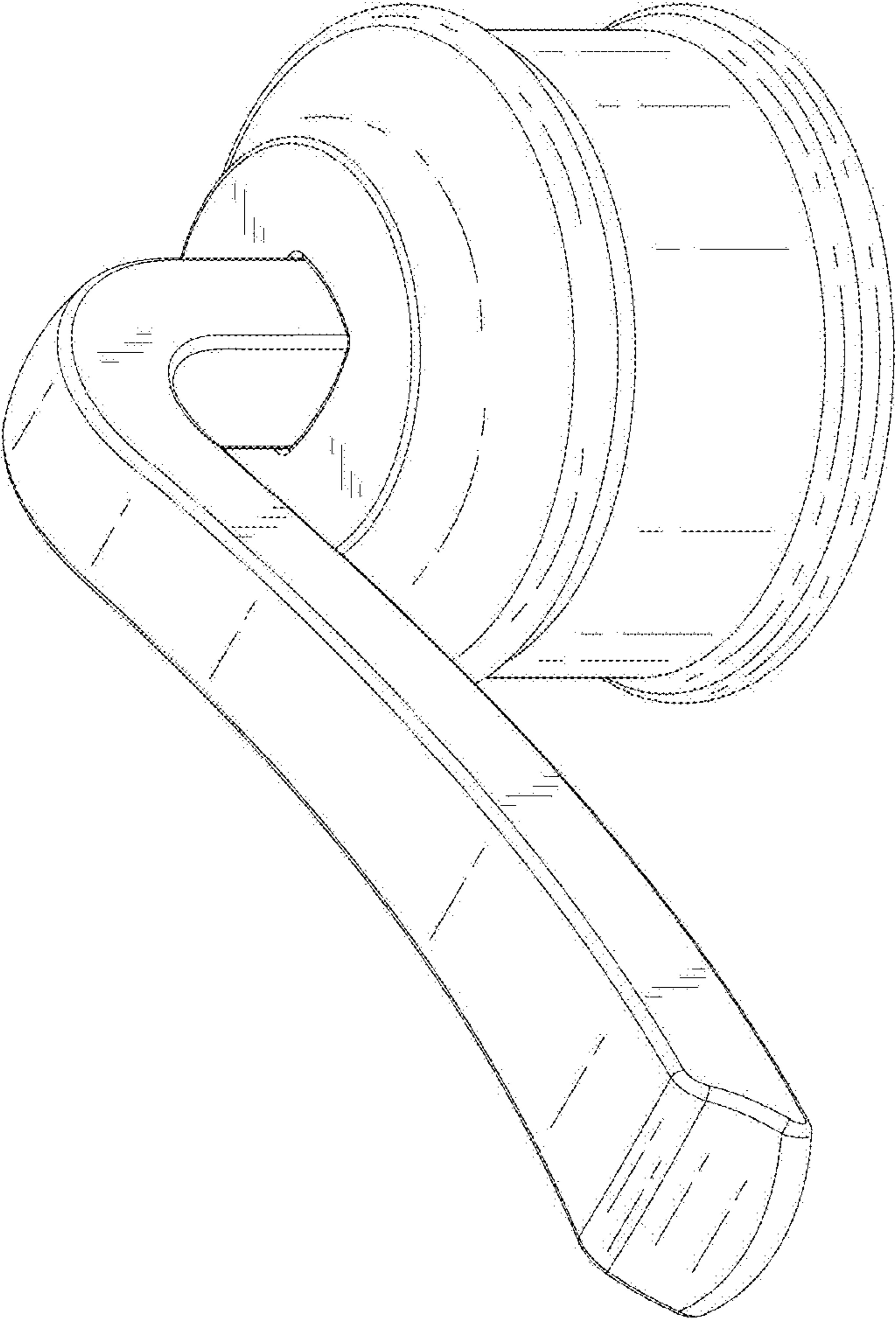


FIG. 1

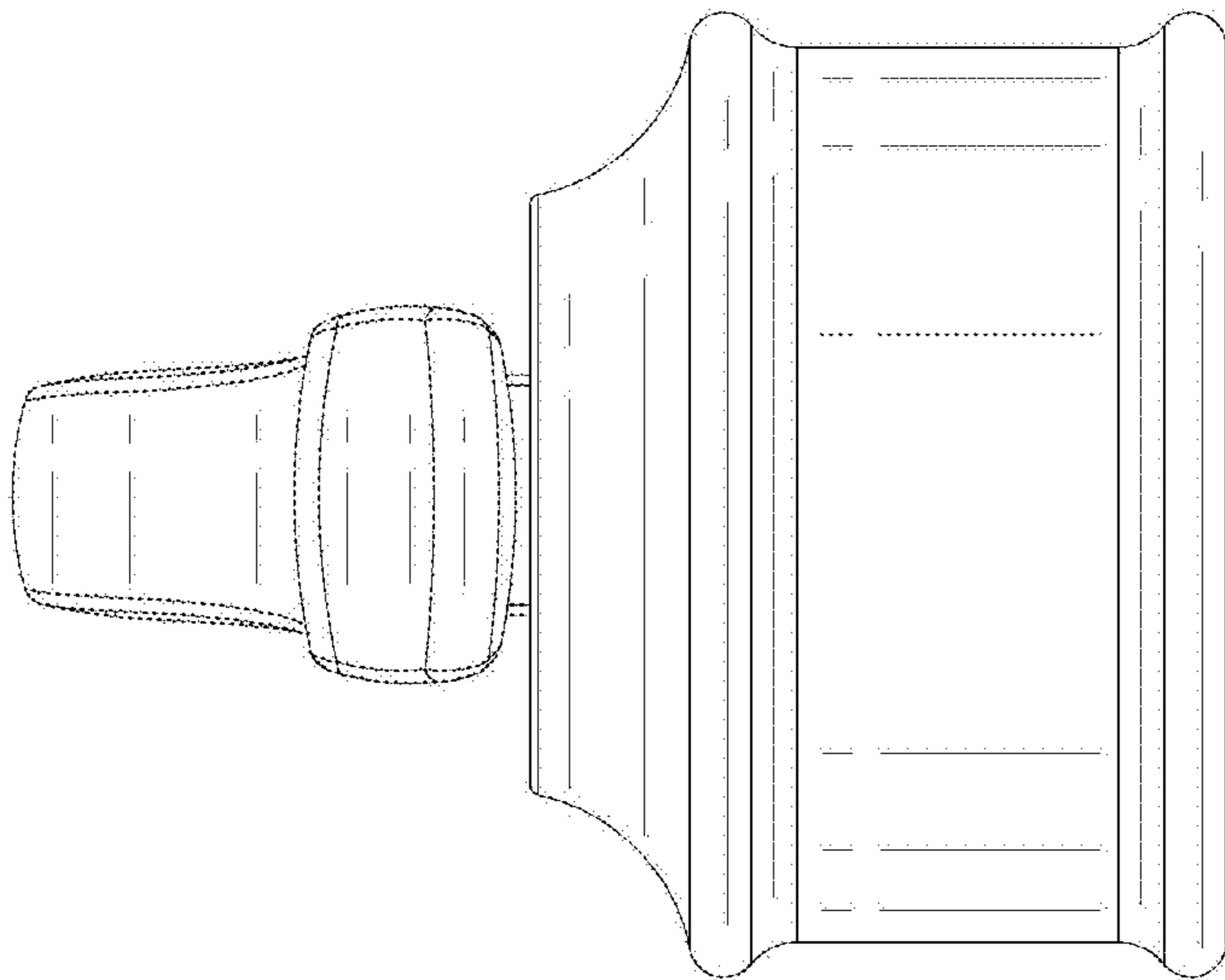


FIG. 2

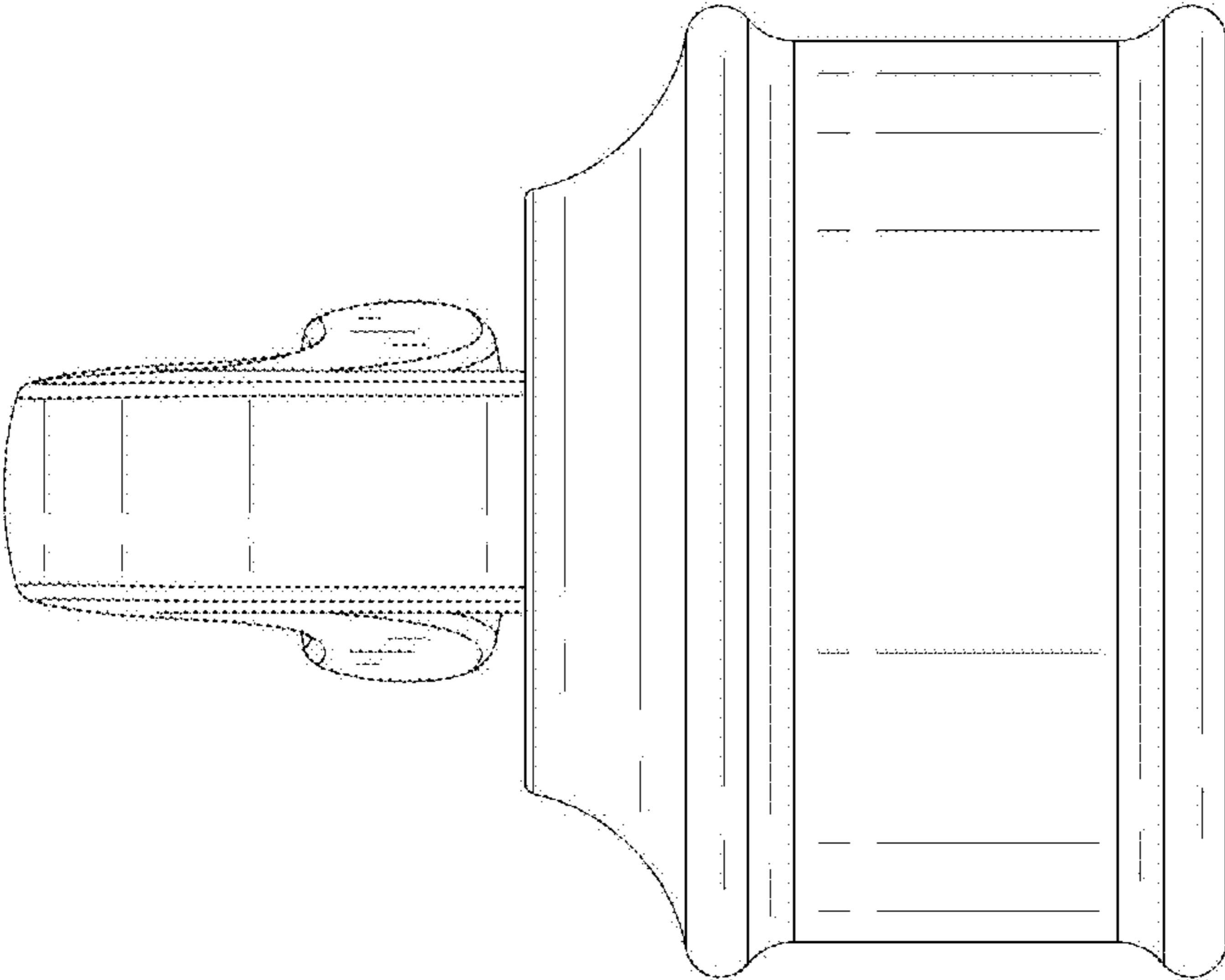


FIG. 3

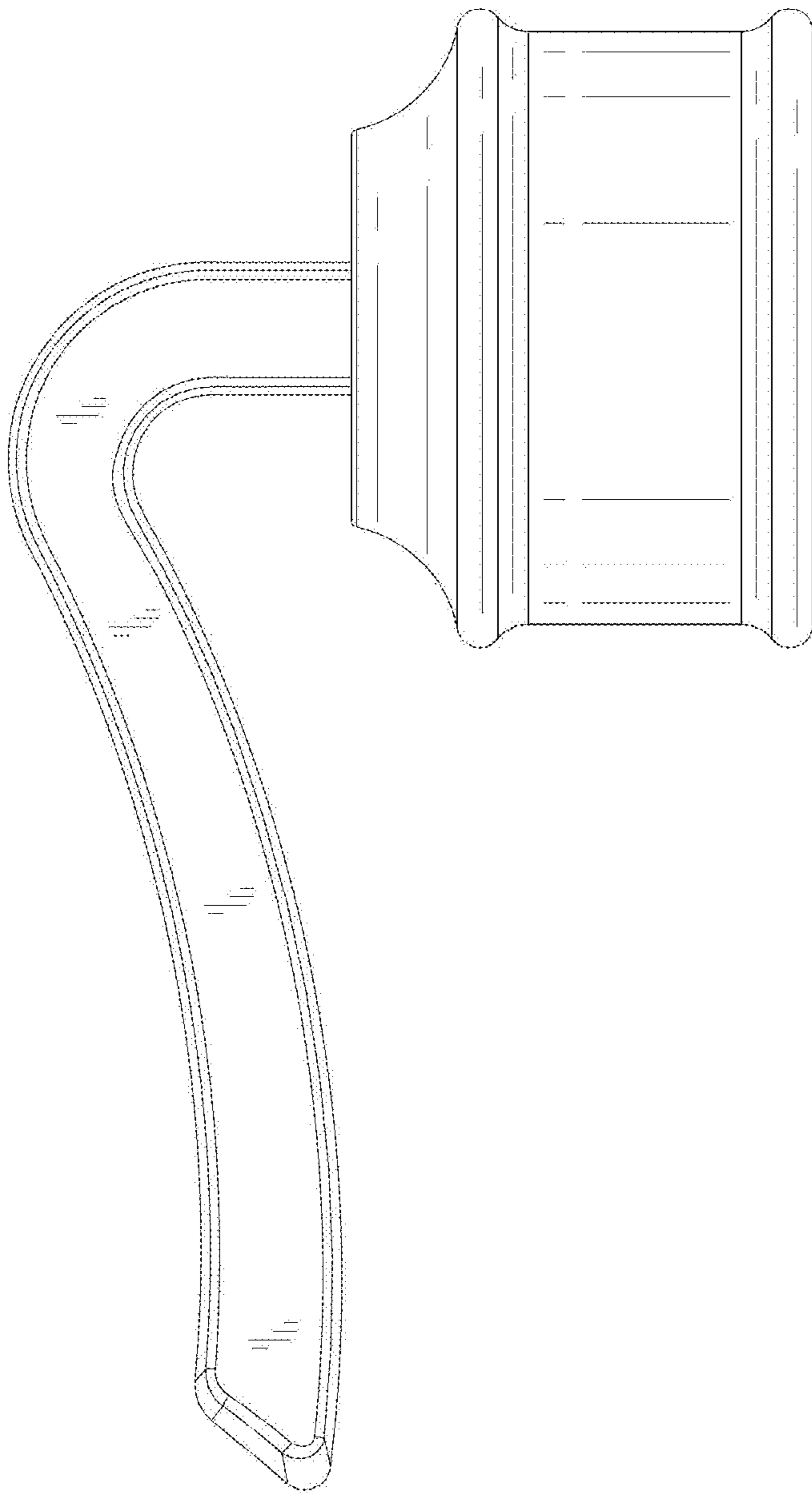


FIG. 4

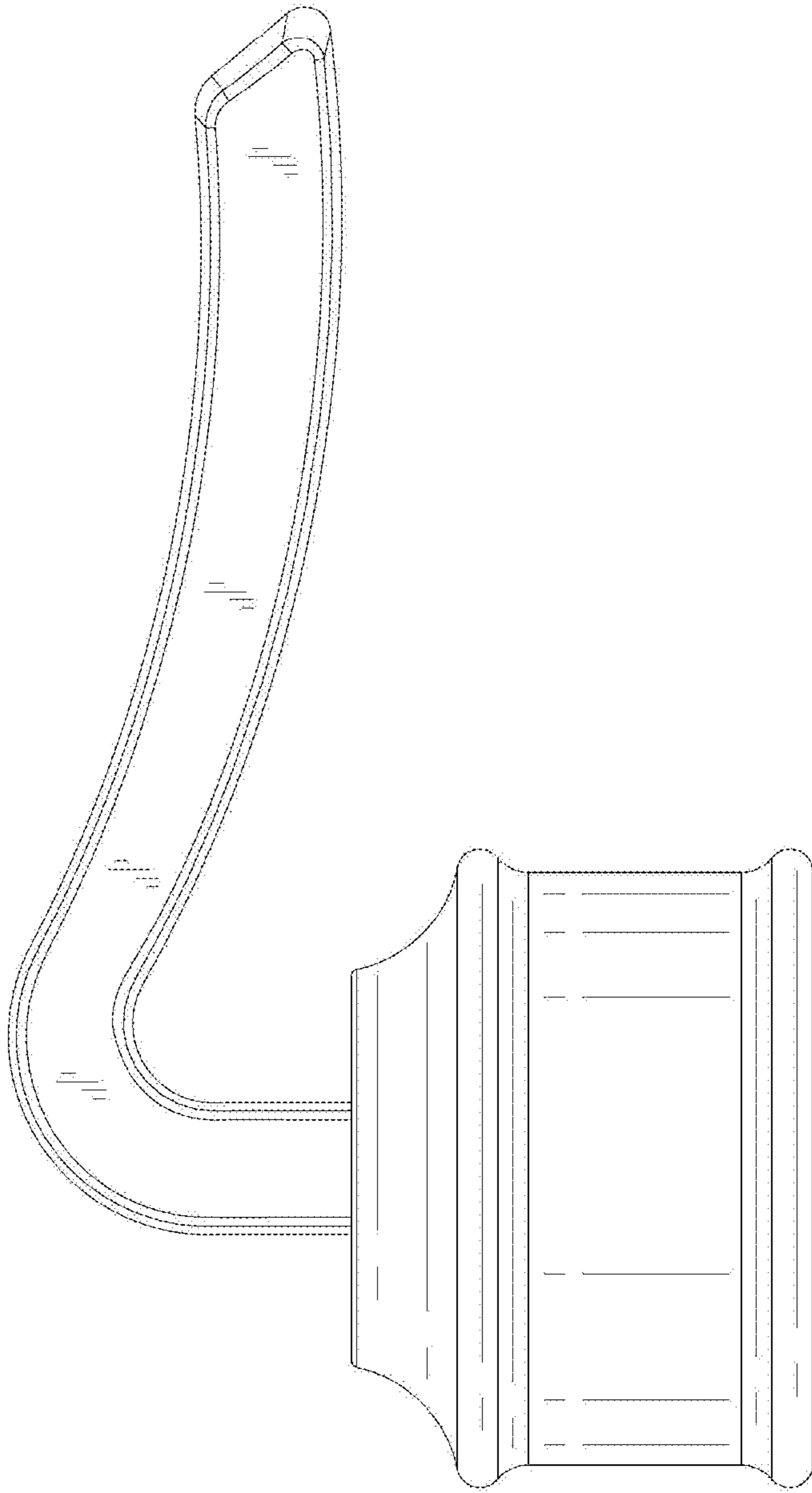


FIG. 5

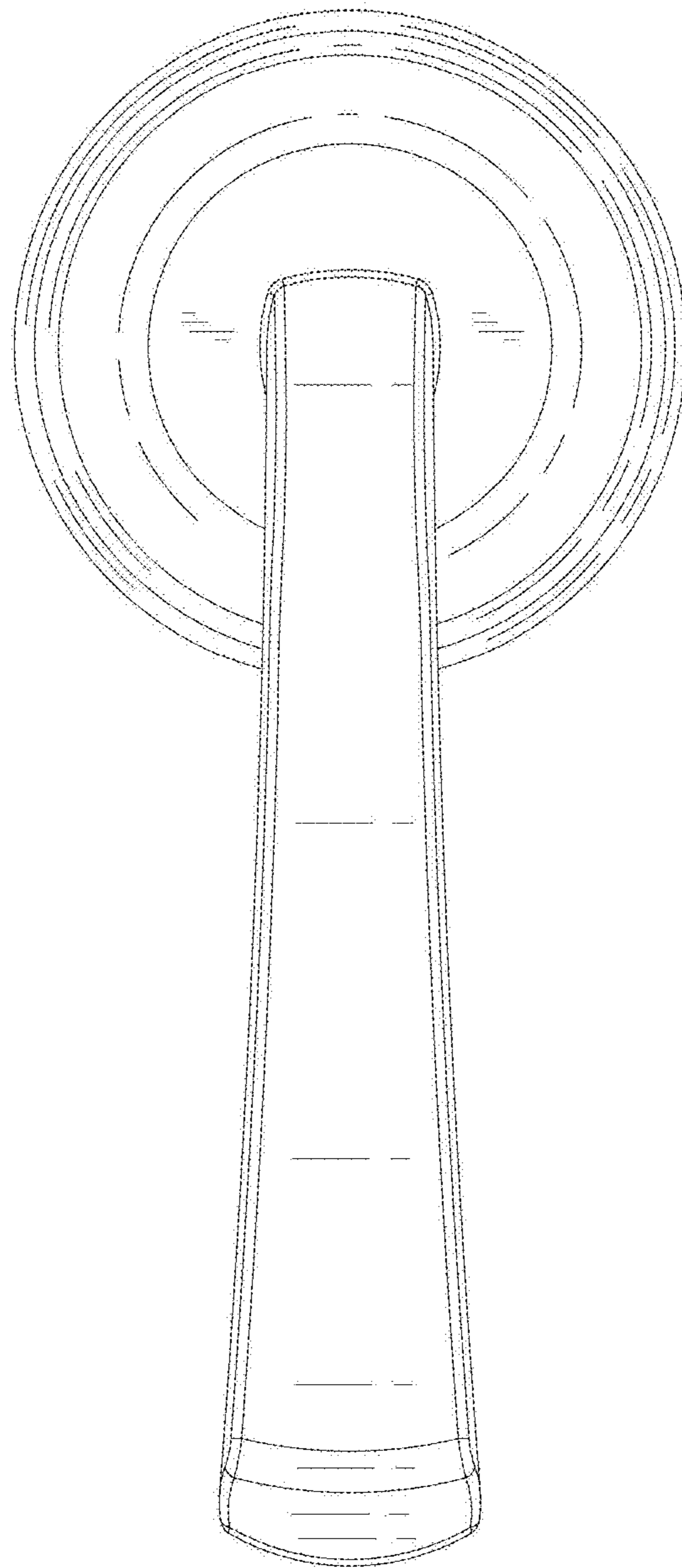


FIG. 6

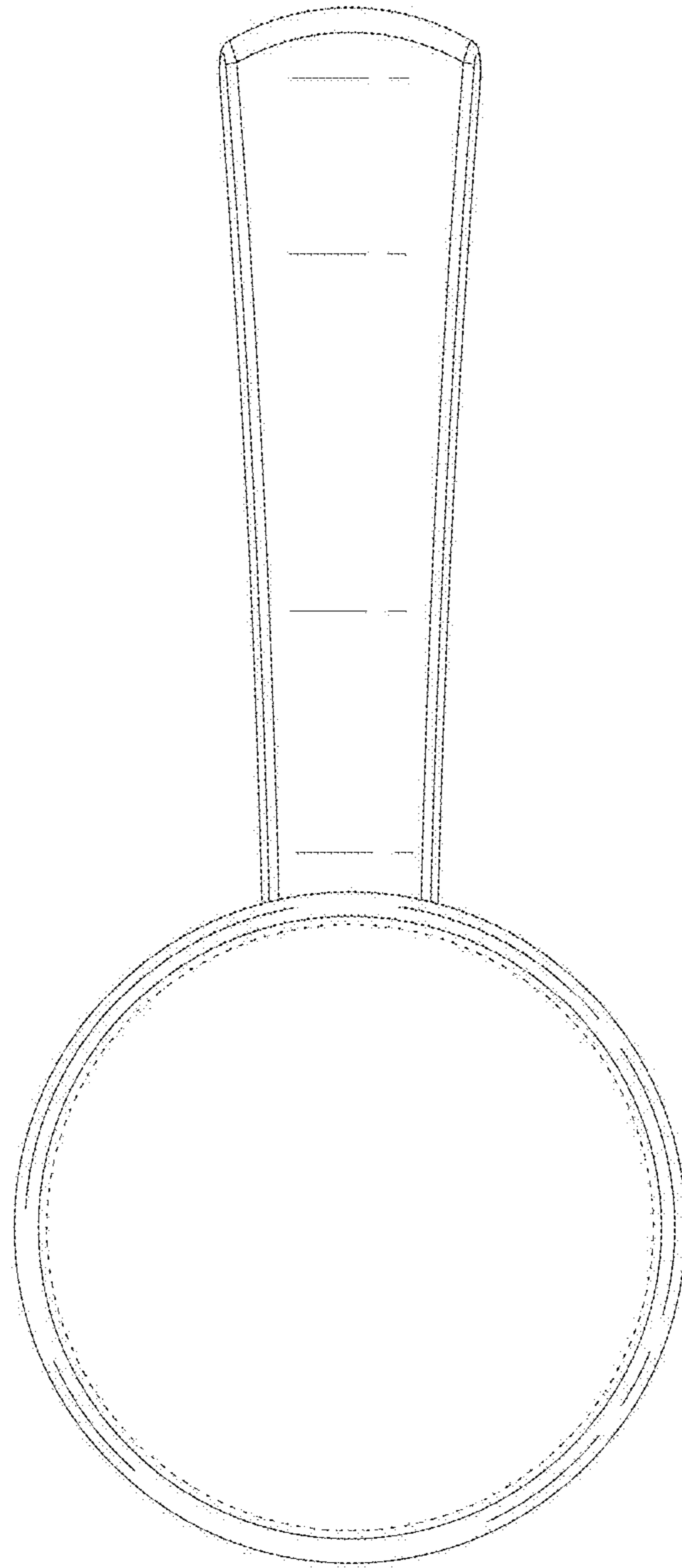


FIG. 7