



US00D965744S

(12) **United States Design Patent** (10) **Patent No.:** **US D965,744 S**
Li (45) **Date of Patent:** **** Oct. 4, 2022**

(54) **HAND-HELD ELECTROSTATIC AEROSOL SPRAYER**

(71) Applicant: **HENAN STORM FOG ENVIRONMENTAL TECHNOLOGY CO, LTD**, Yuanyang (CN)

(72) Inventor: **Jianli Li**, Yuanyang (CN)

(**) Term: **15 Years**

(21) Appl. No.: **29/774,300**

(22) Filed: **Mar. 16, 2021**

(30) **Foreign Application Priority Data**

Dec. 5, 2020 (CN) 202030748314.6

(51) **LOC (13) Cl.** **23-01**

(52) **U.S. Cl.**
USPC **D23/225**

(58) **Field of Classification Search**
USPC D23/207–208, 213, 215, 225–226, 29,
D23/250–251, 255–256, 387
CPC A61H 9/0021; A61H 33/00; B05B 1/00;
B05B 1/14; B05B 1/185; B05B 1/08;
B05B 1/02; B05B 1/26; B05B 12/002
See application file for complete search history.

(56) **References Cited**

U.S. PATENT DOCUMENTS

- D608,856 S 1/2010 Dammkoehler
- D660,941 S * 5/2012 Perez D23/225
- D742,998 S * 11/2015 Gooden B05B 7/2443
D23/225
- D749,698 S * 2/2016 Pereira Dos Reis D23/225
- D757,214 S 5/2016 Richter et al.
- D758,536 S * 6/2016 Olson D23/225
- D770,015 S 10/2016 Wright
- D770,594 S * 11/2016 Dammkoehler D23/226
- D809,100 S * 1/2018 Hong D23/225

- D814,610 S * 4/2018 Dawson D23/225
- D844,106 S * 3/2019 Dawson D23/225
- D891,582 S * 7/2020 Hamlin D23/226
- D918,341 S * 5/2021 Wang A61M 3/0275
D23/225
- D929,539 S * 8/2021 Stech D23/226
- D930,113 S * 9/2021 Dubiel D23/213
- D934,383 S * 10/2021 Stech D23/226
- D937,387 S * 11/2021 Mulgrew D23/226

(Continued)

Primary Examiner — Karen S Acker
Assistant Examiner — Jonathan E Fiencke

(57) **CLAIM**

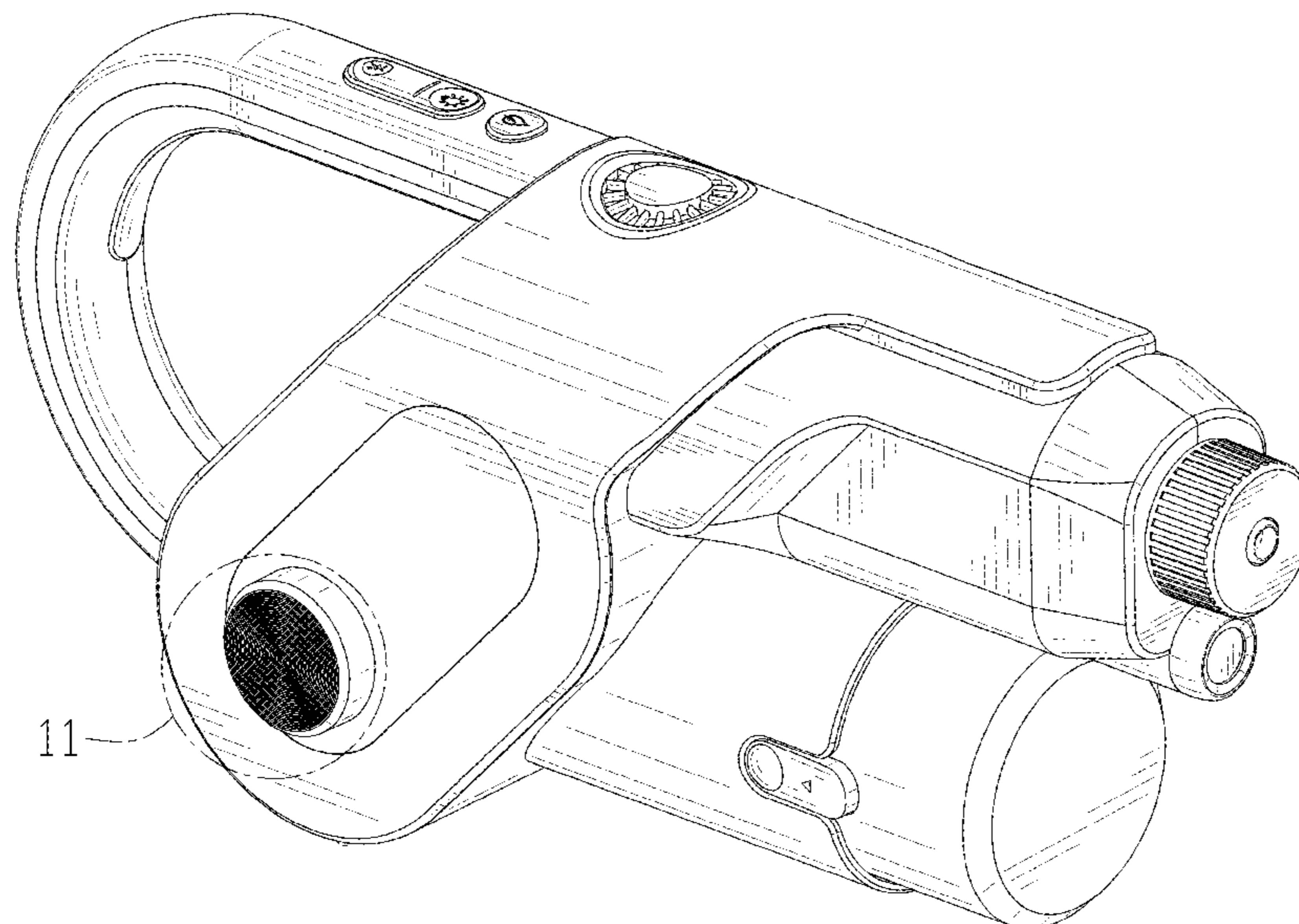
The ornamental design for a hand-held electrostatic aerosol sprayer, as shown and described.

DESCRIPTION

FIG. 1 is a perspective view of a hand-held electrostatic aerosol sprayer showing my new design;
 FIG. 2 is a front view thereof;
 FIG. 3 is a back view thereof;
 FIG. 4 is a left side view thereof;
 FIG. 5 is a right side view thereof;
 FIG. 6 is a top view thereof;
 FIG. 7 is a bottom view thereof;
 FIG. 8 is an exploded perspective view thereof;
 FIG. 9 is an enlarged view of area 9 circumscribed within FIG. 8;
 FIG. 10 is an enlarged view of area 10 circumscribed within FIG. 8; and,
 FIG. 11 is an enlarged view of area 11 circumscribed within FIG. 1.

The evenly spaced broken lines and unshaded areas adjacent to solid lines shown in the drawings depict portions of the hand-held electrostatic aerosol sprayer in which the design is embodied that form no part of the claimed design. The dot dash dot broken lines denote the boundaries of the detail areas and form no part of the claimed design.

1 Claim, 11 Drawing Sheets



(56)

References Cited

U.S. PATENT DOCUMENTS

D942,588 S * 2/2022 Alexander D23/226
D942,722 S * 2/2022 Lin D32/25
D944,363 S * 2/2022 Currier D23/226
D946,114 S * 3/2022 Sides D23/226
D947,992 S * 4/2022 Yang D23/226
2020/0345925 A1 * 11/2020 Thiessies A61M 3/0275

* cited by examiner

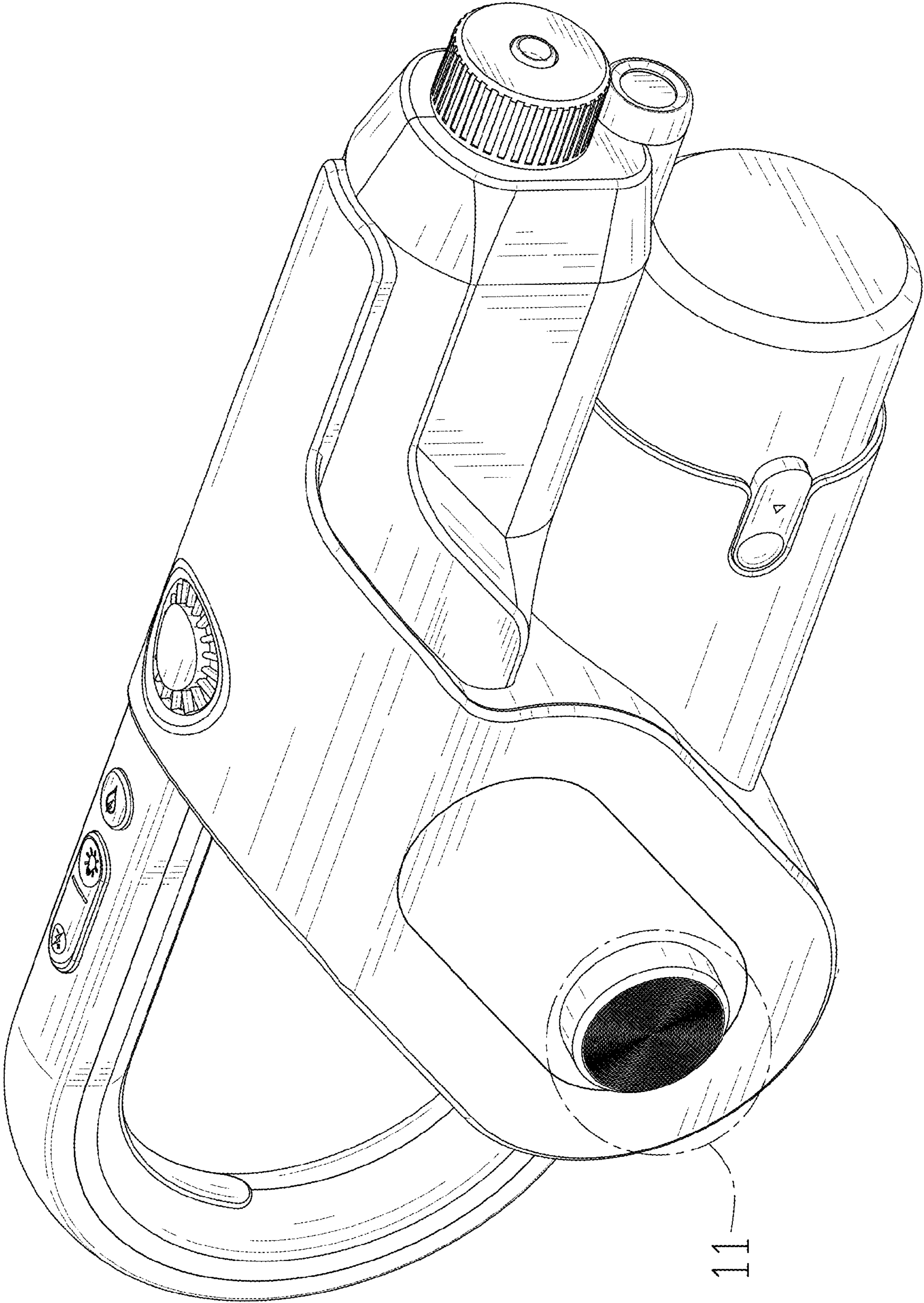


FIG. 1

11

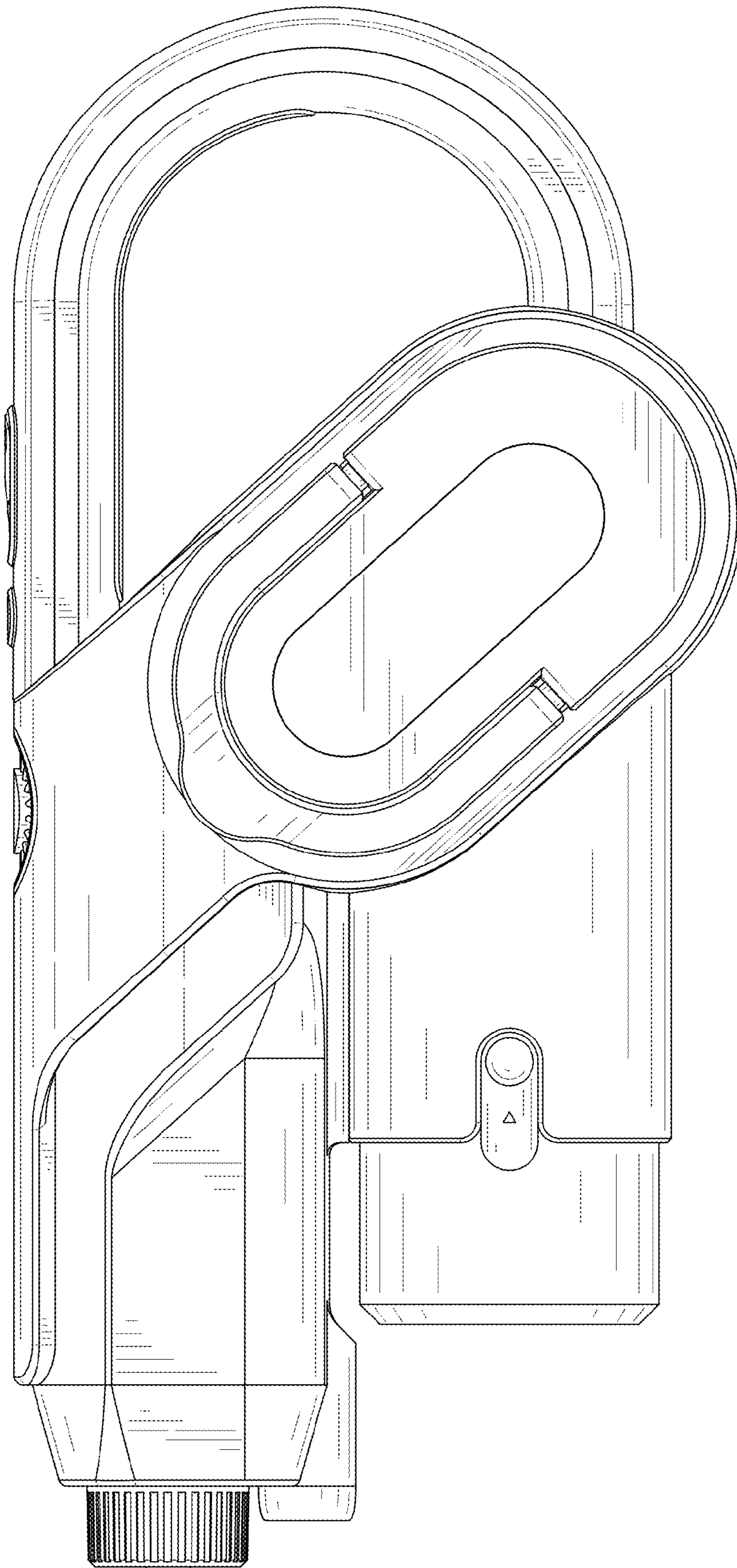


FIG. 2

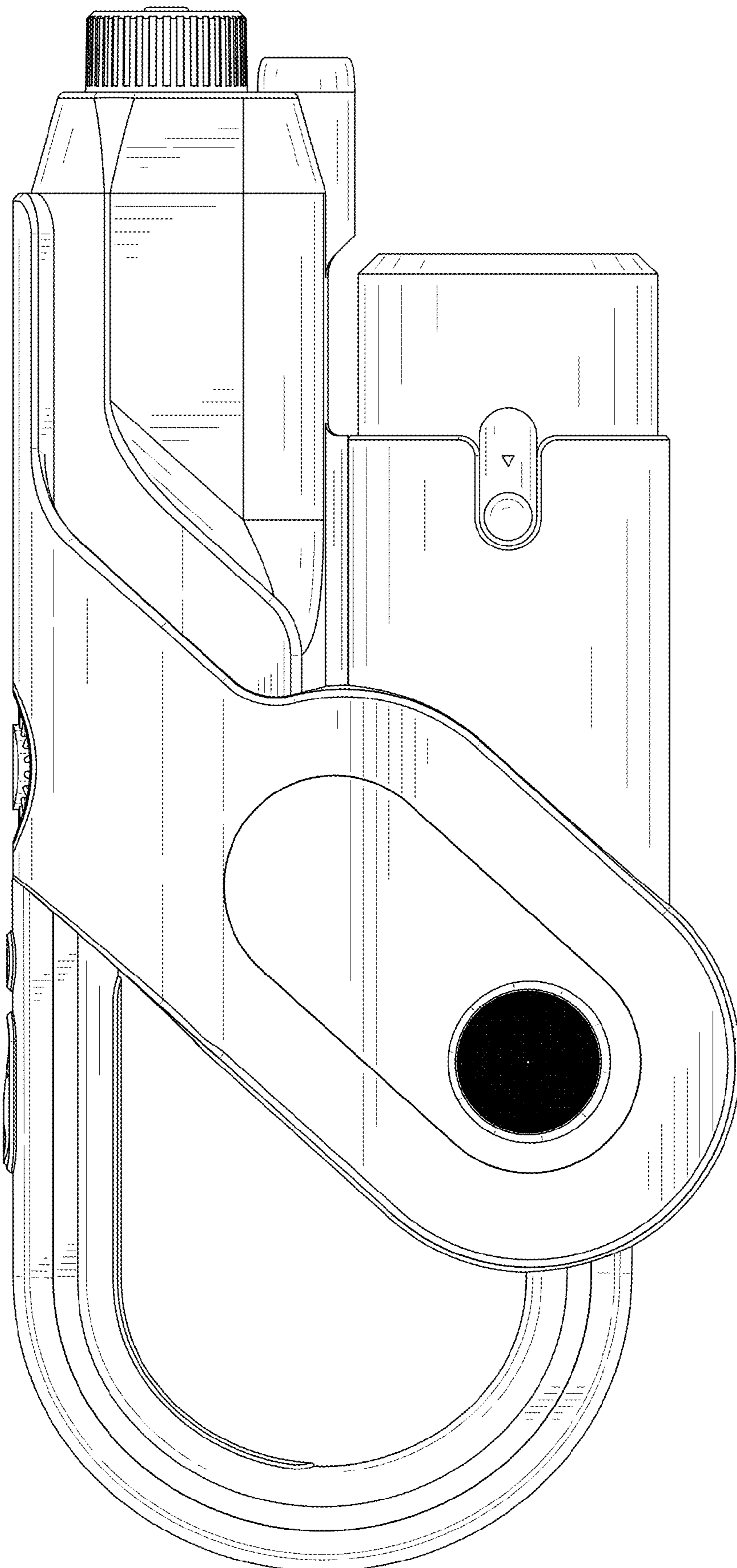


FIG. 3

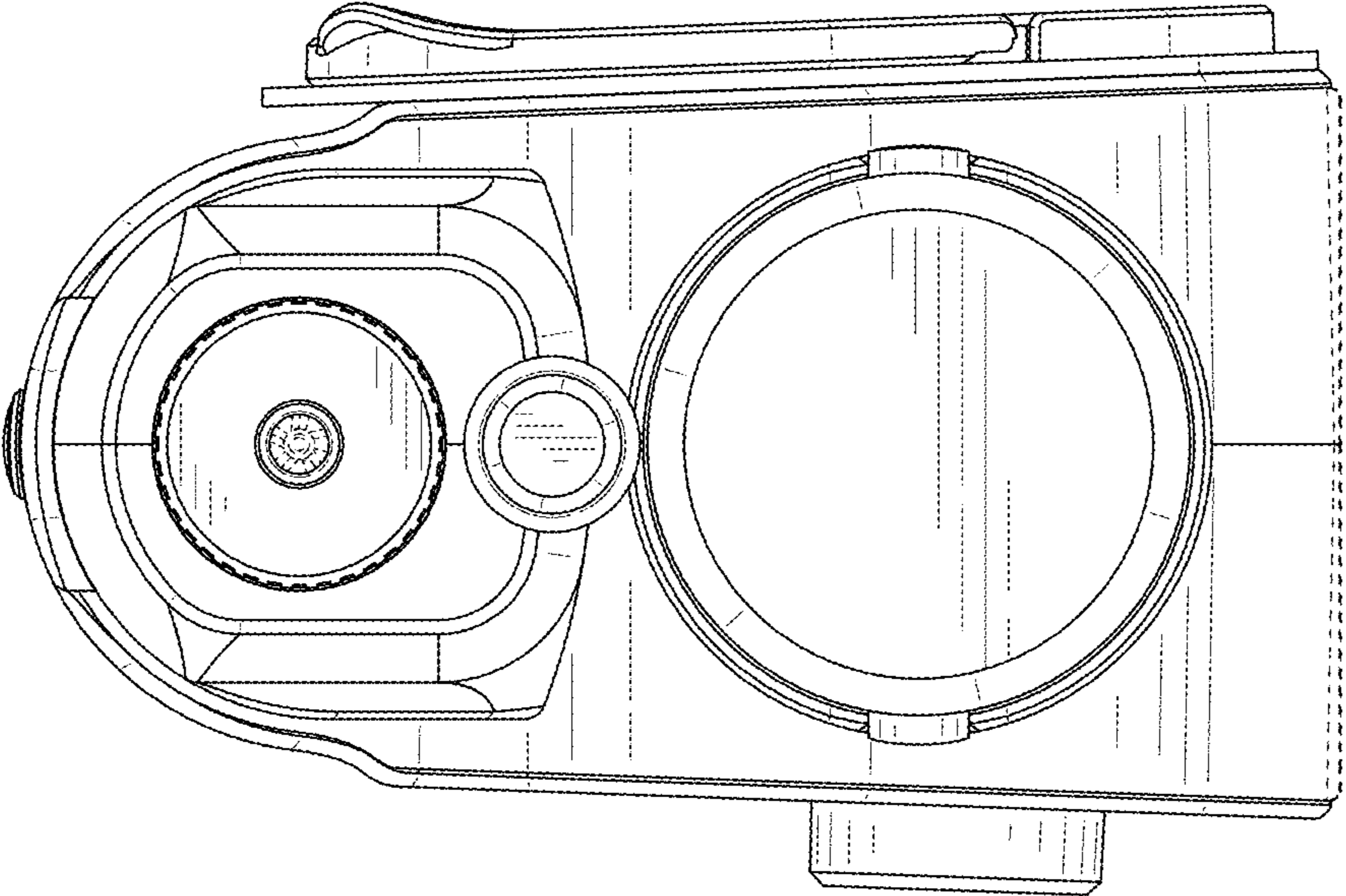


FIG. 4

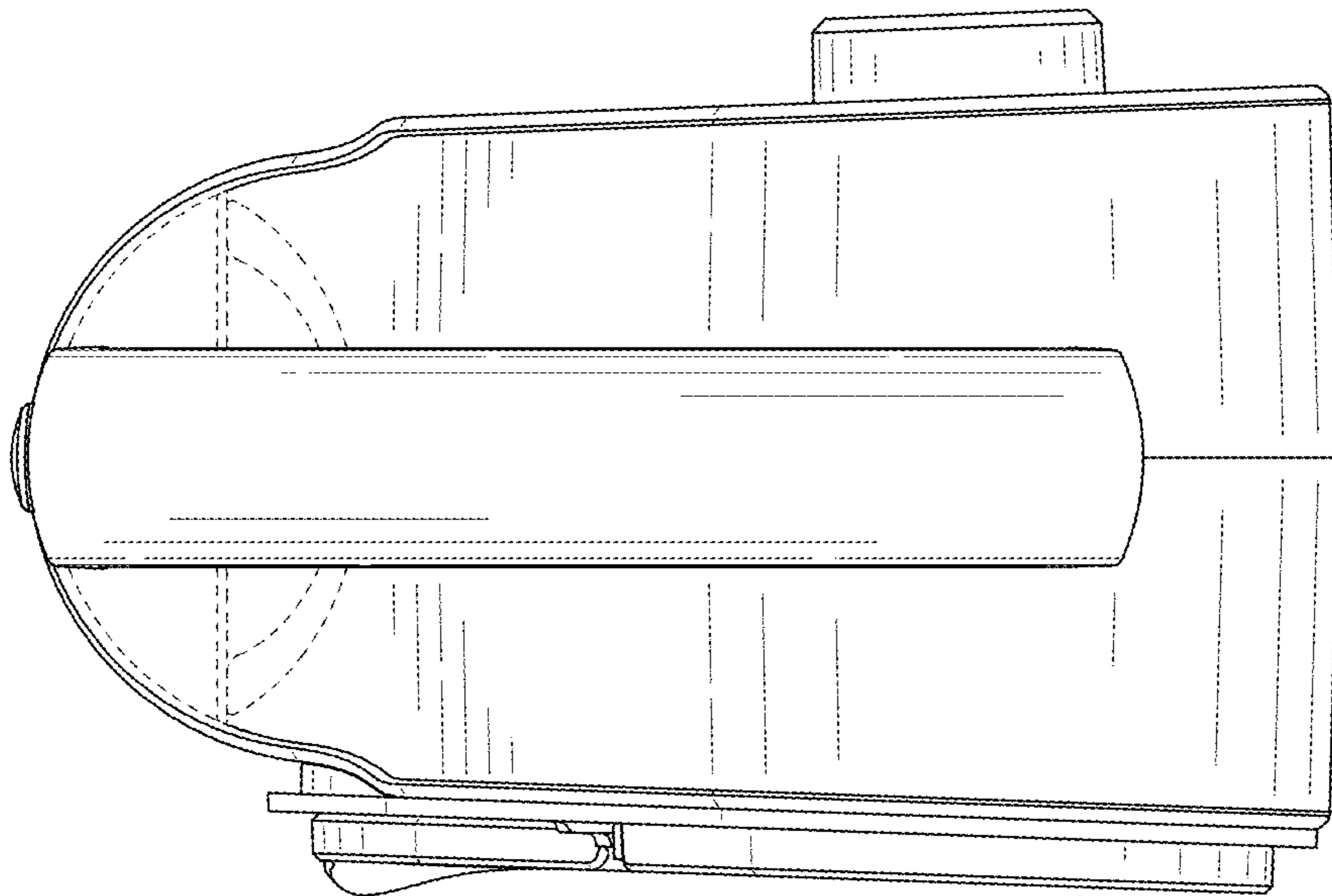


FIG. 5

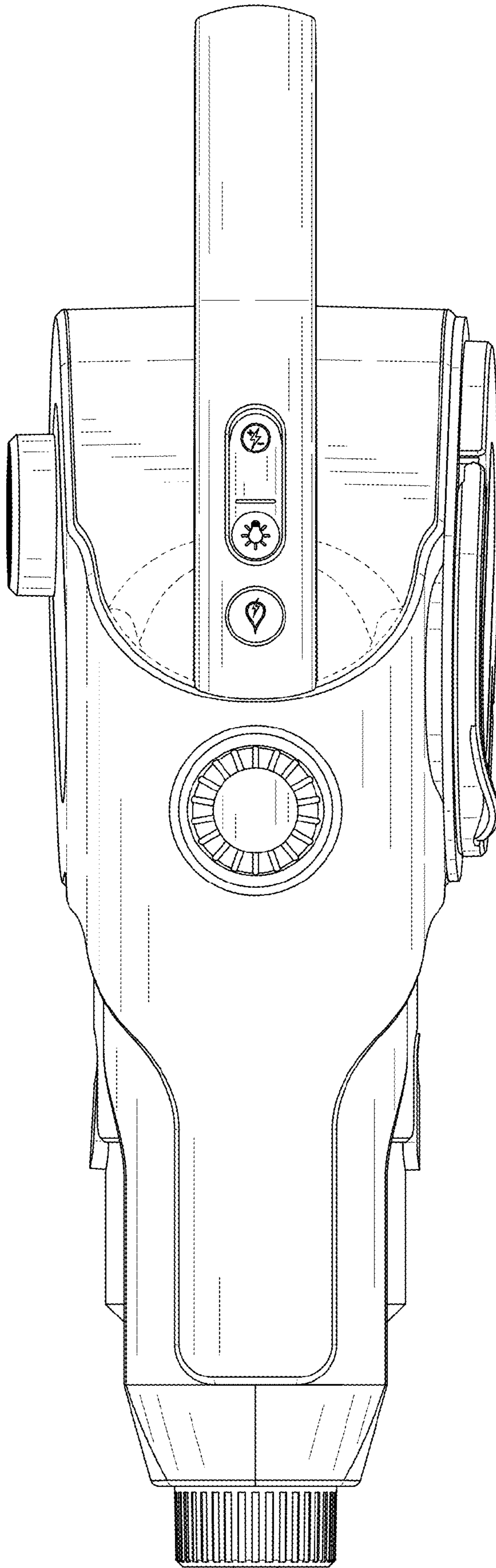


FIG. 6

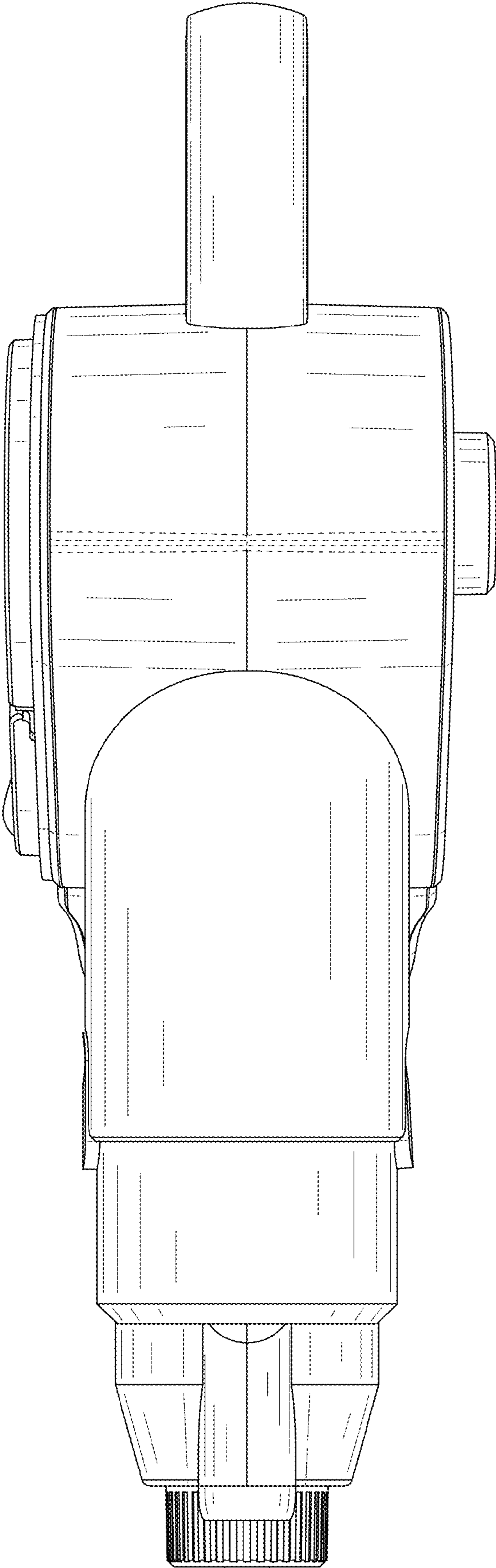


FIG. 7

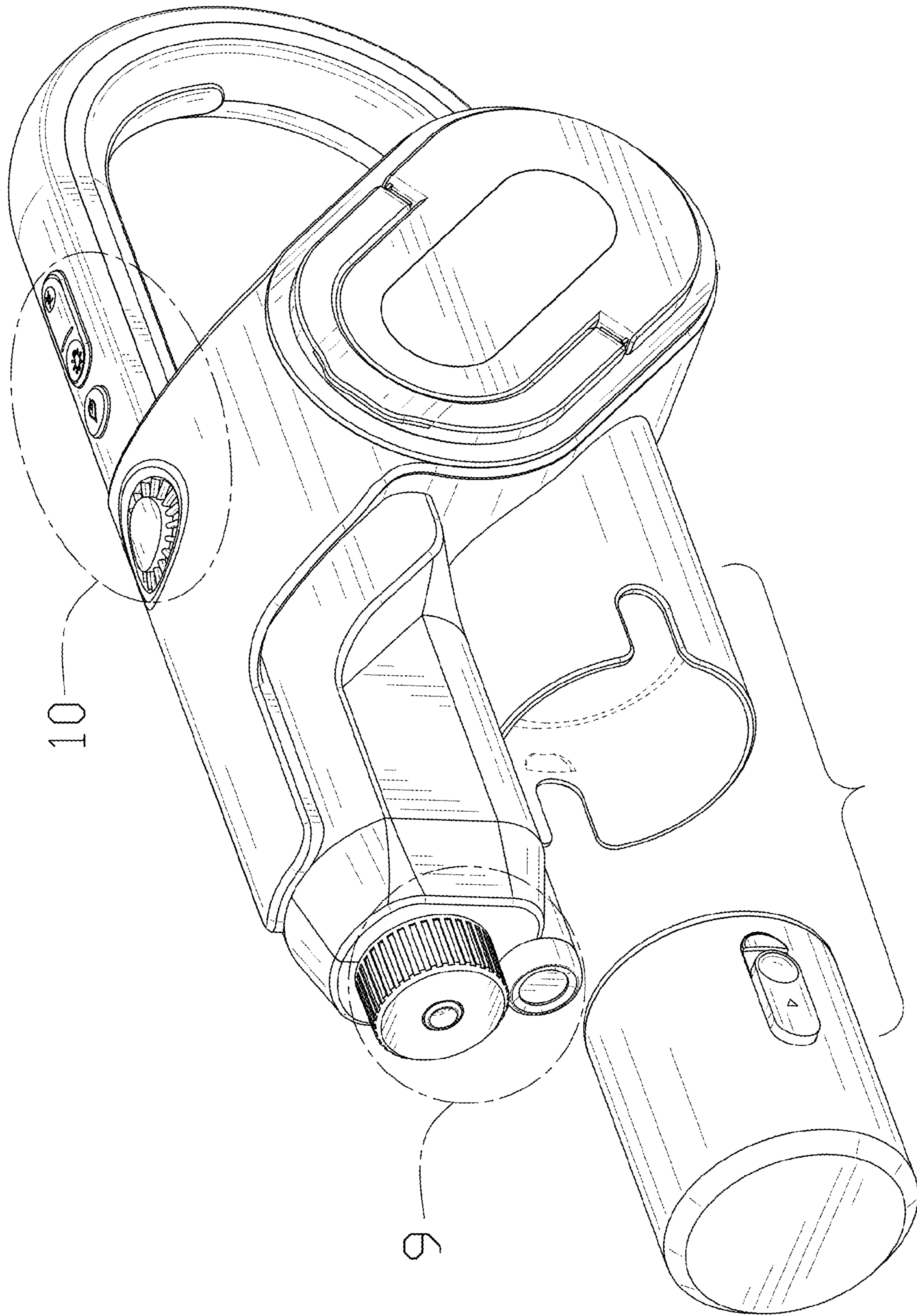


FIG. 8

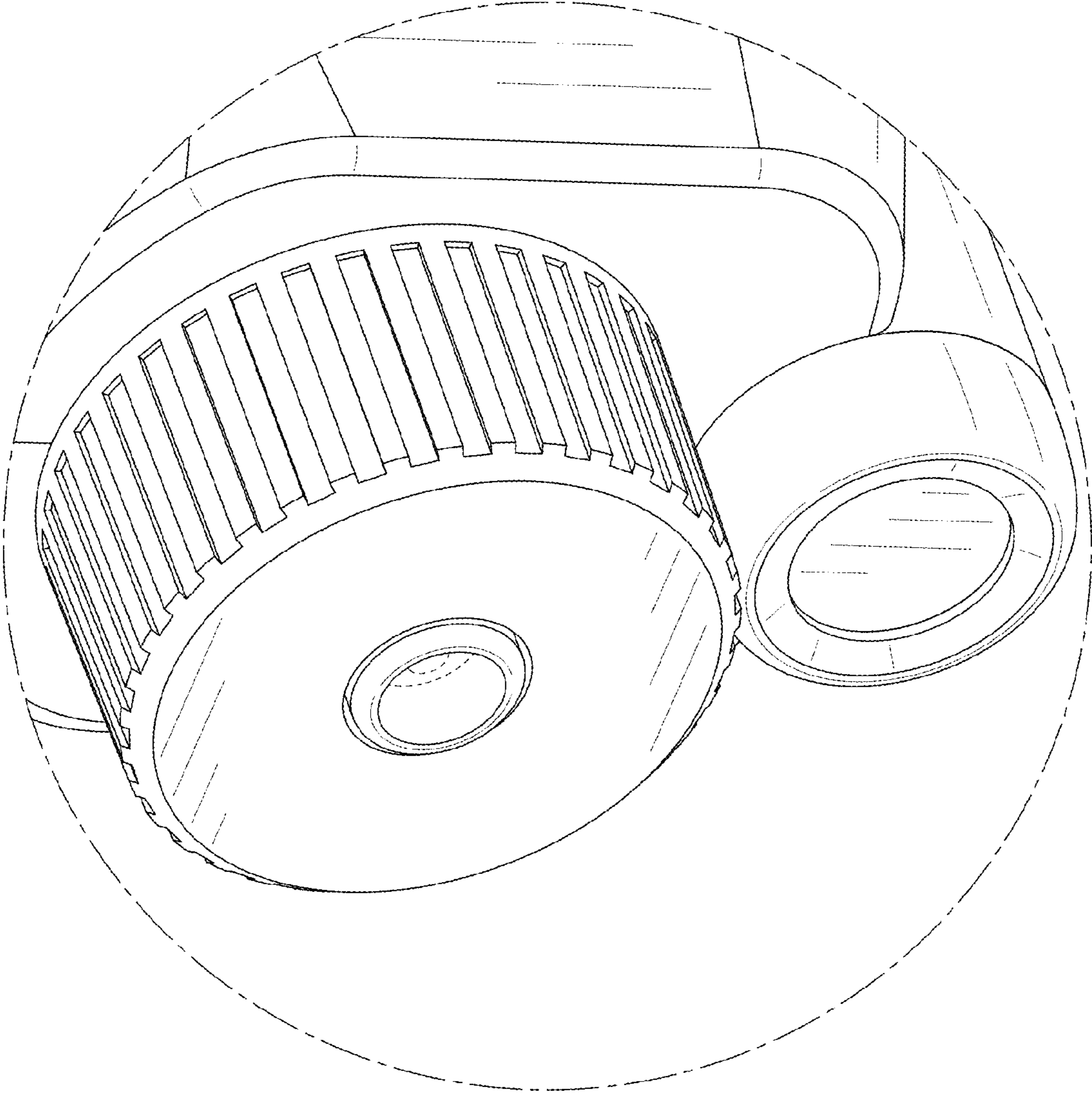


FIG. 9

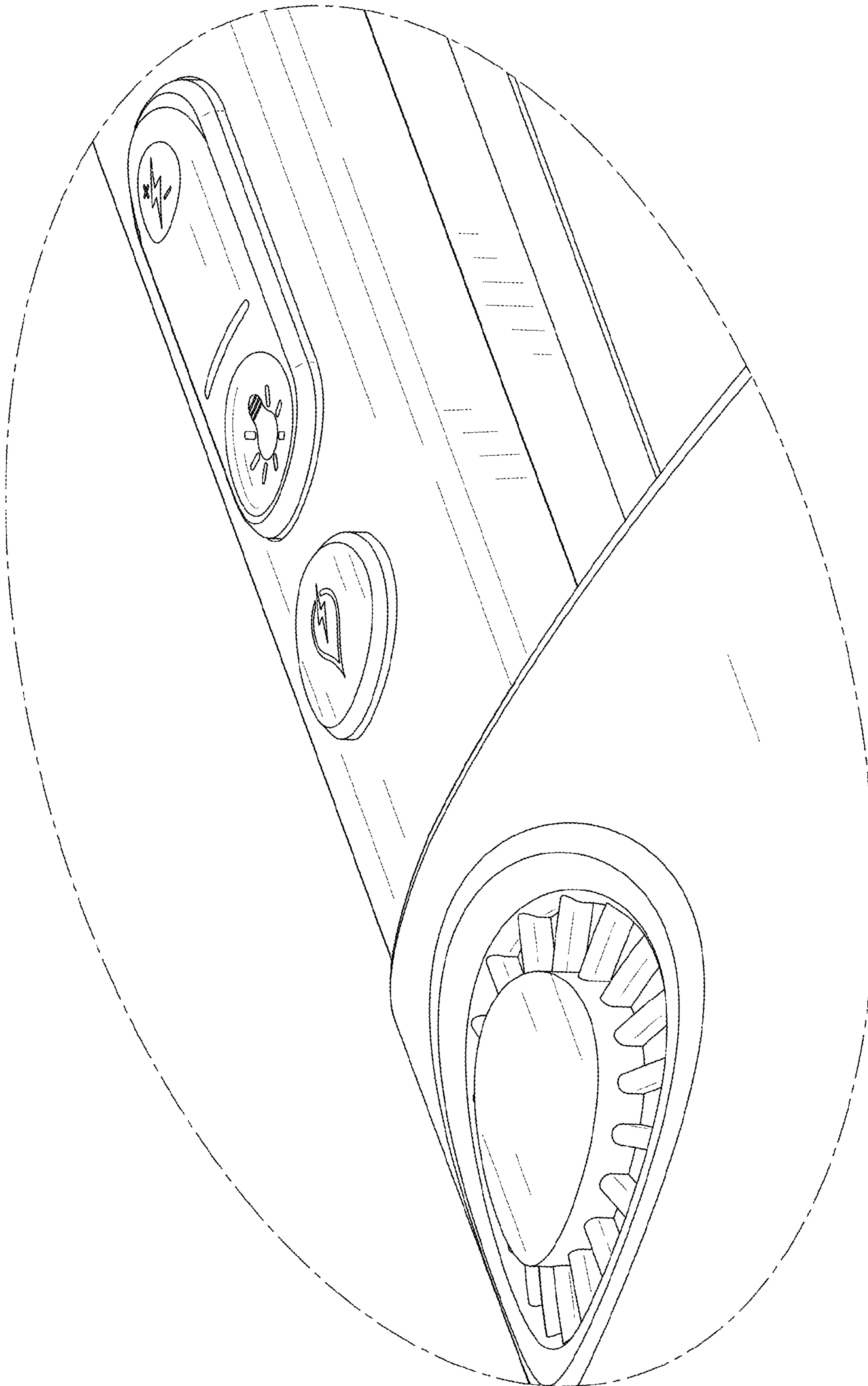


FIG. 10

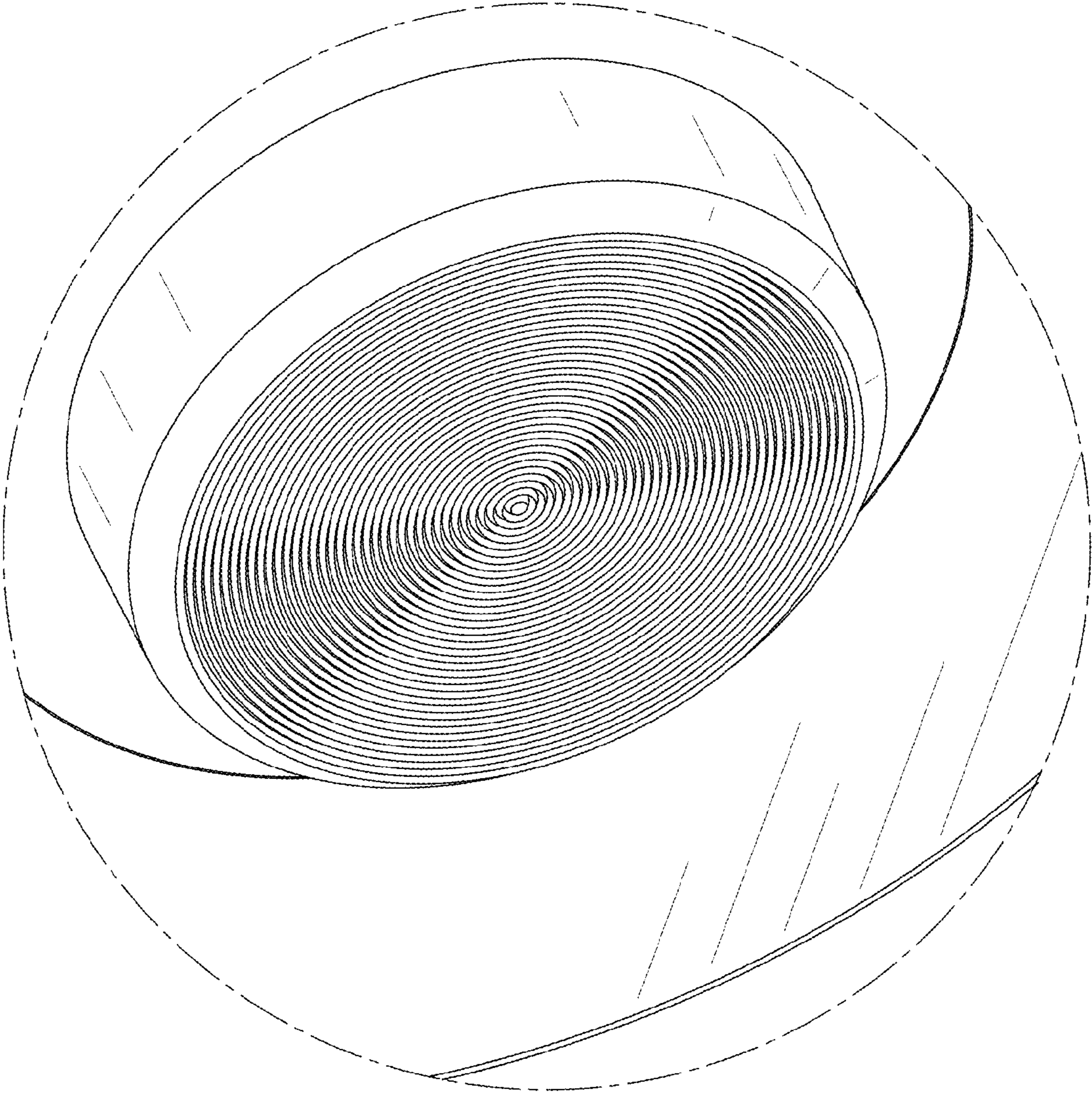


FIG. 11