

US00D965741S

(12) **United States Design Patent** (10) **Patent No.:** **US D965,741 S**
Bao (45) **Date of Patent:** **** Oct. 4, 2022**

(54) **SHOWER SYSTEM**

(71) Applicant: **WENZHOU MAITEWUSI HOUSEHOLD CO., LTD**, Wenzhou (CN)

(72) Inventor: **Mingming Bao**, Wenzhou (CN)

(73) Assignee: **WENZHOU MAITEWUSI HOUSEHOLD CO., LTD**, Wenzhou (CN)

(**) Term: **15 Years**

(21) Appl. No.: **29/829,562**

(22) Filed: **Mar. 6, 2022**

(51) **LOC (13) Cl.** **23-01**

(52) **U.S. Cl.**
USPC **D23/223**

(58) **Field of Classification Search**
USPC D23/213, 214, 215, 223, 224, 226, 229, 230

CPC A61H 9/0021; A61H 33/00; B05B 1/00; B05B 1/14; B05B 1/185; B05B 1/08; B05B 1/02; B05B 1/26; B05B 12/002; B05B 1/18; B05B 9/01

See application file for complete search history.

(56) **References Cited**

U.S. PATENT DOCUMENTS

- D540,427 S * 4/2007 Bouroullec D23/213
- 7,721,363 B2 * 5/2010 Huang E03C 1/06 4/615
- D655,388 S * 3/2012 Schoenherr D23/223
- D705,900 S * 5/2014 Bailey D23/228
- D719,640 S * 12/2014 Yu D23/228
- 9,273,452 B2 * 3/2016 Wilson E03C 1/0408
- D768,821 S 10/2016 Flowers et al.
- D811,523 S * 2/2018 Andrew D23/223
- D841,128 S * 2/2019 Zhou D23/228

- D884,122 S 5/2020 Seum et al.
 - D902,346 S * 11/2020 Cocks D23/213
 - D933,161 S * 10/2021 Kuppert D23/213
 - D943,709 S * 2/2022 Cocks D23/223
 - D954,900 S * 6/2022 Cocks D23/228
- (Continued)

OTHER PUBLICATIONS

G-Promise All Metal Dual Square Shower Head, May 19, 2022, amazon.ca, Aug. 16, 2022, URL: https://www.amazon.ca/dp/B0B1Q5LWY4/ref=twister_B0B1Q5WQSB?_encoding=UTF8&th=1 (Year: 2022).*

(Continued)

Primary Examiner — Keith J Wilson

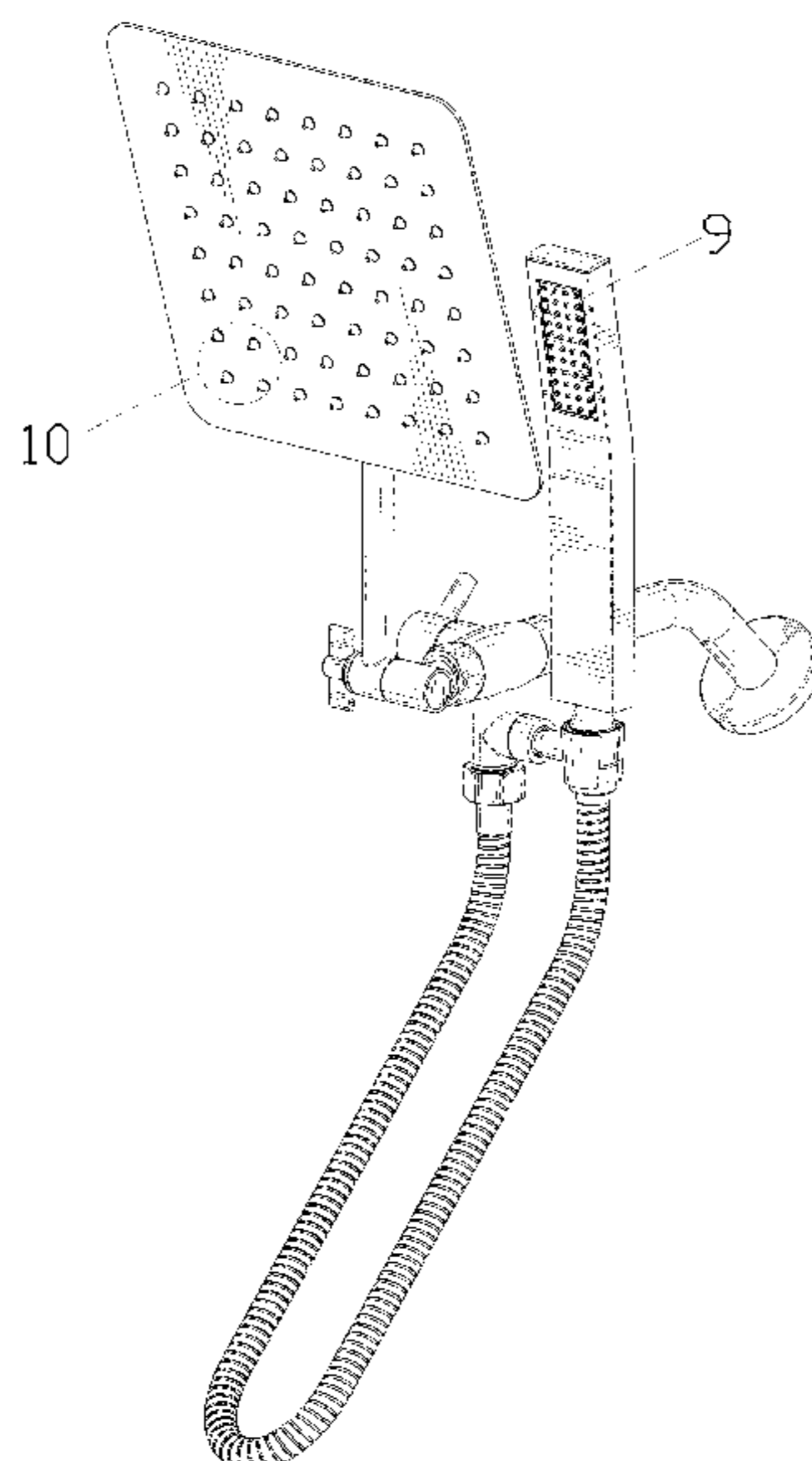
(57) **CLAIM**

The ornamental design for a shower system, as shown and described.

DESCRIPTION

FIG. 1 is a perspective view of a shower system showing my new design;
 FIG. 2 is another perspective view thereof;
 FIG. 3 is a front elevational view thereof;
 FIG. 4 is a rear elevational view thereof;
 FIG. 5 is a left side elevational view thereof;
 FIG. 6 is a right side elevational view thereof;
 FIG. 7 is a top plan view thereof;
 FIG. 8 is a bottom plan view thereof;
 FIG. 9 is an enlarged view of portion 9 shown in FIG. 1;
 FIG. 10 is an enlarged view of portion 10 shown in FIG. 1;
 and,
 FIG. 11 is an enlarged view of portion 11 shown in FIG. 2.
 The dash-dash broken lines in the drawings depict portions of the shower system that form no part of the claimed design. The dot-dash broken lines represent boundaries of the enlarged portions and form no part of the claimed design.

1 Claim, 11 Drawing Sheets



(56)

References Cited

U.S. PATENT DOCUMENTS

D960,320 S * 8/2022 McManus D23/226
2010/0037389 A1 * 2/2010 Gross E03C 1/0408
4/612
2013/0248017 A1 * 9/2013 Neagoe E03C 1/0408
137/359
2018/0298596 A1 * 10/2018 Tsai E03C 1/0408
2019/0211537 A1 * 7/2019 Lee E03C 1/021
2020/0263399 A1 * 8/2020 Sierks B05B 15/652
2021/0079632 A1 * 3/2021 Beattie F16K 11/0445

OTHER PUBLICATIONS

Bathtub Shower System Brushed Gold Shower Fixtures, Sep. 9, 2021, amazon.ca, Aug. 16, 2022, URL: <https://www.amazon.ca/Bathtub-Shower-Brushed-Fixtures-Complete/dp/B09CKPRF68/> (Year: 2021).*

Shower Head, Rain Shower Head with Handheld, Dec. 1, 2021, amazon.ca, Aug. 16, 2022, URL: <https://www.amazon.ca/dp/B09JBDL4Y5/> (Year: 2021).*

* cited by examiner

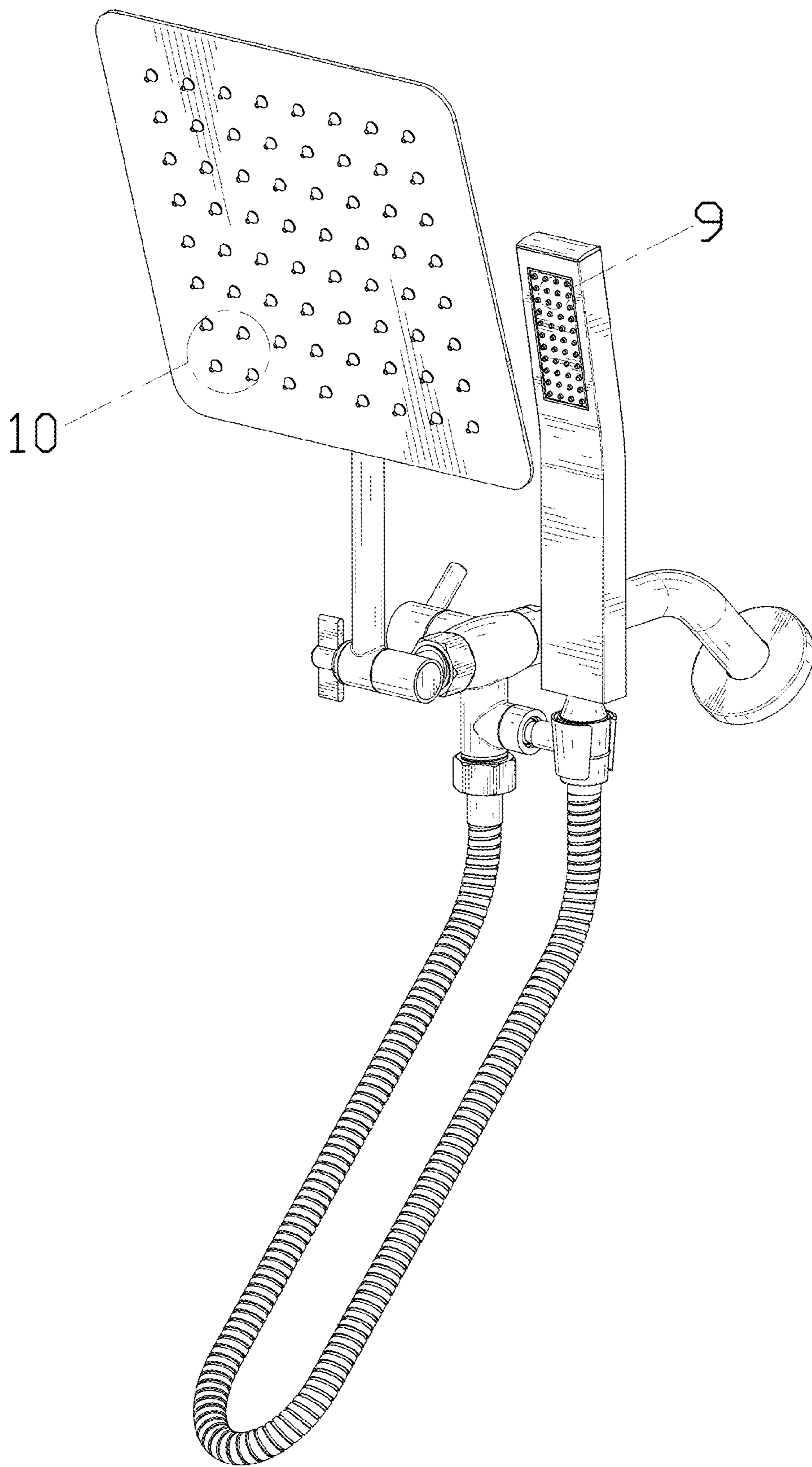


FIG. 1

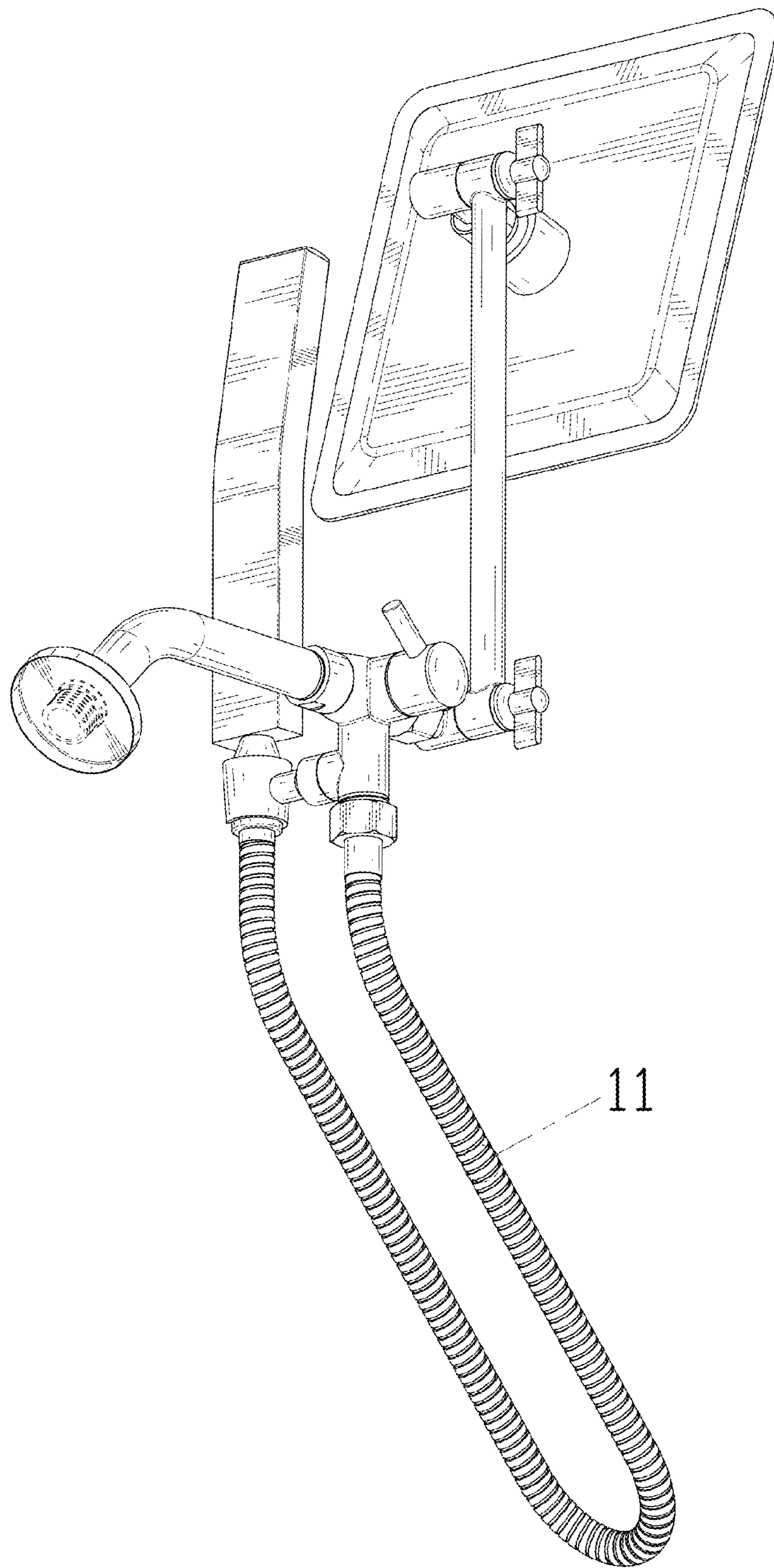


FIG. 2

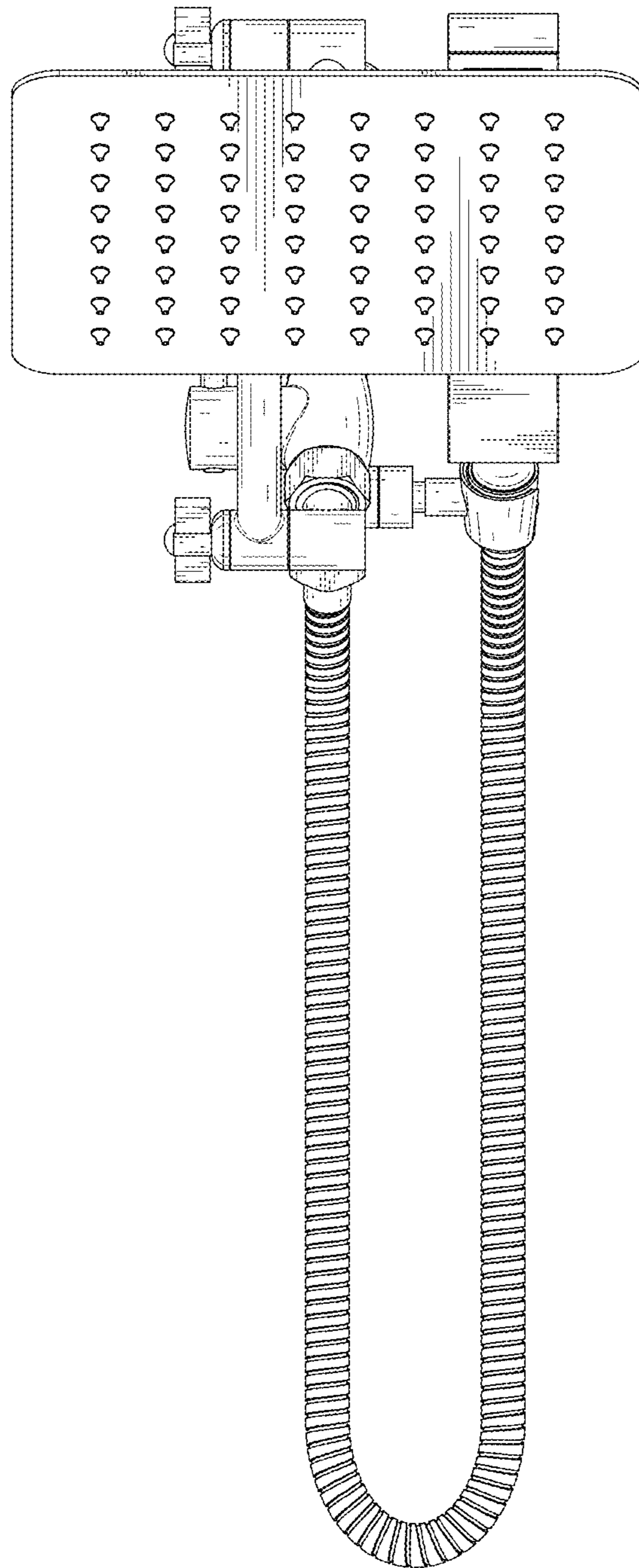


FIG. 3

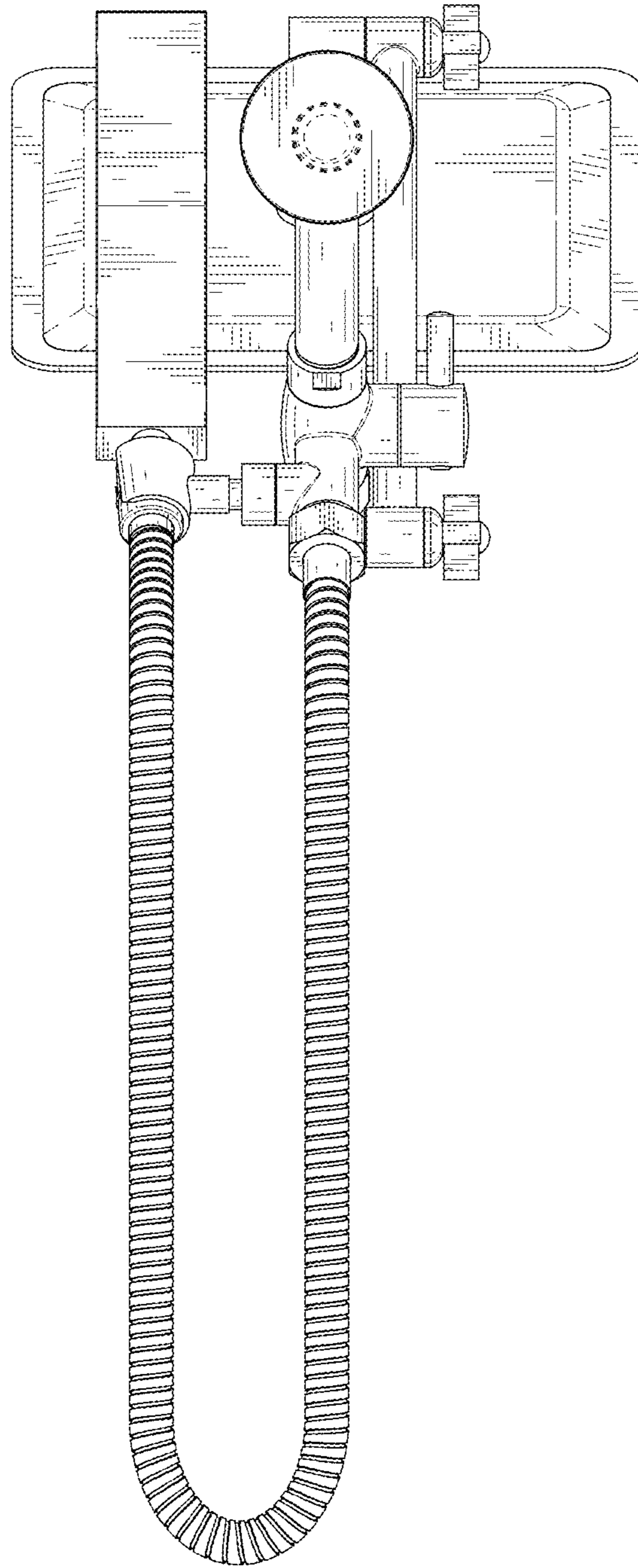


FIG. 4

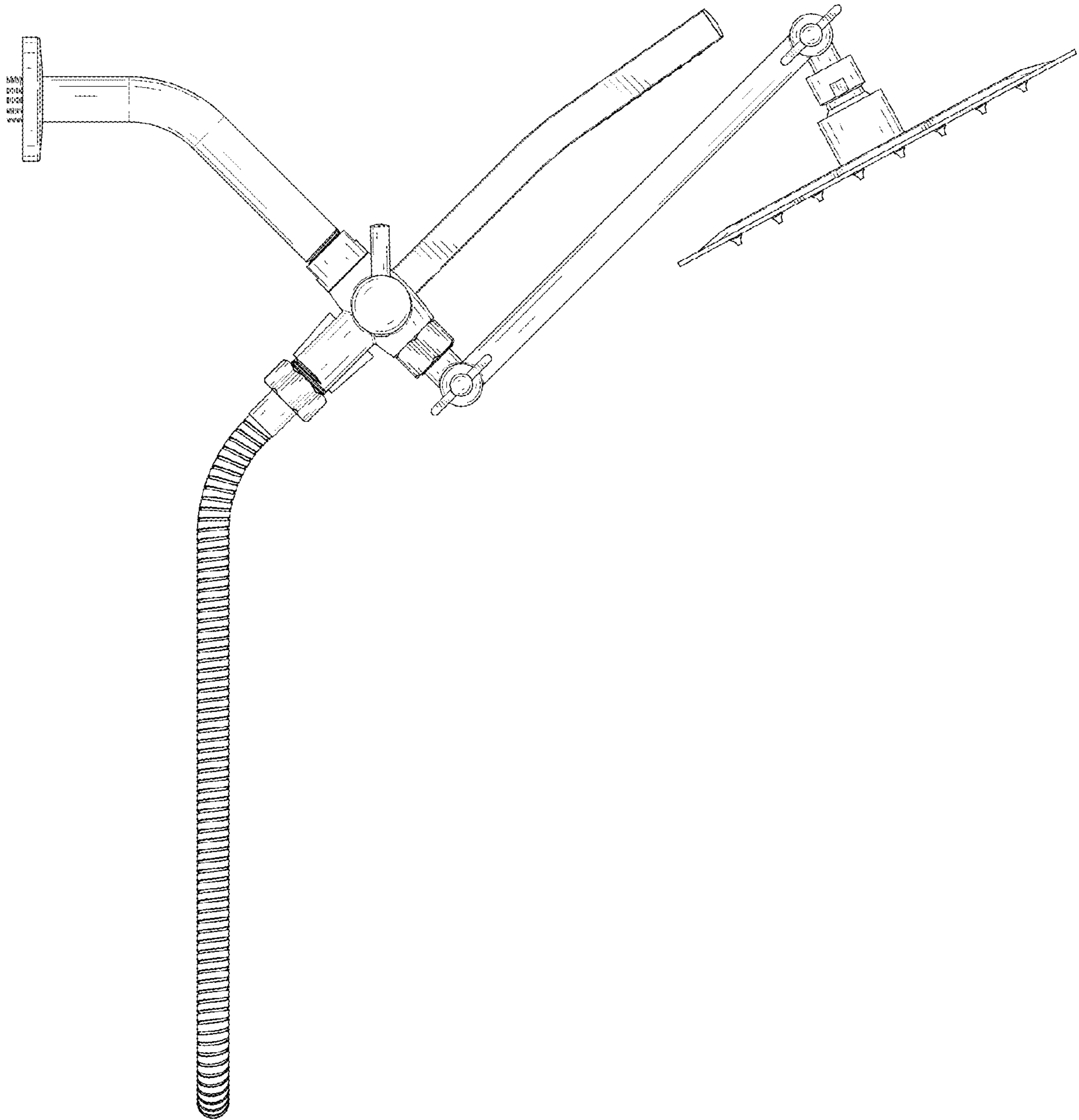


FIG. 5

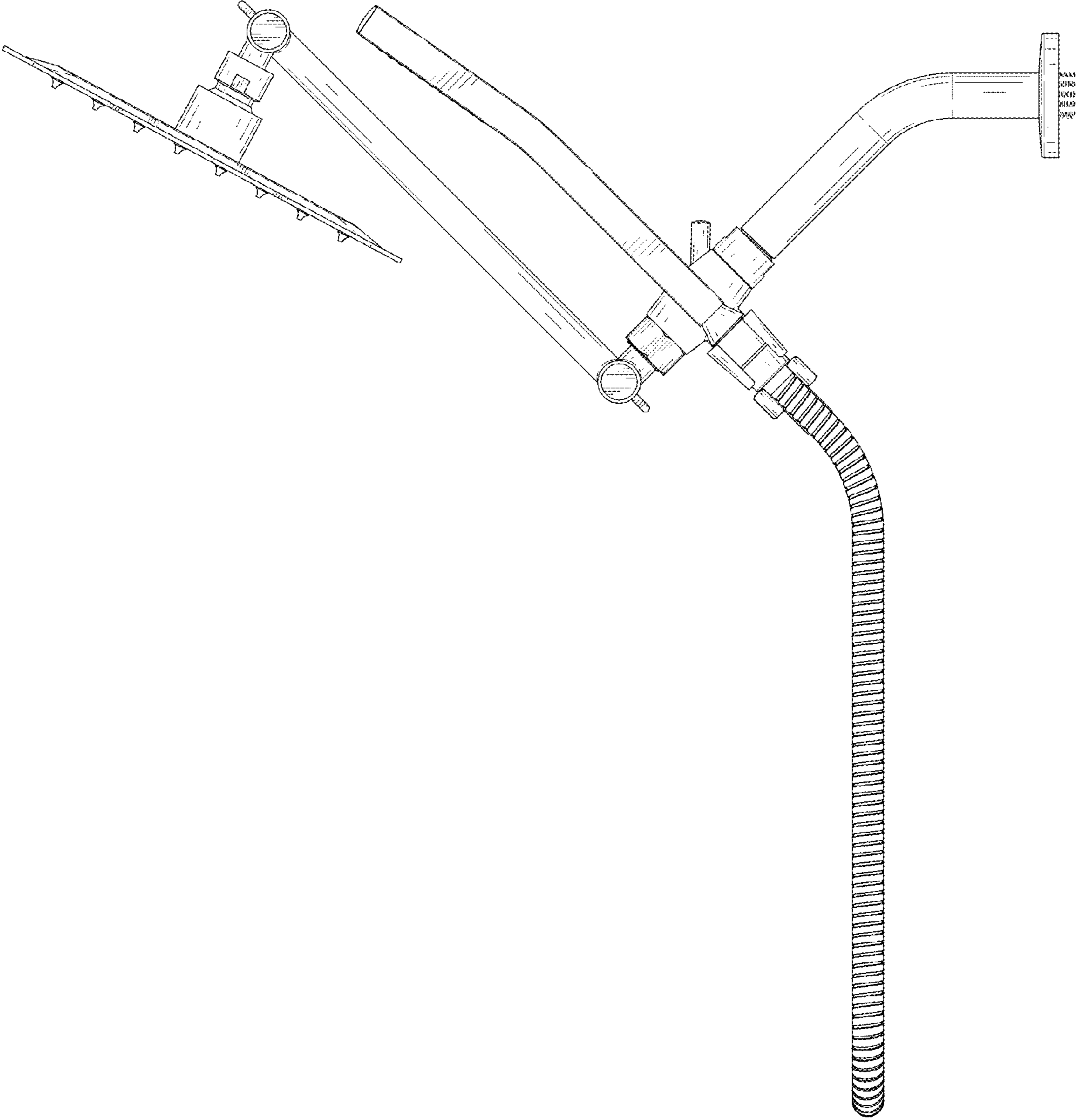


FIG. 6

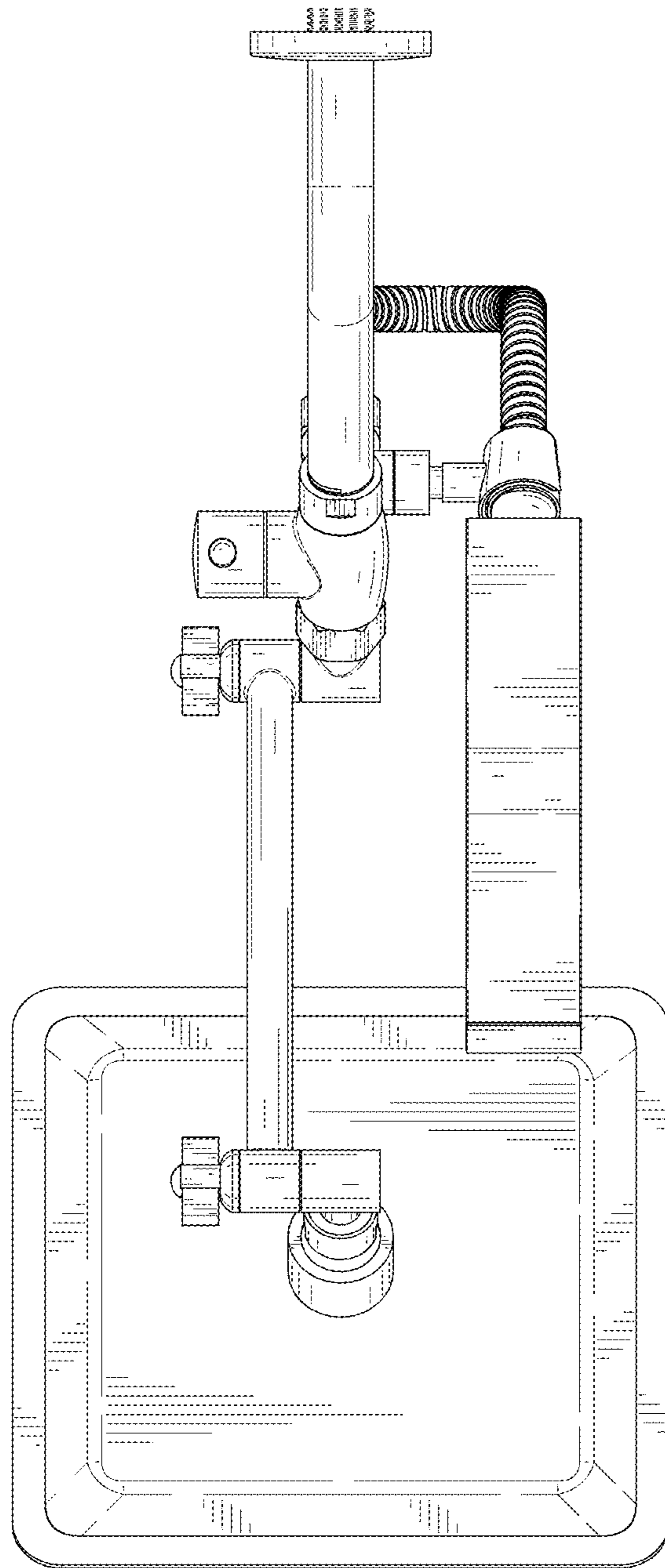


FIG. 7

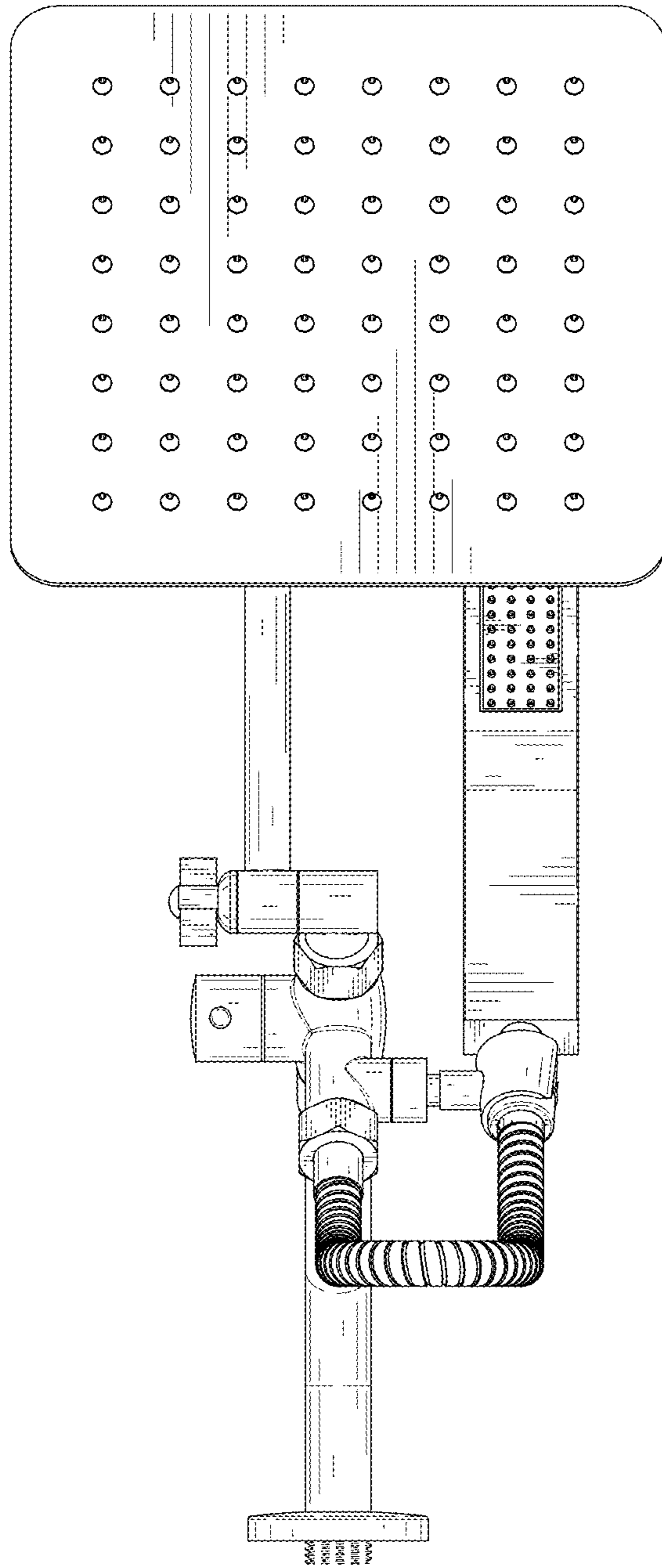


FIG. 8

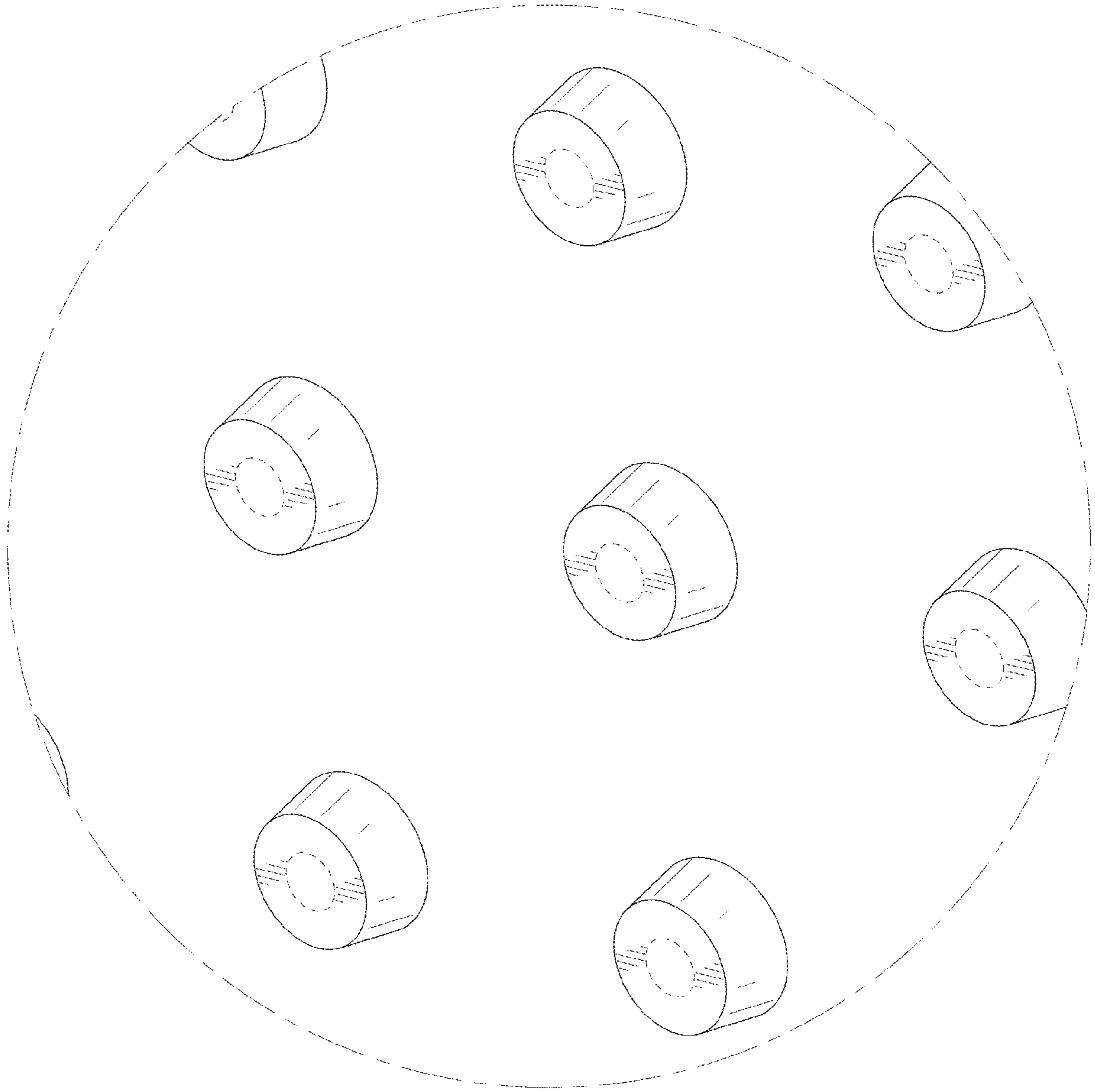


FIG. 9

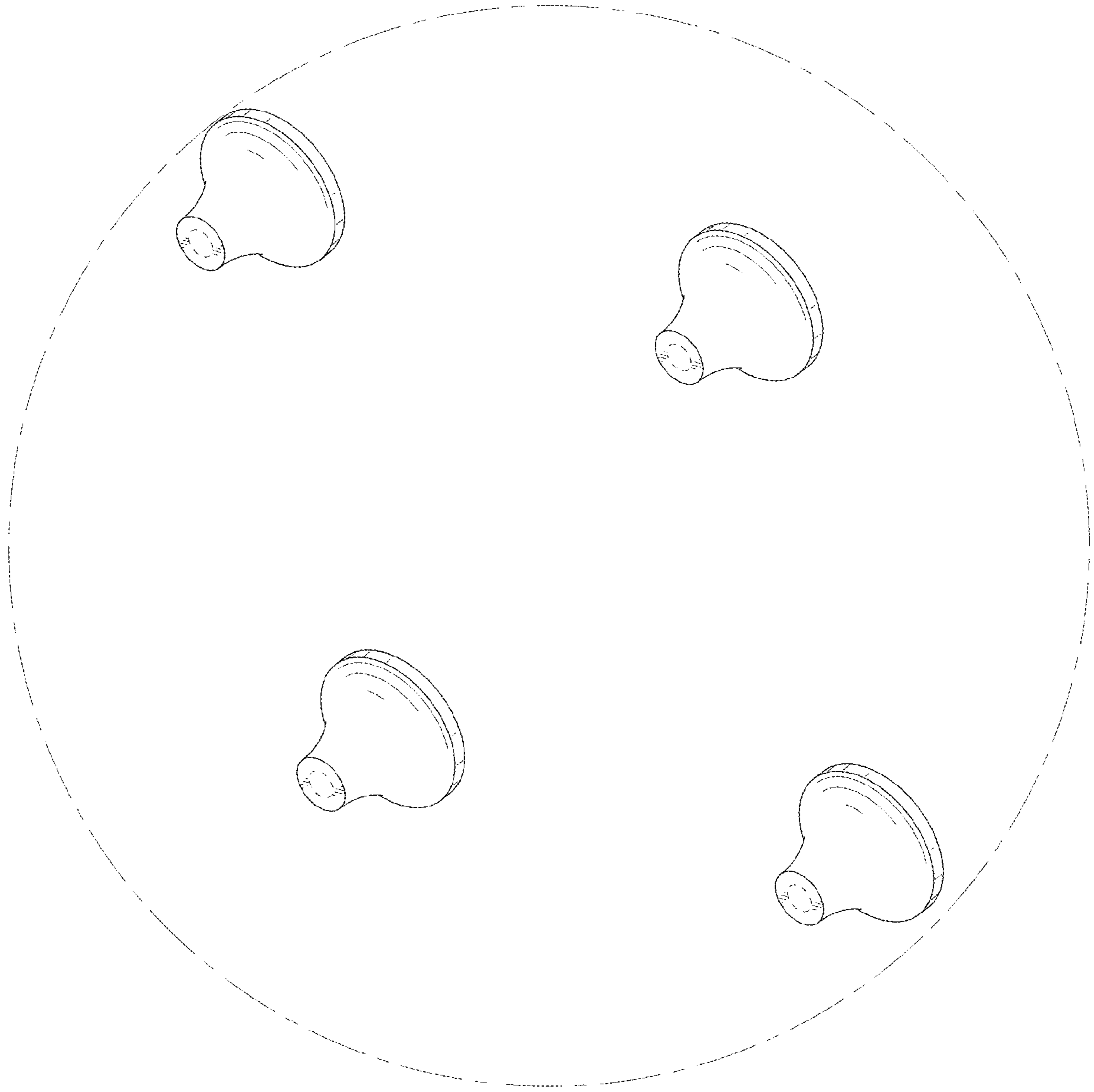


FIG. 10

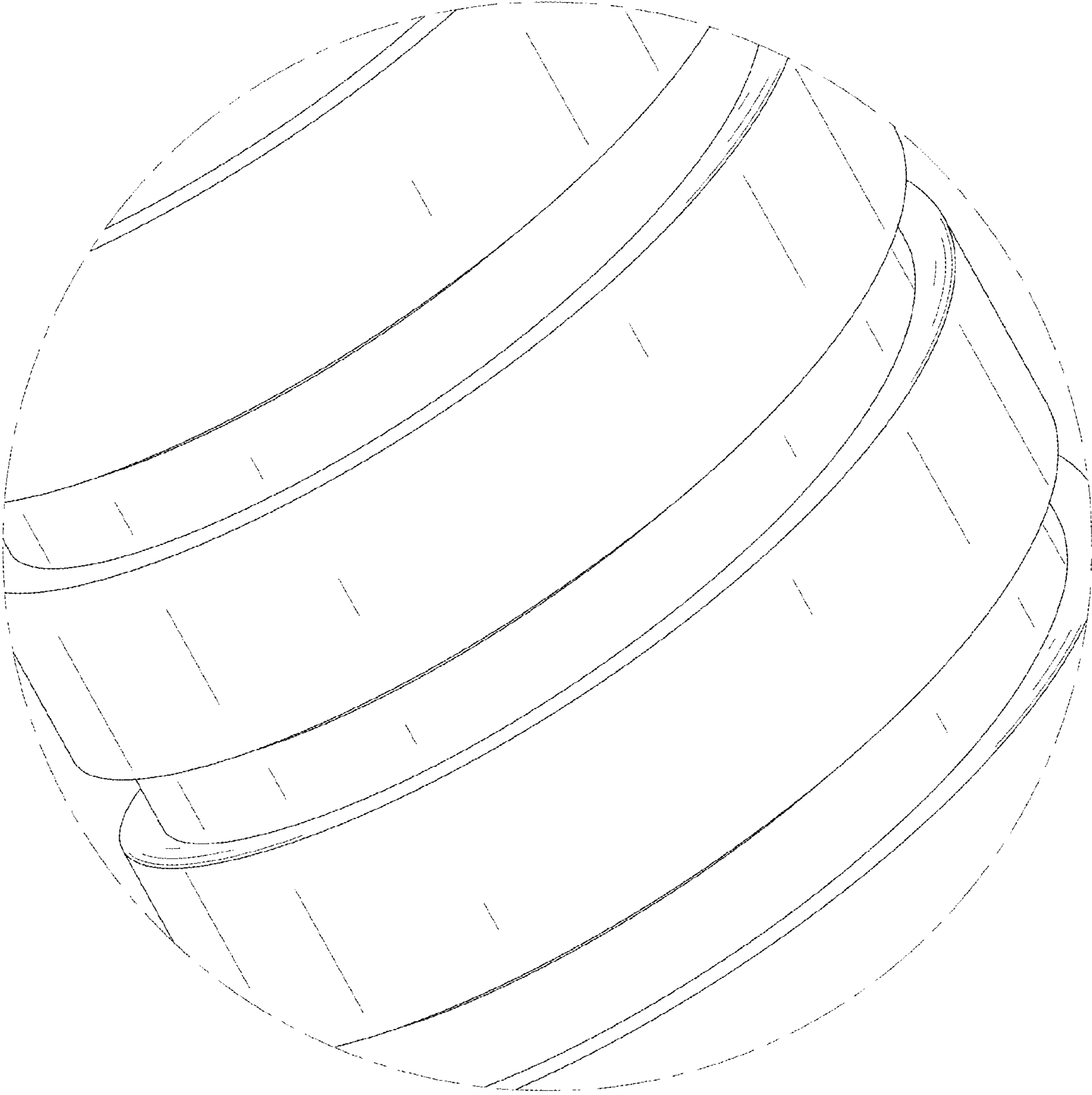


FIG. 11