



US00D965740S

(12) **United States Design Patent** (10) **Patent No.:** **US D965,740 S**
Sambu et al. (45) **Date of Patent:** **** Oct. 4, 2022**

(54) **GAS SUPPLY NOZZLE FOR SUBSTRATE PROCESSING APPARATUS**

D773,609 S * 12/2016 Morita D23/213
D783,351 S * 4/2017 Fujino D7/407
D828,091 S * 9/2018 Fujino D7/407

(Continued)

(71) Applicant: **KOKUSAI ELECTRIC CORPORATION**, Tokyo (JP)

FOREIGN PATENT DOCUMENTS

(72) Inventors: **Makoto Sambu**, Toyama (JP); **Satoshi Fujii**, Toyama (JP)

KR 30-0751382 7/2014

(73) Assignee: **KOKUSAI ELECTRIC CORPORATION**, Tokyo (JP)

OTHER PUBLICATIONS

(**) Term: **15 Years**

Hisencn Universal Grill Burner Tube, Jul. 18, 2020, amazon.ca, Jun. 27, 2022, URL: <https://www.amazon.ca/dp/B08D7F7J4H/> (Year: 2020).*

(Continued)

(21) Appl. No.: **29/767,725**

(22) Filed: **Jan. 25, 2021**

Primary Examiner — Keith J Wilson

(30) **Foreign Application Priority Data**

(74) *Attorney, Agent, or Firm* — Fitch, Even, Tabin & Flannery, LLP

Jul. 27, 2020 (JP) 2020-015472 D

(51) **LOC (13) Cl.** **23-01**

(52) **U.S. Cl.**
USPC **D23/213**

(58) **Field of Classification Search**
USPC D23/213, 214, 215, 223, 224, 226, 229, D23/230; D7/407

CPC A61H 9/0021; A61H 33/00; B05B 1/00; B05B 1/14; B05B 1/185; B05B 1/08; B05B 1/02; B05B 1/26; B05B 12/002; B05B 1/18; B05B 9/01

See application file for complete search history.

(56) **References Cited**

U.S. PATENT DOCUMENTS

D258,309 S * 2/1981 Leighton D23/415
D322,470 S * 12/1991 Garlich D23/200
D613,116 S * 4/2010 Roberts D7/407
D643,091 S * 8/2011 Yasuoka D23/213
D645,118 S * 9/2011 Shepherd D23/213
D695,883 S * 12/2013 Vest D23/415
D771,772 S * 11/2016 Morita D23/213

(57) **CLAIM**

The ornamental design for a gas supply nozzle for substrate processing apparatus, as shown and described.

DESCRIPTION

FIG. 1 is a front, top and right side perspective view of a gas supply nozzle for substrate processing apparatus showing our new design;

FIG. 2 is an enlarged portion view taken along line 2-2 in FIG. 1

FIG. 3 is a front elevational view thereof;

FIG. 4 is a rear elevational view thereof;

FIG. 5 is a left side elevational view thereof;

FIG. 6 is a right side elevational view thereof;

FIG. 7 is a top plan view thereof;

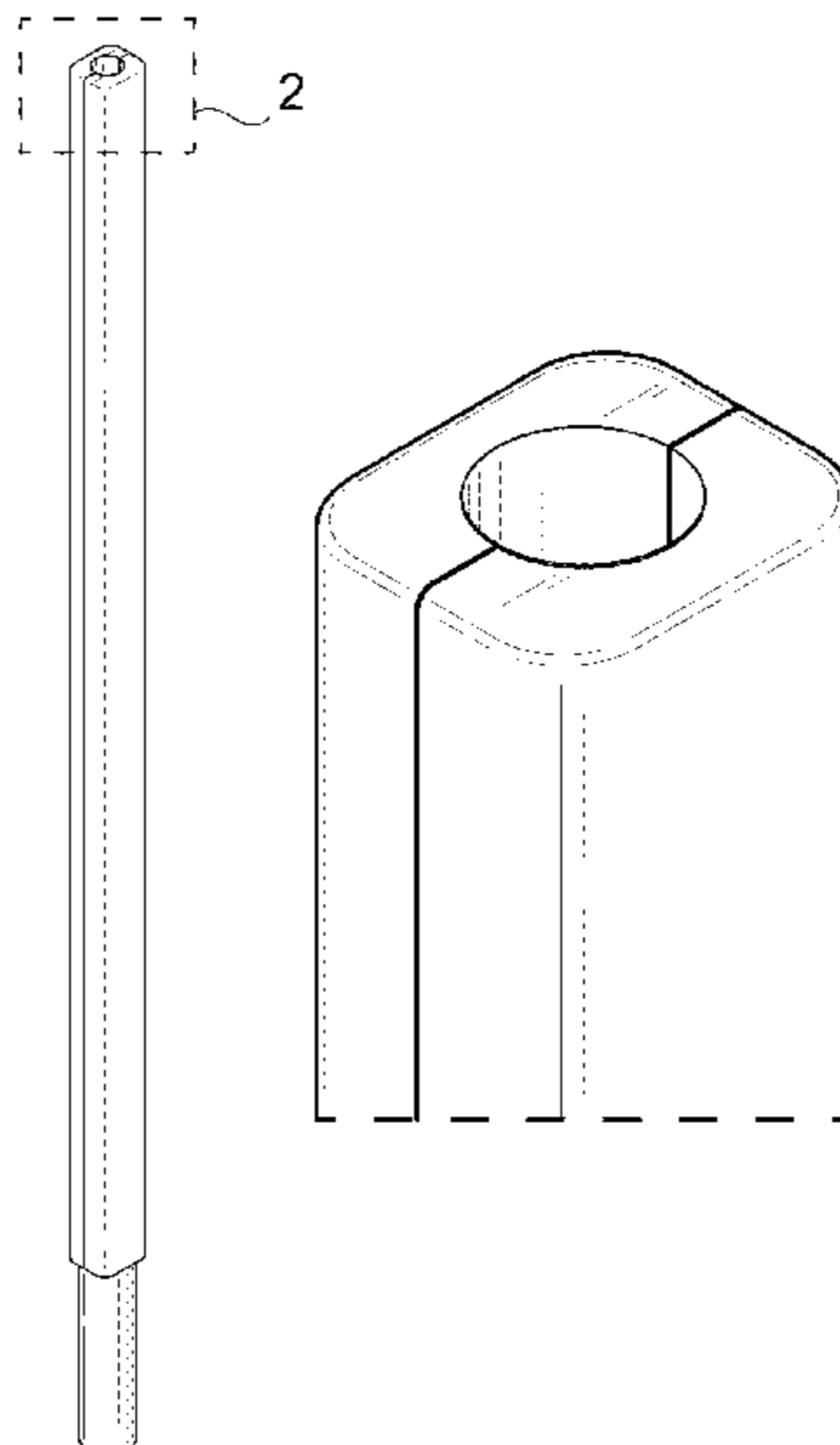
FIG. 8 is a bottom plan view thereof;

FIG. 9 is an enlarged top plan view thereof;

FIG. 10 is an enlarged bottom plan view thereof; and,

FIG. 11 is a cross-sectional view taken along line 11-11 in FIG. 6.

1 Claim, 3 Drawing Sheets



(56)

References Cited

U.S. PATENT DOCUMENTS

D847,301 S * 4/2019 Yoshida D23/213
D851,763 S * 6/2019 Mathews D24/145
D886,947 S * 6/2020 Mo D23/223
D888,196 S * 6/2020 Okajima D23/213
D889,596 S * 7/2020 Okajima D23/213
D890,572 S * 7/2020 Saiki D7/407
2009/0205631 A1 * 8/2009 Tsung F23D 14/045
126/39 E
2010/0154775 A1 * 6/2010 Robinson F23D 14/10
126/39 E

OTHER PUBLICATIONS

MENSI Propane LP Natural Gas Brass Jet Nozzle Sparyer, Nov. 11, 2019, amazon.ca, Jun. 27, 2019, URL: <https://www.amazon.ca/MENSI-Propane-Natural-Nozzle-Sparyer/dp/B08111XPB7/> (Year: 2019).*

* cited by examiner

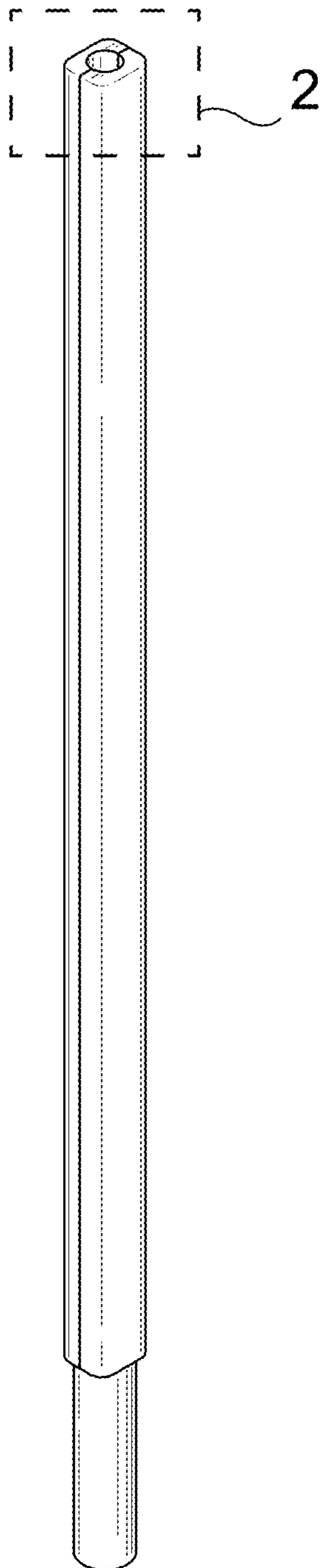


FIG. 1

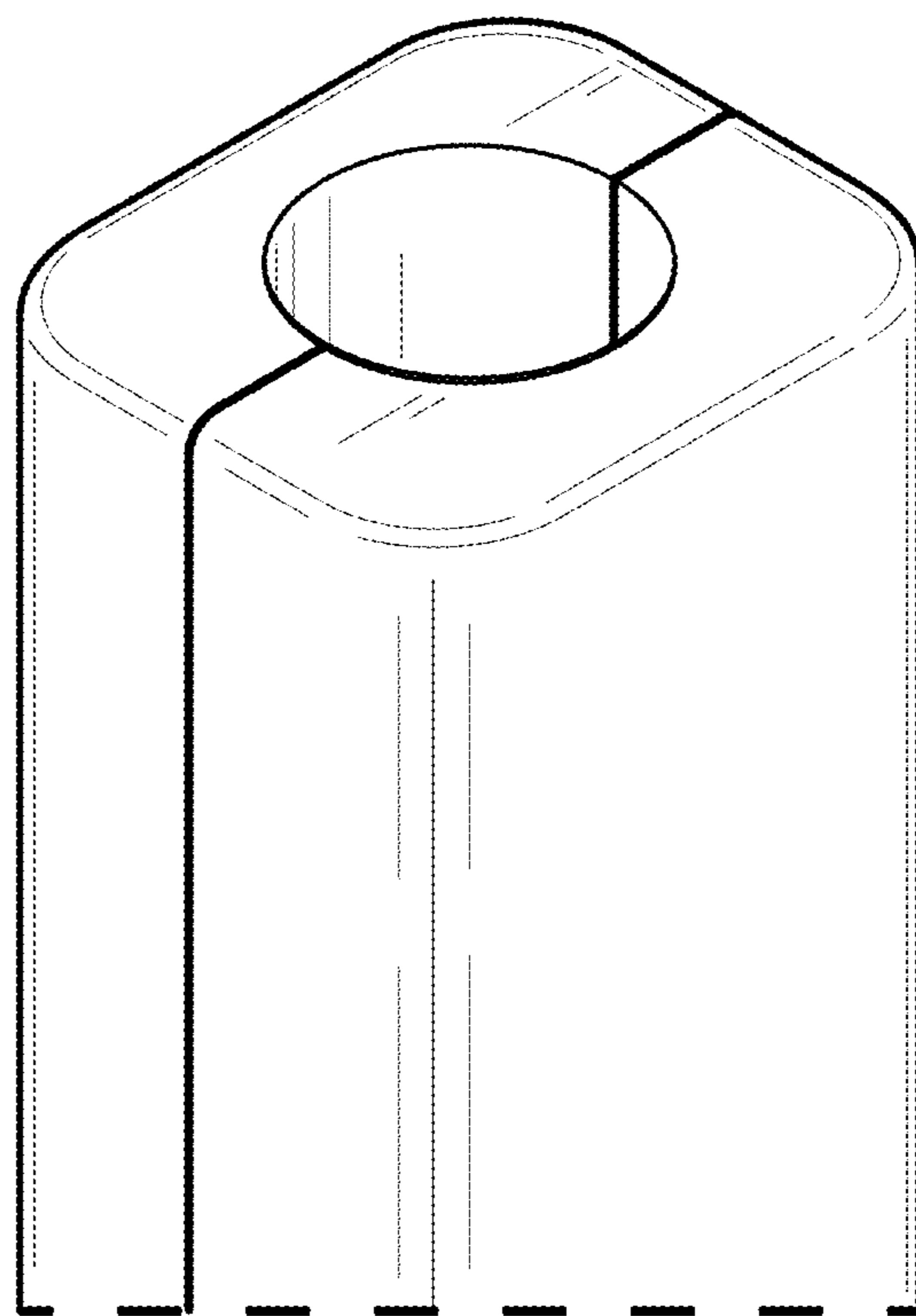


FIG. 2

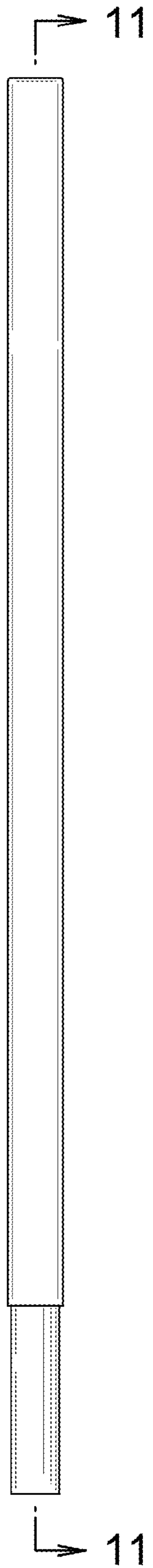
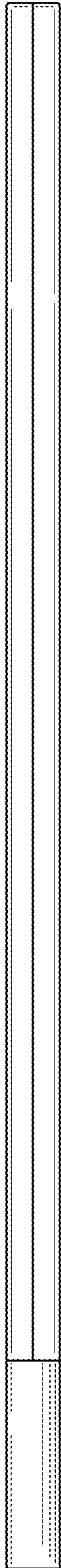


FIG. 3

FIG. 4

FIG. 5

FIG. 6

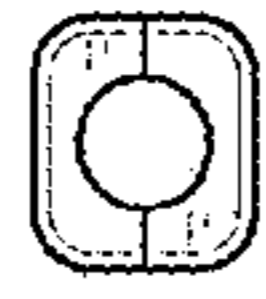


FIG. 7



FIG. 8

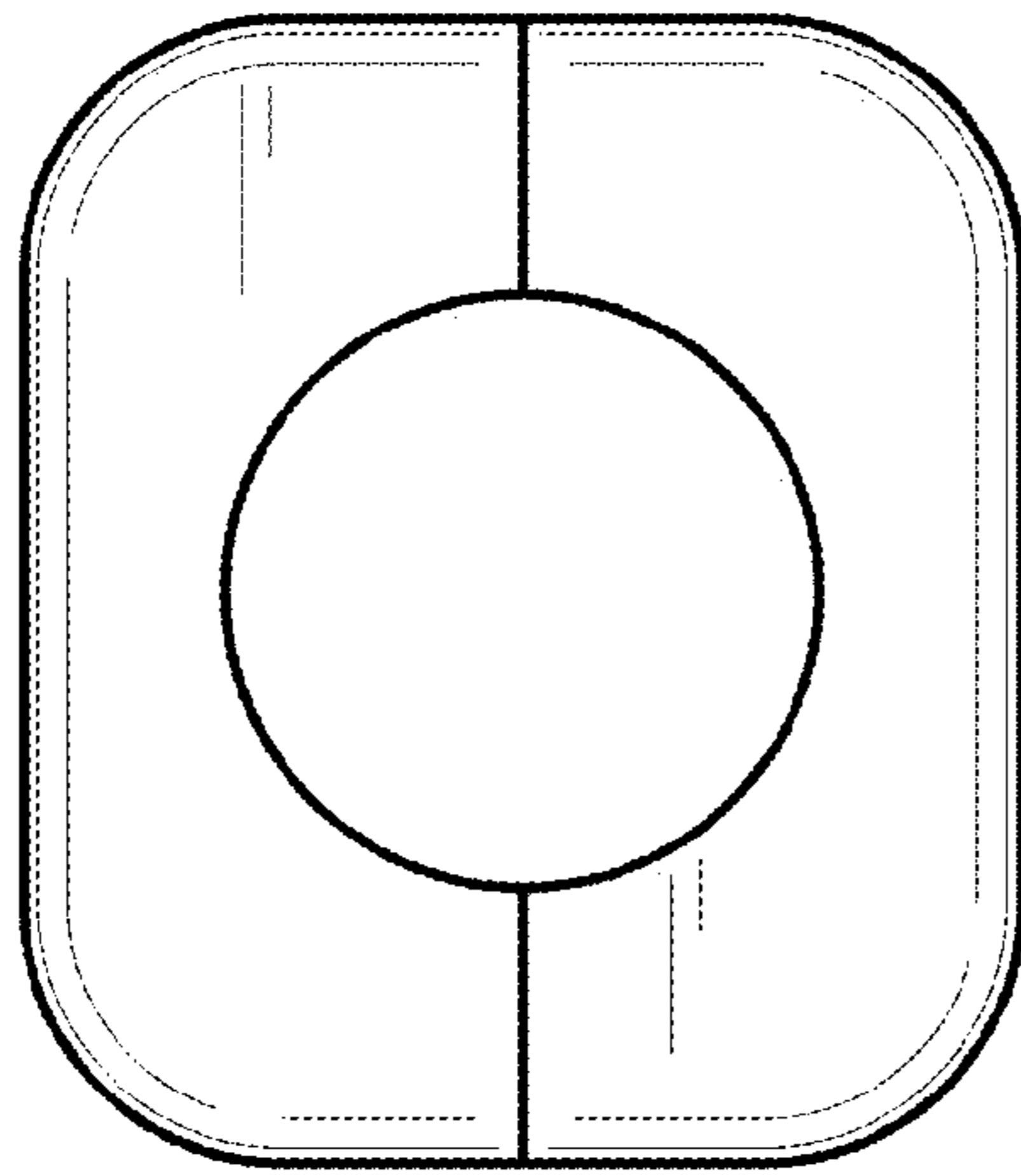


FIG. 9

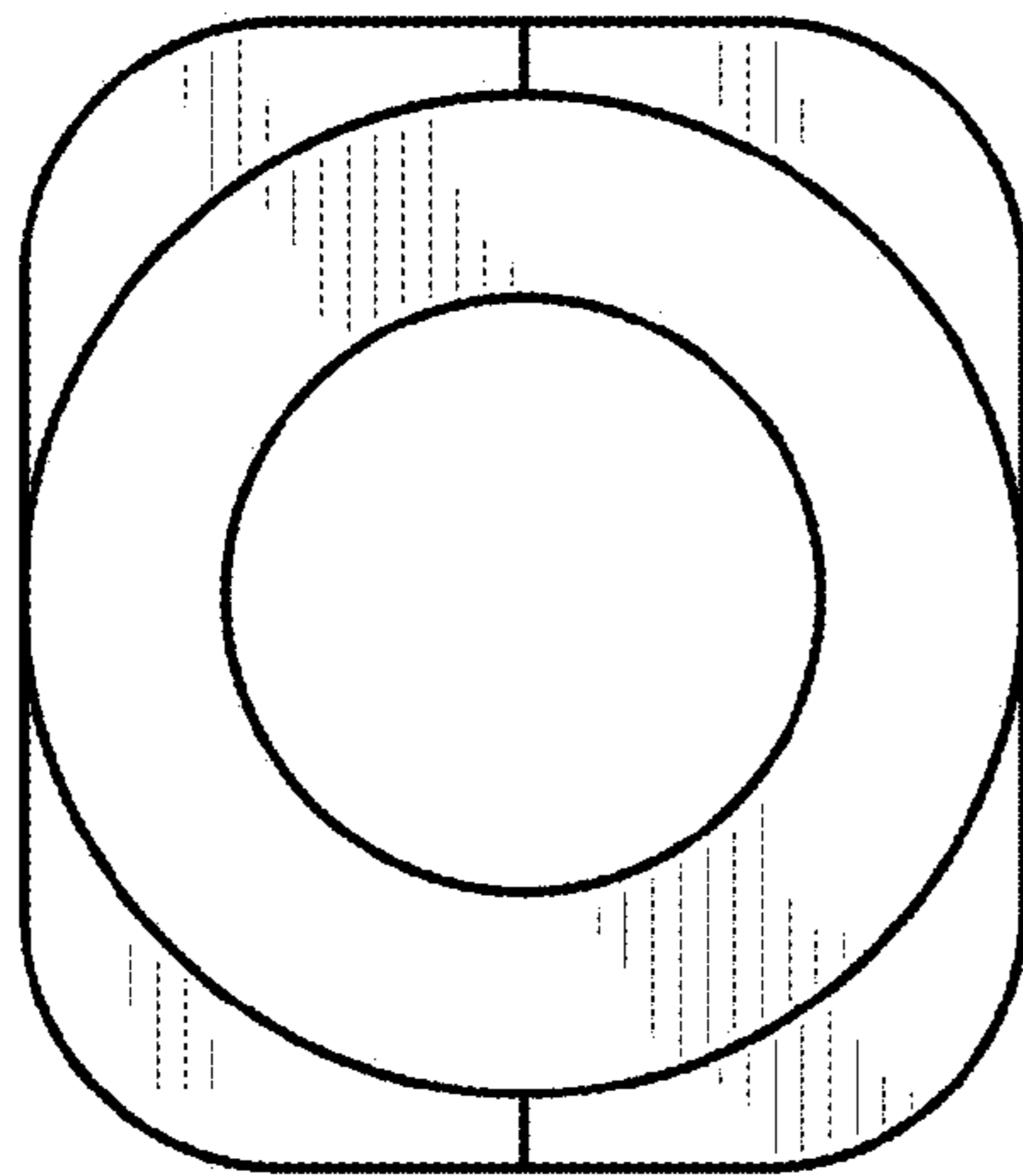


FIG. 10

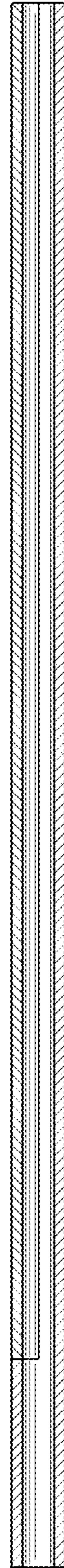


FIG. 11