



US00D965739S

(12) **United States Design Patent** (10) **Patent No.:** **US D965,739 S**  
**Poindexter et al.** (45) **Date of Patent:** **\*\* Oct. 4, 2022**

(54) **FILTER** 6,565,743 B1 \* 5/2003 Poirier ..... B65D 51/00  
116/284  
(71) Applicant: **Helen of Troy Limited**, St. Michael D518,555 S 4/2006 De Muro, Jr.  
(BB) D529,126 S 9/2006 Miller  
D565,350 S \* 4/2008 Gauger ..... D7/400  
(72) Inventors: **Michael Poindexter**, New York, NY D594,927 S \* 6/2009 Amtmann ..... D23/209  
(US); **Mathieu Zastawny**, Jersey City, D637,690 S 5/2011 Riedel  
NJ (US) D638,097 S 5/2011 Busick  
D656,577 S \* 3/2012 Salvador ..... D23/209  
8,308,942 B2 11/2012 Swain  
(73) Assignee: **Helen of Troy Limited**, St. Michael D679,812 S \* 4/2013 Taylor ..... D24/162  
(BB) D684,009 S \* 6/2013 Bell ..... D7/397  
D717,395 S \* 11/2014 Neto ..... D23/209  
(Continued)

(\*\*) Term: **15 Years**

(21) Appl. No.: **29/776,186**

(22) Filed: **Mar. 29, 2021**

(51) **LOC (13) Cl.** ..... **23-01**

(52) **U.S. Cl.**  
USPC ..... **D23/209**

(58) **Field of Classification Search**  
USPC ..... D23/207, 209, 210, 325, 355, 363, 365;  
D24/162  
CPC ..... B01D 27/00; B01D 27/08; B01D 35/303;  
B01D 2201/306; B01D 2201/309; B01D  
2221/02; B01D 29/00; C02F 1/002; C02F  
1/003; C02F 9/005; C02F 2307/02; C02F  
2307/04; C02F 2307/10

See application file for complete search history.

(56) **References Cited**

**U.S. PATENT DOCUMENTS**

4,642,183 A 2/1987 Hebert  
D401,684 S \* 11/1998 Shelton ..... D23/365  
D403,414 S \* 12/1998 Shelton ..... D23/365  
D412,551 S 8/1999 Smith  
D420,094 S \* 2/2000 Woodard, Jr. .... D23/209  
D440,294 S \* 4/2001 Bilek ..... D23/365  
6,238,552 B1 5/2001 Shannon  
6,354,344 B1 \* 3/2002 Pluta ..... B67D 3/0029  
141/192

**OTHER PUBLICATIONS**

Brita Standard Water Filter, Jun. 18, 2004, Amazon, site visited May 18, 2022: <https://www.amazon.com/dp/B00008IHL8/> (Year: 2004).\*

(Continued)

*Primary Examiner* — Jack Reickel

*Assistant Examiner* — Bobby W Jones, II

(74) *Attorney, Agent, or Firm* — Rankin, Hill & Clark  
LLP

(57) **CLAIM**

The ornamental design for a filter, as shown and described.

**DESCRIPTION**

FIG. 1 is a perspective view of a filter showing our new design;

FIG. 2 is a front elevation view of FIG. 1;

FIG. 3 is a rear elevation view of FIG. 1;

FIG. 4 is a left side elevation view of FIG. 1;

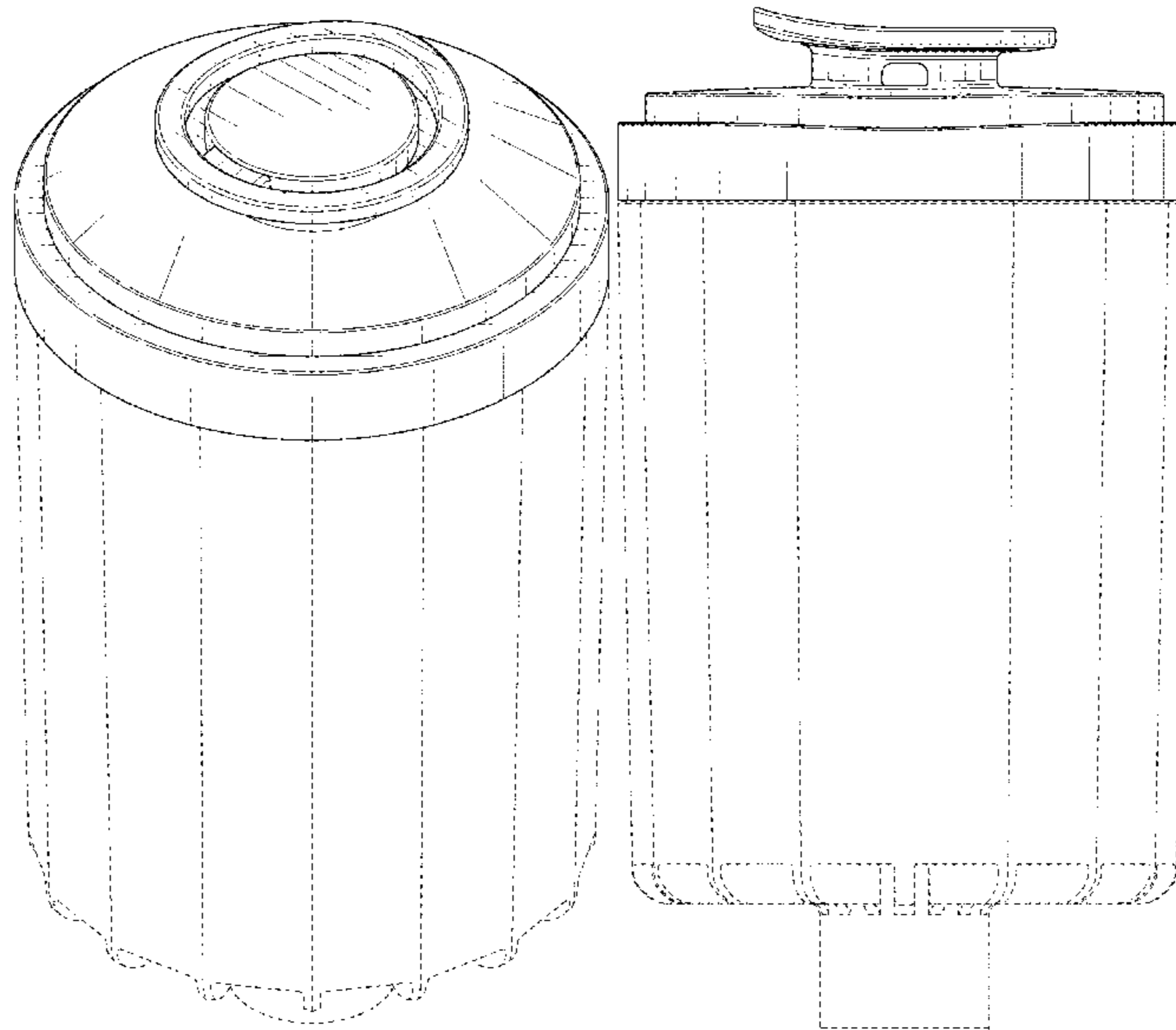
FIG. 5 is a right side elevation view of FIG. 1;

FIG. 6 is a top plan view of FIG. 1; and,

FIG. 7 is a bottom plan view of FIG. 1.

The broken lines in the drawings depict portions of the filter that form no part of the claimed design.

**1 Claim, 6 Drawing Sheets**



(56)

**References Cited**

U.S. PATENT DOCUMENTS

D730,731	S	6/2015	Bewley, Jr	
D751,170	S *	3/2016	Ruprecht .....	D23/209
D793,525	S *	8/2017	Morris .....	D23/209
9,938,160	B2	4/2018	Ben-David	
D827,086	S *	8/2018	Bell .....	D23/209
D831,789	S *	10/2018	Dani .....	B01D 27/08 D23/209
D835,233	S	12/2018	Coelho	
10,266,421	B1	4/2019	Mayo	
2003/0209484	A1 *	11/2003	Klotz .....	B01D 35/31 210/450
2010/0126928	A1 *	5/2010	South .....	F02M 37/32 210/440
2012/0061312	A1	3/2012	Busick	
2013/0319915	A1 *	12/2013	Gellibolian .....	C02F 1/002 210/87
2015/0352468	A1 *	12/2015	Lin .....	B01D 25/26 210/335
2016/0031719	A1 *	2/2016	Yang .....	C02F 1/002 210/416.3
2016/0332103	A1 *	11/2016	Marks .....	B01D 46/0005
2018/0140981	A1 *	5/2018	Kinjo .....	B01D 35/306
2018/0207560	A1 *	7/2018	Shotey .....	B01D 35/05
2020/0229579	A1 *	7/2020	Rajan .....	B65D 35/10
2020/0376422	A1 *	12/2020	Kamimoto .....	B01D 27/00

OTHER PUBLICATIONS

WAMERY Water Filter, Jul. 7, 2016, Amazon, site visited May 18, 2022: <https://www.amazon.com/dp/B0117C5494/> (Year: 2016).\*

\* cited by examiner

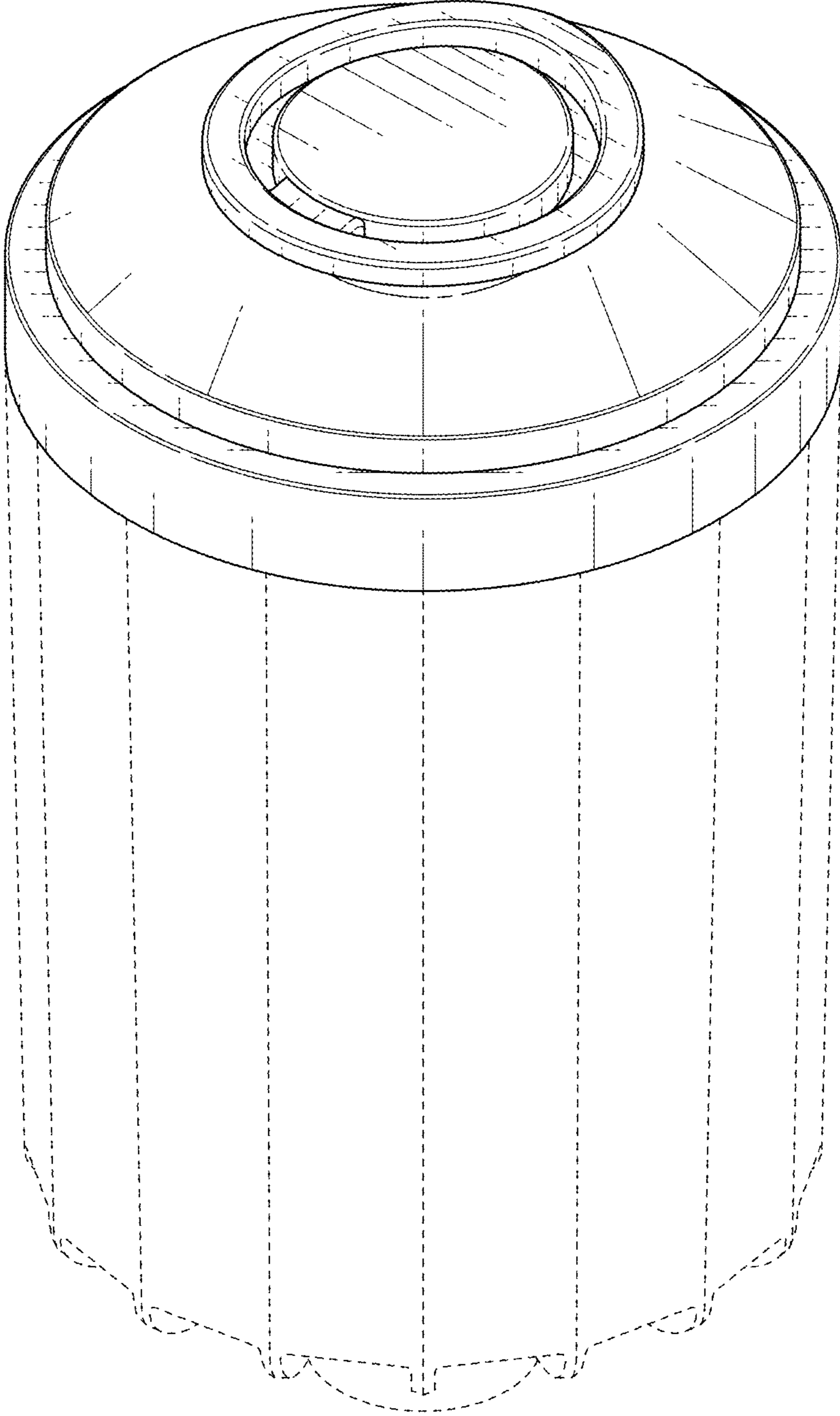


FIG. 1

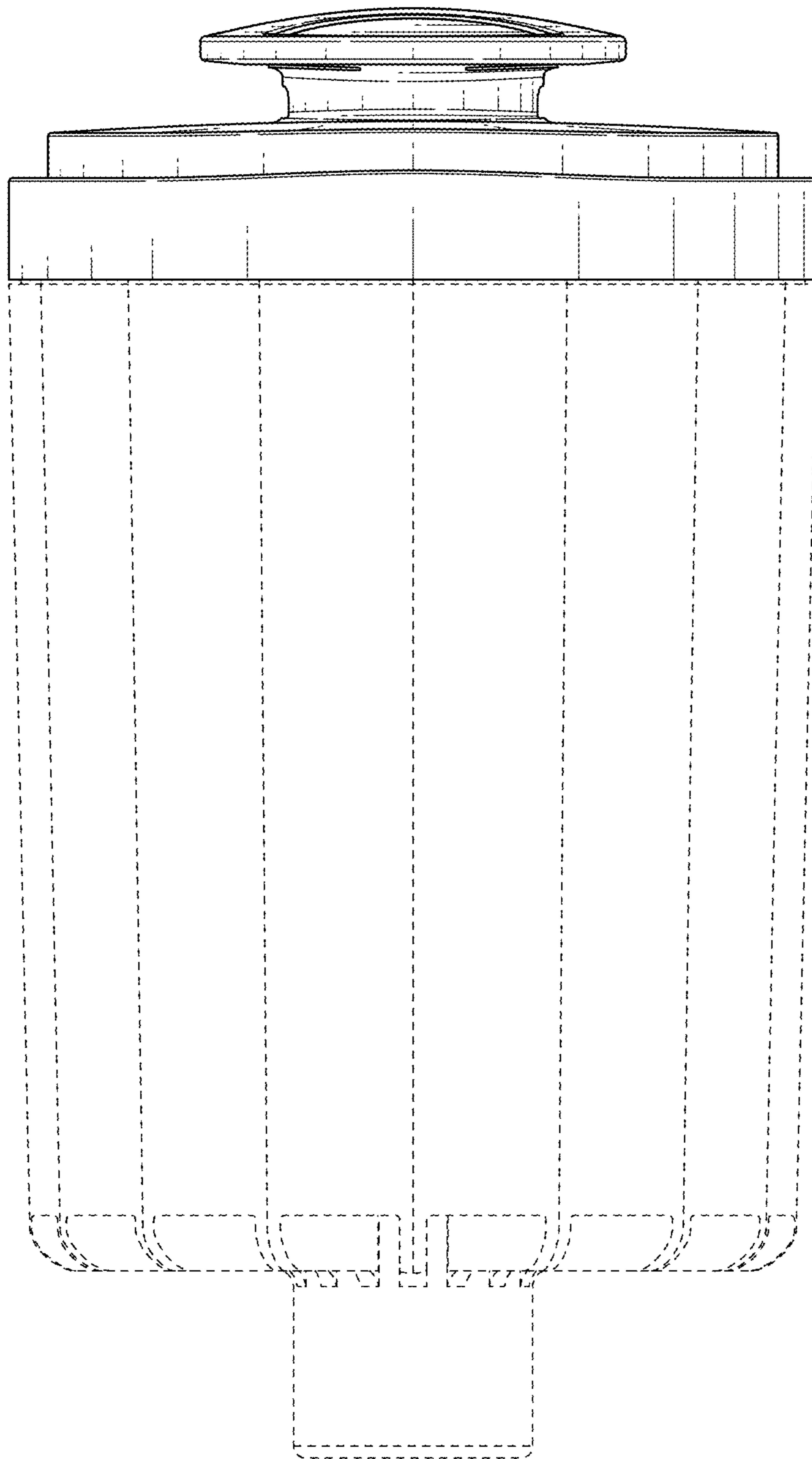


FIG. 2

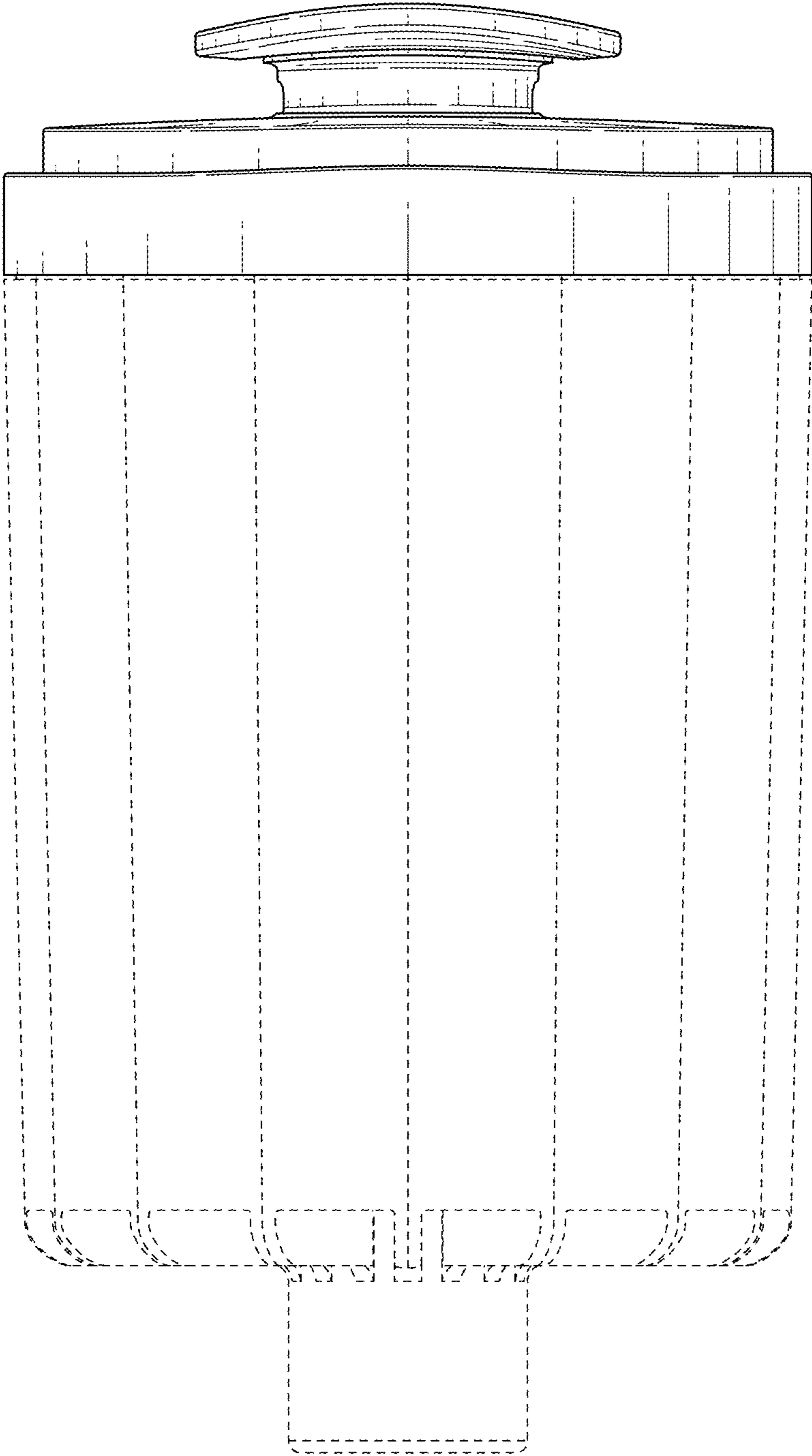


FIG. 3



FIG. 4

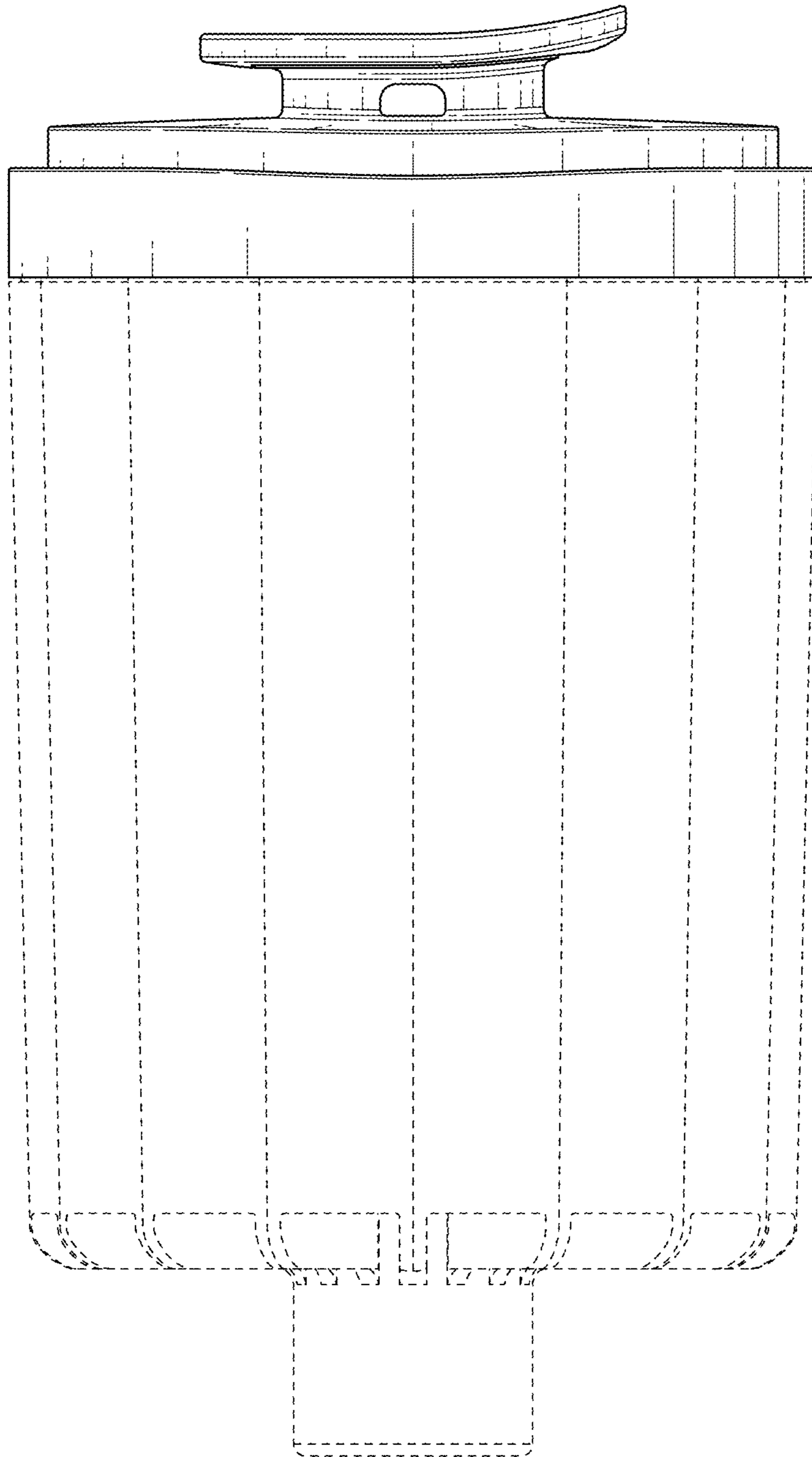


FIG. 5

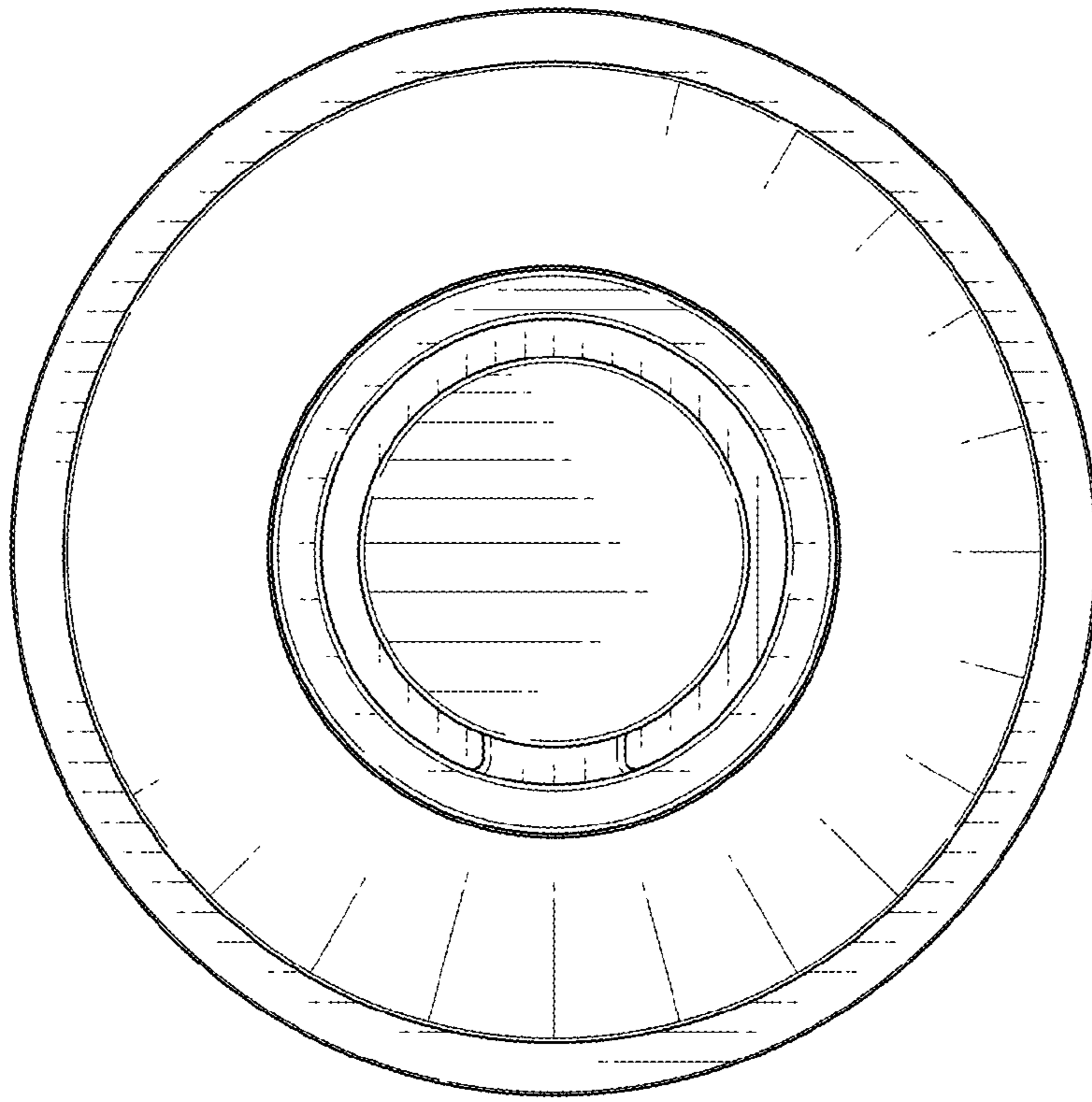


FIG. 6

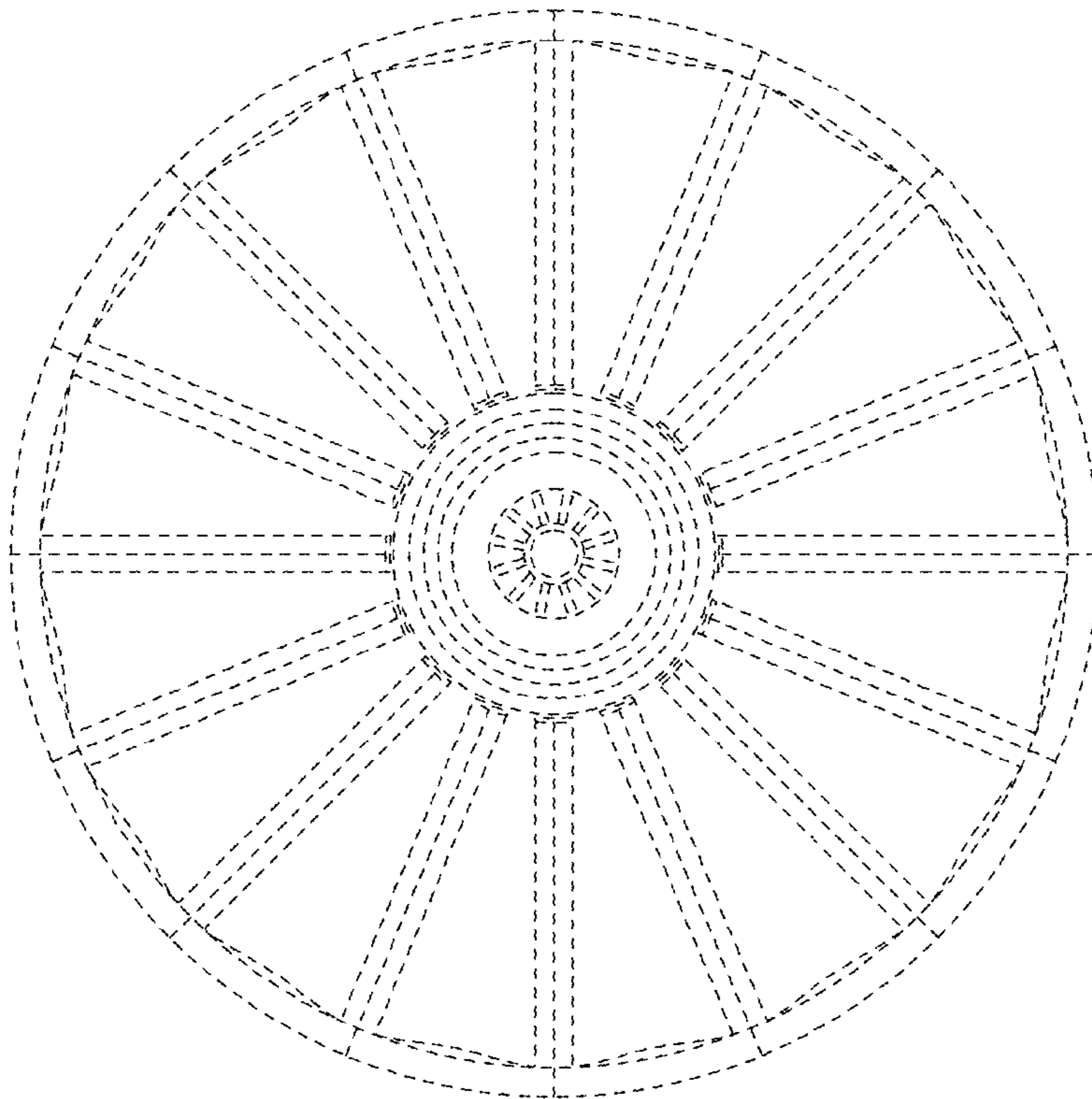


FIG. 7