



US00D965738S

(12) **United States Design Patent** (10) **Patent No.:** **US D965,738 S**
Xie (45) **Date of Patent:** **** Oct. 4, 2022**

(54) **HAND WASHING DEVICE**

(71) Applicant: **Yuyao Mingshuo Intelligent Technology Co., Ltd., Yuyao (CN)**

(72) Inventor: **Ting Xie, Yuyao (CN)**

(**) Term: **15 Years**

(21) Appl. No.: **29/761,929**

(22) Filed: **Dec. 14, 2020**

(30) **Foreign Application Priority Data**

Aug. 14, 2020 (CN) 202030465579.5

(51) **LOC (13) Cl.** **23-01**

(52) **U.S. Cl.**
USPC **D23/208**

(58) **Field of Classification Search**
USPC D23/202, 208, 210, 213, 221, 272-274,
D23/284, 301, 308, 316; D30/121-133
CPC A61H 35/02; A61H 35/00; A61H 35/008;
E03C 1/057; E03C 1/023; E03C 1/04;
E03C 1/08
See application file for complete search history.

(56) **References Cited**

U.S. PATENT DOCUMENTS

D529,147 S * 9/2006 Sutopo D23/284
D548,980 S 8/2007 Maddux
D631,940 S * 2/2011 Bertucci D23/208
D700,408 S * 2/2014 Dixon D30/133
D704,389 S * 5/2014 Fang D30/132
D724,708 S * 3/2015 Hsiao D23/284
D737,417 S 8/2015 Tronza et al.

D740,441 S * 10/2015 Donovan D24/232
D745,647 S * 12/2015 Schonherr D23/284
D758,675 S * 6/2016 Breit D30/130
D835,761 S 12/2018 Latham
D840,523 S * 2/2019 Boeltl D23/308
D878,526 S * 3/2020 Kobayashi D23/284
D912,911 S * 3/2021 Wang D30/132
D916,392 S * 4/2021 Sciortino D30/133
2004/0083546 A1 * 5/2004 Tahara A47K 1/04
4/619

* cited by examiner

Primary Examiner — Karen S Acker
Assistant Examiner — Jonathan E Fiencke

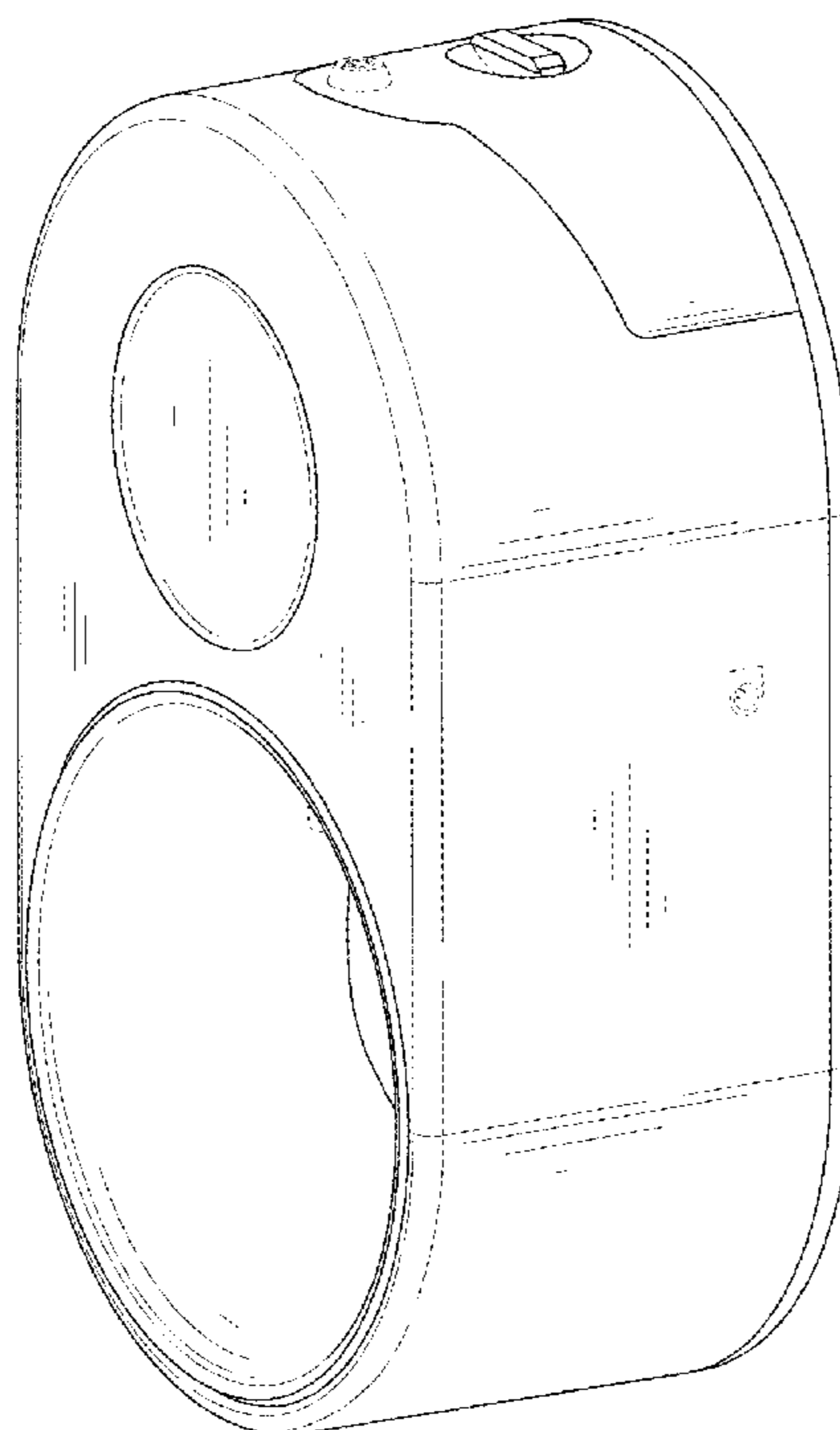
(57) **CLAIM**

The ornamental design for a hand washing device, as shown and described.

DESCRIPTION

FIG. 1 is a perspective view of a hand washing device showing my new design;
FIG. 2 is a front view thereof;
FIG. 3 is a back view thereof;
FIG. 4 is a left side view thereof;
FIG. 5 is a right side view thereof;
FIG. 6 is a top view thereof;
FIG. 7 is a bottom view thereof; and,
FIG. 8 is another perspective view showing the hand washing device in a position of use.
The broken lines in the drawings depict portions of the hand washing device in which the design is embodied that form no part of the claimed design. The broken lines at the bottom of the article in FIG. 8 depict environmental subject matter that forms no part of the claimed design.

1 Claim, 8 Drawing Sheets



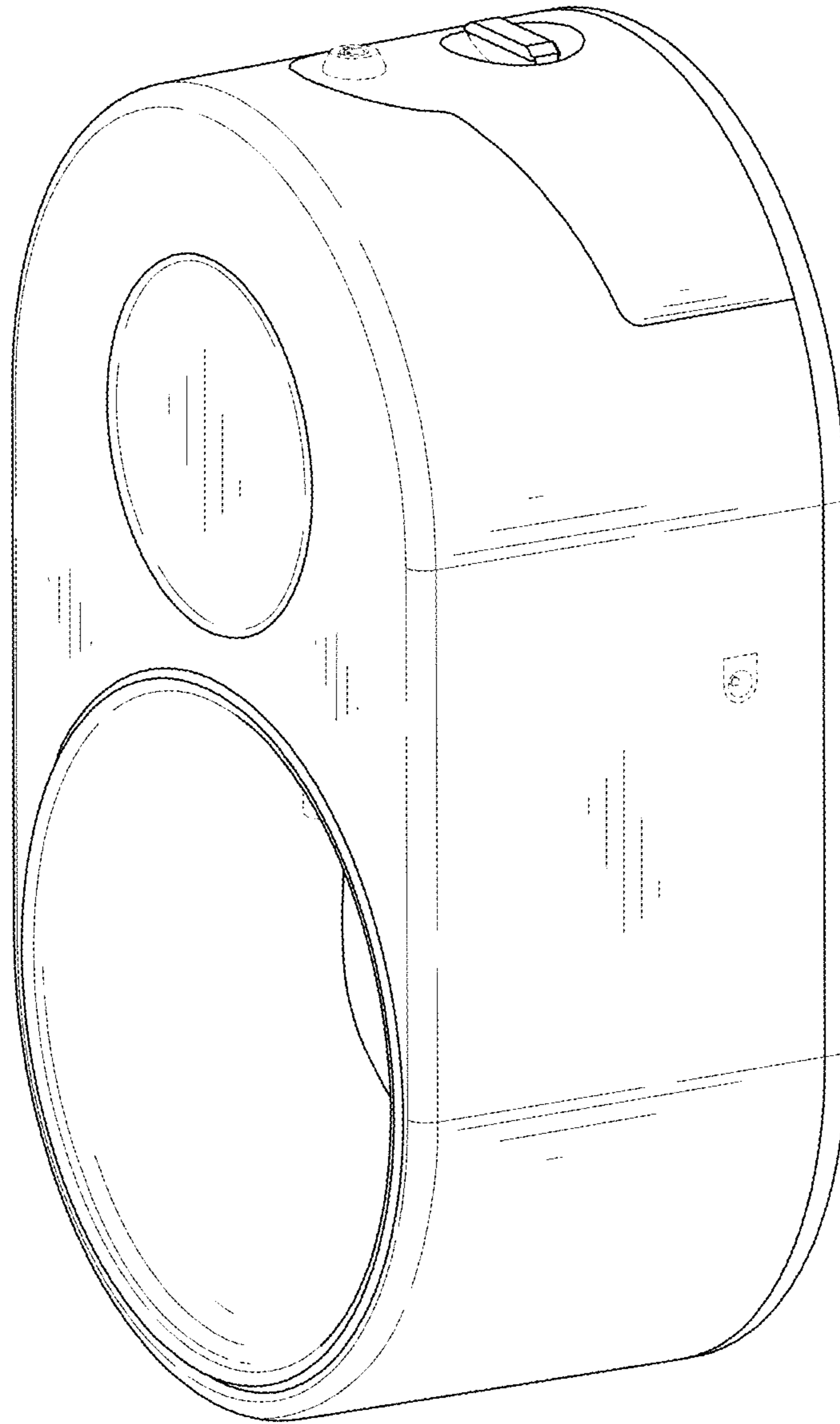


FIG. 1

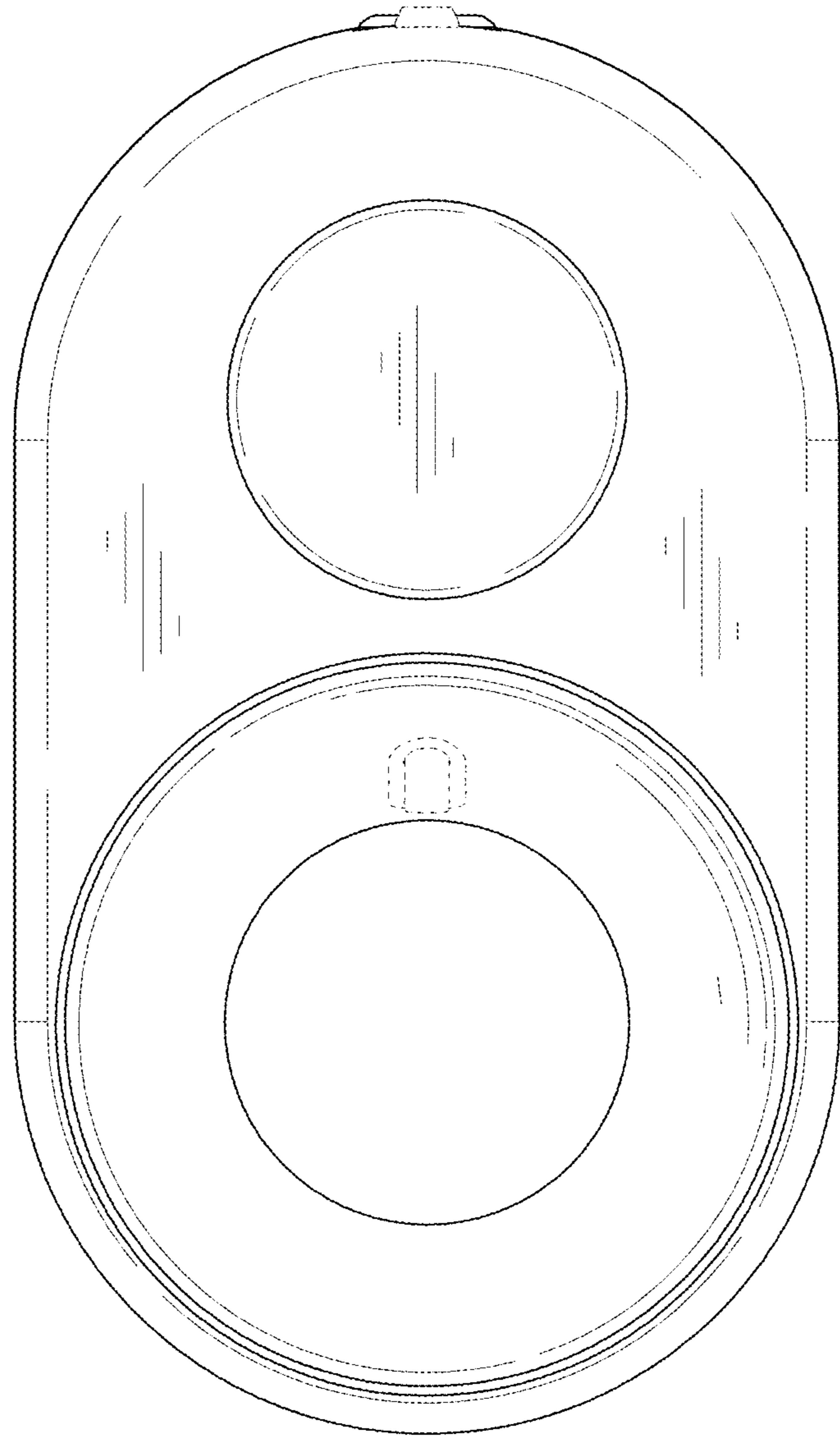


FIG. 2

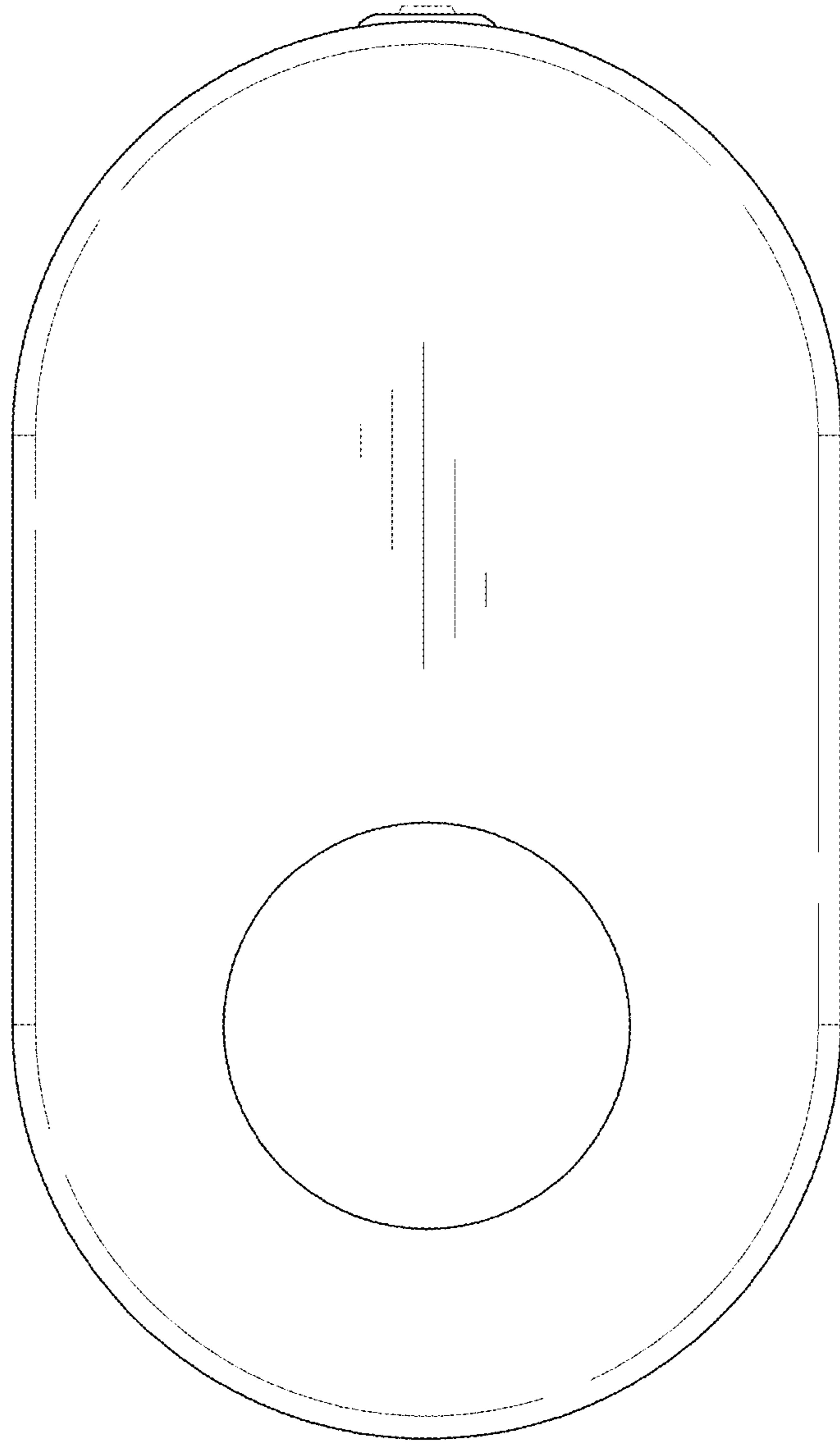


FIG. 3

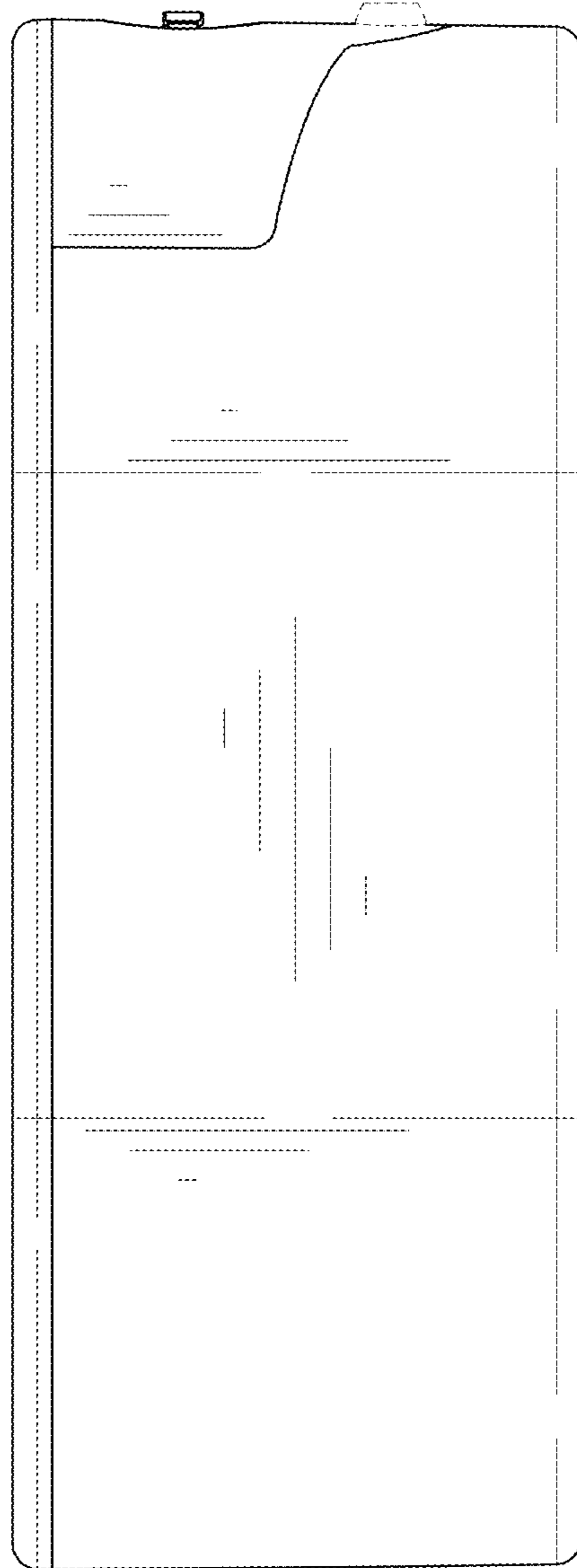


FIG. 4

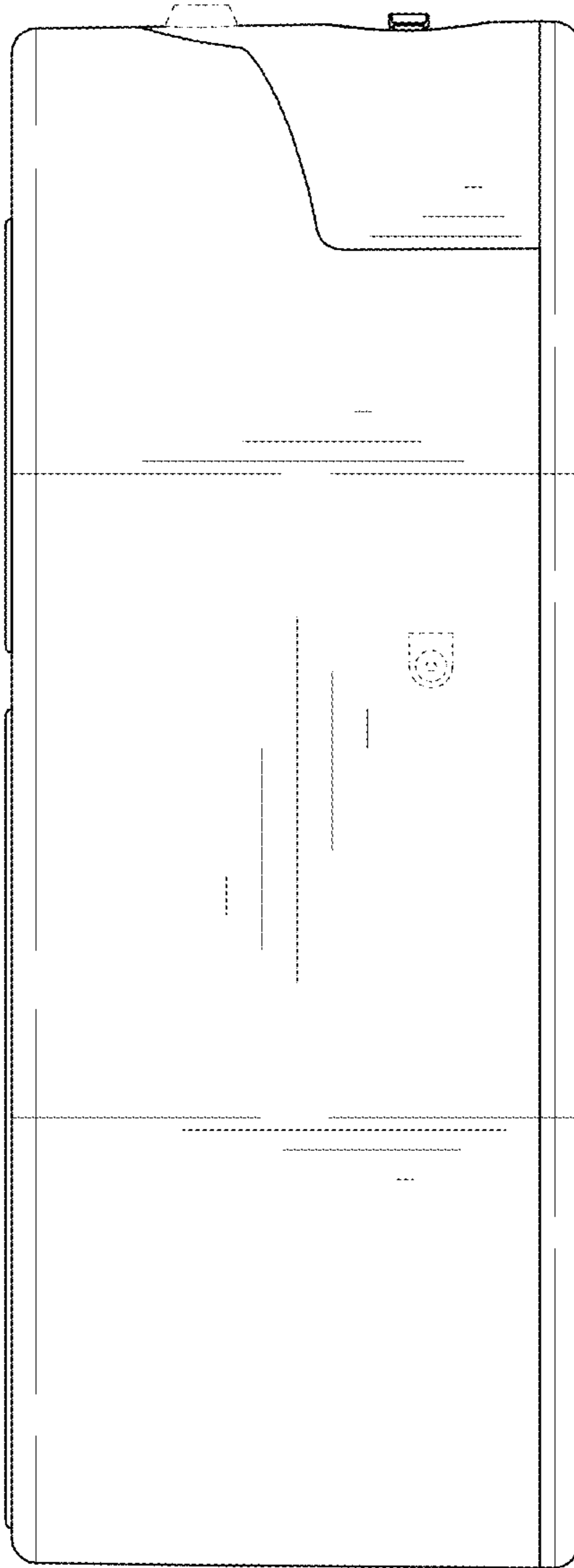


FIG. 5

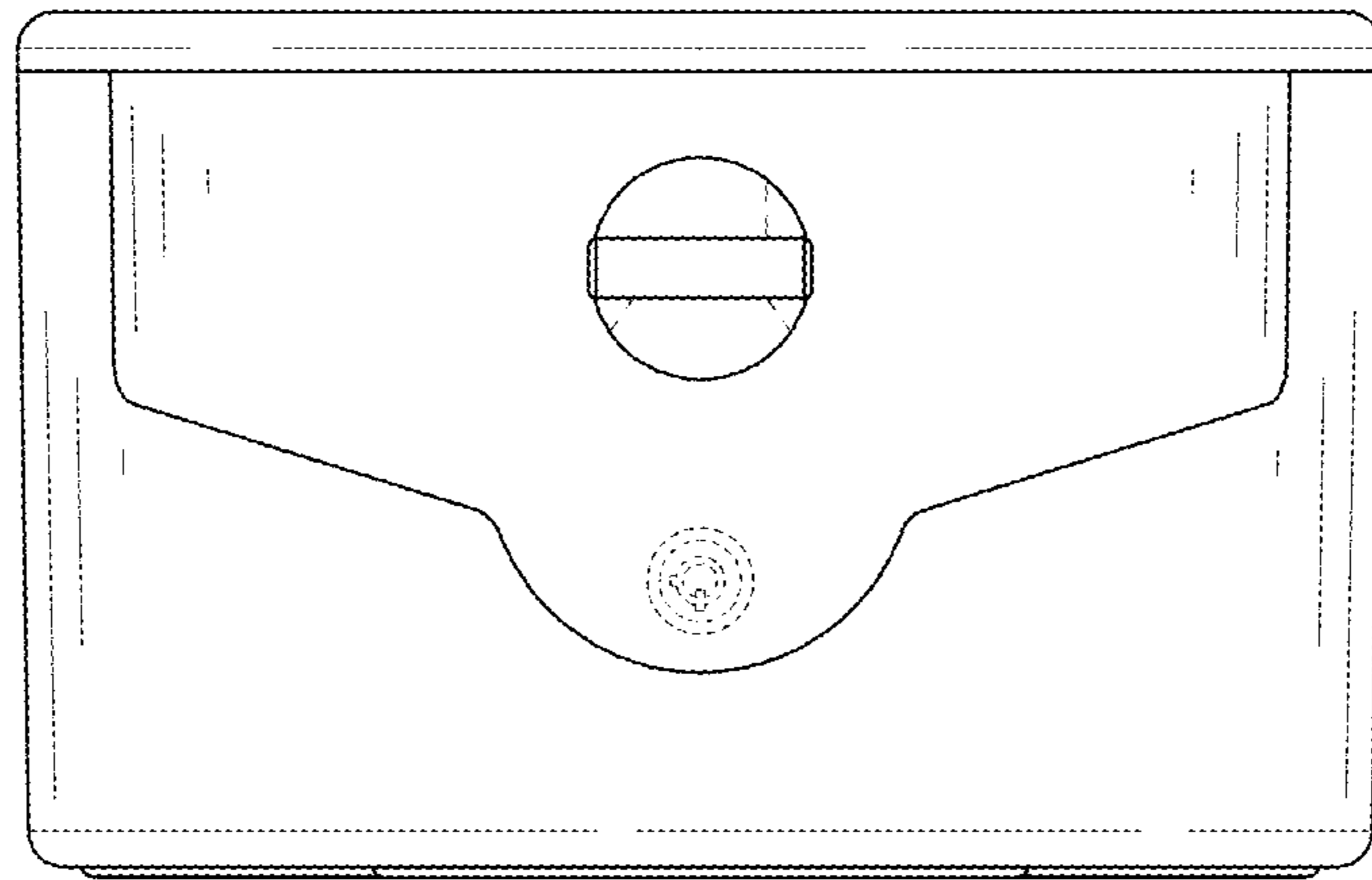


FIG. 6

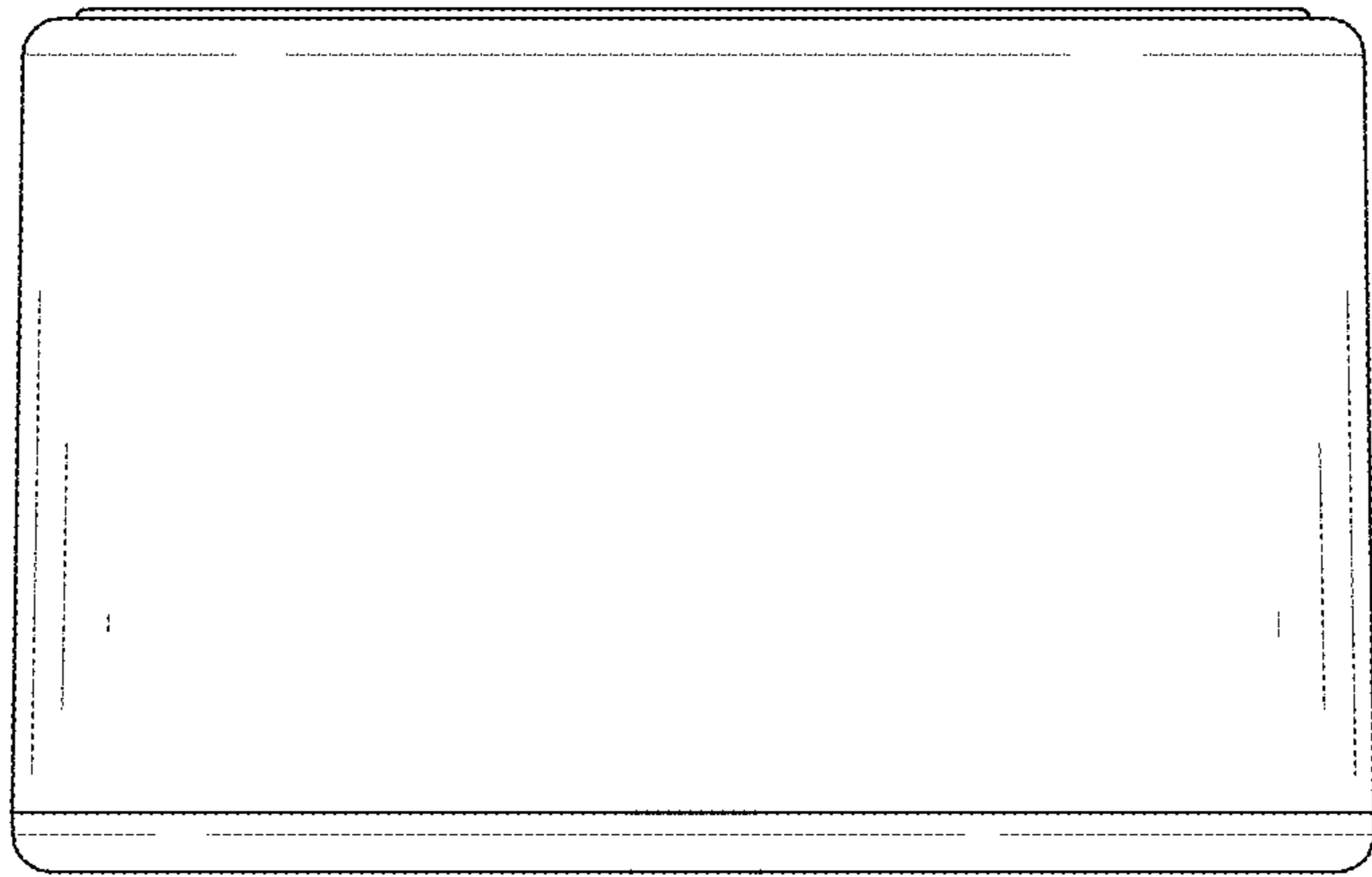


FIG. 7

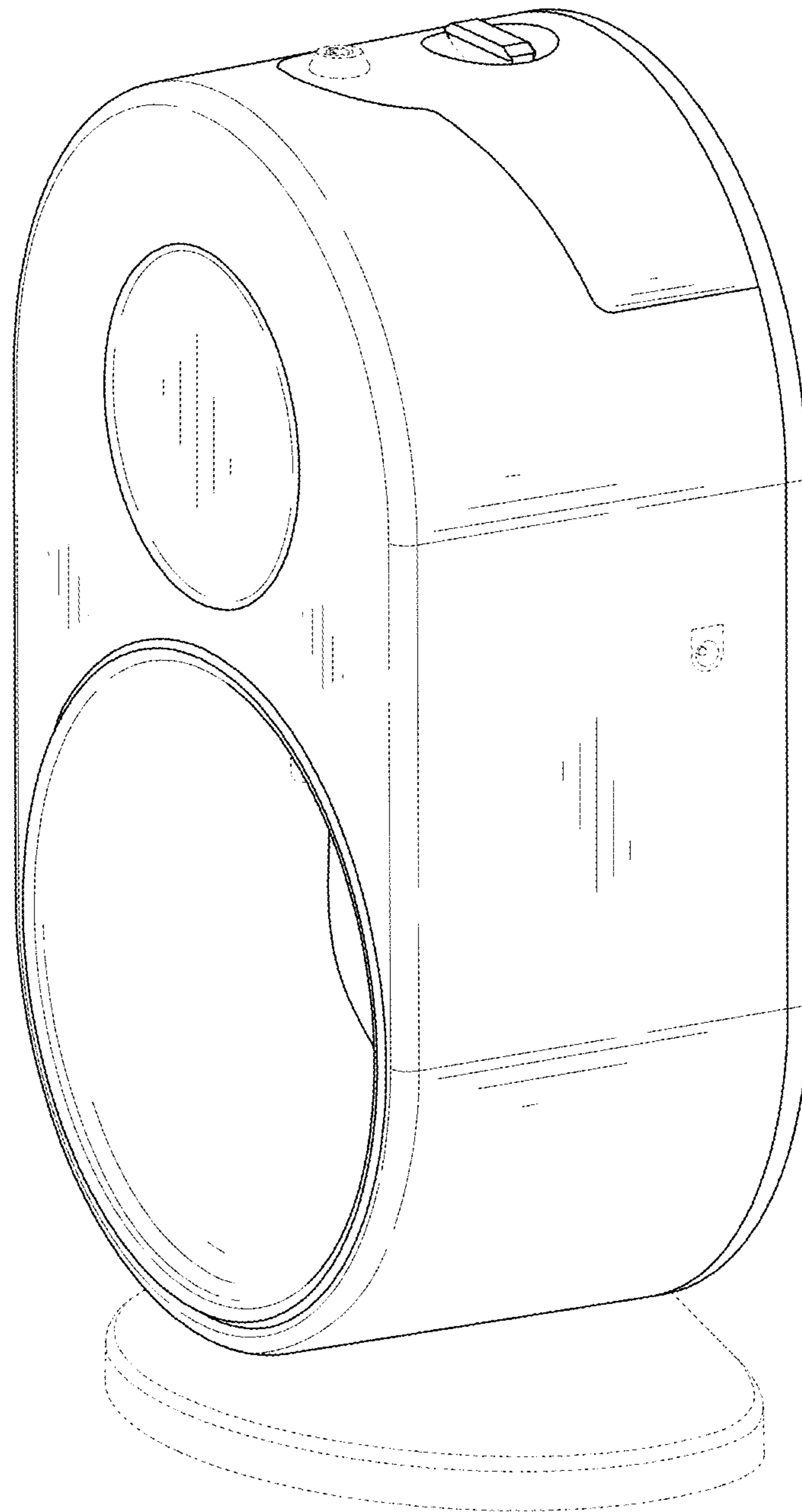


FIG. 8