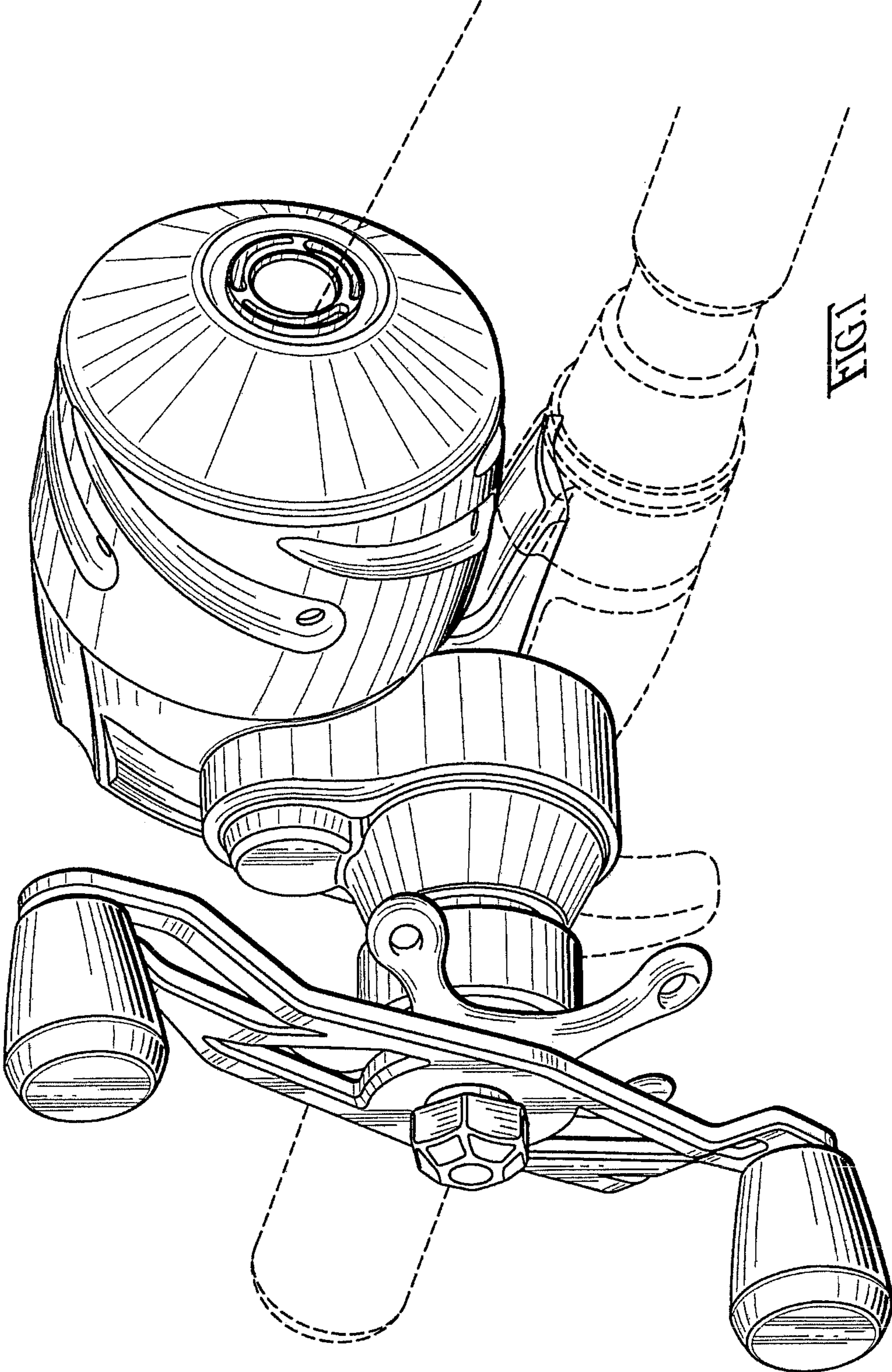
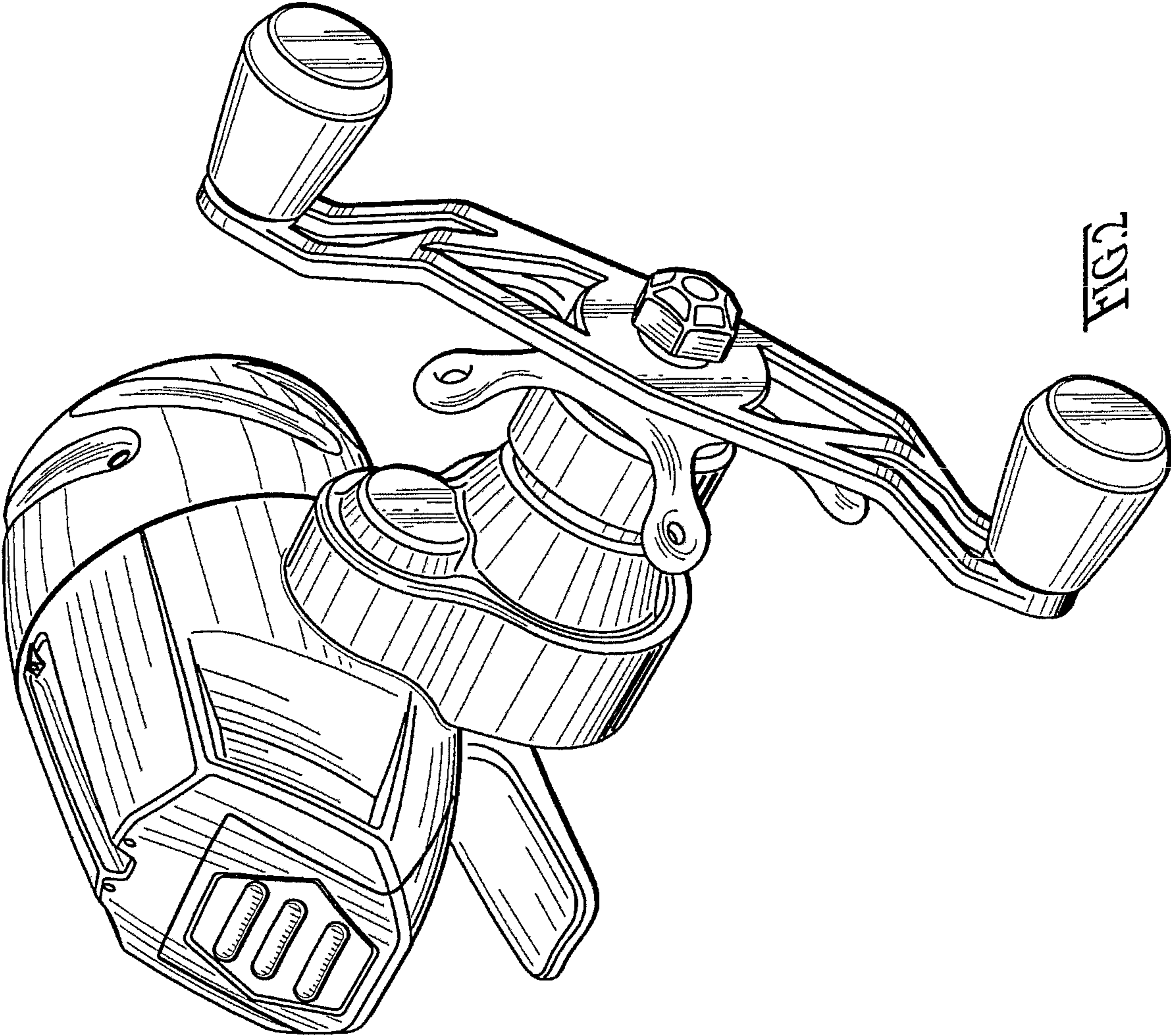


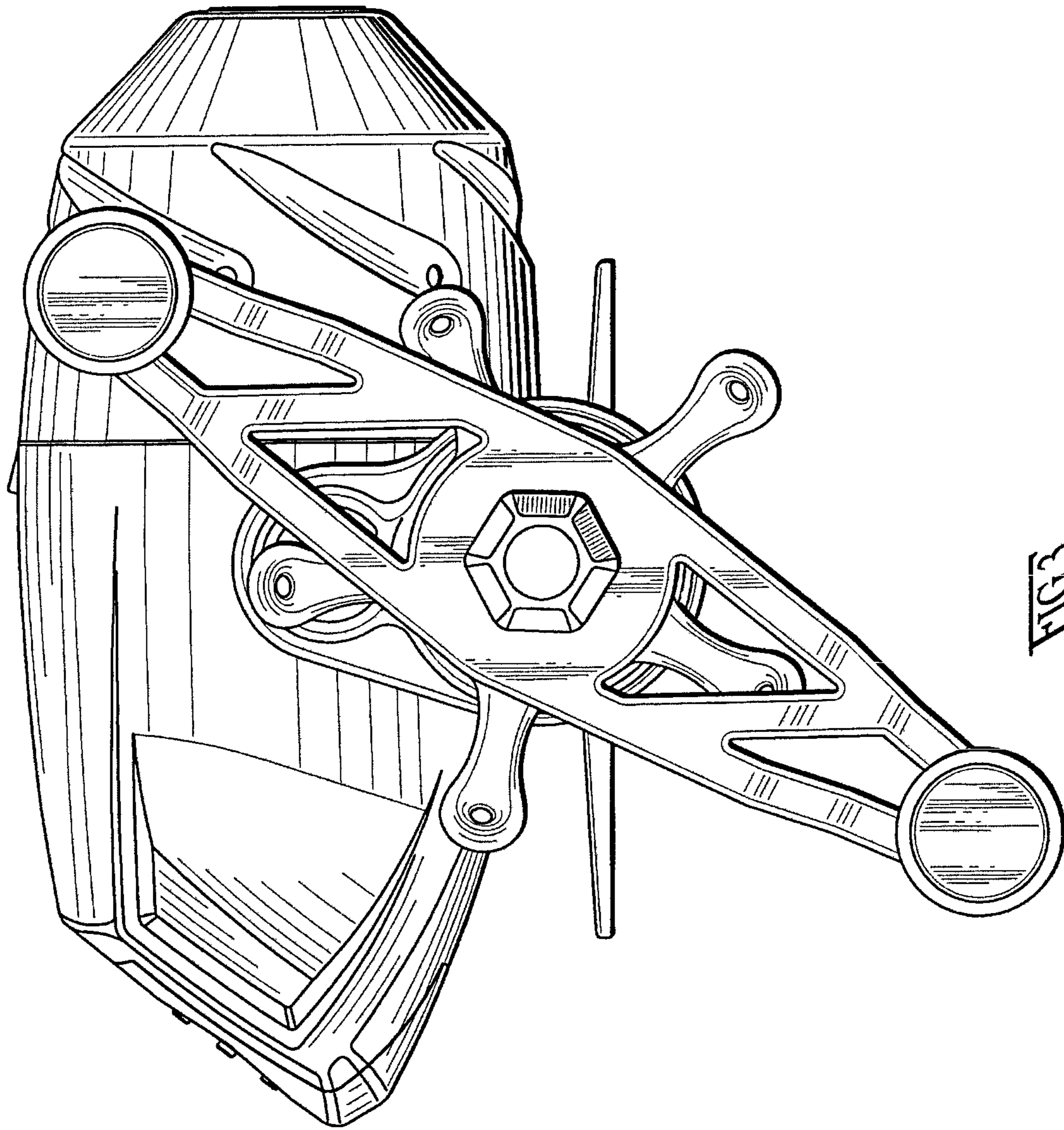


cover body style spincast reel is included for the purpose of illustrating environment only and forms no part of the claimed design.

**1 Claim, 8 Drawing Sheets**







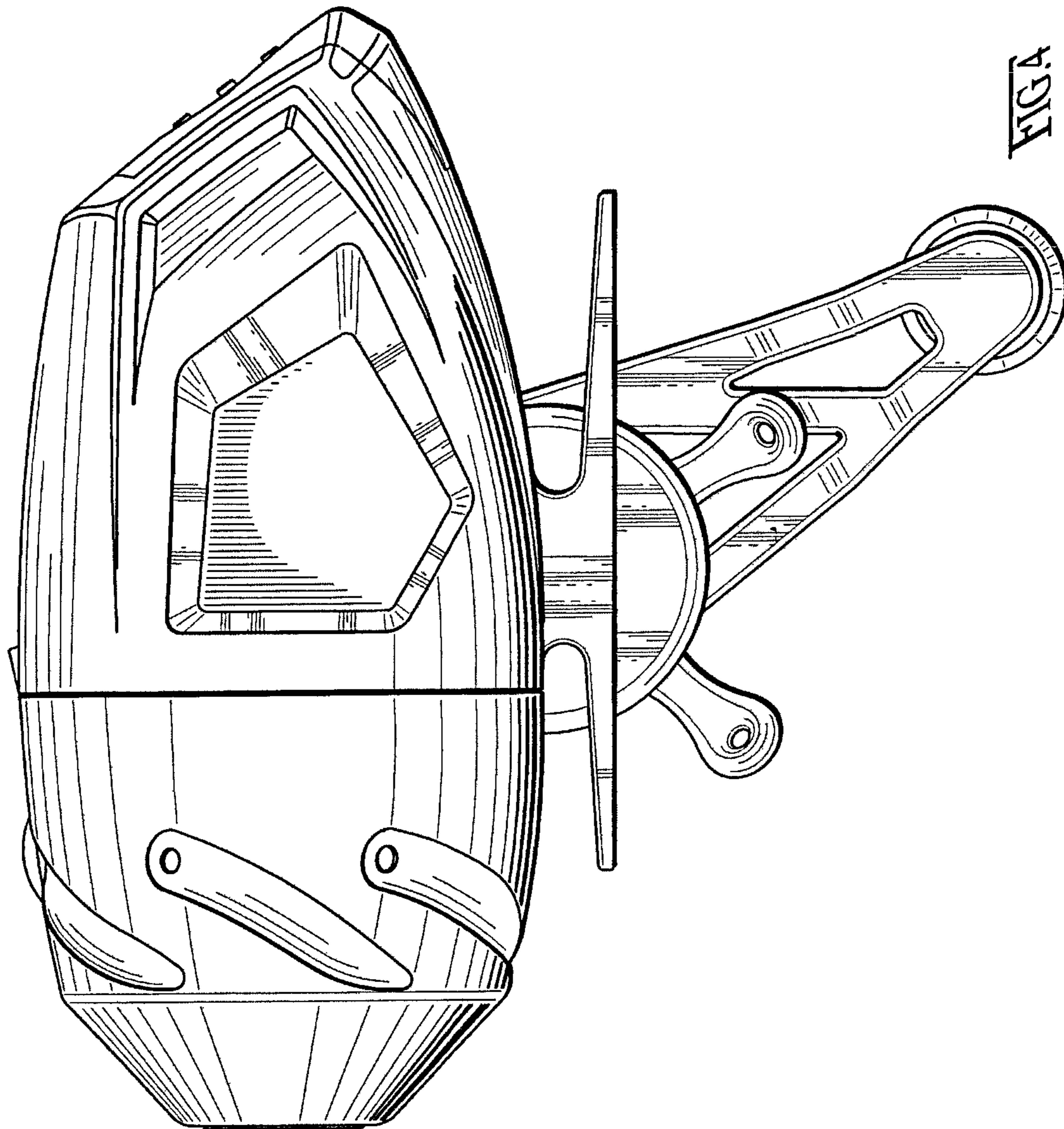


FIG. 4

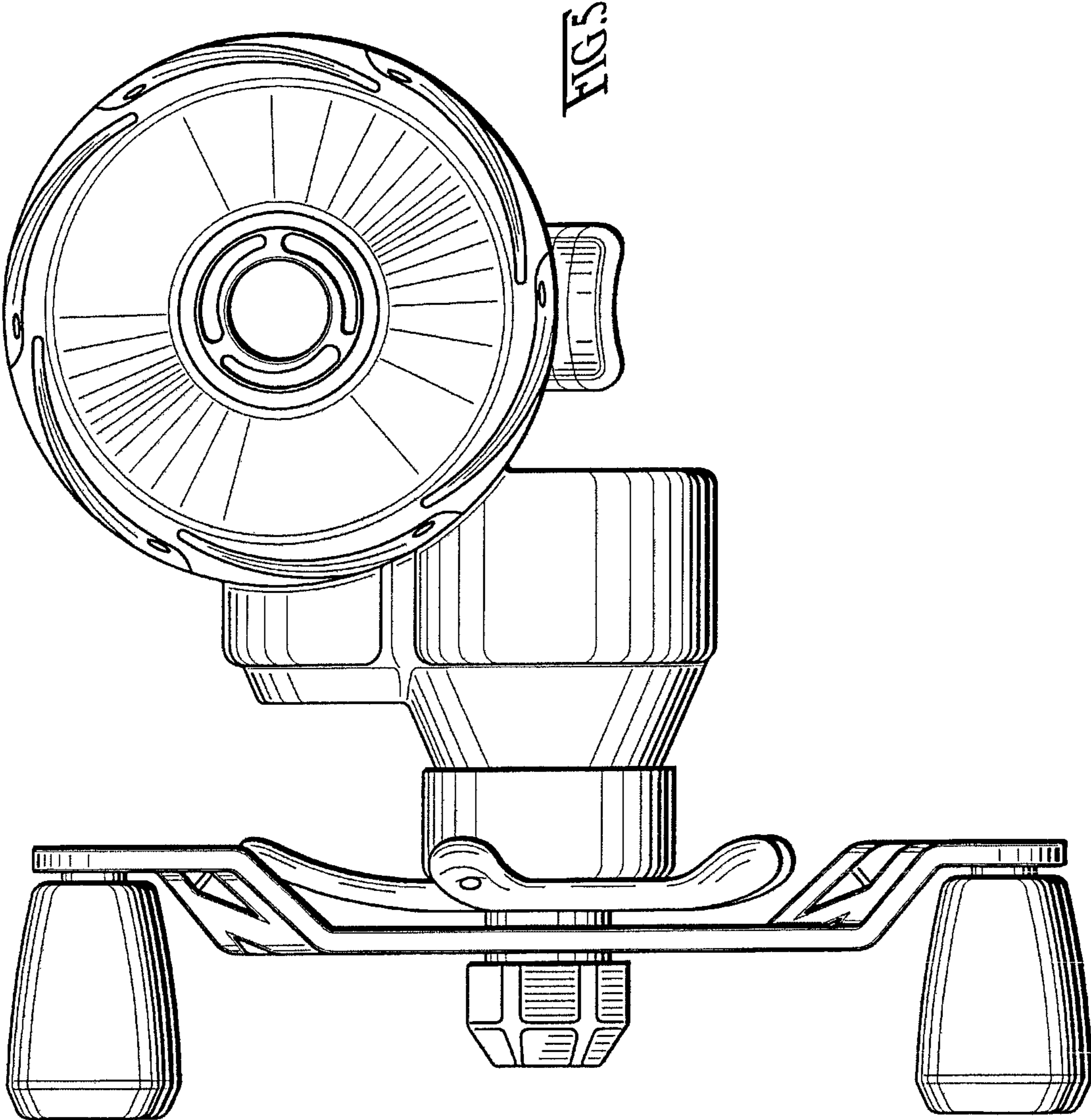
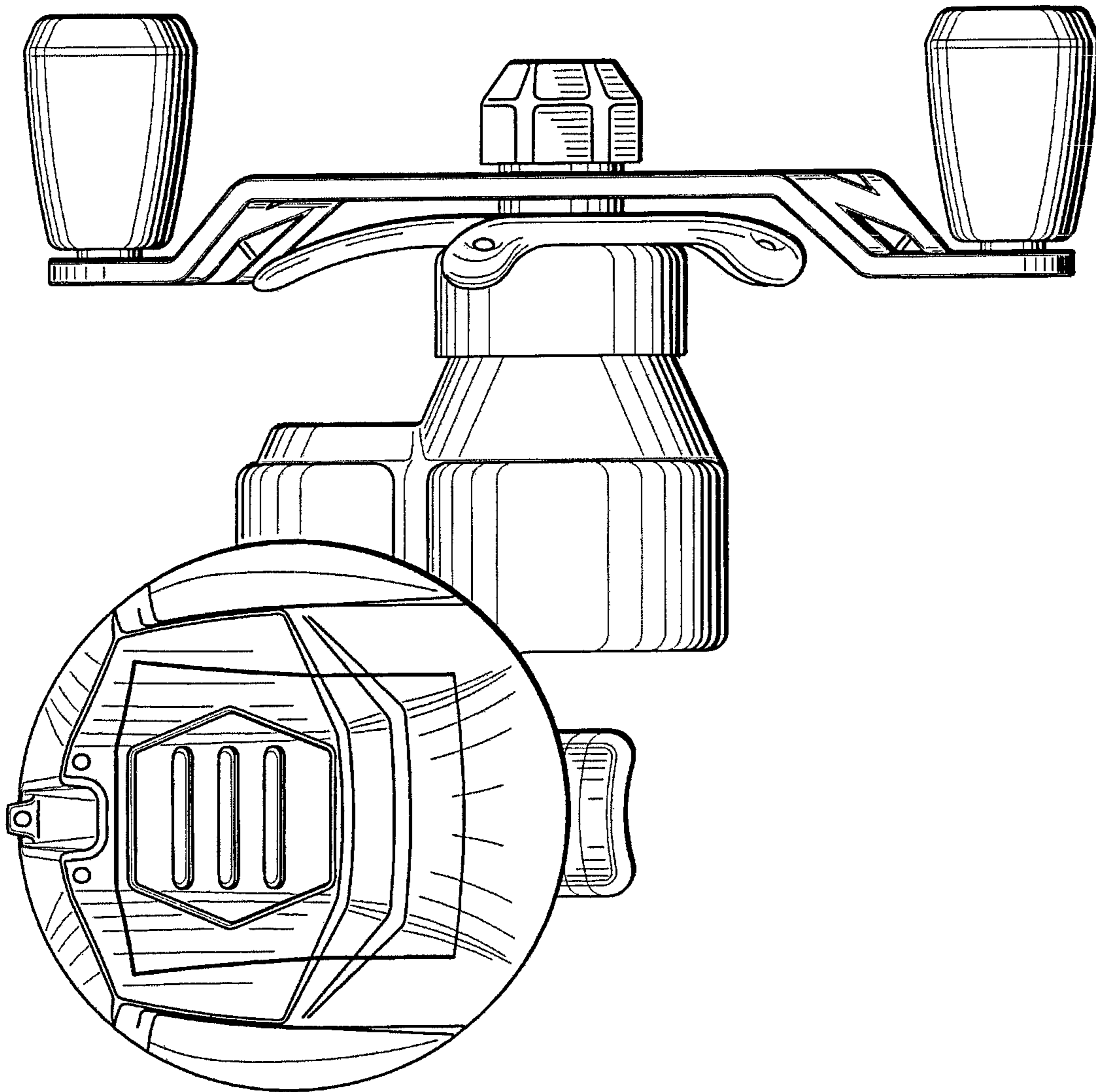


FIG. 6





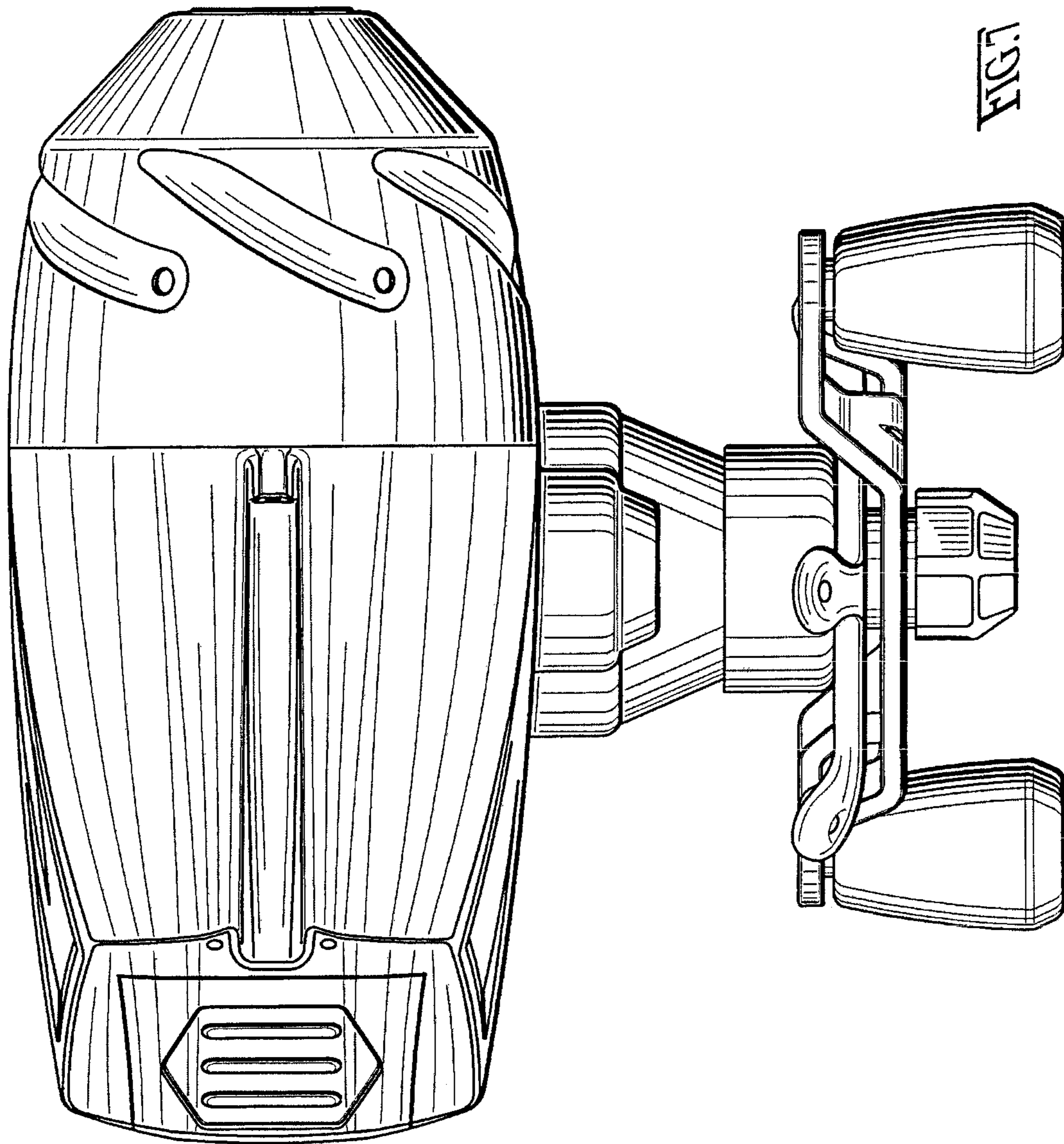


FIG. 7

