

US00D965729S

(12) **United States Design Patent** (10) **Patent No.:** **US D965,729 S**
Kinney et al. (45) **Date of Patent:** **** Oct. 4, 2022**

(54) **INTERCHANGEABLE BLADE KNIFE**

CPC B26B 1/00; B26B 1/04; B26B 1/08; B26B 1/10; B26B 1/048; B26B 3/06; F41C 27/18

(71) Applicant: **AOB Products Company**, Columbia, MO (US)

See application file for complete search history.

(72) Inventors: **Timothy S. Kinney**, Warrenton, MO (US); **James Tayon**, Moberly, MO (US); **Michael Cottrell**, Ashland, MO (US); **Dennis W. Cauley, Jr.**, Fayette, MO (US); **Justin Burke**, Columbia, MO (US); **Brian Steere**, Columbia, MO (US); **Kyle Martin**, Columbia, MO (US); **Anthony Vesich**, Columbia, MO (US); **Seth Wheeler**, Columbia, MO (US); **Michael Lindsay**, Columbia, MO (US); **Ryan Varnum**, Columbia, MO (US); **Curtis Smith**, Columbia, MO (US); **Josh Neville**, Columbia, MO (US); **Mark Dalton**, Columbia, MO (US); **Matthew Kinamore**, Columbia, MO (US)

(56) **References Cited**

U.S. PATENT DOCUMENTS

3,241,236 A *	3/1966	Capps	B26B 3/00 30/294
3,900,950 A	8/1975	Collins	
4,841,638 A	6/1989	Bardeen et al.	
D320,544 S *	10/1991	Thompson	D8/98
5,123,167 A	6/1992	Kelley	
D346,422 S *	4/1994	Seber	D22/118

(Continued)

Primary Examiner — Catherine R Oliver-Garcia

(74) *Attorney, Agent, or Firm* — Stinson LLP

(57) **CLAIM**

The ornamental design for an interchangeable blade knife, as shown and described.

DESCRIPTION

FIG. 1 is a perspective view of a blade unit for the interchangeable blade knife;
FIG. 2 is a front view of the blade unit for the interchangeable blade knife;
FIG. 3 is a top view of the blade unit for the interchangeable blade knife;
FIG. 4 is a rear view of the blade unit for the interchangeable blade knife;
FIG. 5 is a bottom view of the blade unit for the interchangeable blade knife;
FIG. 6 is a right side view of the blade unit for the interchangeable blade knife; and,
FIG. 7 is a left side view of the blade unit for the interchangeable blade knife.
The broken line showing of a knife blade is included for the purpose of illustrating environment only and forms no part of the claimed design.

(73) Assignee: **AOB PRODUCTS COMPANY**, Columbia, MO (US)

(**) Term: **15 Years**

(21) Appl. No.: **29/790,149**

(22) Filed: **Nov. 9, 2021**

Related U.S. Application Data

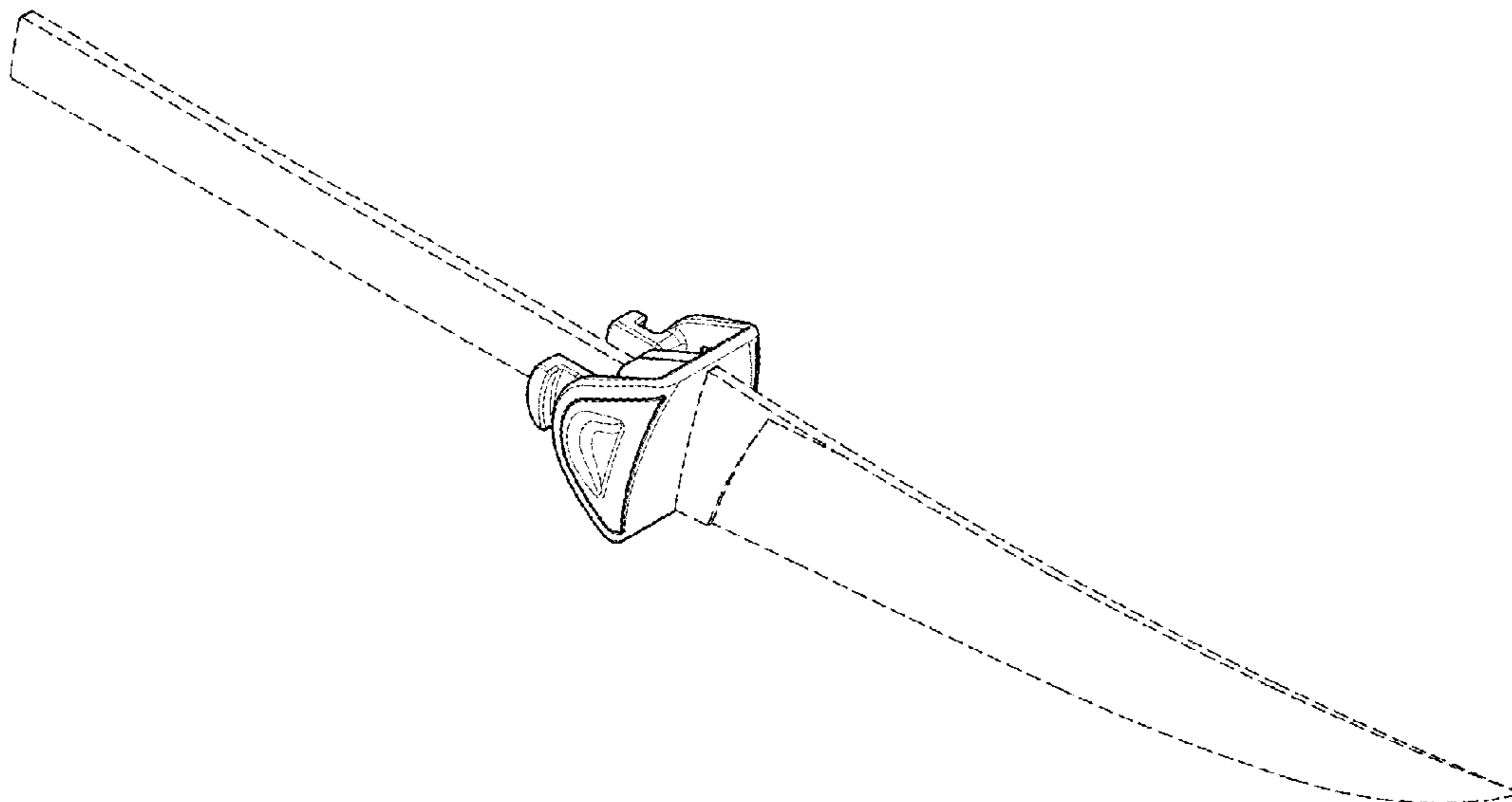
(62) Division of application No. 29/720,287, filed on Jan. 10, 2020, now Pat. No. Des. 940,267.

(51) **LOC (13) Cl.** **22-02**

(52) **U.S. Cl.**
USPC **D22/118**

(58) **Field of Classification Search**
USPC D22/118; D7/649-650; D8/95-99, 105, D8/107; 30/162, 165, 335-337, 342, 298

1 Claim, 6 Drawing Sheets



(56)

References Cited

U.S. PATENT DOCUMENTS

5,342,379	A	8/1994	Volinsky	
D397,190	S	8/1998	Balolia	
D402,856	S *	12/1998	Cohen	D7/649
5,933,918	A	8/1999	Wallays	
6,085,424	A	7/2000	Mai	
D709,983	S *	7/2014	Cagampang	D22/118
9,586,329	B2	3/2017	Schuft	
D791,267	S *	7/2017	Bloch	D22/118
D798,988	S *	10/2017	Wolf	D22/118
D801,469	S	10/2017	Mandeville et al.	
D844,737	S	4/2019	Jaramus et al.	
10,349,664	B2	7/2019	Schuft	
10,518,425	B2	12/2019	Bloch et al.	
D876,579	S	2/2020	Pohl	
D876,580	S	2/2020	Pohl	
D904,833	S *	12/2020	Singer	D7/649
D915,542	S *	4/2021	Cavanaugh, Jr.	D22/118
2005/0252010	A1	11/2005	Freeman	
2009/0038164	A1	2/2009	Vitantonio et al.	
2010/0170095	A1	7/2010	Russell	
2010/0263219	A1	10/2010	Kempker et al.	
2011/0030224	A1	2/2011	Wang	
2011/0030225	A1	2/2011	Wang	
2012/0079723	A1	4/2012	Owens	
2014/0345147	A1	11/2014	Frazer et al.	
2017/0151682	A1	6/2017	Cheng	
2017/0172162	A1	6/2017	Schuft	
2017/0190042	A1	7/2017	Yu	
2018/0036894	A1	2/2018	Bloch et al.	
2018/0099424	A1	4/2018	Huang	

* cited by examiner

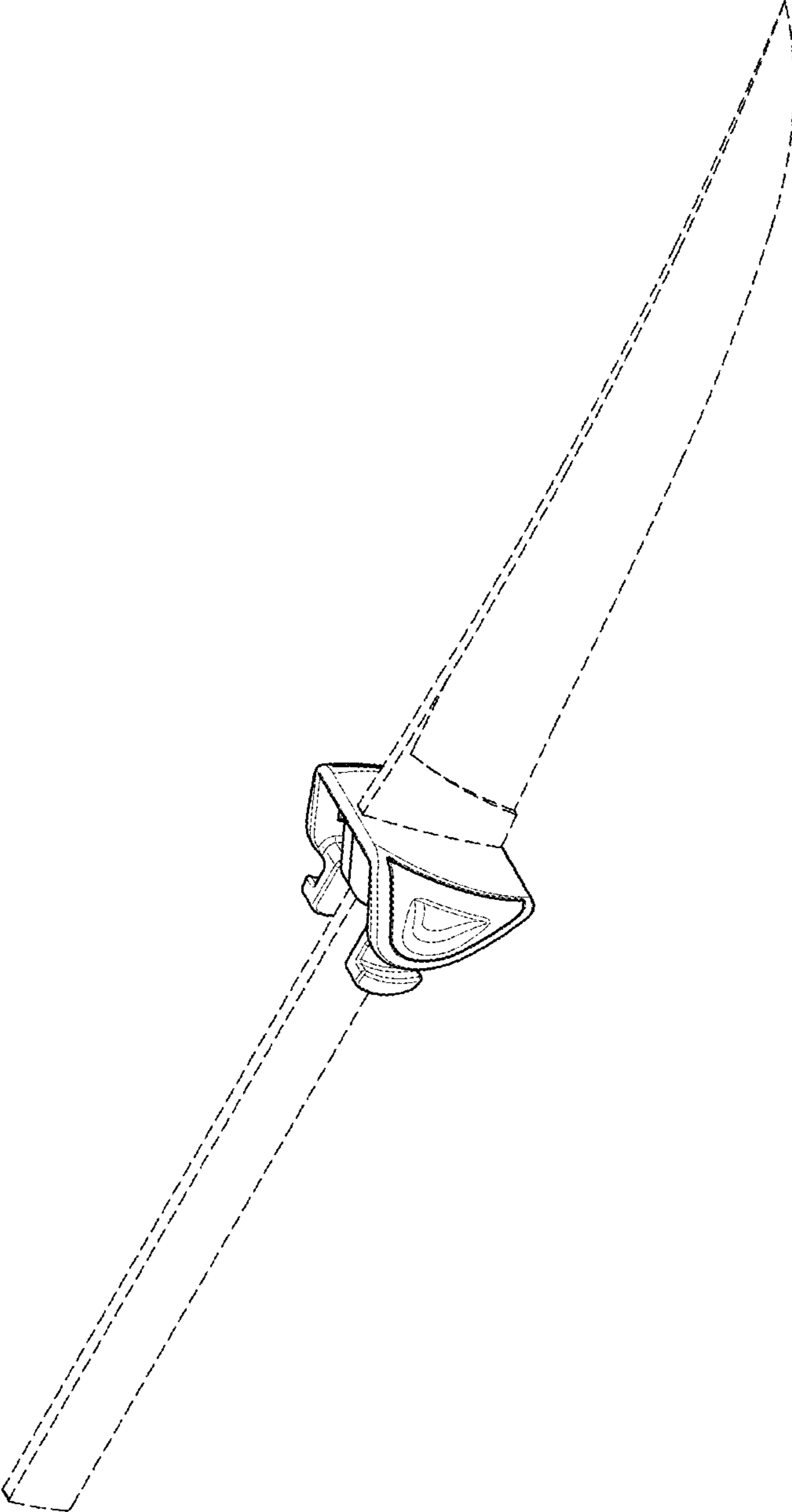


FIG. 1

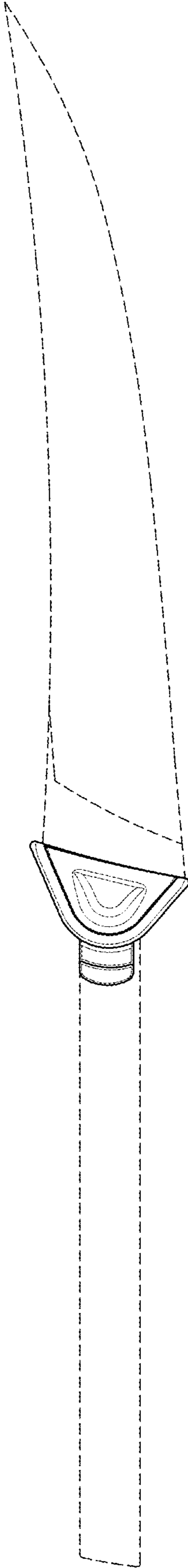


FIG. 2

FIG. 3

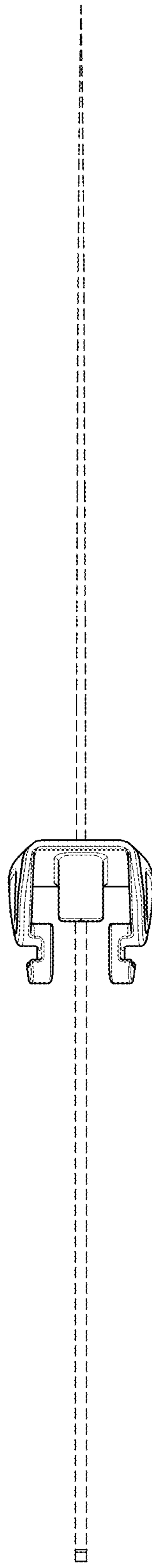
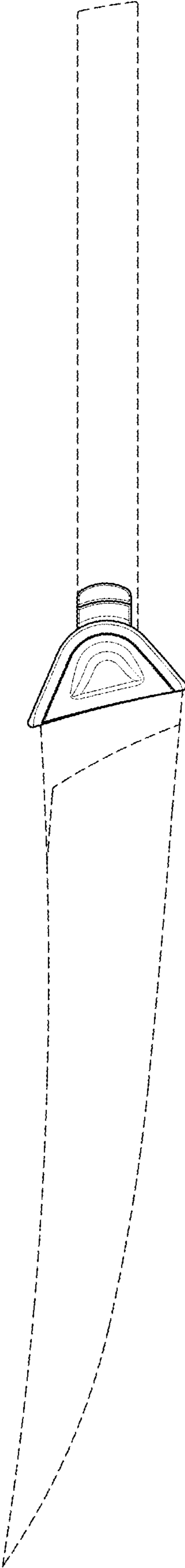


FIG. 4



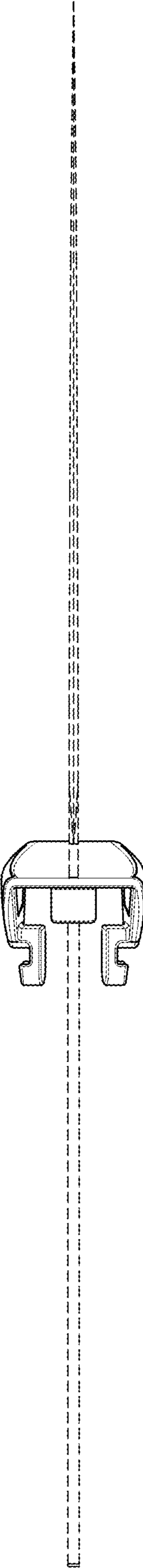


FIG. 5

FIG. 6

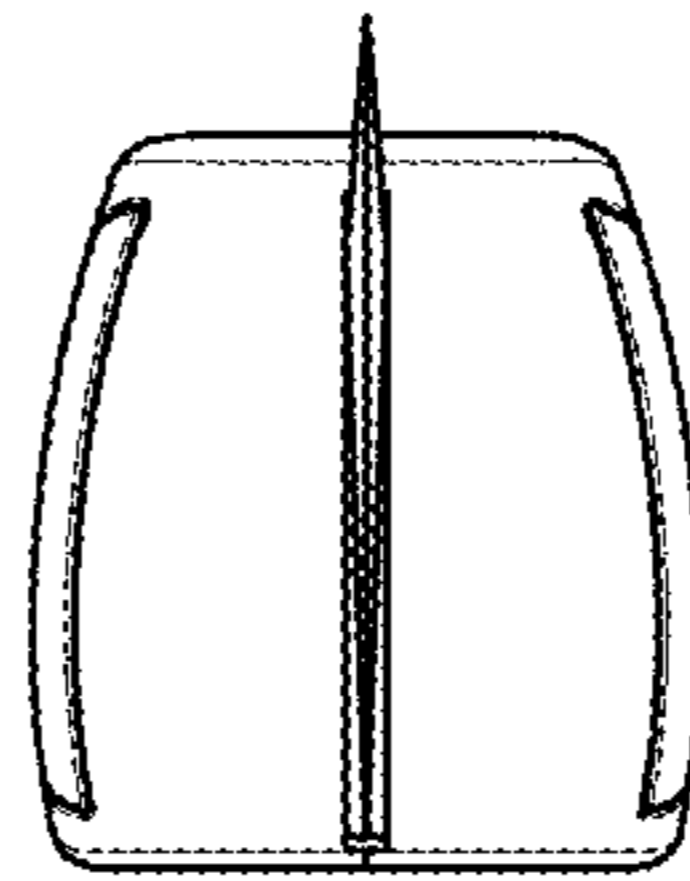


FIG. 7

