



US00D965728S

(12) **United States Design Patent** (10) **Patent No.:** **US D965,728 S**
Roe et al. (45) **Date of Patent:** **** Oct. 4, 2022**

(54) **LEDGE CUT FOR A HANDGUN**
(71) Applicant: **Shadow Systems LLC**, Plano, TX (US)
(72) Inventors: **Richard Trevor Simpson Roe**, Plano, TX (US); **Richard Pederson**, Plano, TX (US)
(73) Assignee: **Shadow Systems LLC**, Plano, TX (US)
(**) Term: **15 Years**
(21) Appl. No.: **29/734,539**
(22) Filed: **May 13, 2020**
(51) **LOC (13) Cl.** **22-01**
(52) **U.S. Cl.**
USPC **D22/108**
(58) **Field of Classification Search**
USPC D22/103, 104, 105, 108; D21/573–575
CPC .. F41A 9/18; F41A 19/11; F41A 17/54; F41C 3/04; F41C 3/08; F41C 3/16; F41C 7/00; F41C 7/06
See application file for complete search history.

(56) **References Cited**
U.S. PATENT DOCUMENTS
D503,207 S * 3/2005 Salva D22/104
D599,430 S * 9/2009 Siddle D22/108
D676,094 S * 2/2013 Hu D22/108
D755,326 S * 5/2016 Siddle D22/108
D780,280 S 2/2017 Niswander et al.
D808,487 S * 1/2018 Beville D22/104
D815,233 S * 4/2018 Toner D22/104
D828,881 S * 9/2018 Lee D21/574
(Continued)

OTHER PUBLICATIONS
Castiglione, Alexander. "Shadow System Releases New Compact Multi-Role Pistol—The MR920" Posted: Jan. 20, 2020 [visited:

Dec. 27, 2021] Recoil URL: <https://www.recoilweb.com/shadow-system-releases-new-compact-multi-role-pistol-the-mr920-156693.html> (Year: 2020).*

(Continued)

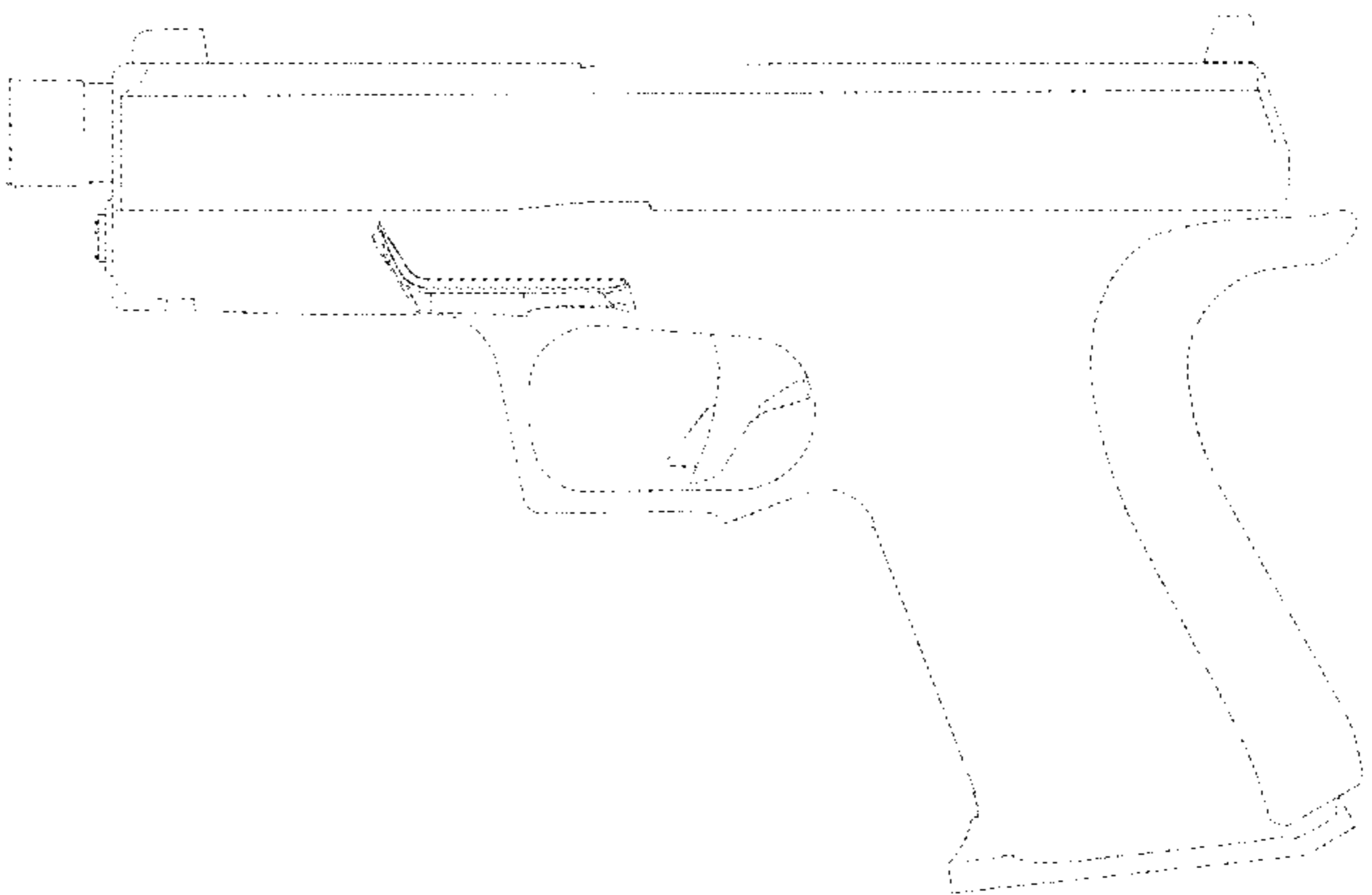
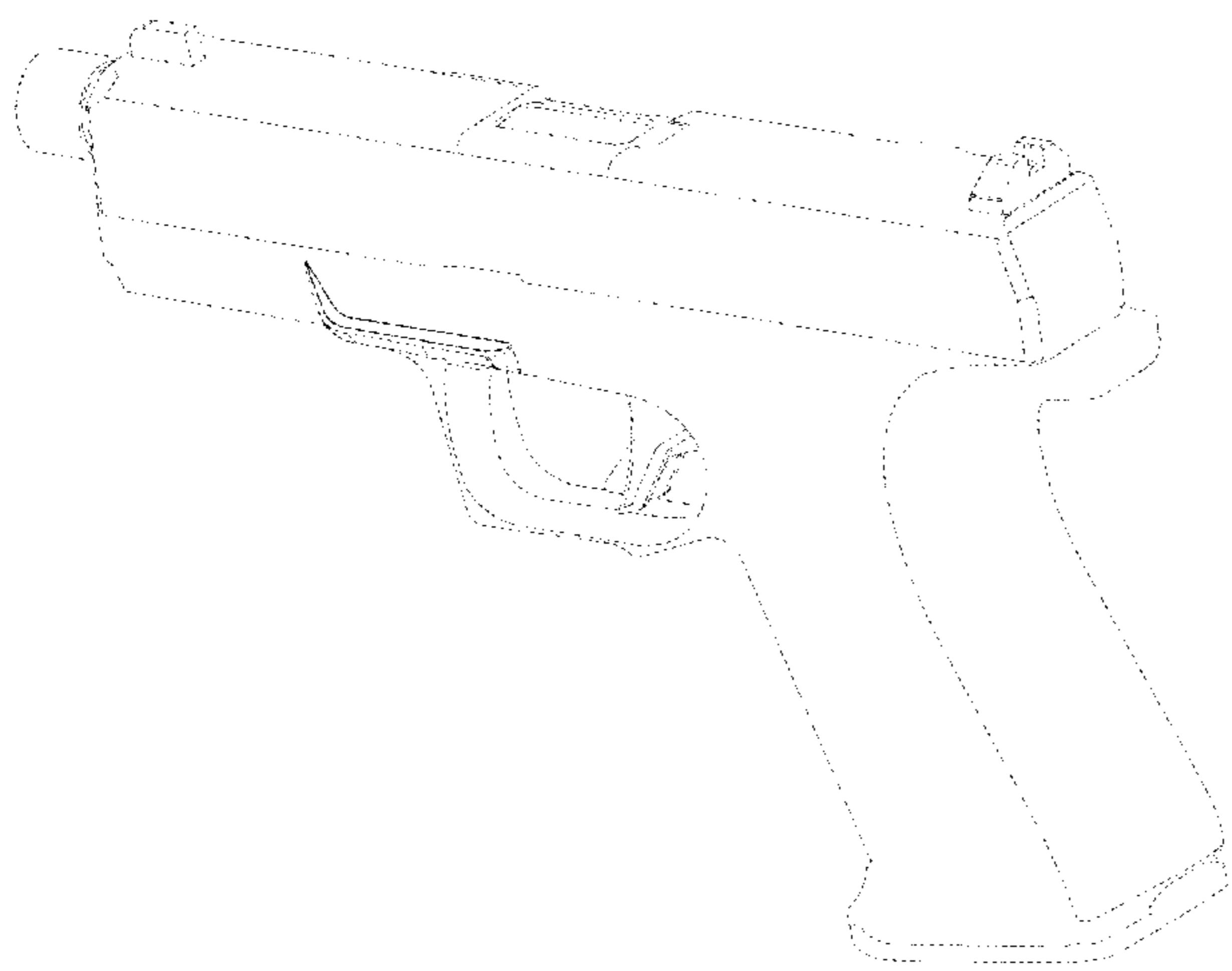
Primary Examiner — Michael A. Pratt
(74) *Attorney, Agent, or Firm* — Kim IP Law Group LLC

(57) **CLAIM**
The ornamental design for a ledge cut for a handgun, as shown and described.

DESCRIPTION

FIG. 1 is a left-side perspective view of a first embodiment of a ledge cut for a handgun, in accordance with the new design;
FIG. 2 is a left-side view of the ledge cut for a handgun of FIG. 1;
FIG. 3 is a right-side view of the ledge cut for a handgun of FIG. 1;
FIG. 4 is a front view of the ledge cut for a handgun of FIG. 1;
FIG. 5 is a top view of the ledge cut for a handgun of FIG. 1;
FIG. 6 is a bottom view of the ledge cut for a handgun of FIG. 1;
FIG. 7 is a right-side perspective view of a second embodiment of a ledge cut for a handgun, in accordance with the new design;
FIG. 8 is a left-side view of the ledge cut for a handgun of FIG. 7;
FIG. 9 is a right-side view of the ledge cut for a handgun of FIG. 7;
FIG. 10 is a front view of the ledge cut for a handgun of FIG. 7;
FIG. 11 is a top view of the ledge cut for a handgun of FIG. 7; and,
FIG. 12 is a bottom view of the ledge cut for a handgun of FIG. 7.
The broken lines in the figures illustrate environment, specifically a firearm, that form no part of the claim.

1 Claim, 12 Drawing Sheets



(56)

References Cited

U.S. PATENT DOCUMENTS

D830,480 S * 10/2018 Chu D21/574
2014/0165442 A1 * 6/2014 Nebeker F41A 3/64
42/16
2018/0112944 A1 * 4/2018 Underwood F41A 17/56

OTHER PUBLICATIONS

Cox, Matthew. "A Truly Shootable Tactical Pistol: Shadow Systems Shows Off Its New Take." Posted: Jan. 22, 2020 [visited: Dec. 27, 2021] Military.com URL: <https://www.military.com/daily-news/2020/01/22/truly-shootable-tactical-pistol-shadow-systems-shows-its-new-take.html> (Year: 2020).*

Billings, Jacki. "Shadow Systems Releases New MR920 Pistol" Posted: Jan. 28, 2020 [visited: Dec. 20, 2021] Guns URL: <https://www.guns.com/news/2020/01/28/shadow-systems-releases-new-mr920-pistol> (Year: 2020).*

GLD1980. "Shadow Systems MR920" Posted: Feb. 12, 2020 [visited: Dec. 27, 2021] Glock Talk URL: <https://www.glocktalk.com/threads/shadow-systems-mr920.1810698/> (Year: 2020).*

* cited by examiner

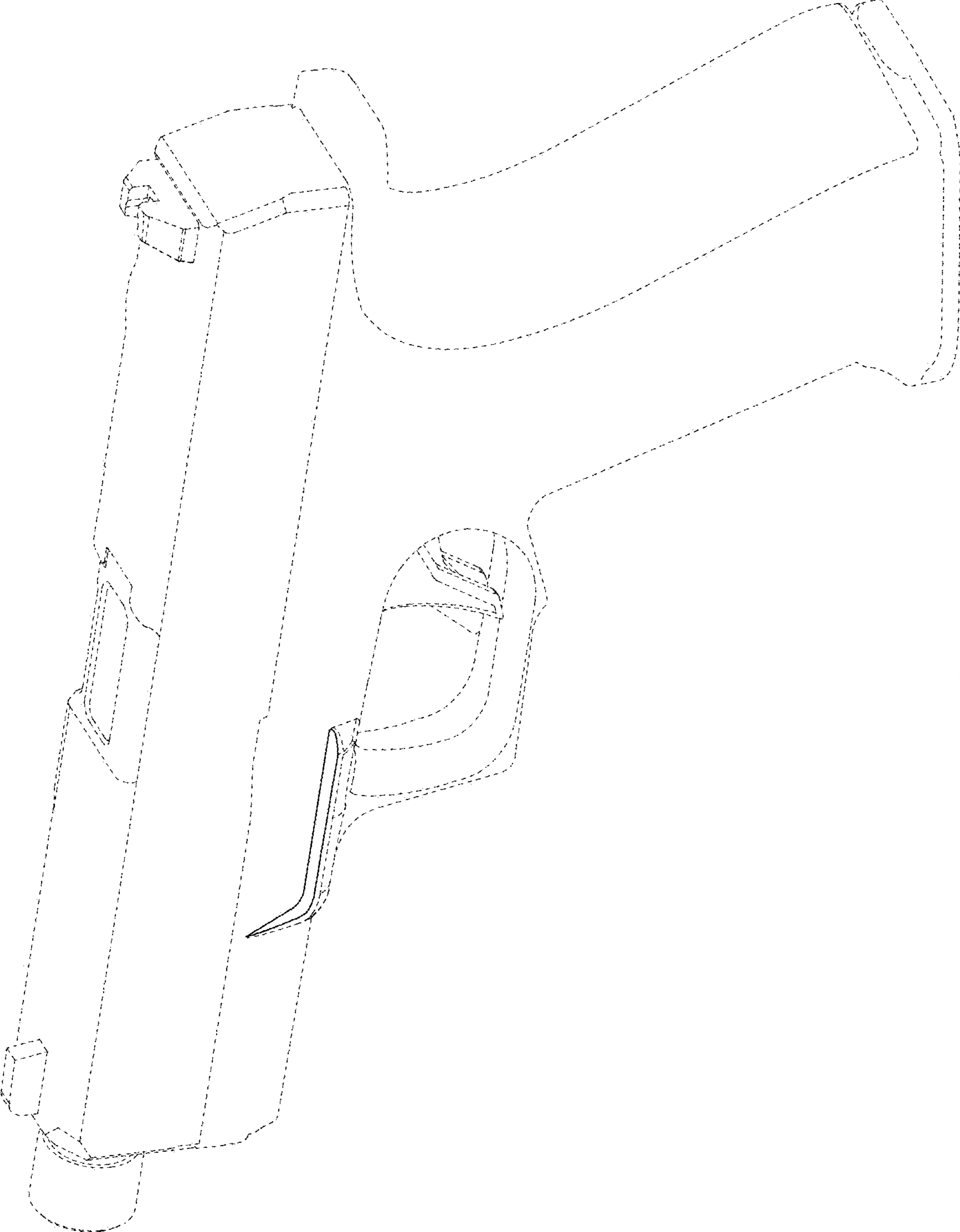


FIG. 1

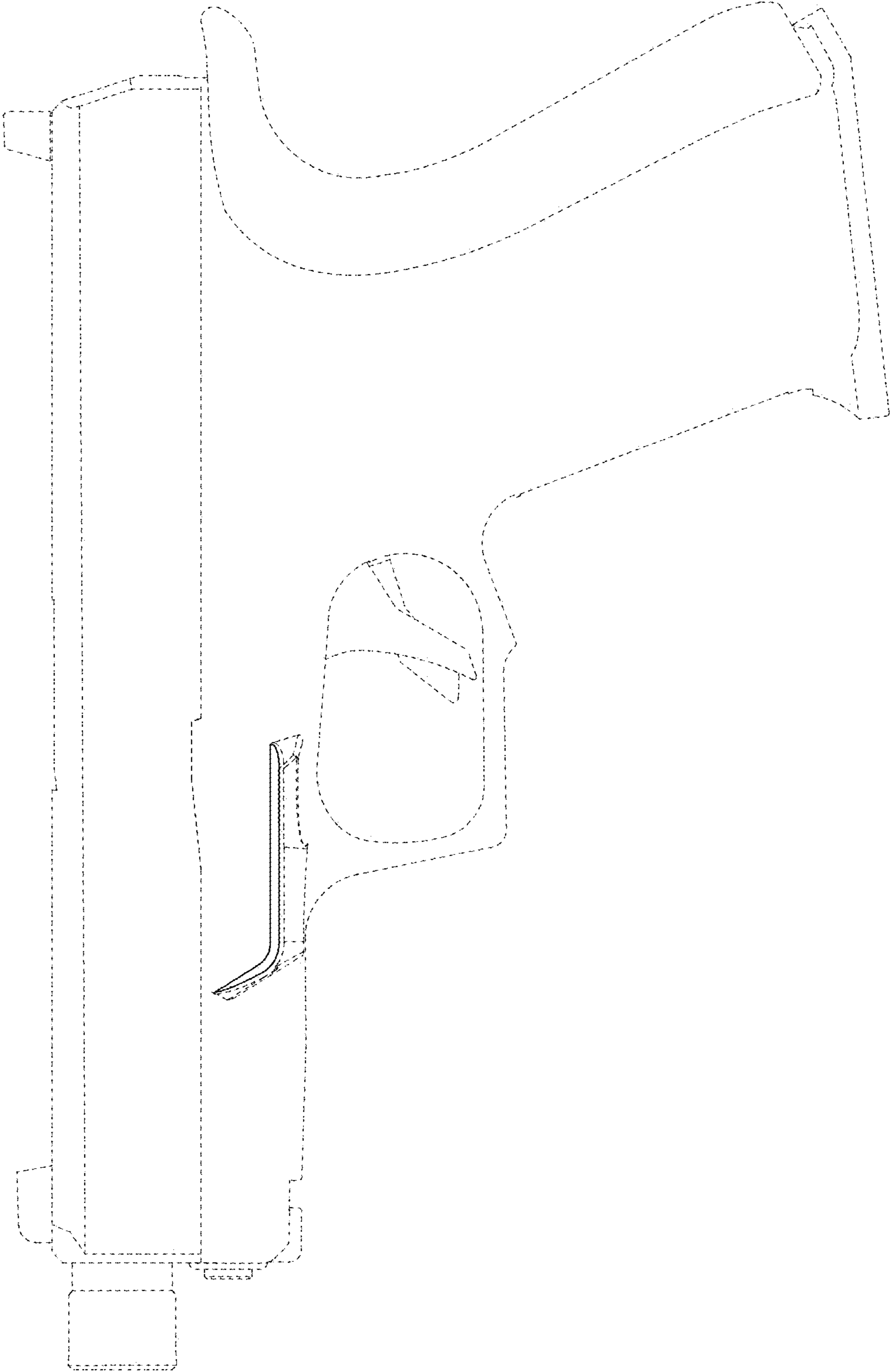


FIG. 2

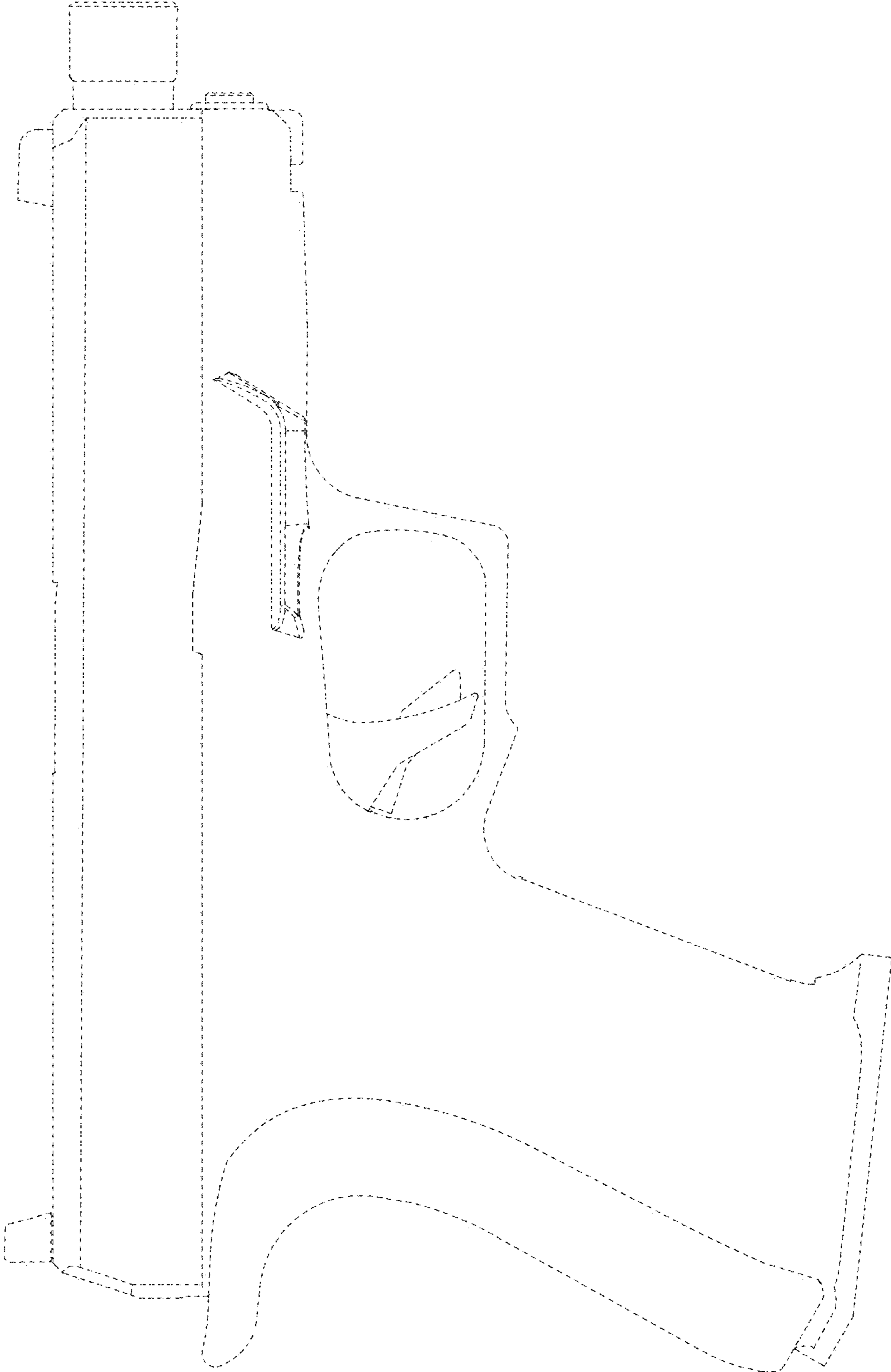


FIG. 3

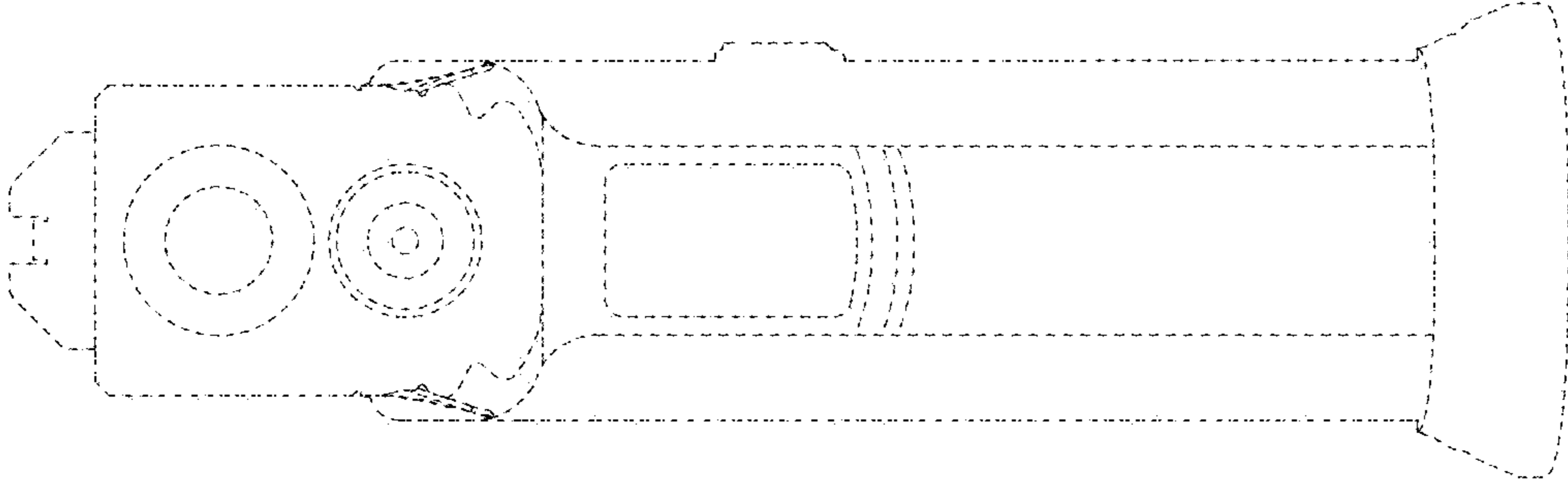


FIG. 4

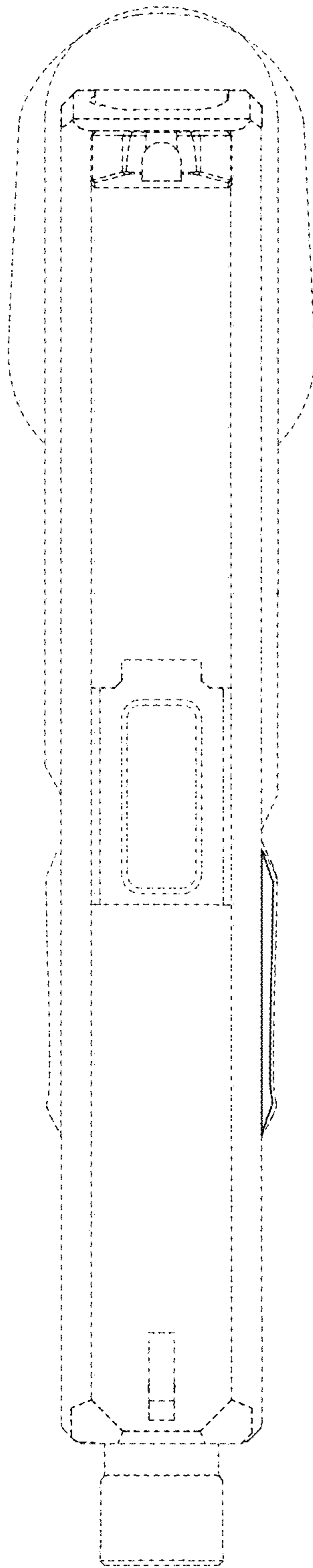


FIG. 5

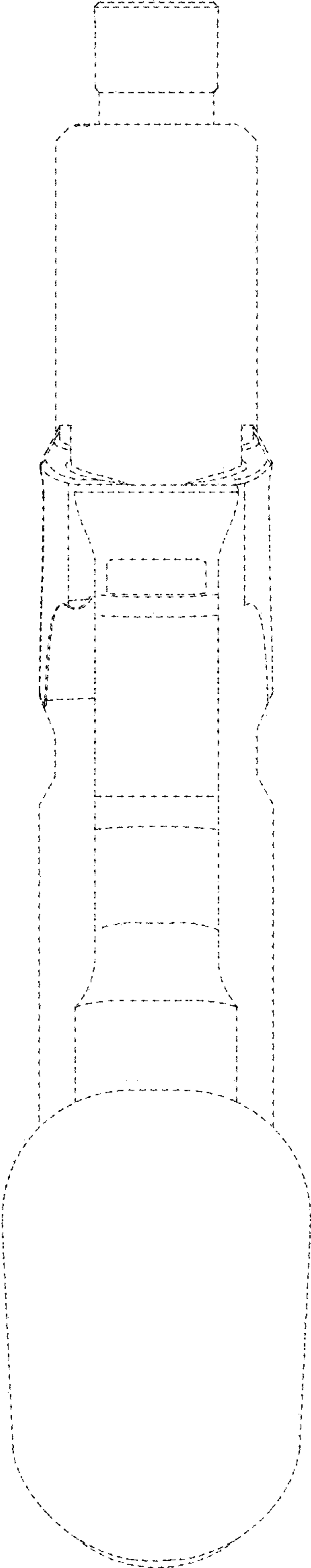


FIG. 6

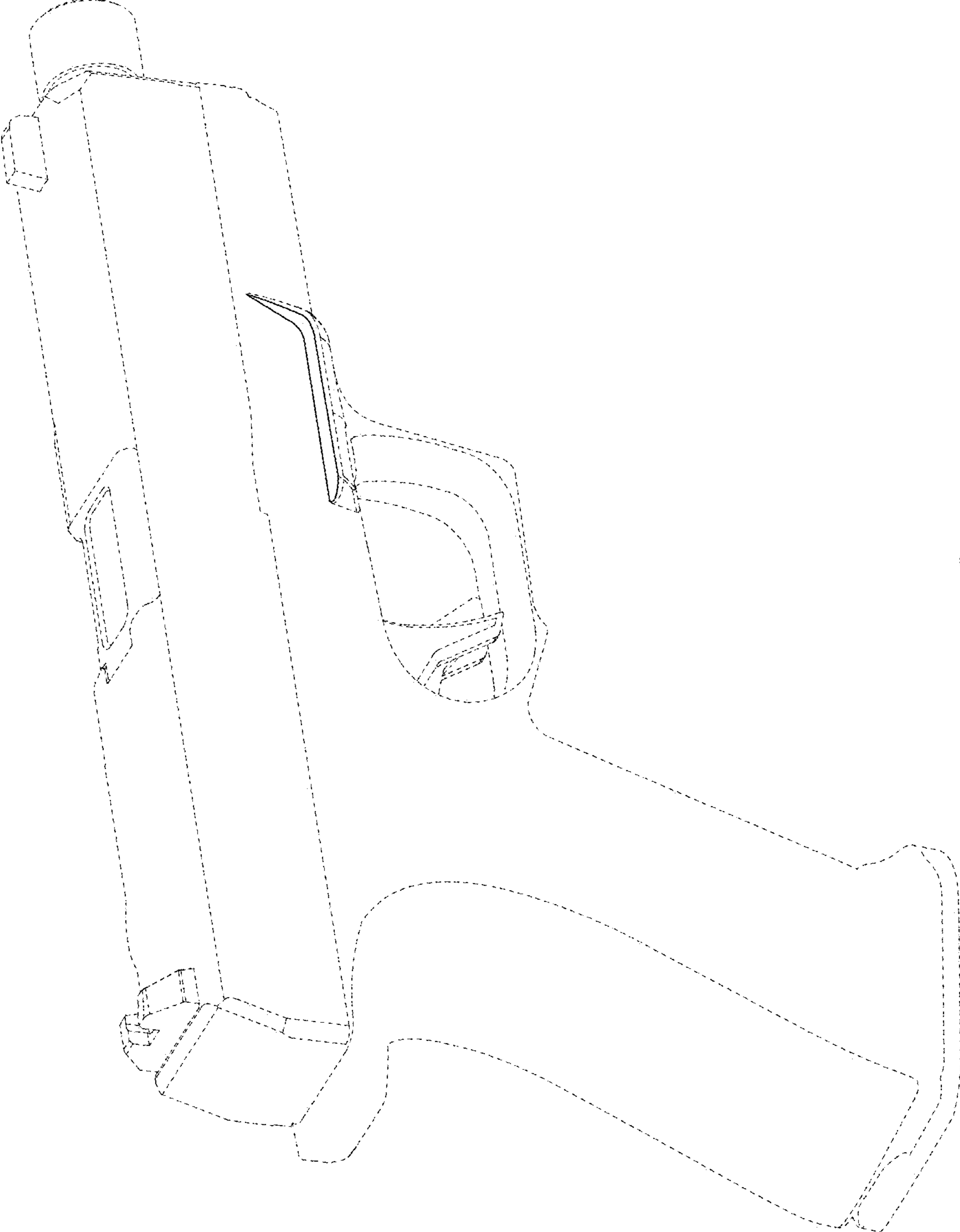


FIG. 7

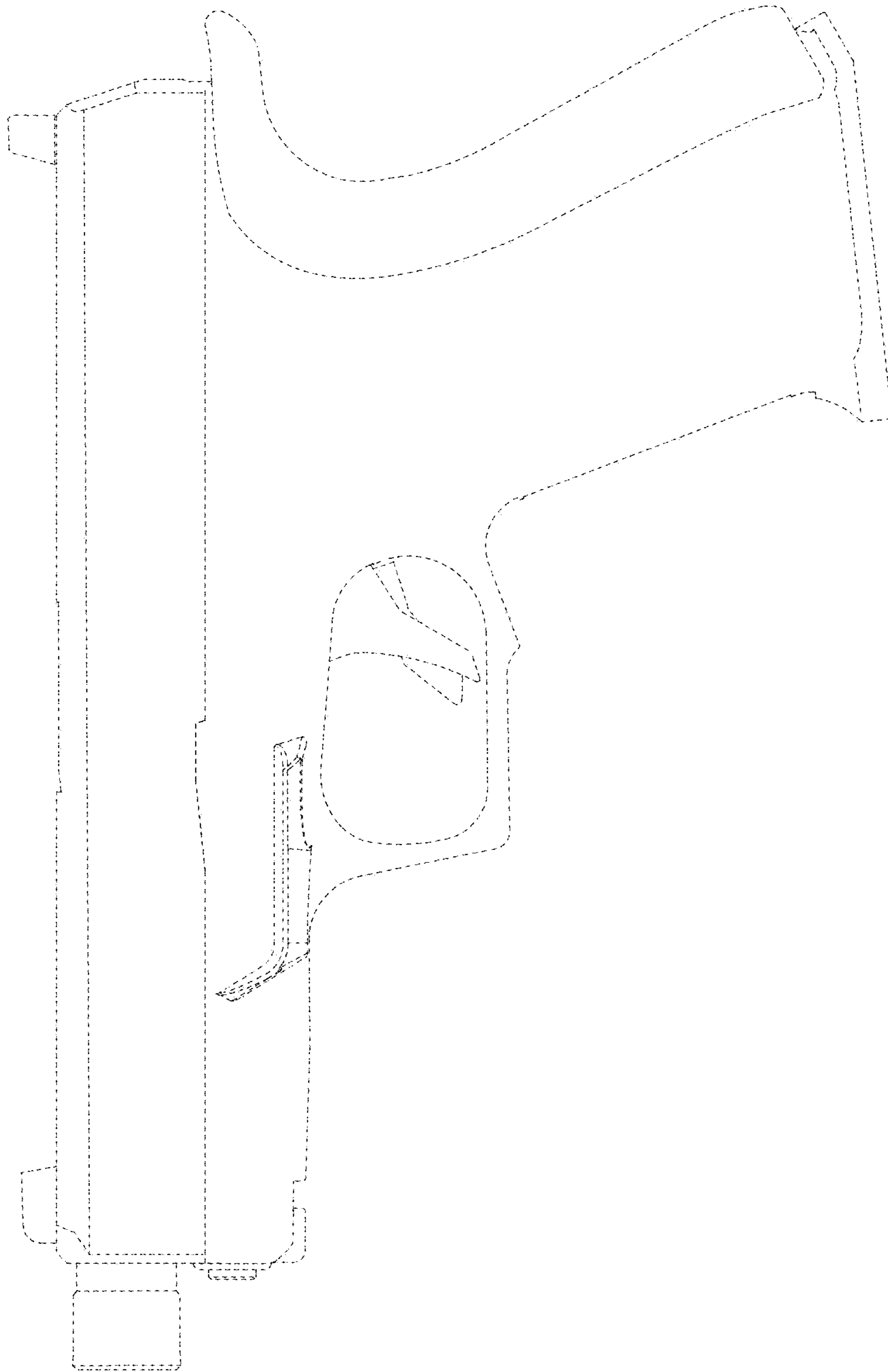


FIG. 8

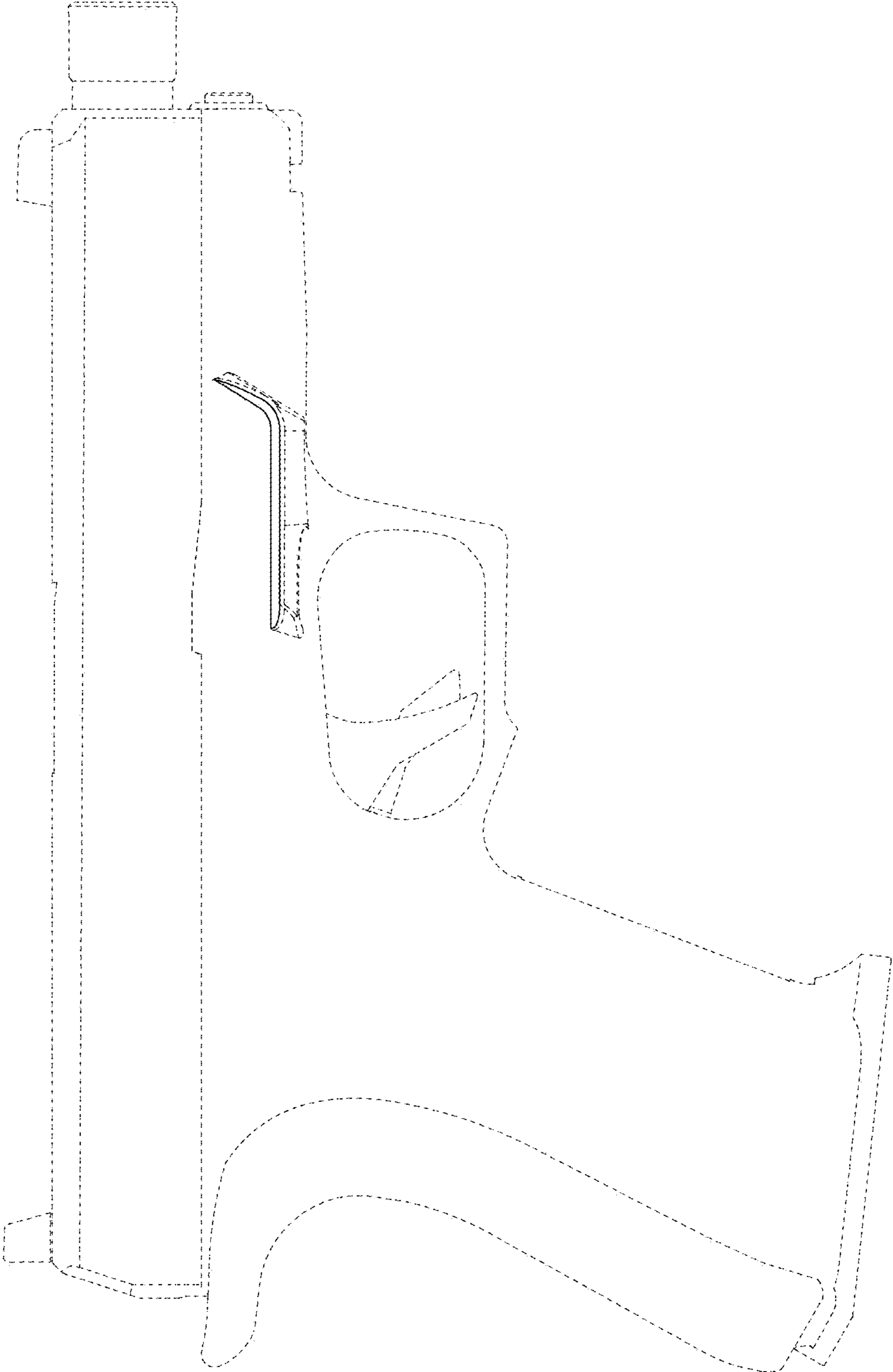


FIG. 9

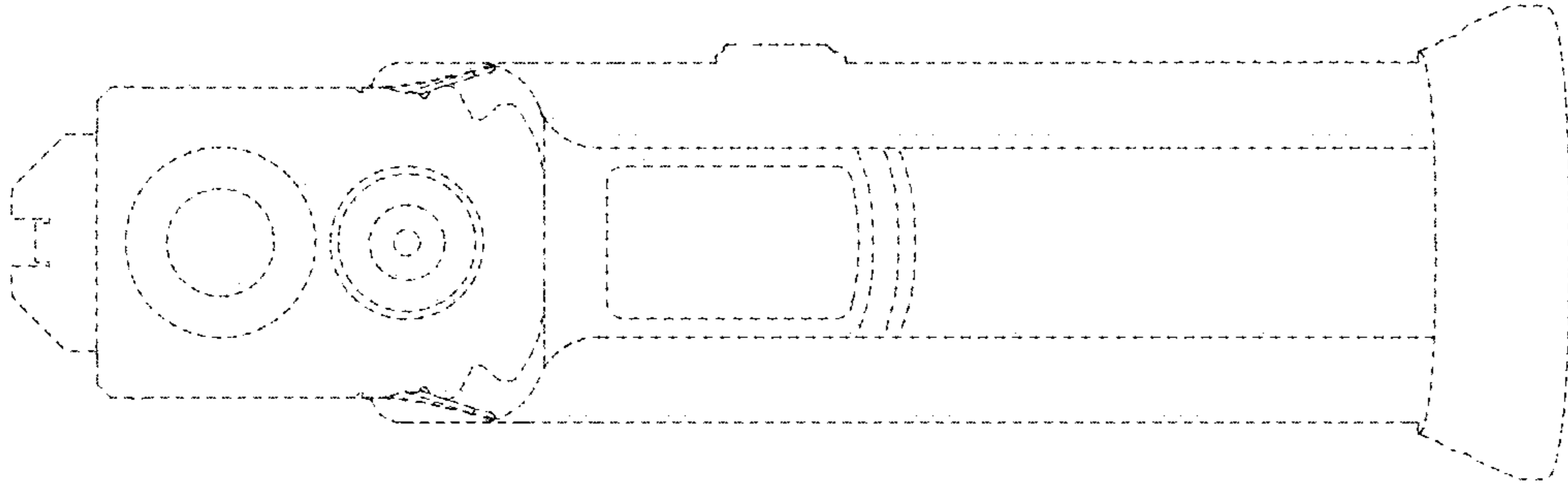


FIG. 10

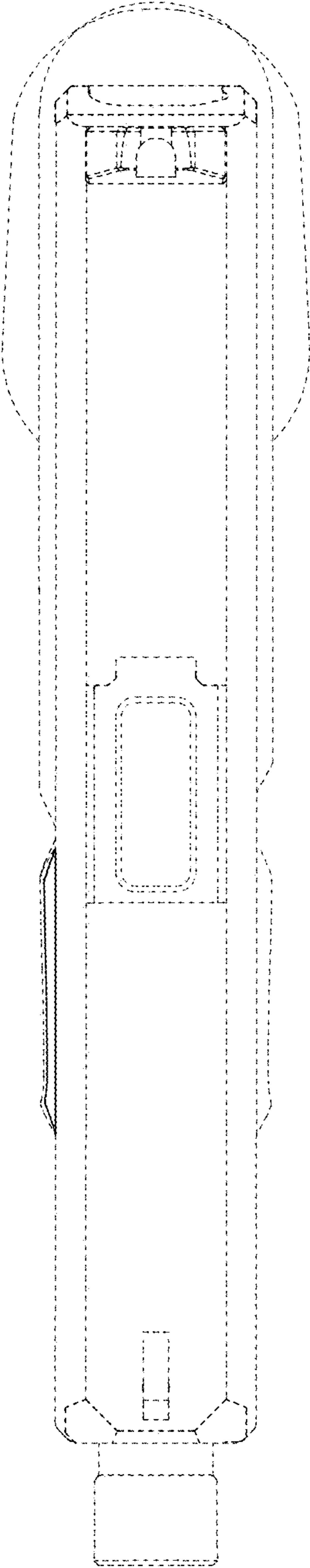


FIG. 11

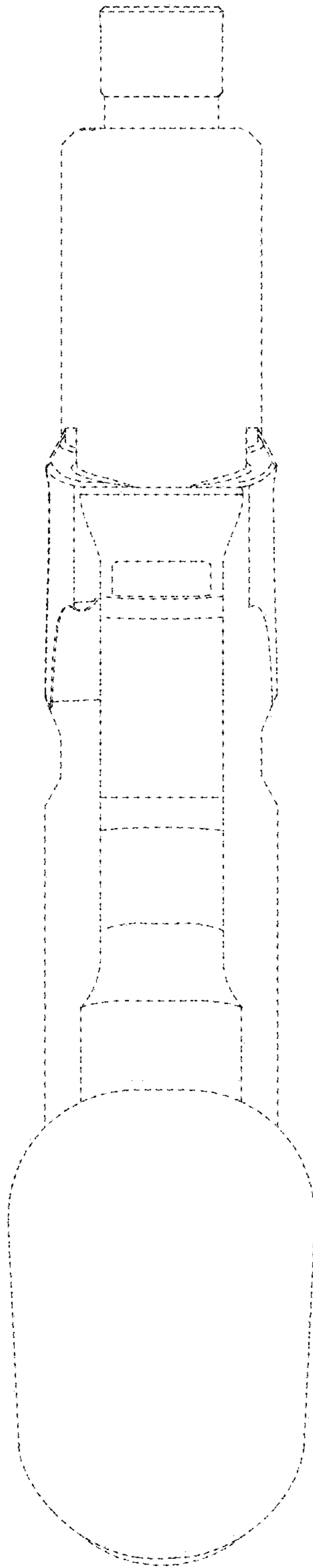


FIG. 12