



US00D965726S

(12) **United States Design Patent**
Ribic et al.

(10) **Patent No.:** **US D965,726 S**
(45) **Date of Patent:** **** Oct. 4, 2022**

- (54) **SLIDE FOR A FIREARM**
- (71) Applicant: **Shadow Systems LLC**, Plano, TX (US)
- (72) Inventors: **Anthony Joseph Ribic**, Richardson, TX (US); **Richard Trevor Simpson Roe**, Plano, TX (US); **Richard Pederson**, Plano, TX (US)
- (73) Assignee: **Shadow Systems LLC**, Plano, TX (US)
- (**) Term: **15 Years**
- (21) Appl. No.: **29/728,523**
- (22) Filed: **Mar. 19, 2020**
- (51) **LOC (13) Cl.** **22-01**
- (52) **U.S. Cl.**
USPC **D22/108**
- (58) **Field of Classification Search**
USPC D22/103, 104, 105, 108; D21/573–575
CPC .. F41A 9/18; F41A 19/11; F41A 17/54; F41C 3/04; F41C 3/08; F41C 3/16; F41C 7/00; F41C 7/06
See application file for complete search history.

(56) **References Cited**

U.S. PATENT DOCUMENTS

D676,094 S *	2/2013	Hu	D22/108
D681,131 S *	4/2013	Su	D21/574
D690,374 S *	9/2013	Lee	D21/574
D758,519 S *	6/2016	Toner	D22/108
D777,871 S *	1/2017	Niswander	D22/108
D784,479 S *	4/2017	Niswander	D22/108
D800,243 S *	10/2017	Niswander	D22/108
D808,487 S *	1/2018	Beville	D22/104
D823,969 S *	7/2018	Beville	D22/104
D828,881 S *	9/2018	Lee	D21/574
D828,892 S *	9/2018	Kellgren	D22/104
D830,480 S *	10/2018	Chu	D21/574
D839,970 S *	2/2019	Chu	D21/574
D839,971 S *	2/2019	Chu	D21/574

D849,174 S *	5/2019	Beville	D22/104
D854,642 S *	7/2019	Shinkle	D22/104
D857,142 S *	8/2019	Beville	D22/104
D868,923 S *	12/2019	Toner	D22/104
10,724,814 B2 *	7/2020	Thomele	F41A 11/00
D894,310 S *	8/2020	Spine	D22/104

(Continued)

OTHER PUBLICATIONS

Castiglione, Alexander. "Shadow System Releases New Compact Multi-Role Pistol—The MR920" Posted: Jan. 20, 2020 [visited: Dec. 27, 2021] Recoil URL: <https://www.recoilweb.com/shadow-system-releases-new-compact-multi-role-pistol-the-mr920-156693.html> (Year: 2020).*

(Continued)

Primary Examiner — Michael A. Pratt

(74) *Attorney, Agent, or Firm* — Kim IP Law Group LLC

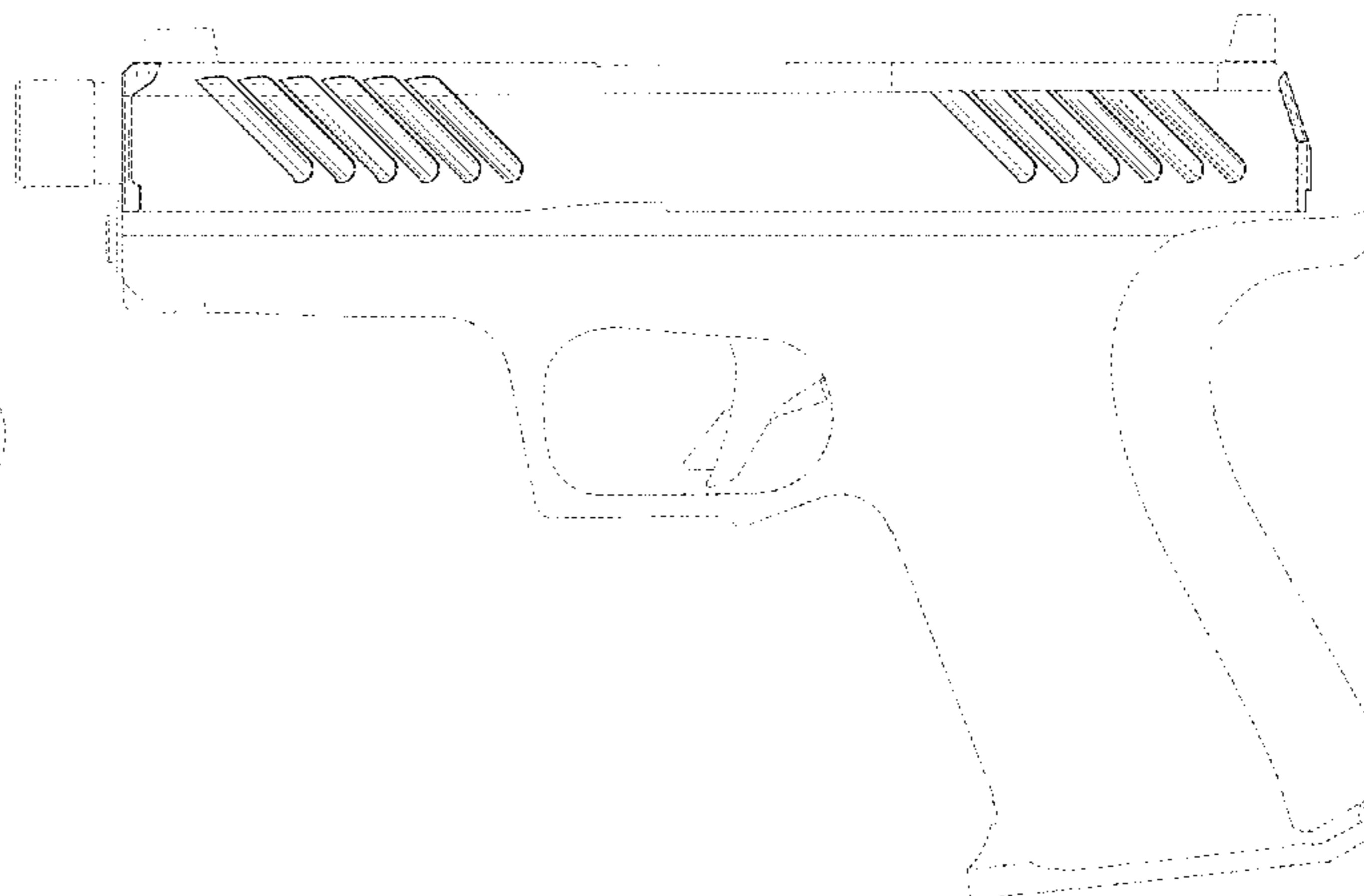
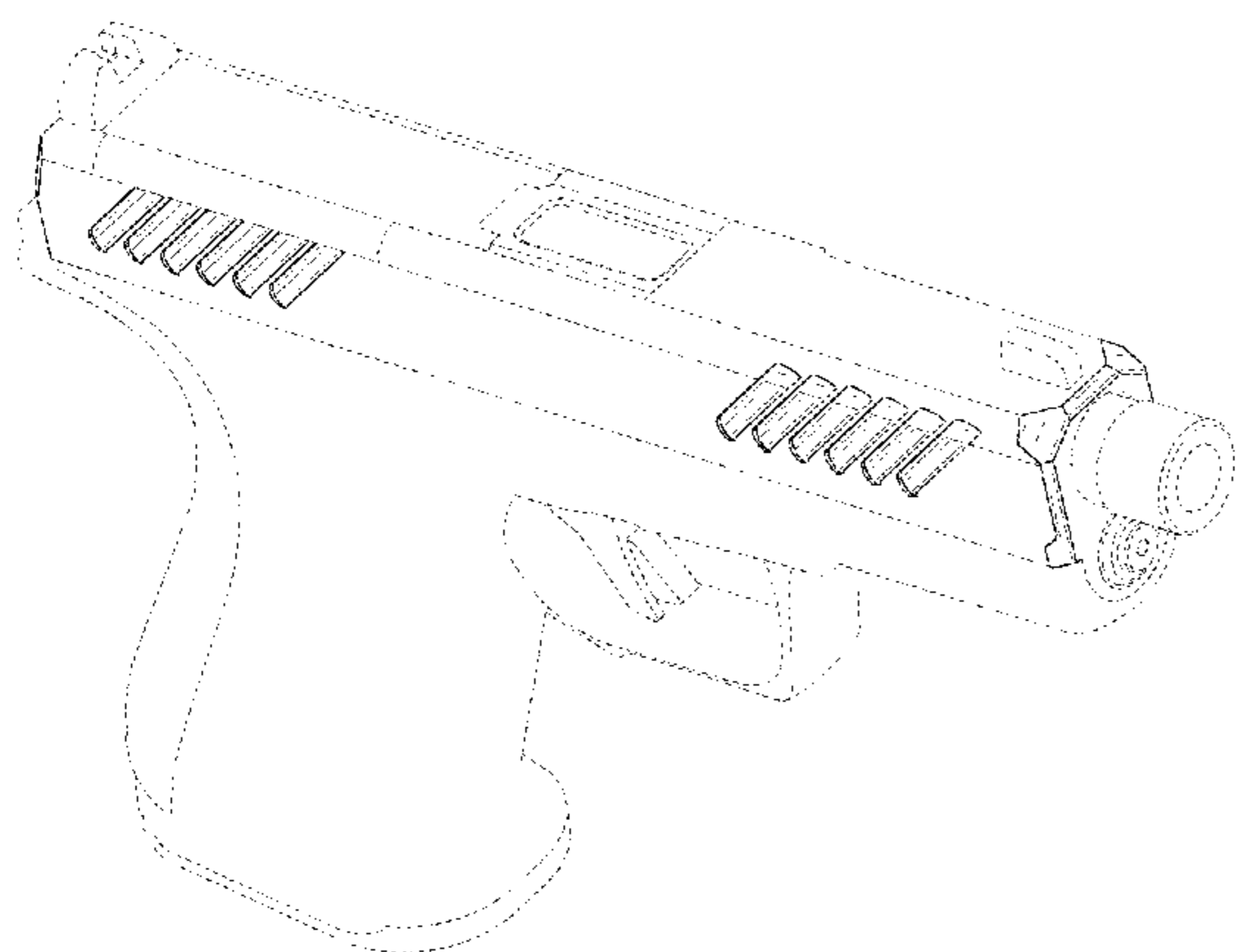
(57) **CLAIM**

The ornamental design for a slide for a firearm, as shown and described.

DESCRIPTION

FIG. 1 is a top perspective view of a slide for a firearm in accordance with the new design;
FIG. 2 is a left-side view of the slide for a firearm of FIG. 1;
FIG. 3 is a right-side view of the slide for a firearm of FIG. 1;
FIG. 4 is a front view of the slide for a firearm of FIG. 1;
FIG. 5 is a rear view of the slide for a firearm of FIG. 1; and,
FIG. 6 is a top view of the slide for a firearm of FIG. 1.
The even length broken lines in the figures are directed to portions of a firearm that form no part of the claim. The dot-dashed lines show unclaimed boundaries of the slide for a firearm and form no part of the claim. The shaded surfaces in the figures form part of the claim.

1 Claim, 6 Drawing Sheets



(56)

References Cited

U.S. PATENT DOCUMENTS

D903,807 S * 12/2020 Delgado Acarreta D22/108
D910,796 S * 2/2021 Jen D22/108
11,067,348 B1 * 7/2021 Ribic F41G 1/30
D933,772 S * 10/2021 Sroufe D22/104
2014/0165442 A1 * 6/2014 Nebeker F41A 3/64
42/16
2021/0293500 A1 * 9/2021 Ribic F41G 1/30

OTHER PUBLICATIONS

Cox, Matthew. "A Truly Shootable Tactical Pistol: Shadow Systems Shows Off Its New Take." Posted: Jan. 22, 2020 [visited: Dec. 27, 2021] Military.com URL: <https://www.military.com/daily-news/2020/01/22/truly-shootable-tactical-pistol-shadow-systems-shows-its-new-take.html> (Year: 2020).*

Billings, Jacki. "Shadow Systems Releases New MR920 Pistol" Posted: Jan. 28, 2020 [visited: Dec. 20, 2021] Guns URL: <https://www.guns.com/news/2020/01/28/shadow-systems-releases-new-mr920-pistol> (Year: 2020).*

GLD1980. "Shadow Systems MR920" Posted: Feb. 12, 2020 [visited: Dec. 27, 2021] Glock Talk URL: <https://www.glocktalk.com/threads/shadow-systems-mr920.1810698/> (Year: 2020).*

* cited by examiner

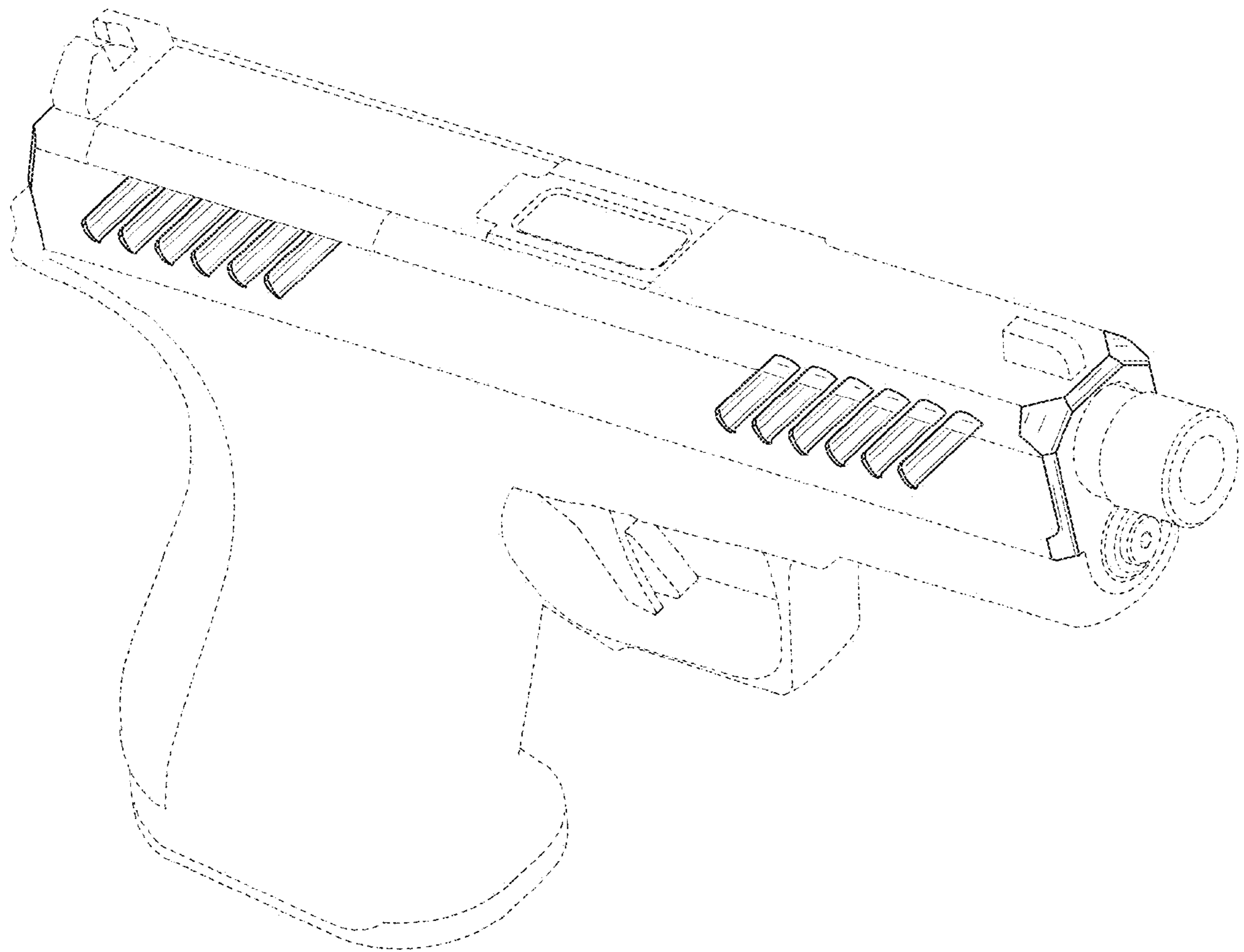


FIG. 1

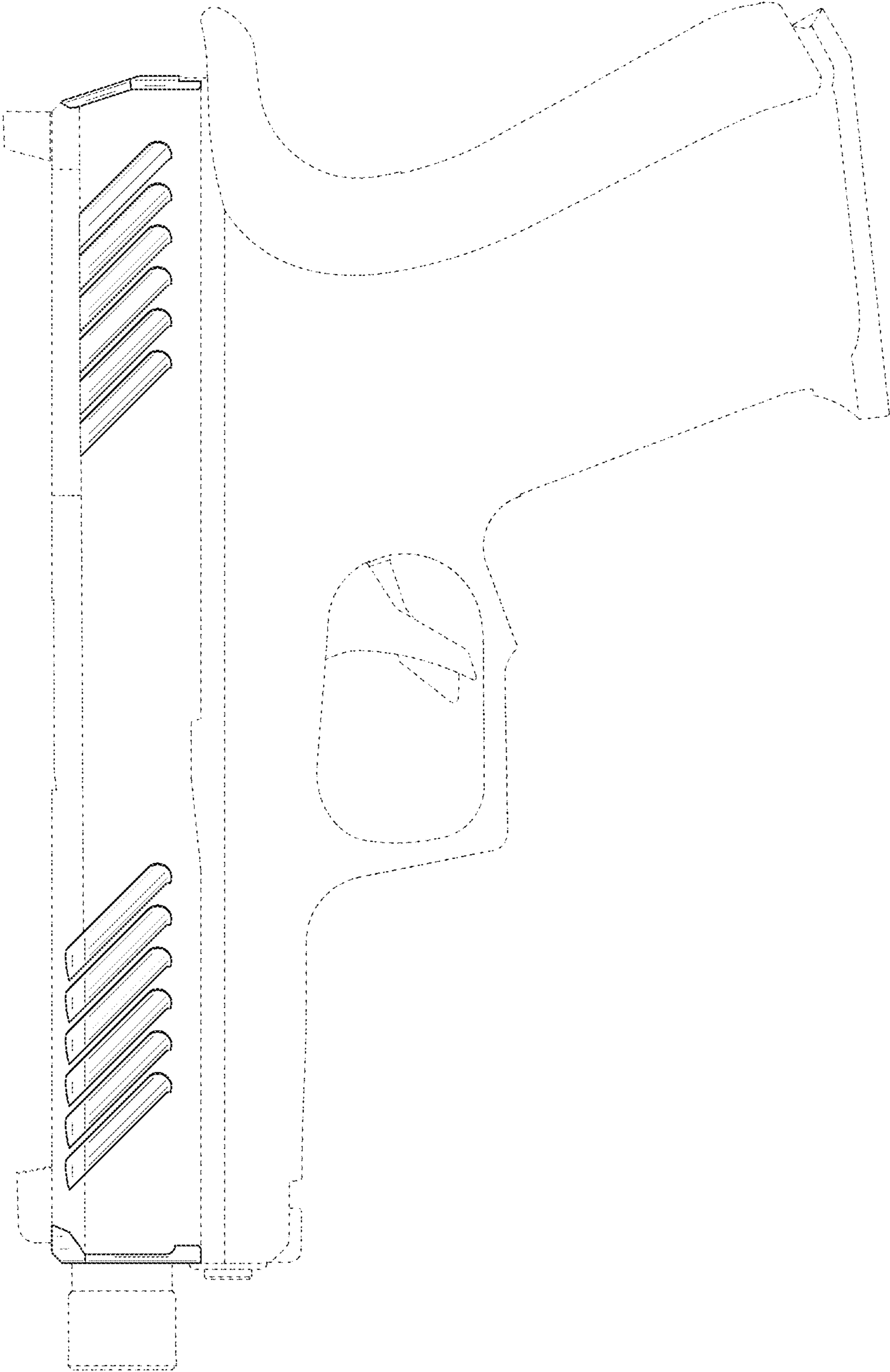


FIG. 2

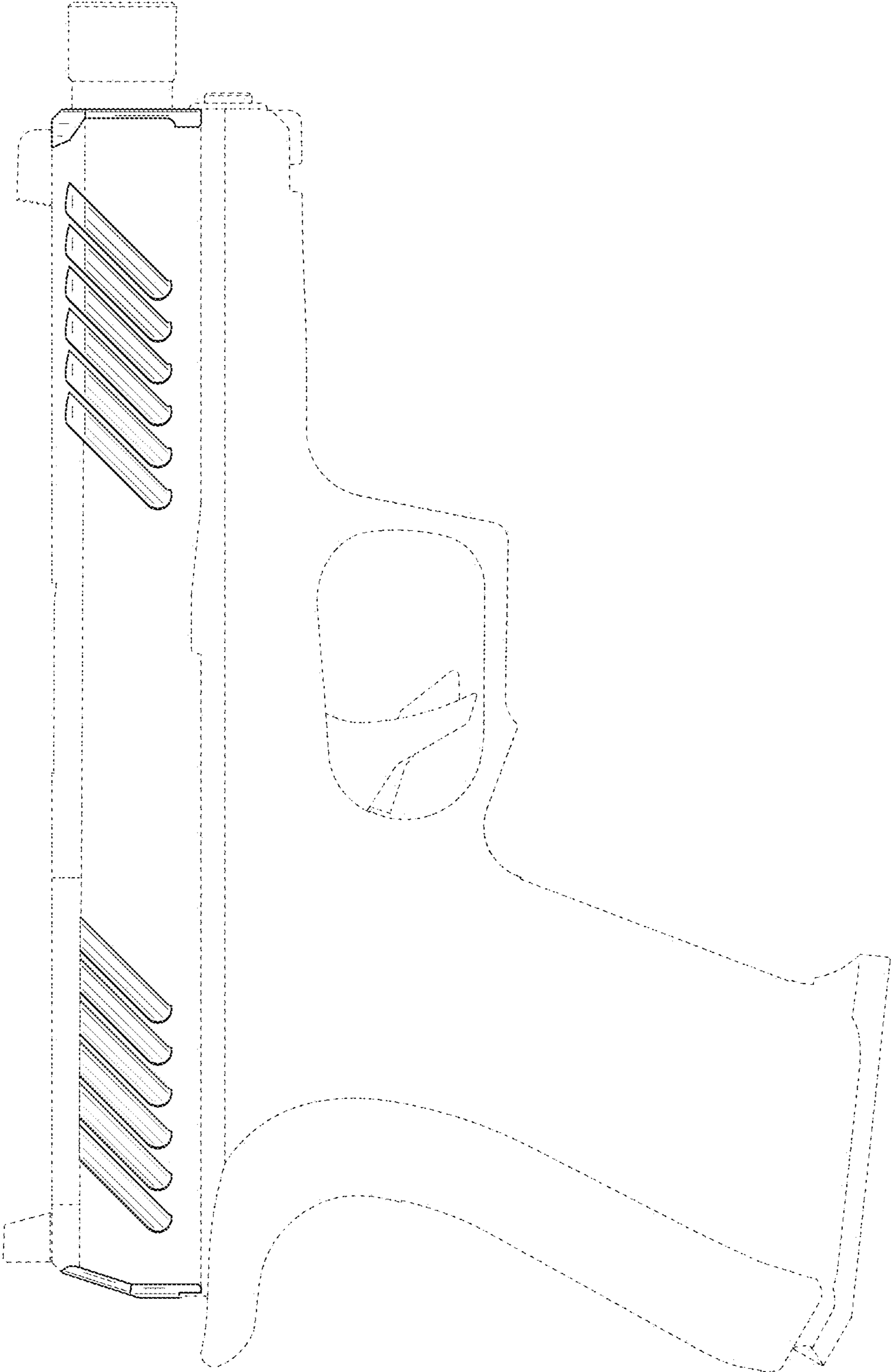


FIG. 3

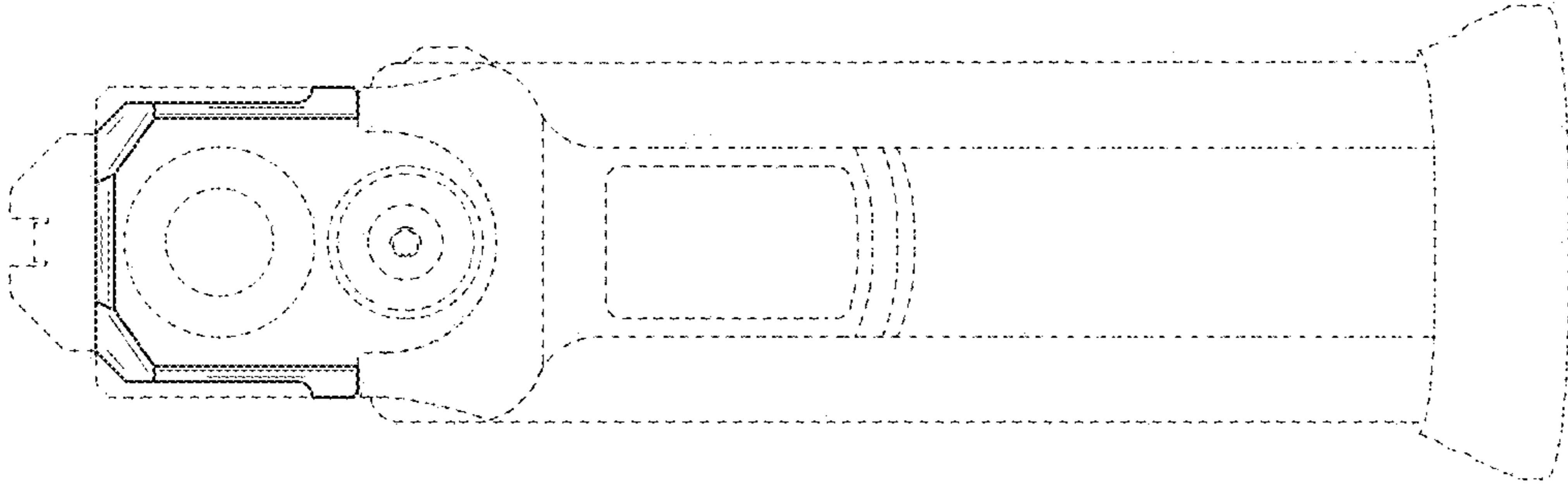


FIG. 4



FIG. 5

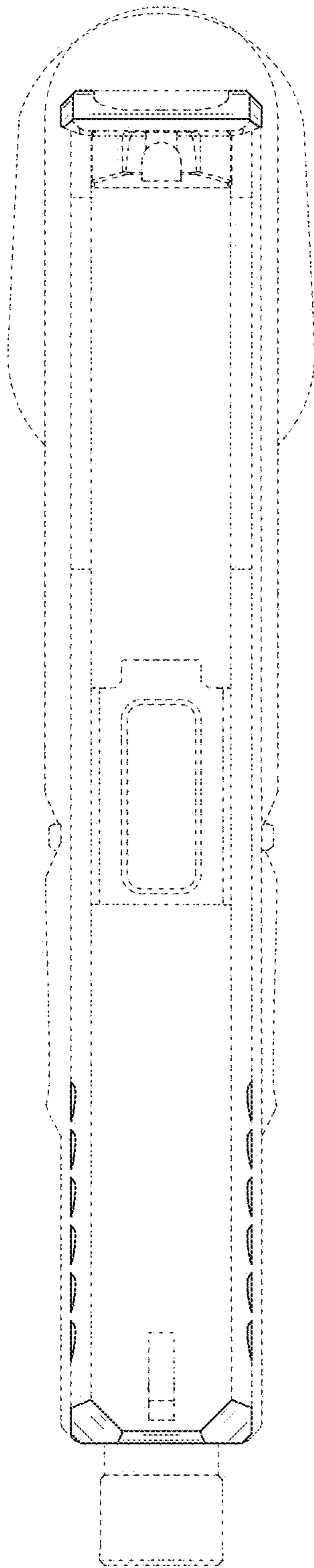


FIG. 6