

US00D965725S

(12) **United States Design Patent** (10) **Patent No.:** **US D965,725 S**
Roe (45) **Date of Patent:** **** Oct. 4, 2022**

(54) **SLIDE RELEASE CURTAIN FOR A FIREARM**

(71) Applicant: **Shadow Systems LLC**, Plano, TX (US)

(72) Inventor: **Richard Trevor Simpson Roe**, Plano, TX (US)

(73) Assignee: **Shadow Systems LLC**, Plano, TX (US)

(**) Term: **15 Years**

(21) Appl. No.: **29/725,572**

(22) Filed: **Feb. 26, 2020**

(51) **LOC (13) Cl.** **22-01**

(52) **U.S. Cl.**
USPC **D22/108**

(58) **Field of Classification Search**
USPC D22/103, 104, 105, 108; D21/573–575
CPC .. F41A 9/18; F41A 19/11; F41A 17/54; F41C 3/04; F41C 3/08; F41C 3/16; F41C 7/00; F41C 7/06
See application file for complete search history.

(56) **References Cited**

U.S. PATENT DOCUMENTS

D503,207 S *	3/2005	Salva	D22/104
D591,382 S *	4/2009	Brittingham	D22/108
D681,131 S *	4/2013	Su	D21/574
D755,326 S *	5/2016	Siddle	D22/108
D755,907 S *	5/2016	Hu	D21/574
D767,075 S *	9/2016	Grossman	D22/108
D803,341 S *	11/2017	Wolf	D22/108
D808,487 S *	1/2018	Beville	D22/104
D828,881 S *	9/2018	Lee	D21/574

(Continued)

OTHER PUBLICATIONS

Castiglione, Alexander. "Shadow System Releases New Compact Multi-Role Pistol—The MR920" Posted: Jan. 20, 2020 [visited:

Dec. 27, 2021] Recoil URL: <https://www.recoilweb.com/shadow-system-releases-new-compact-multi-role-pistol-the-mr920-156693.html> (Year: 2020).*

(Continued)

Primary Examiner — Michael A. Pratt

(74) *Attorney, Agent, or Firm* — Kim IP Law Group LLC

(57) **CLAIM**

The ornamental design for a slide release curtain for a firearm, as shown and described.

DESCRIPTION

FIG. 1 is a side perspective view of a slide release curtain for a firearm in accordance with the new design;

FIG. 2 is a left-side view of the slide release curtain for a firearm of FIG. 1;

FIG. 3 is a front view of the slide release curtain for a firearm of FIG. 1;

FIG. 4 is a rear view of the slide release curtain for a firearm of FIG. 1;

FIG. 5 is a top view of the slide release curtain for a firearm of FIGS. 1; and

FIG. 6 is a bottom view of the slide release curtain for a firearm of FIG. 1.

FIG. 7 is an enlarged side view of the slide release curtain for a firearm of FIG. 2.

FIG. 8 is an enlarged view thereof shown in an alternate environment of use.

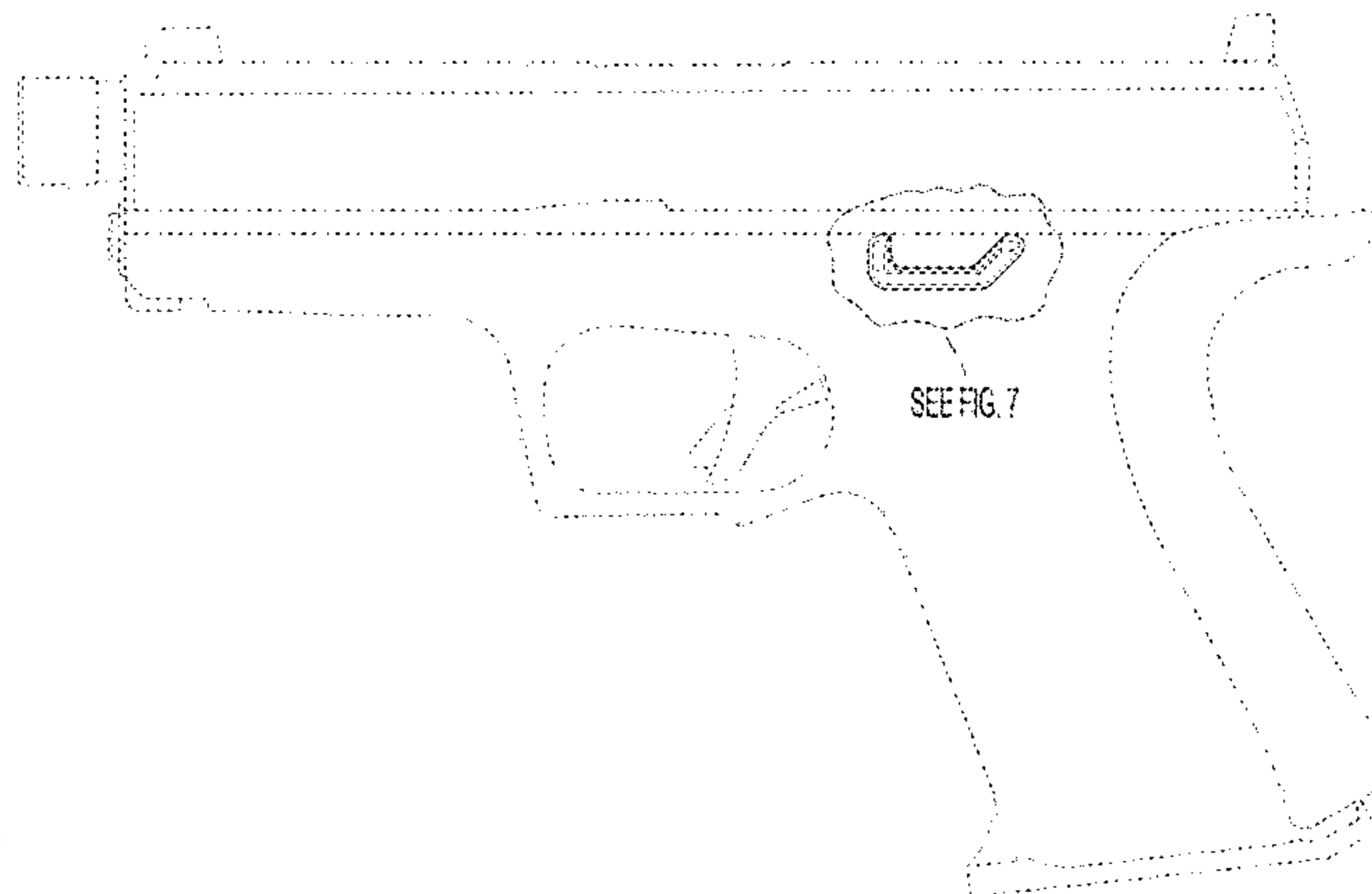
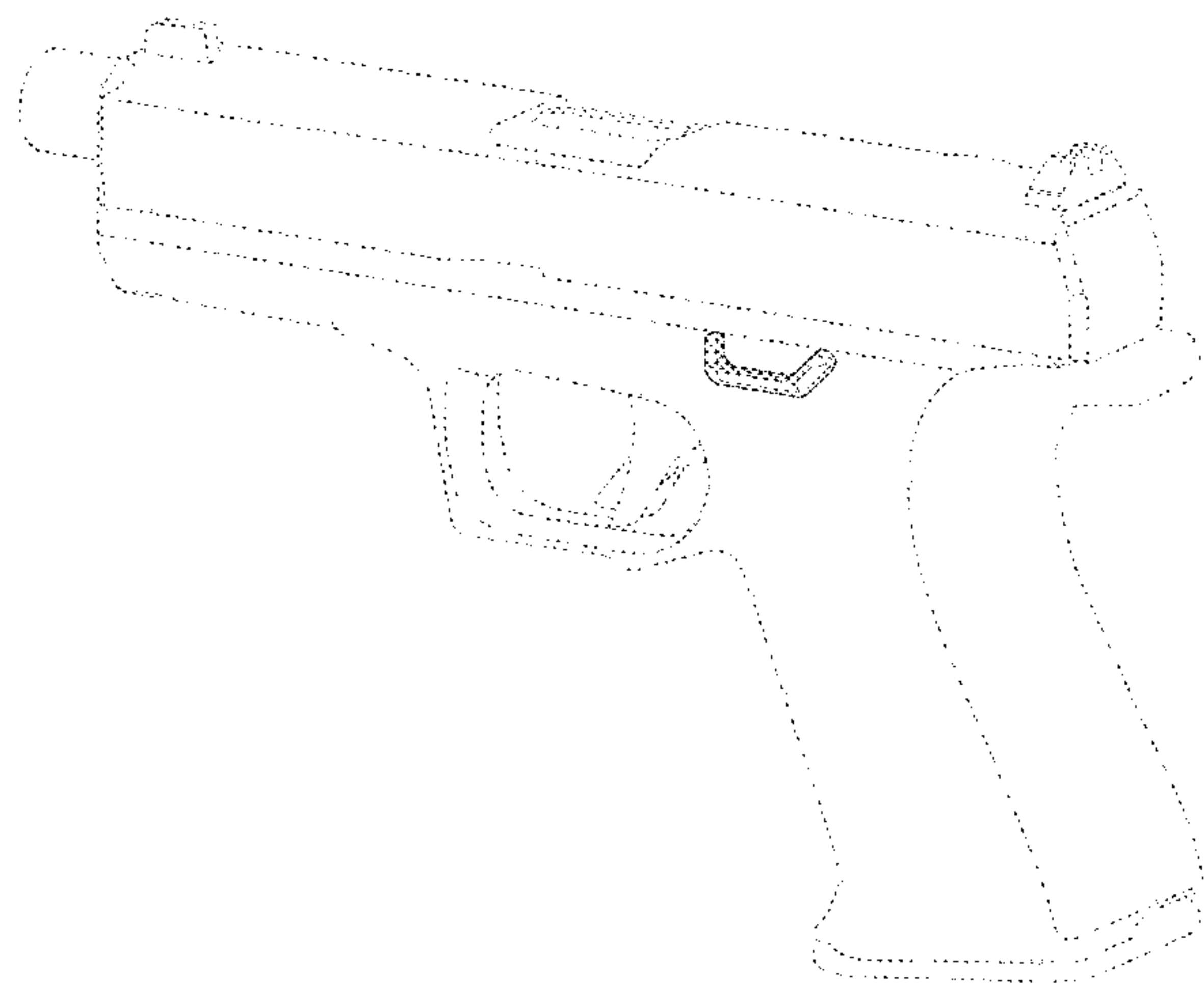
FIG. 9 is another enlarged view thereof shown in an alternate environment of use.

FIG. 10 is another enlarged view thereof shown in an alternate environment of use; and,

FIG. 11 is another enlarged view thereof shown in an alternate environment of use.

The evenly spaced broken lines in the figures illustrate environment that forms no part of the claimed design. The dash-dot broken lines of FIGS. 2 and 7-11 are for illustrating the enlarged portion views only and form no part thereof.

1 Claim, 11 Drawing Sheets



(56)

References Cited

U.S. PATENT DOCUMENTS

D828,892 S * 9/2018 Kellgren D22/104
 D830,480 S * 10/2018 Chu D21/574
 D868,923 S * 12/2019 Toner D22/104
 10,724,814 B2 * 7/2020 Thomele F41A 11/00
 D903,807 S * 12/2020 Delgado Acarreta D22/108
 D911,481 S * 2/2021 Troy F41A 19/46
 D22/108
 2014/0165442 A1 * 6/2014 Nebeker F41A 3/64
 42/16
 2018/0112944 A1 * 4/2018 Underwood F41A 17/56

OTHER PUBLICATIONS

Cox, Matthew. "A Truly Shootable Tactical Pistol: Shadow Systems Shows Off Its New Take." Posted: Jan. 22, 2020 [visited: Dec. 27, 2021] Military.com URL: <https://www.military.com/daily-news/2020/01/22/truly-shootable-tactical-pistol-shadow-systems-shows-its-new-take.html> (Year: 2020).*

Billings, Jacki. "Shadow Systems Releases New MR920 Pistol" Posted: Jan. 28, 2020 [visited: Dec. 20, 2021] Guns URL: <https://www.guns.com/news/2020/01/28/shadow-systems-releases-new-mr920-pistol> (Year: 2020).*

GLD1980. "Shadow Systems MR920" Posted: Feb. 12, 2020 [visited: Dec. 27, 2021] Glock Talk URL: <https://www.glocktalk.com/threads/shadow-systems-mr920.1810698/> (Year: 2020).*

* cited by examiner



FIG. 1

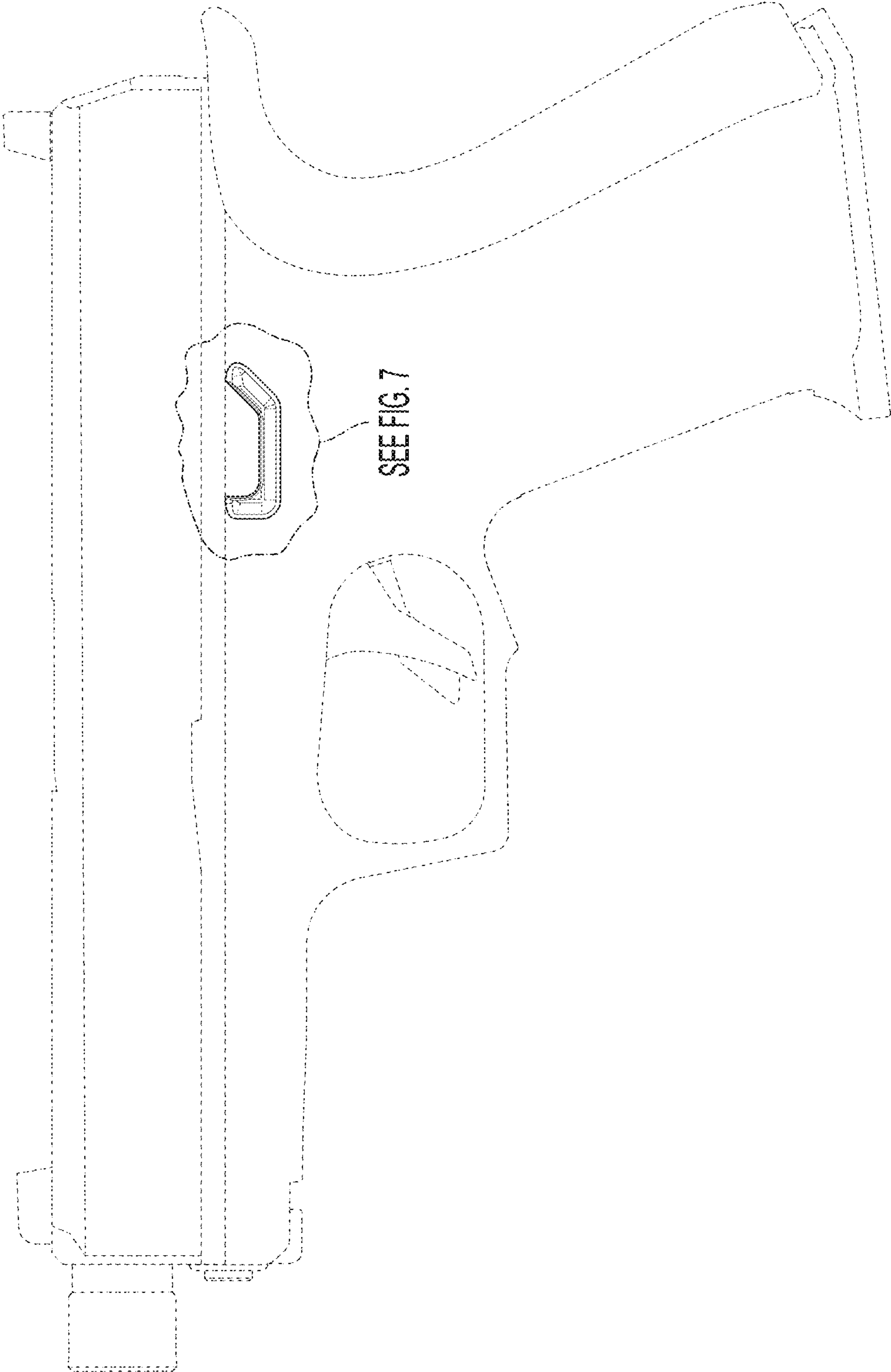


FIG. 2

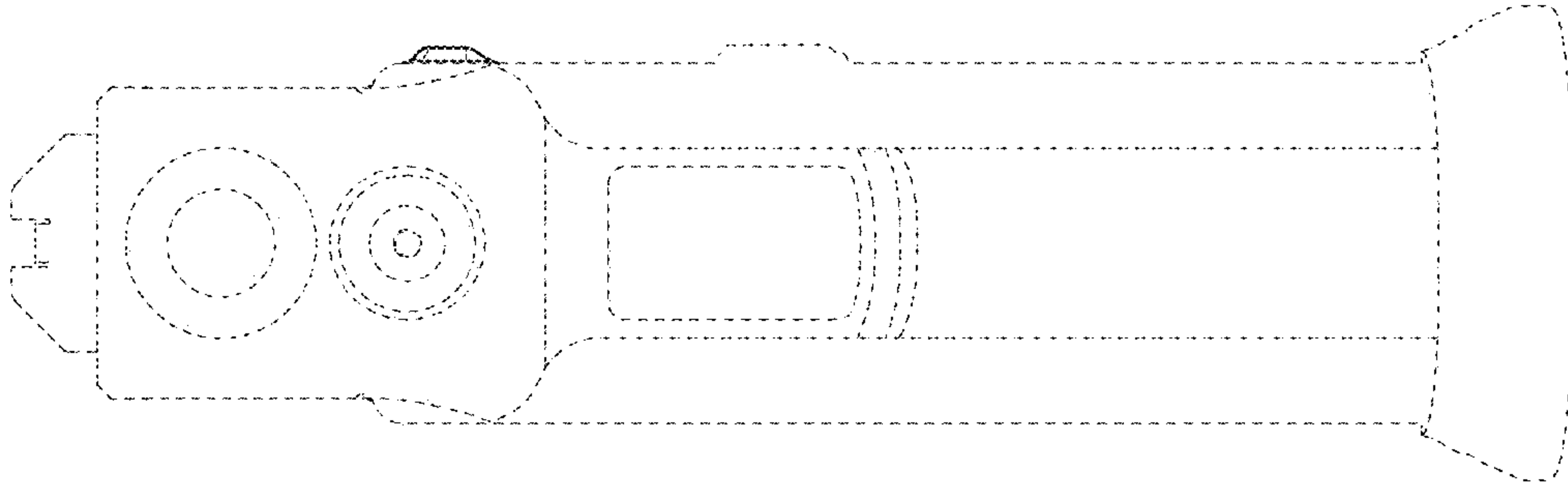


FIG. 3

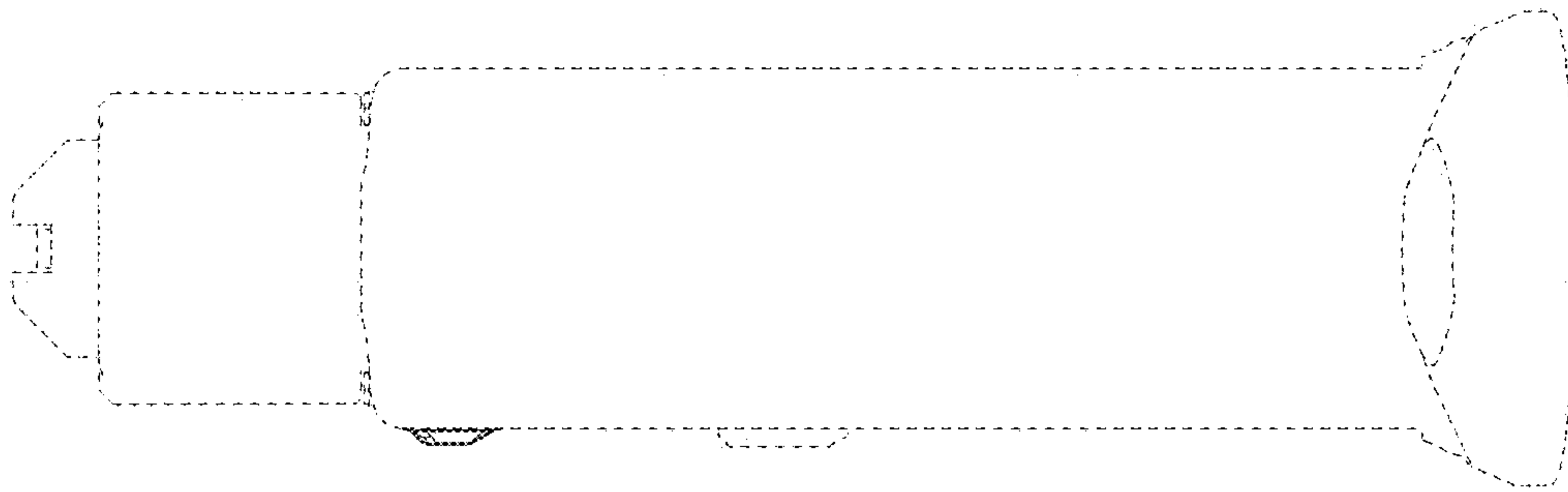


FIG. 4

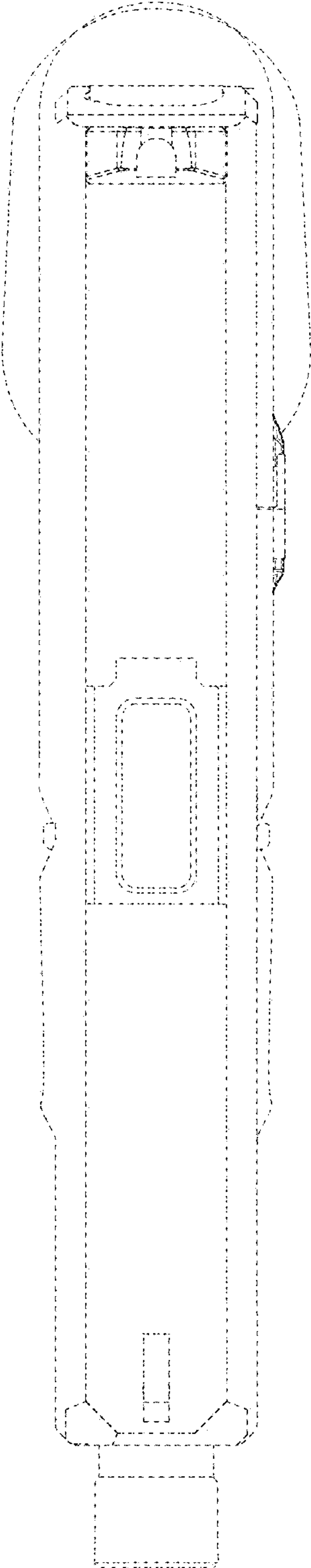


FIG. 5

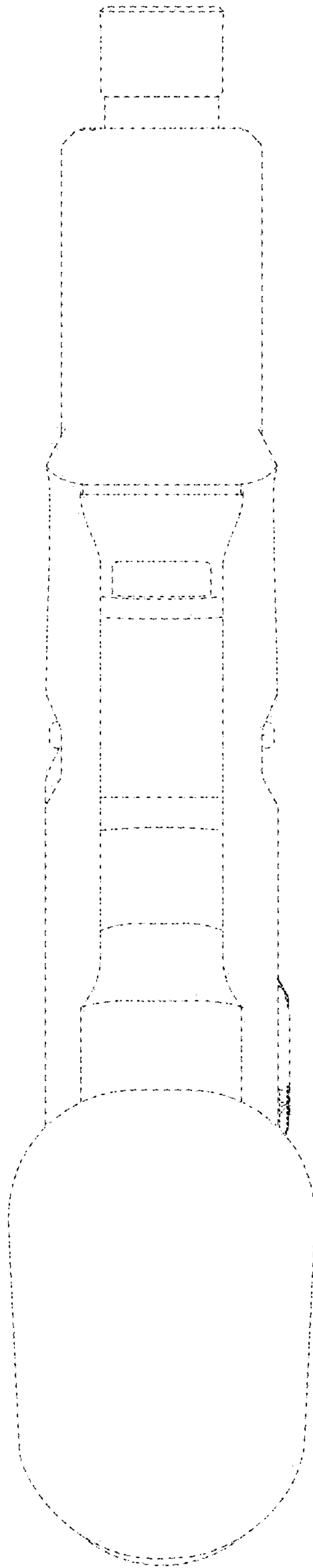


FIG. 6

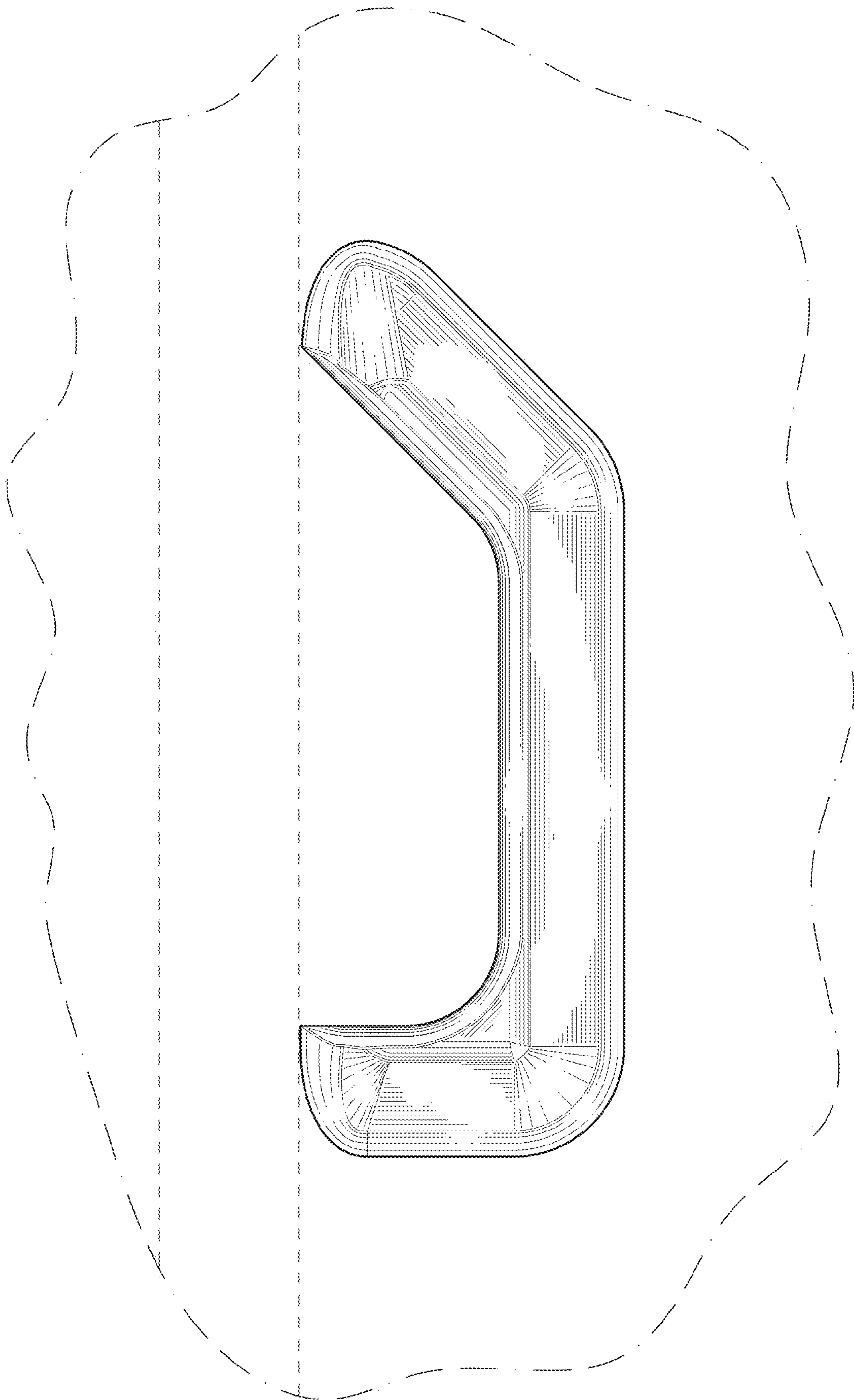


FIG. 7

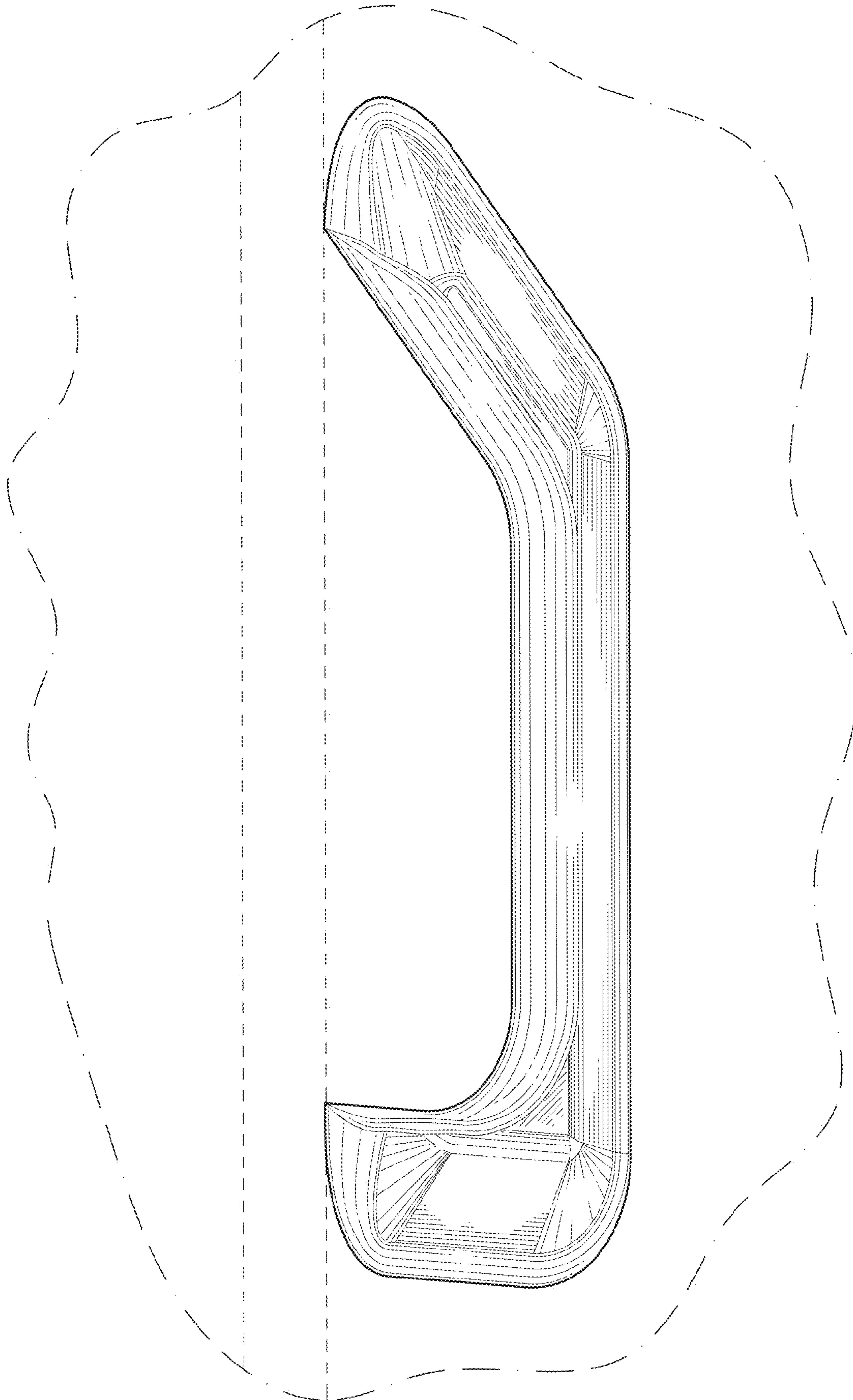


FIG. 8

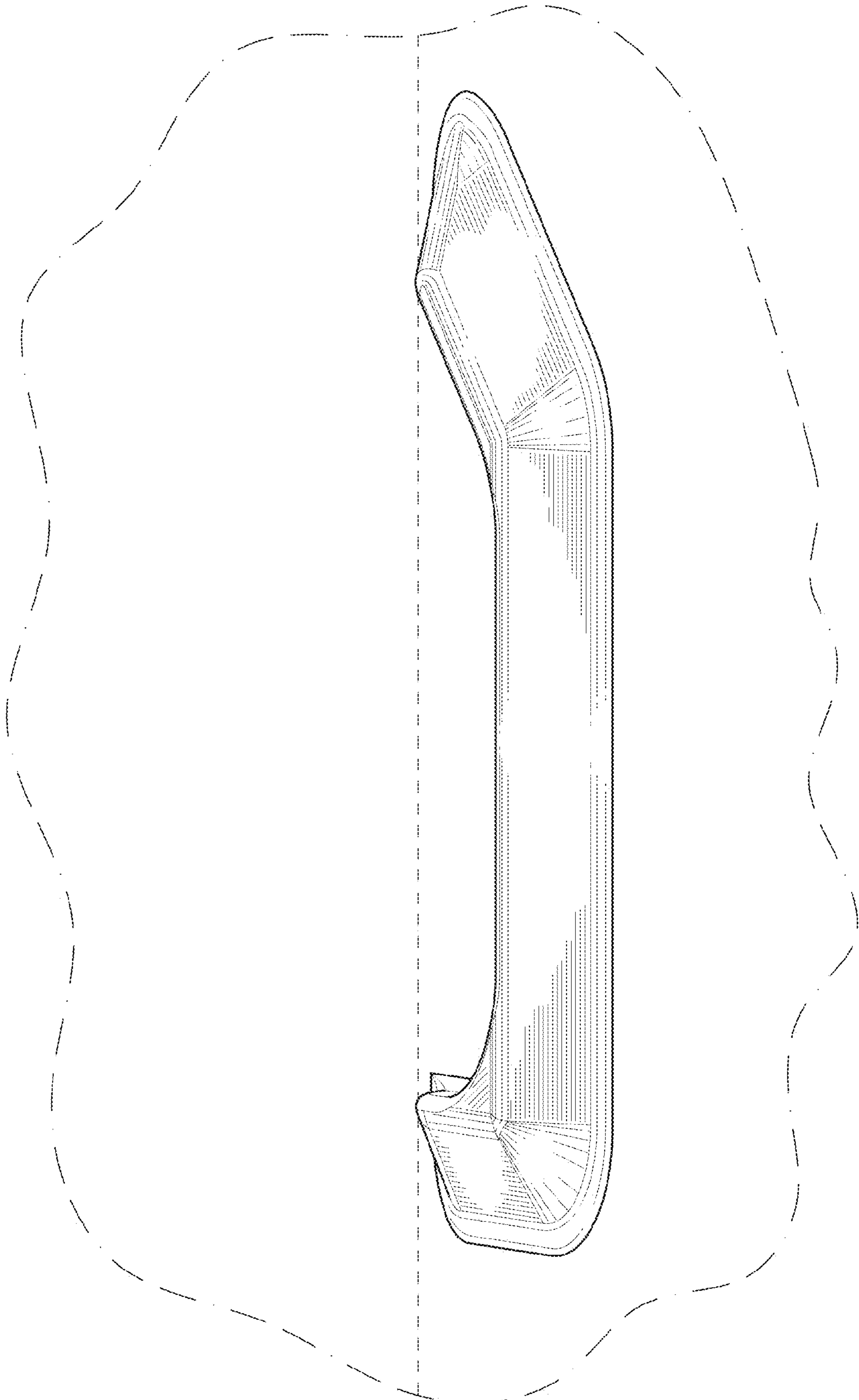


FIG. 9

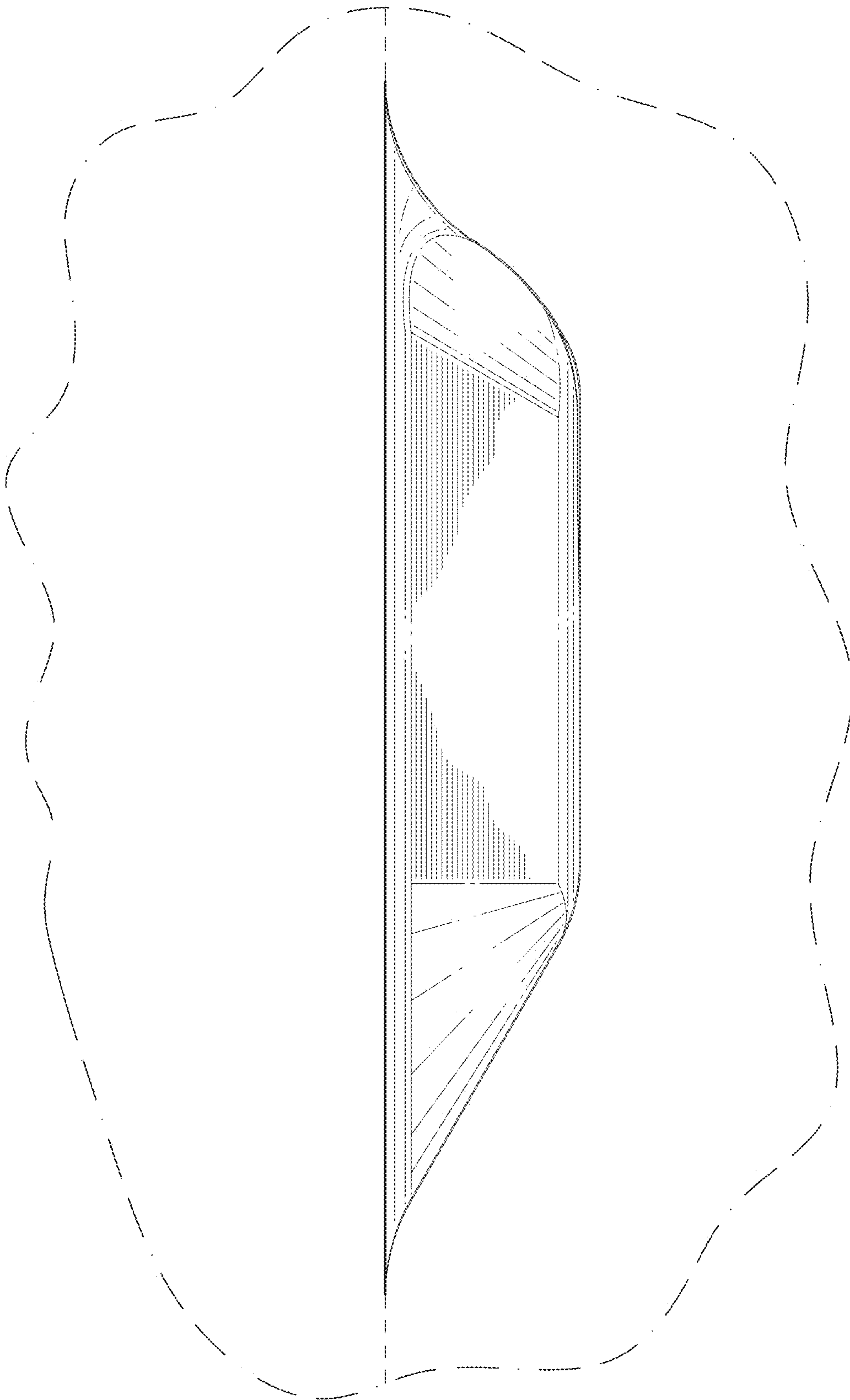


FIG. 10

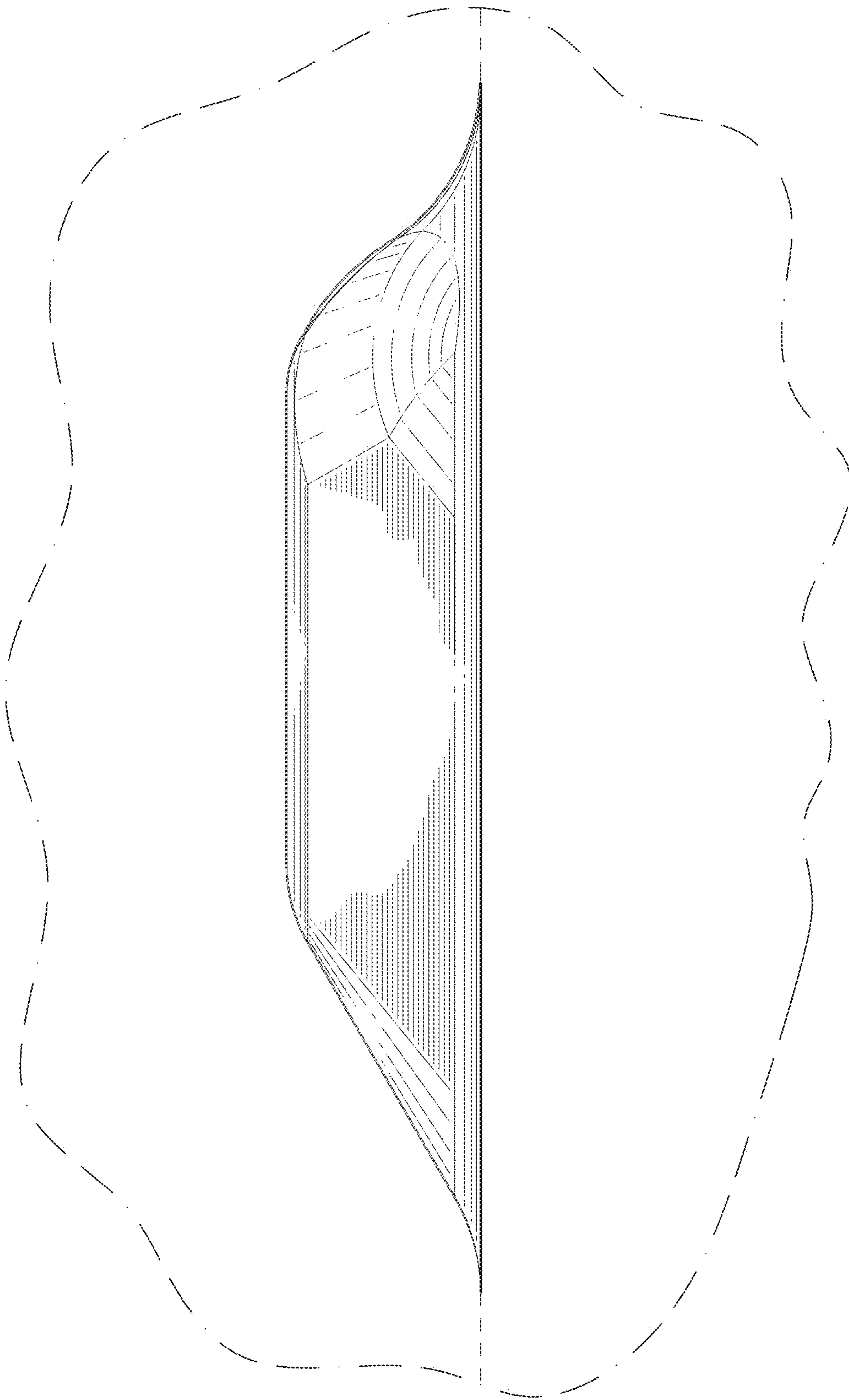


FIG. 11