



US00D965723S

(12) **United States Design Patent**
Wen

(10) **Patent No.:** **US D965,723 S**

(45) **Date of Patent:** **** Oct. 4, 2022**

(54) **INFLATABLE POOL TOY**

(71) Applicant: **Yajie Wen**, Shenzhen (CN)

(72) Inventor: **Yajie Wen**, Shenzhen (CN)

(**) Term: **15 Years**

(21) Appl. No.: **29/842,363**

(22) Filed: **Jun. 13, 2022**

(51) **LOC (13) Cl.** **21-01**

(52) **U.S. Cl.**
USPC **D21/808**; D21/803

(58) **Field of Classification Search**
USPC D6/597-599, 601; D21/597, 803,
D21/805-806, 808, 809
CPC A63H 3/06; A63H 3/26
See application file for complete search history.

(56) **References Cited**

U.S. PATENT DOCUMENTS

D489,426 S *	5/2004	Oakley	D21/803
7,284,732 B1 *	10/2007	Lopa	B65F 1/1415 248/101
D650,543 S *	12/2011	Smart	D34/6
D785,119 S	4/2017	Hempton		
D786,593 S *	5/2017	Almaghlouth	D6/692.4
D858,674 S *	9/2019	Shu	D21/808
D868,344 S *	11/2019	Sonneman	D26/118
D871,533 S *	12/2019	Sideris	D21/801
D872,204 S *	1/2020	Sideris	D21/801
D882,201 S *	4/2020	Low	D34/6
D901,240 S *	11/2020	Armistead	D23/209
D953,459 S *	5/2022	Huang	D21/781
D953,460 S *	5/2022	Huang	D21/781
D959,555 S *	8/2022	Wen	D21/808
2003/0064861 A1 *	4/2003	Chen	A63B 5/11 482/27
2004/0102260 A1 *	5/2004	Chia	A63B 63/083 273/350

2005/0197197 A1 *	9/2005	Scott	A63B 63/08 473/173
2007/0111860 A1 *	5/2007	Publicover	E04H 4/0025 482/29
2021/0260455 A1 *	8/2021	Samp	A63B 63/08

OTHER PUBLICATIONS

“2-in-1 Pool Toys Games Set, Pool Basketball Hoop & Ring Toss Game” Jun. 23, 2022, site visited Aug. 11, 2022, Amazon.com: [https://www.amazon.com/Basketball-Inflatable-Floats-Adults-Family/dp/B0B4VPFBH5\(Year: 2022\).](https://www.amazon.com/Basketball-Inflatable-Floats-Adults-Family/dp/B0B4VPFBH5(Year: 2022).)*

* cited by examiner

Primary Examiner — Michael C Stout

Assistant Examiner — Melvin L Davis

(74) *Attorney, Agent, or Firm* — Georgi Korobanov

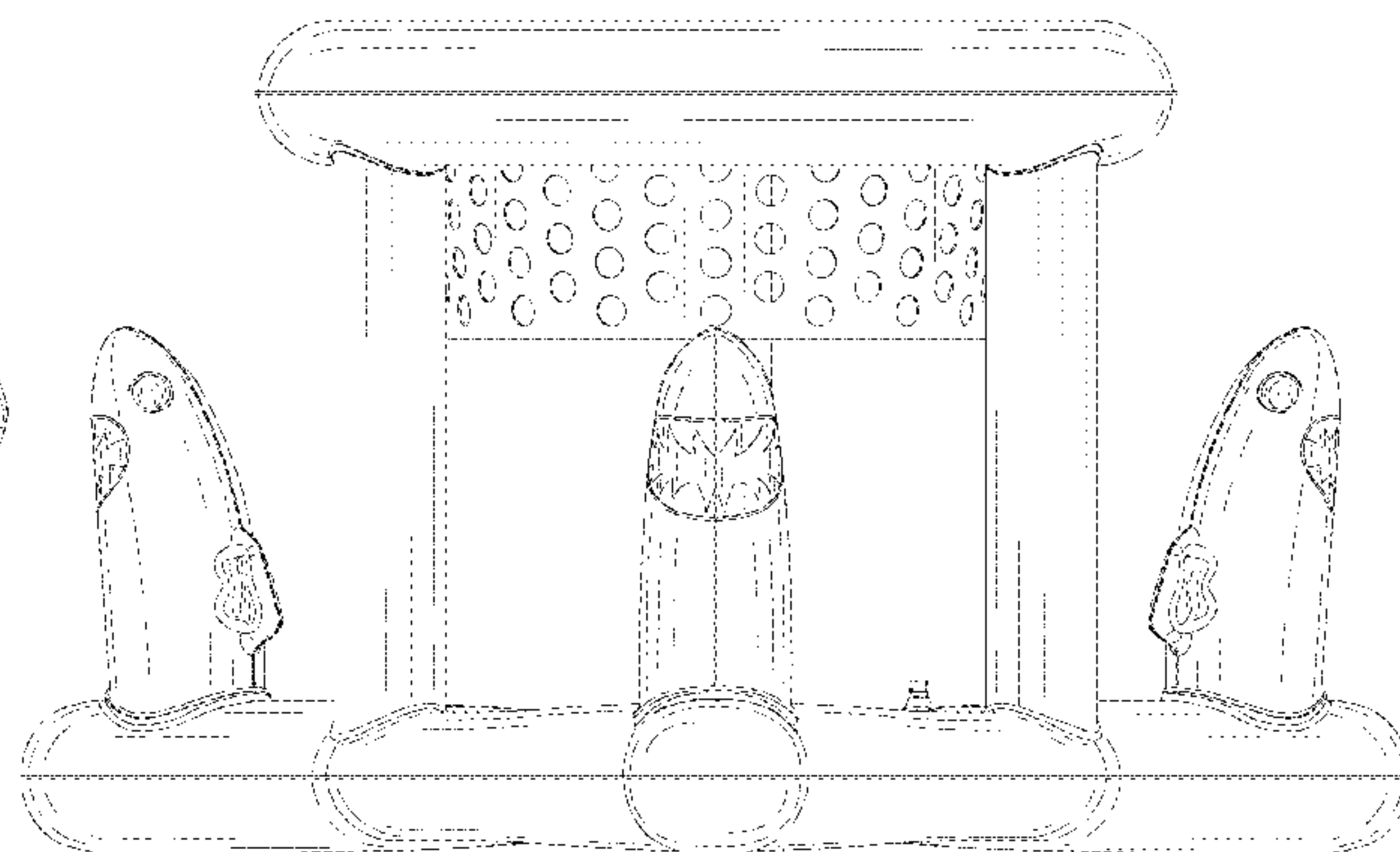
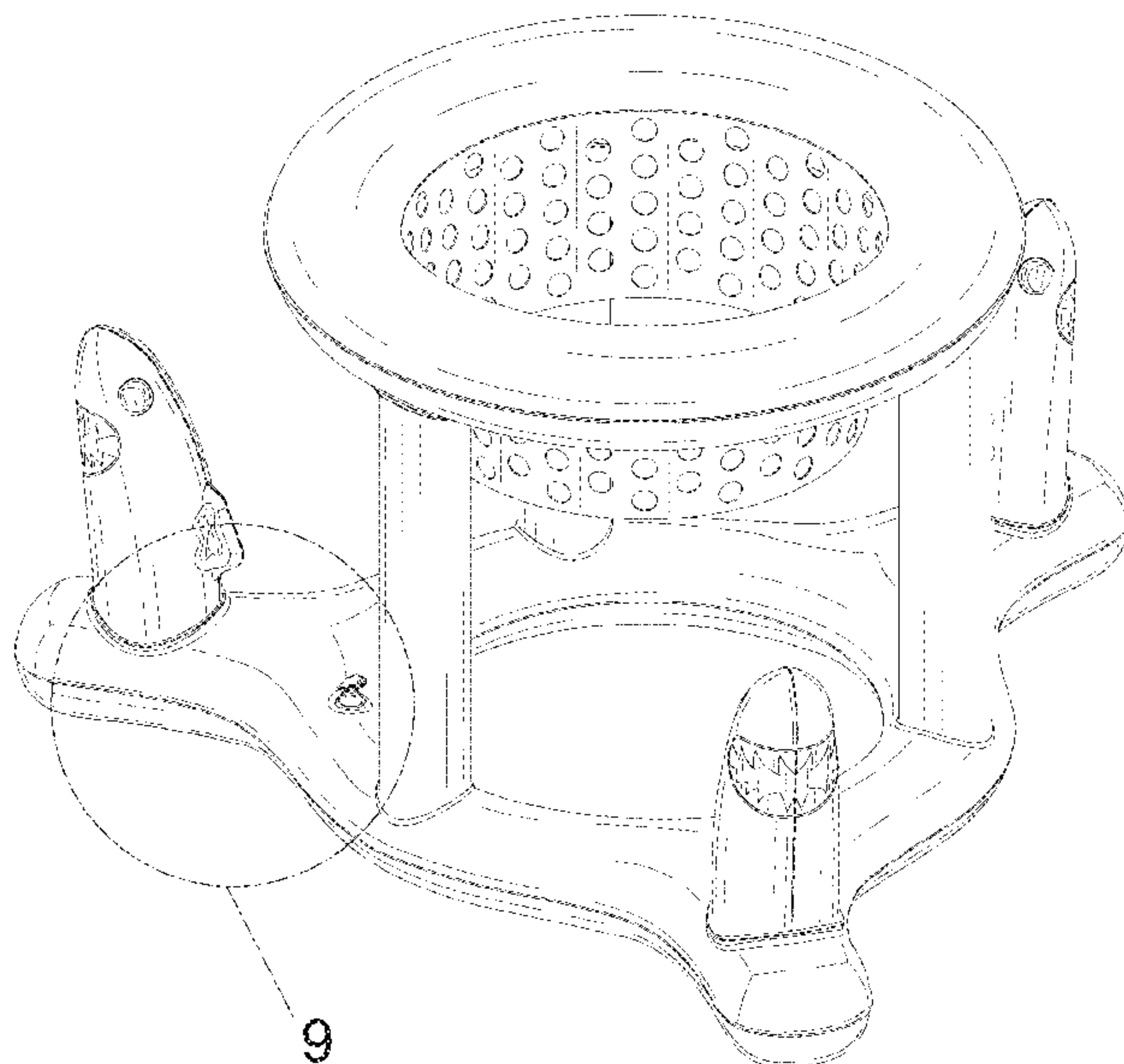
(57) **CLAIM**

The ornamental design for an inflatable pool toy, as shown and described.

DESCRIPTION

FIG. 1 is a perspective view of an inflatable pool toy, showing my new design;
FIG. 2 is another perspective view thereof;
FIG. 3 is a front view thereof;
FIG. 4 is a rear view thereof;
FIG. 5 is a left side view thereof;
FIG. 6 is a right side view thereof;
FIG. 7 is a top plan view thereof;
FIG. 8 is a bottom plan view thereof; and,
FIG. 9 is an enlarged view of portion 9 shown in FIG. 1. The dot-dash broken lines depict the boundaries of the enlargements that form no part of the claimed design.

1 Claim, 9 Drawing Sheets



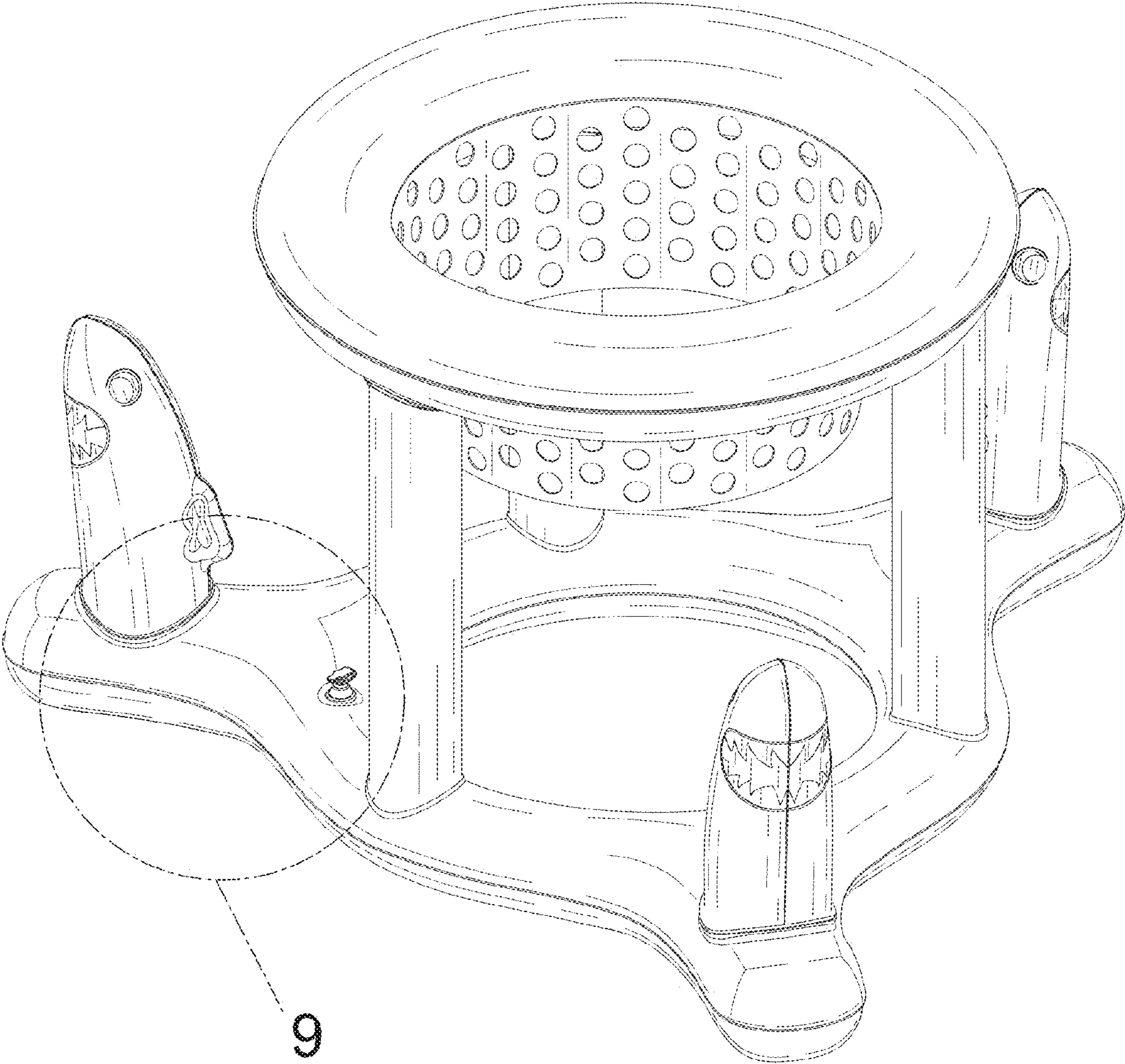


FIG. 1

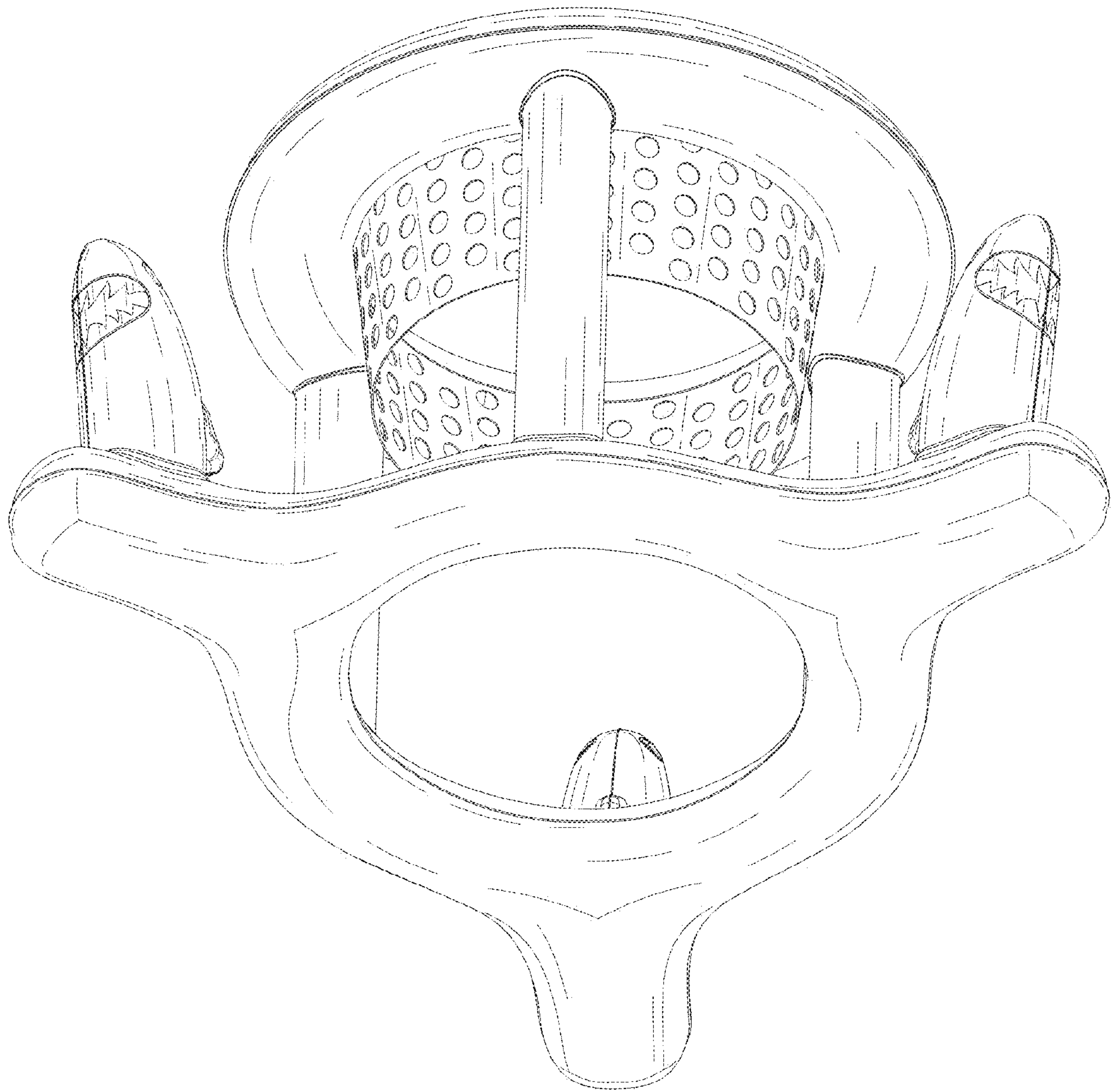


FIG. 2

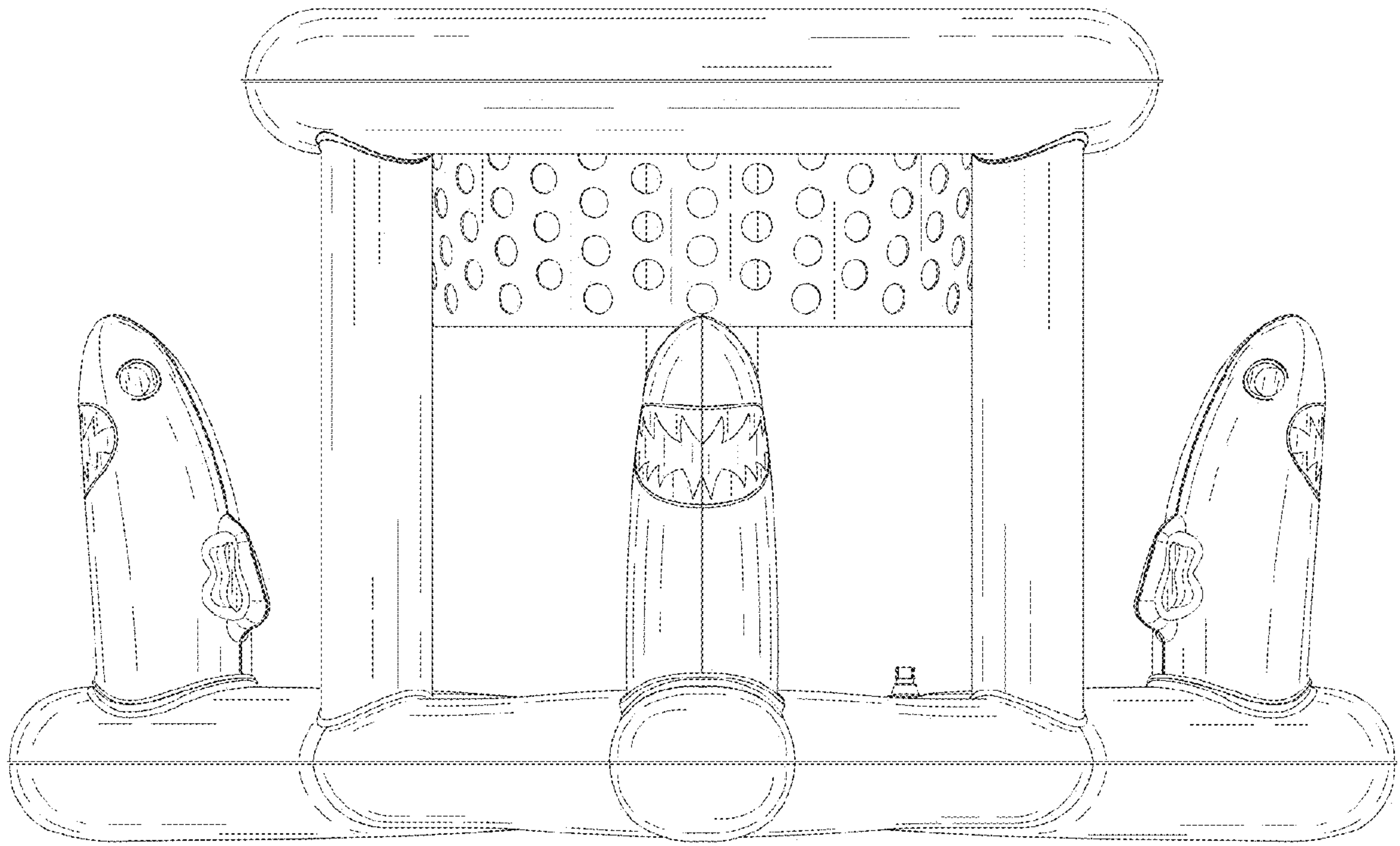


FIG. 3

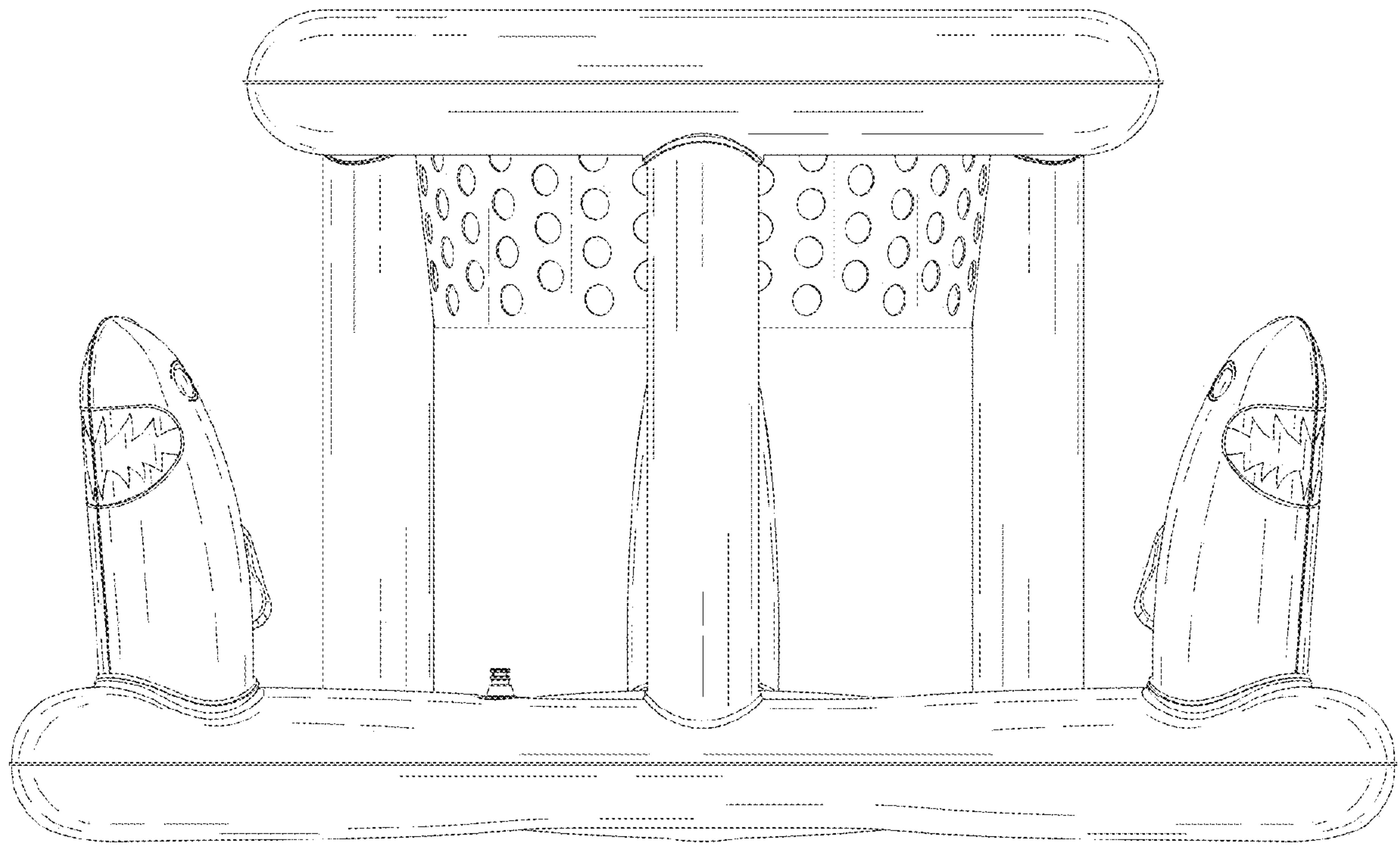


FIG. 4

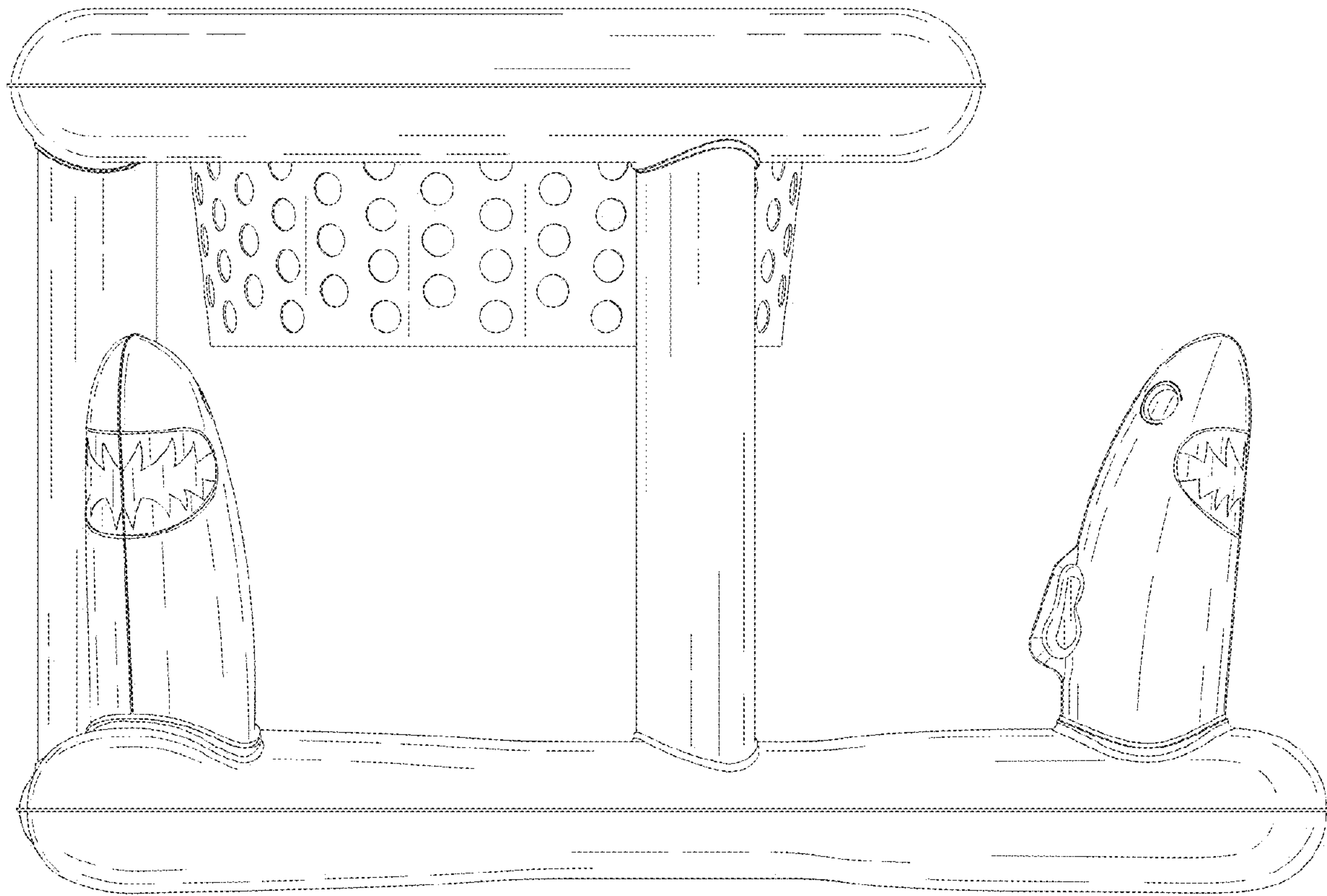


FIG. 5

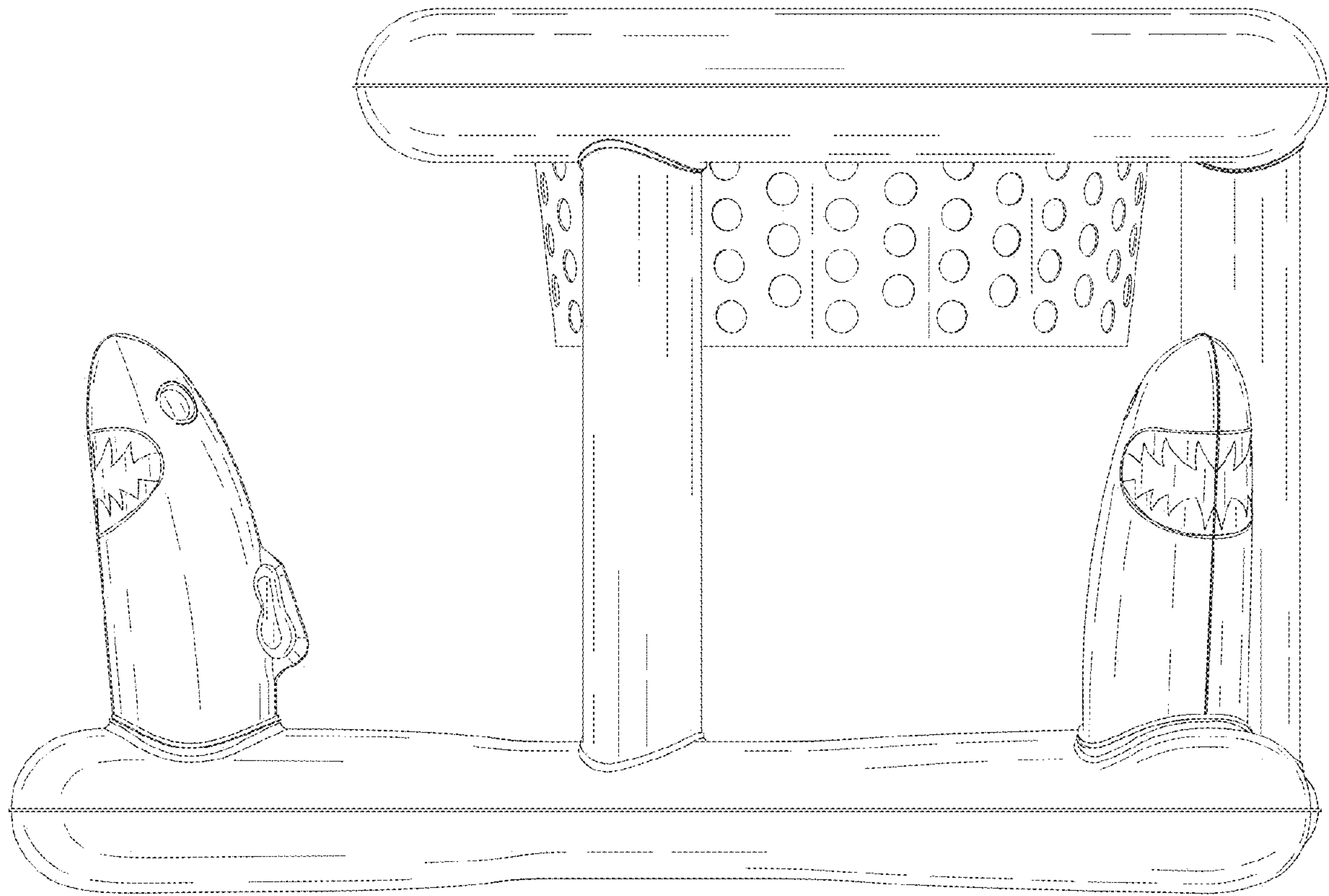


FIG. 6

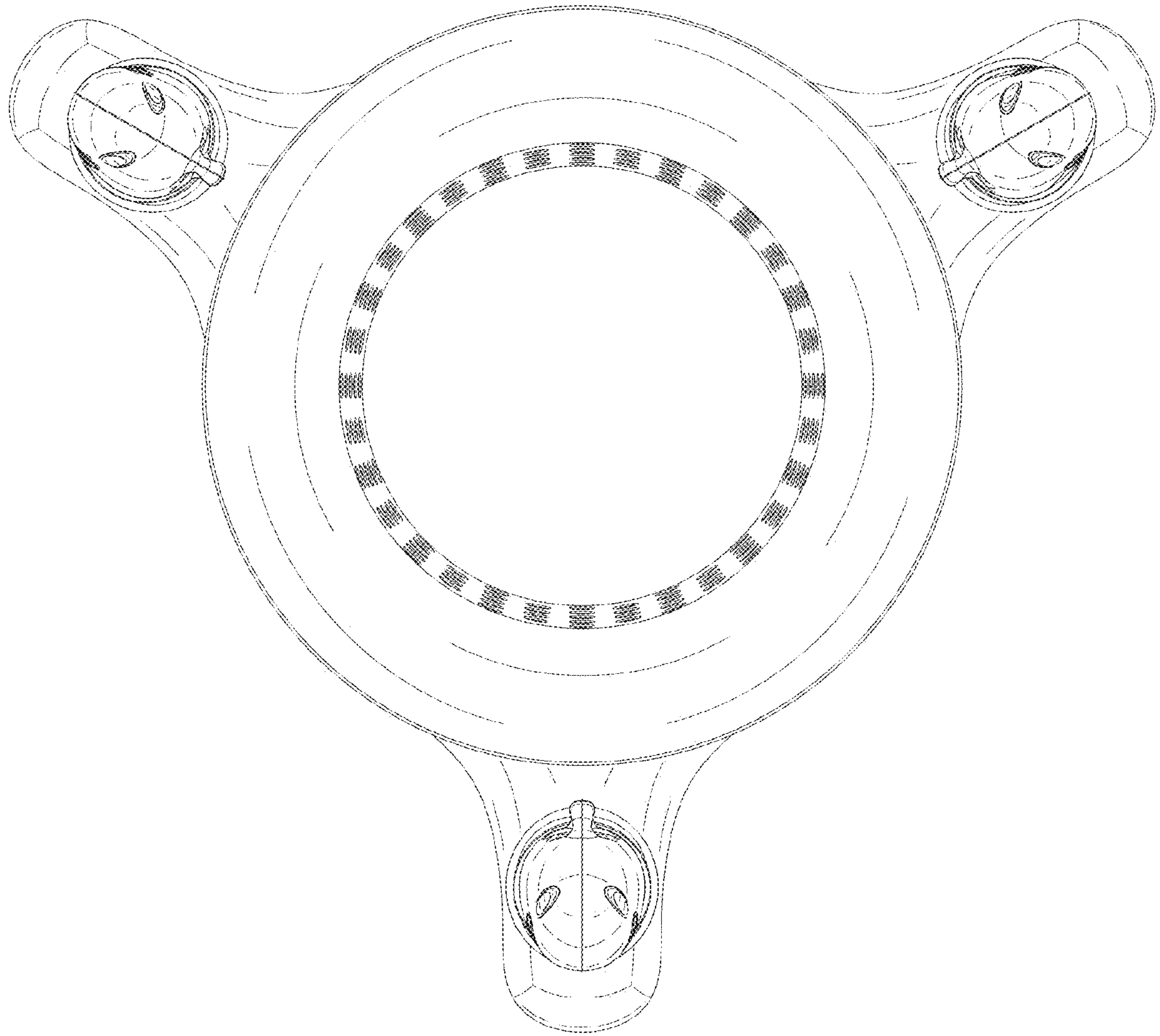


FIG. 7

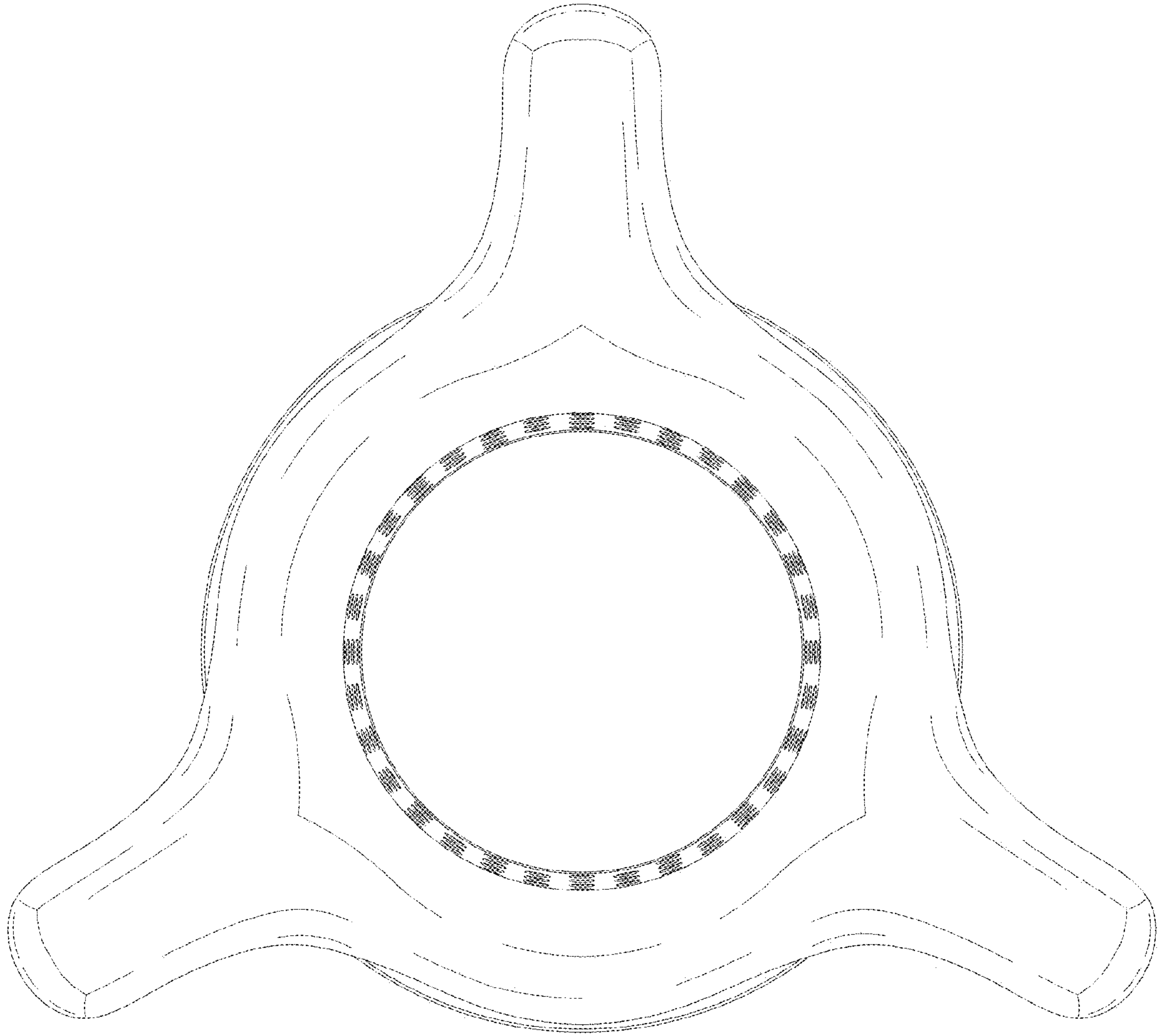


FIG. 8

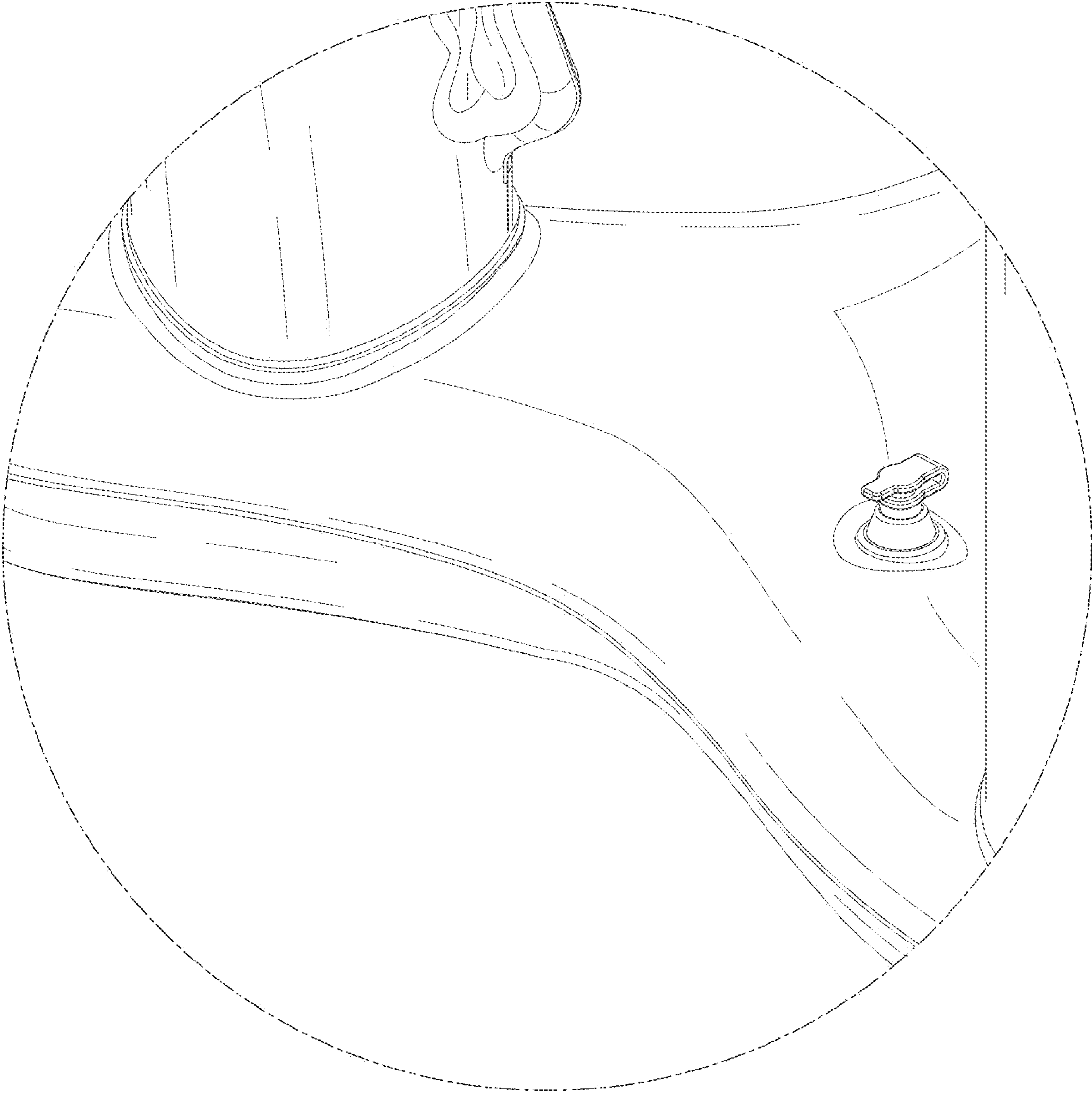


FIG. 9