



US00D965721S

(12) **United States Design Patent**  
**Yang et al.**

(10) **Patent No.:** **US D965,721 S**  
(45) **Date of Patent:** **\*\* Oct. 4, 2022**

- (54) **POOL FLOAT WITH PILLOW**
- (71) Applicant: **SATISFYLOVE INC.**, Ontario, CA (US)
- (72) Inventors: **Jiawei Yang**, Ontario, CA (US);  
**Chenliao Liao**, Ontario, CA (US)
- (73) Assignee: **SATISFYLOVE INC.**, Ontario, CA (US)
- (\*\*) Term: **15 Years**
- (21) Appl. No.: **29/827,848**
- (22) Filed: **Feb. 22, 2022**
- (51) **LOC (13) Cl.** ..... **21-01**
- (52) **U.S. Cl.**  
USPC ..... **D21/803; D6/596**
- (58) **Field of Classification Search**  
USPC ..... D21/803, 804, 807-810; D6/596;  
D29/124  
CPC ..... A47C 15/006; A47C 15/008  
See application file for complete search history.

(56) **References Cited**

**U.S. PATENT DOCUMENTS**

D350,586 S *	9/1994	Francis	.....	D6/596
D409,268 S *	5/1999	O'Rourke	.....	D21/803
D571,429 S *	6/2008	Roberts	.....	D21/803
D584,911 S *	1/2009	Hisey	.....	D6/601
D586,871 S	2/2009	Vessey		
D591,097 S *	4/2009	DeLong	.....	D6/601
D617,600 S *	6/2010	Corneh	.....	D6/596
D632,022 S *	2/2011	Walton	.....	D29/124
D712,683 S *	9/2014	Faubion	.....	D6/596
D781,977 S	3/2017	Lin		

D781,979 S *	3/2017	Lin	.....	D21/803
D823,966 S *	7/2018	Berenson	.....	D21/809
D828,053 S *	9/2018	Brzozowski	.....	D6/596
D849,167 S *	5/2019	Wang	.....	D21/803
D849,445 S *	5/2019	Li	.....	D6/596
D857,829 S *	8/2019	Peterson	.....	A47C 27/081 D21/809
D858,141 S *	9/2019	Simmons	.....	D6/596
D897,728 S *	10/2020	Burriss	.....	D6/596
D923,973 S *	7/2021	Yuan	.....	D6/604
D937,012 S *	11/2021	Song	.....	D6/604
2016/0037887 A1 *	2/2016	McDonald	.....	A47C 17/82 190/1
2017/0360206 A1 *	12/2017	Huang	.....	A63H 23/10

\* cited by examiner

*Primary Examiner* — Michael C Stout  
*Assistant Examiner* — Melvin L Davis

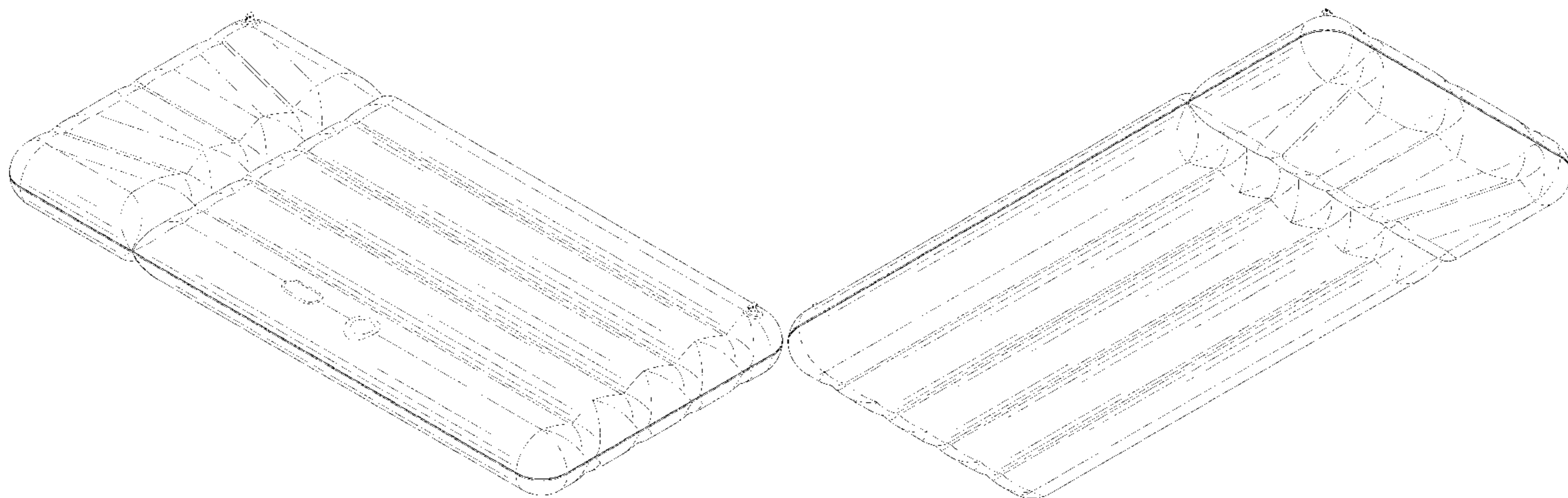
(57) **CLAIM**

The ornamental design for a pool float with pillow, as shown and described.

**DESCRIPTION**

FIG. 1 is a perspective view of a pool float with pillow showing our new design;  
 FIG. 2 is another perspective view thereof;  
 FIG. 3 is a front elevational view thereof;  
 FIG. 4 is a rear elevational view thereof;  
 FIG. 5 is a left side elevational view thereof;  
 FIG. 6 is a right side elevational view thereof;  
 FIG. 7 is a top plan view thereof; and,  
 FIG. 8 is a bottom plan view thereof.  
 The broken lines in the drawings depict portions of the pool float with pillow that form no part of the claimed design.

**1 Claim, 8 Drawing Sheets**



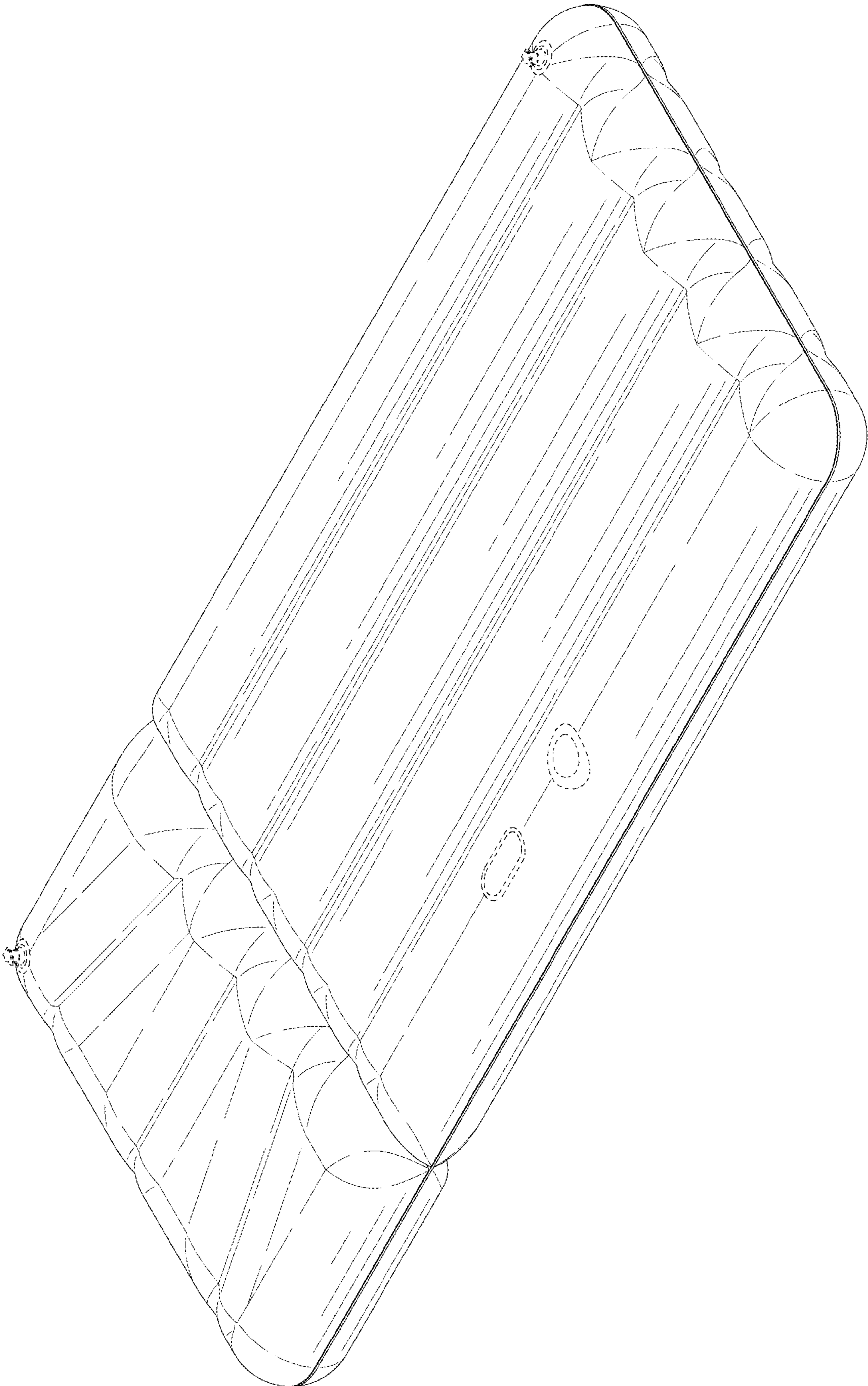


FIG. 1

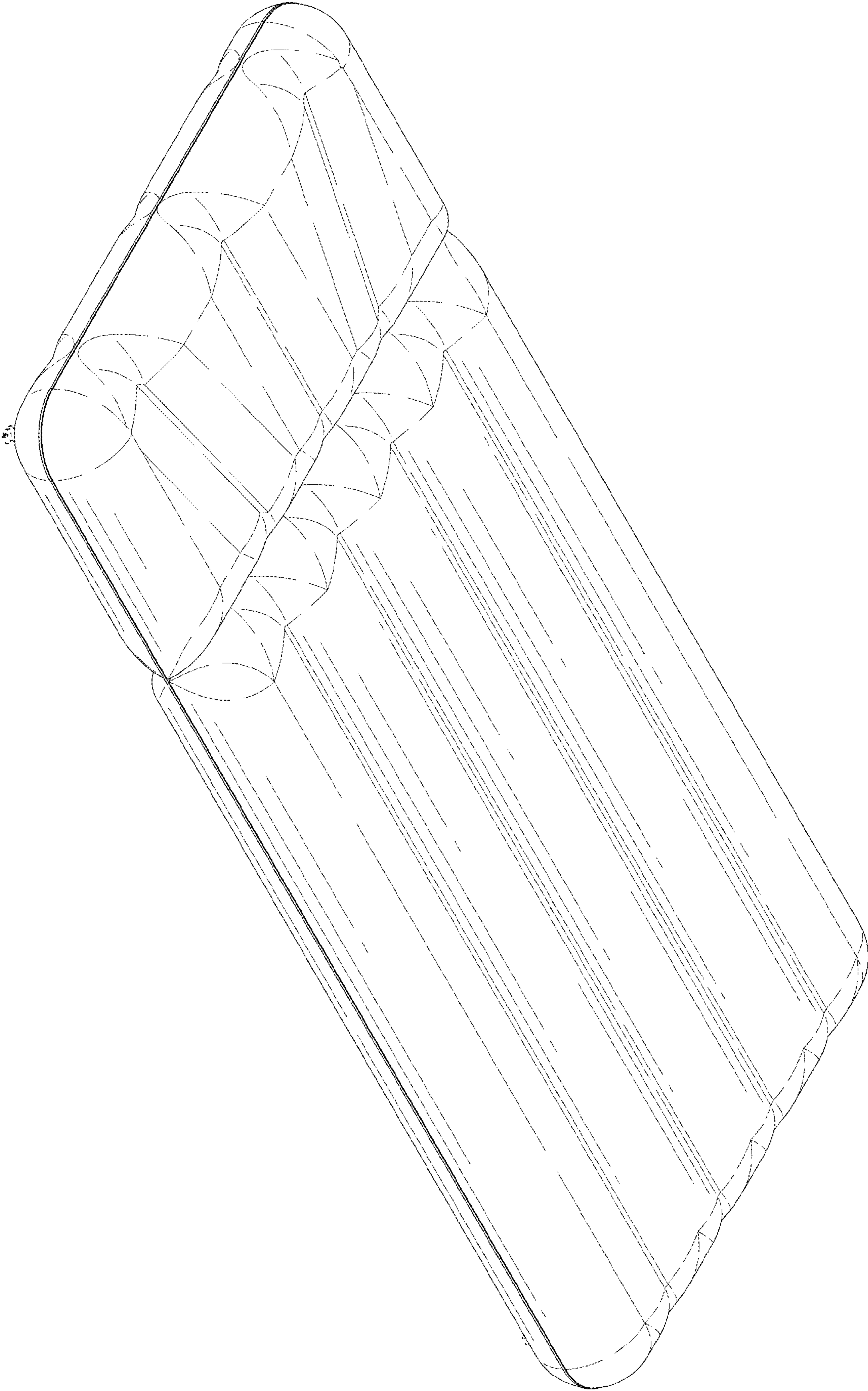


FIG. 2

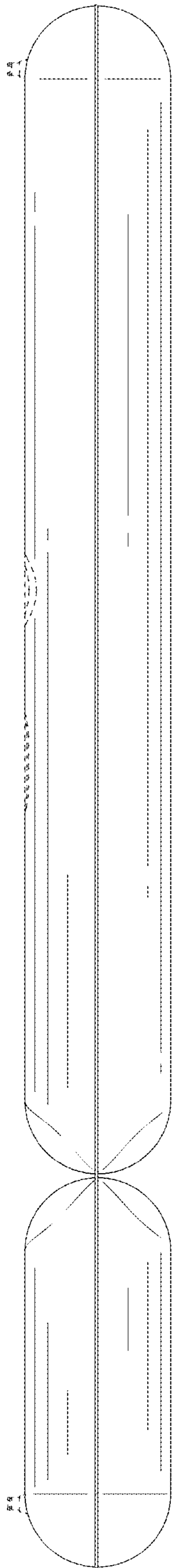


FIG. 3

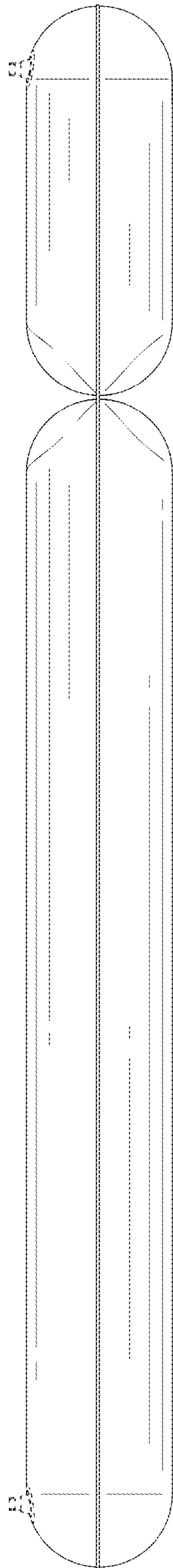


FIG. 4

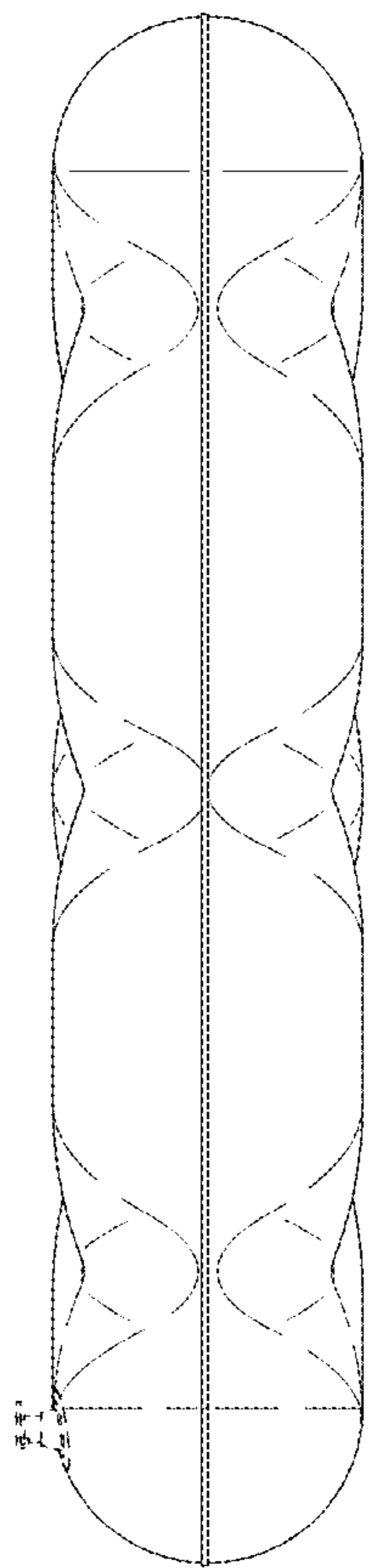


FIG. 5

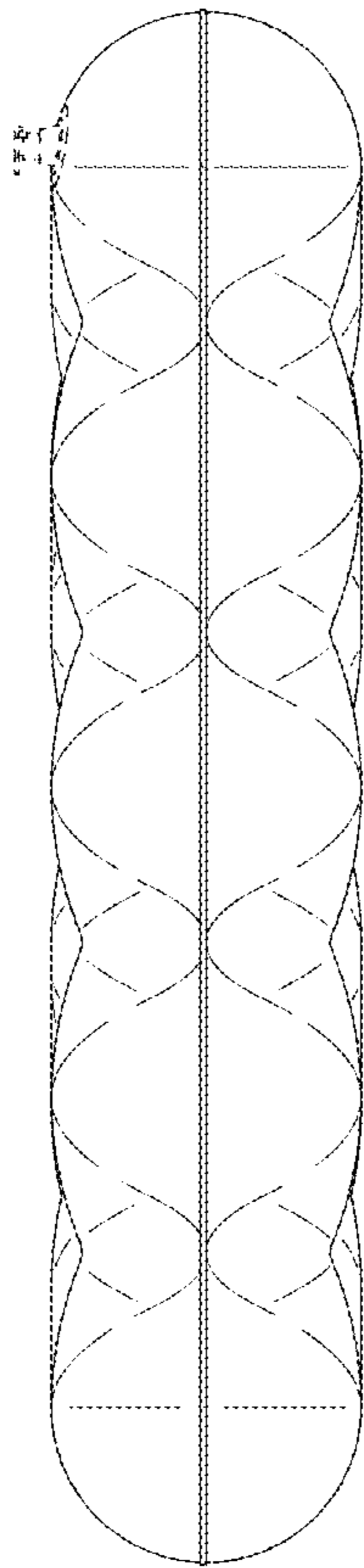


FIG. 6

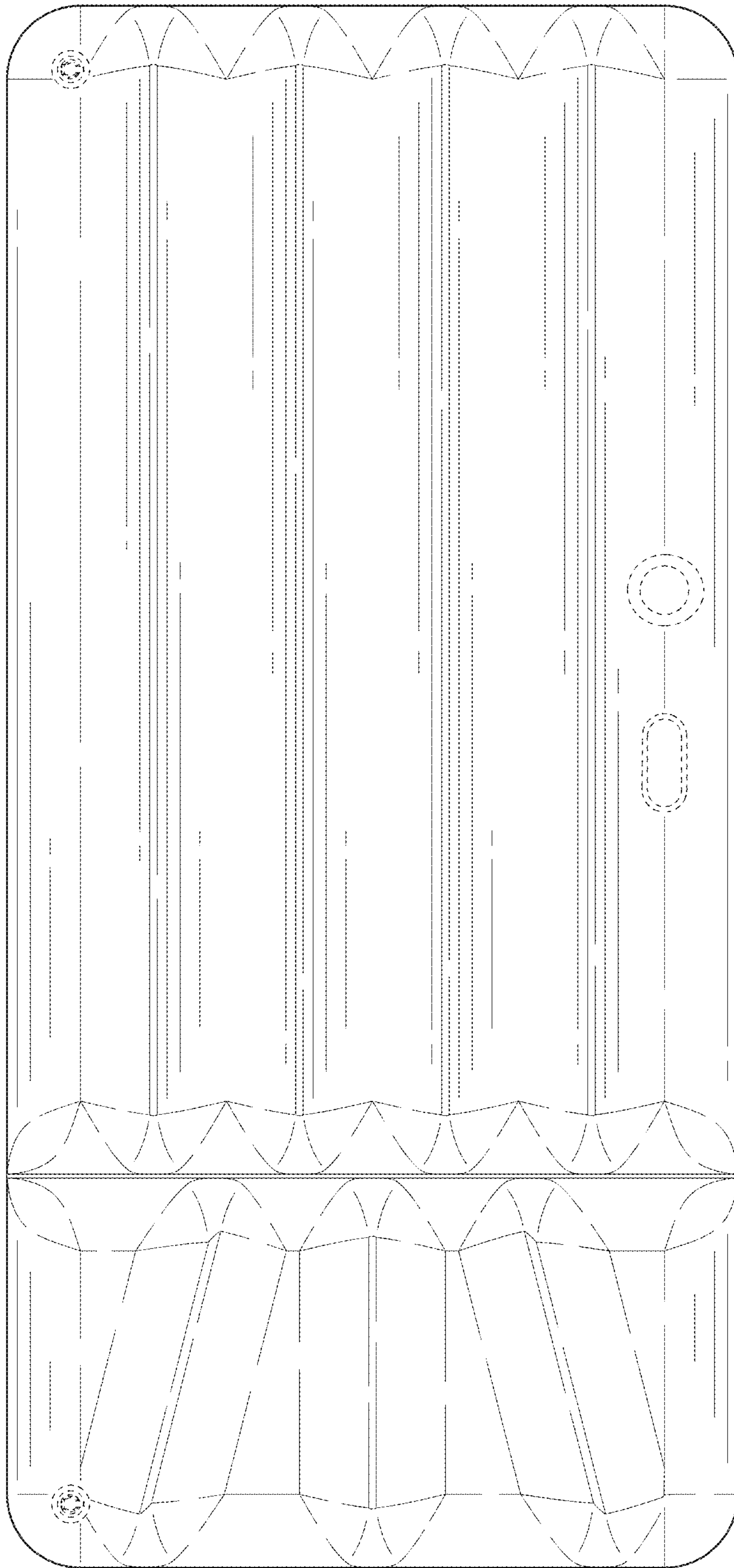


FIG. 7



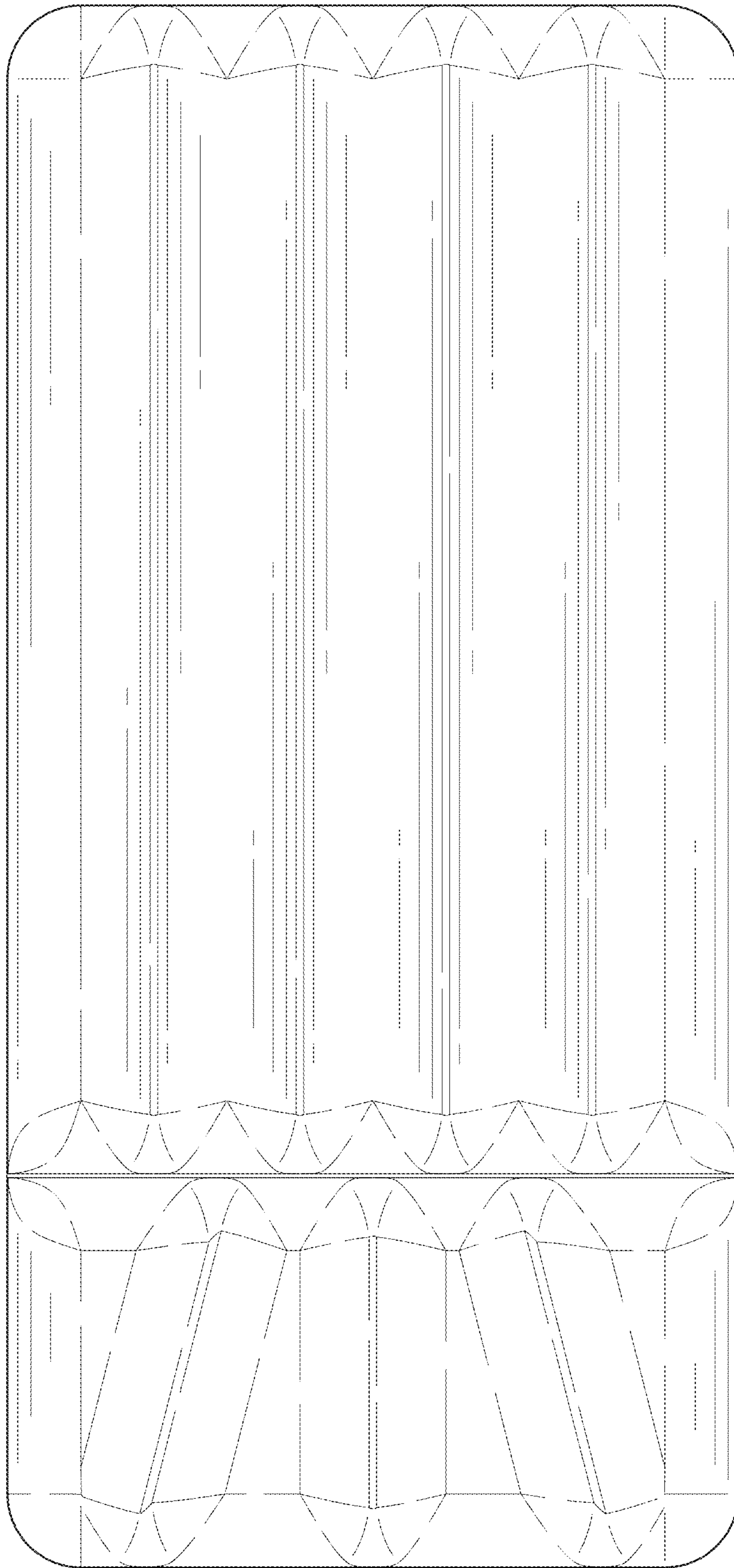


FIG. 8