



US00D965717S

(12) **United States Design Patent**  
**Kachur**

(10) **Patent No.:** **US D965,717 S**

(45) **Date of Patent:** **\*\* Oct. 4, 2022**

(54) **HOCKEY STICK GRIP**

(71) Applicant: **Kevin Kachur**, Edmonton (CA)

(72) Inventor: **Kevin Kachur**, Edmonton (CA)

(\*\*) Term: **15 Years**

(21) Appl. No.: **29/765,836**

(22) Filed: **Jan. 12, 2021**

(30) **Foreign Application Priority Data**

Jul. 14, 2020 (CA) ..... CA 196935

(51) **LOC (13) Cl.** ..... **21-02**

(52) **U.S. Cl.**  
USPC ..... **D21/758**; D21/727

(58) **Field of Classification Search**  
USPC ..... D21/756-758, 727; D8/80, 83, 94, 97,  
D8/107, 300, 321  
CPC ... A63B 60/06-34; A63B 60/00; A63B 60/46;  
A63B 59/60-80; A63B 49/00-14; A63B  
53/14; A63B 59/70; A63B 2102/22; A63B  
2102/24  
See application file for complete search history.

(56) **References Cited**

U.S. PATENT DOCUMENTS

- D182,359 S \* 3/1958 Doughty ..... D21/753
- 4,553,753 A \* 11/1985 Gibbons ..... A63B 59/70  
473/299
- D289,671 S \* 5/1987 Abel ..... D21/756
- 5,398,930 A \* 3/1995 Gibson ..... A63B 60/10  
473/201
- 5,456,463 A \* 10/1995 Dolan ..... A63B 60/12  
473/563
- 6,004,234 A \* 12/1999 Majchrowicz ..... A63B 60/06  
473/560
- 6,705,951 B2 \* 3/2004 Beauregard ..... A63B 53/14  
473/206
- D492,375 S \* 6/2004 Berghash ..... D21/727
- D515,649 S \* 2/2006 Zichmanis ..... D21/756

- 7,282,001 B2 \* 10/2007 Ponzini ..... A63B 60/50  
473/560
- 7,288,036 B2 \* 10/2007 Casasanta, Jr. .... A63B 59/70  
473/560
- 2021/0331051 A1 \* 10/2021 Kachur ..... A63B 59/70

FOREIGN PATENT DOCUMENTS

CA 2270681 A1 \* 11/2000 ..... A63B 59/70

OTHER PUBLICATIONS

Hockey stick grip google search; google.com; May 27, 2022.\*  
Hockey stick grip handle google search; google.com; May 27,  
2022.\*  
Hockey stick grip handle amazon search; amazon.com; May 27,  
2022.\*

\* cited by examiner

*Primary Examiner* — Mitchell I. Siegel  
(74) *Attorney, Agent, or Firm* — Finch & Maloney PLLC;  
Jay S. Franlin; Michael J. Bujold

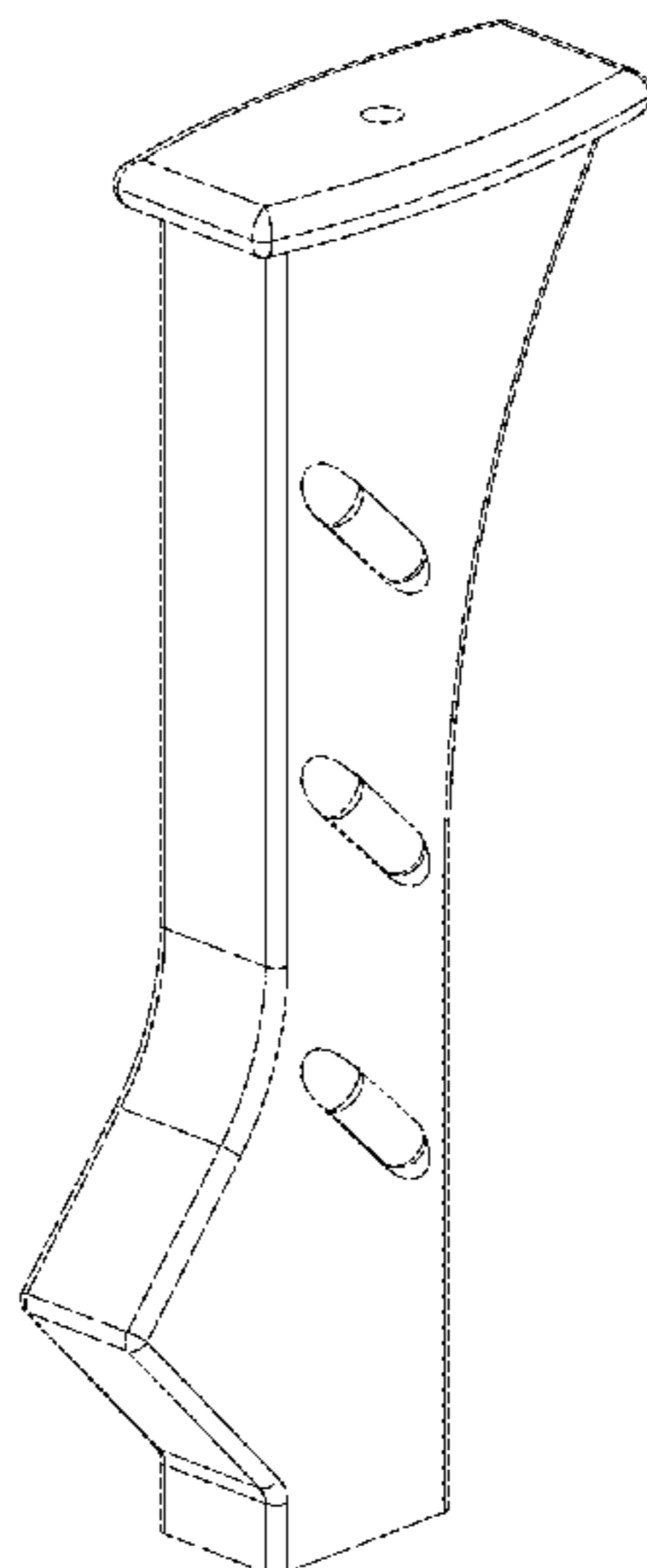
(57) **CLAIM**

I claim the ornamental design for a hockey stick grip, as shown and described.

**DESCRIPTION**

FIG. 1 is a perspective view of a hockey stick grip.  
FIG. 2 is a right side elevation view of the hockey stick grip of FIG. 1.  
FIG. 3 is a rear elevation view of the hockey stick grip of FIG. 1.  
FIG. 4 is a left side elevation view of the hockey stick grip of FIG. 1.  
FIG. 5 is front elevation view of the hockey stick grip of FIG. 1.  
FIG. 6 is a top plan view of the hockey stick grip of FIG. 1; and,  
FIG. 7 is a bottom plan view of the hockey stick grip of FIG. 1.

**1 Claim, 4 Drawing Sheets**



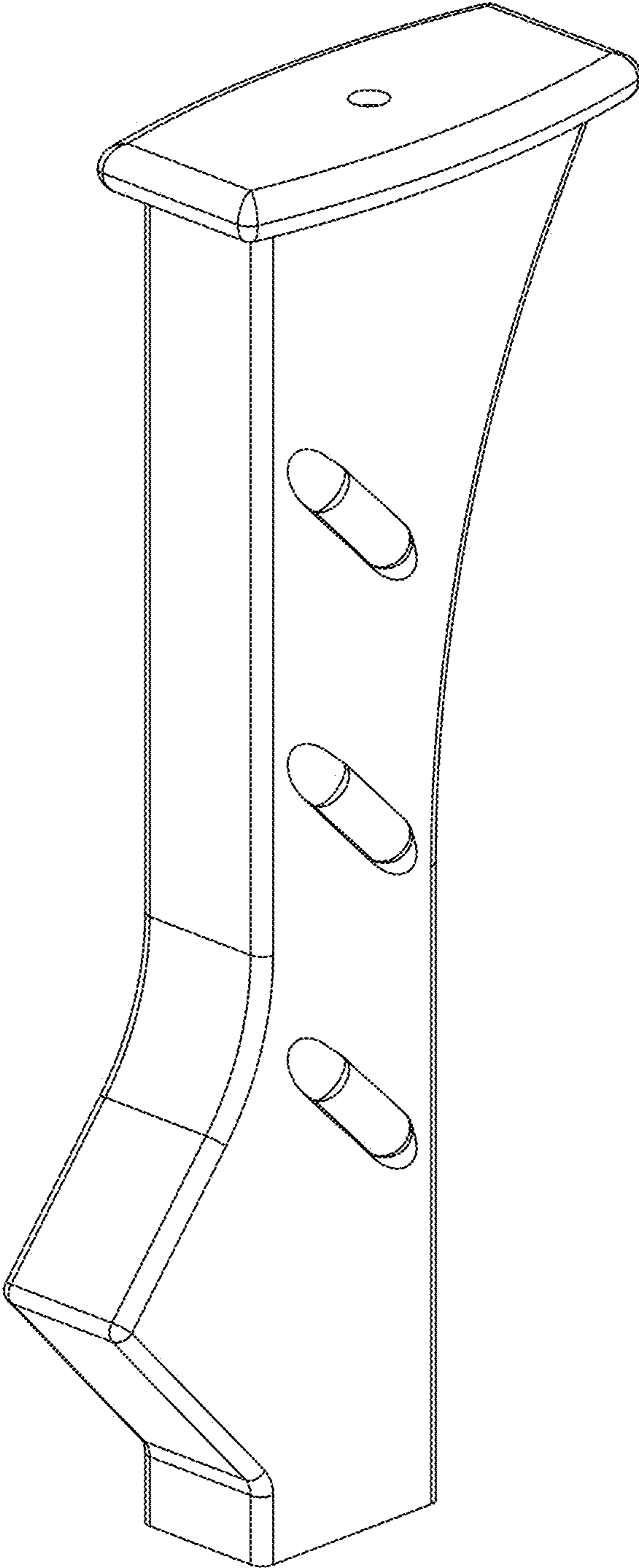


FIG. 1

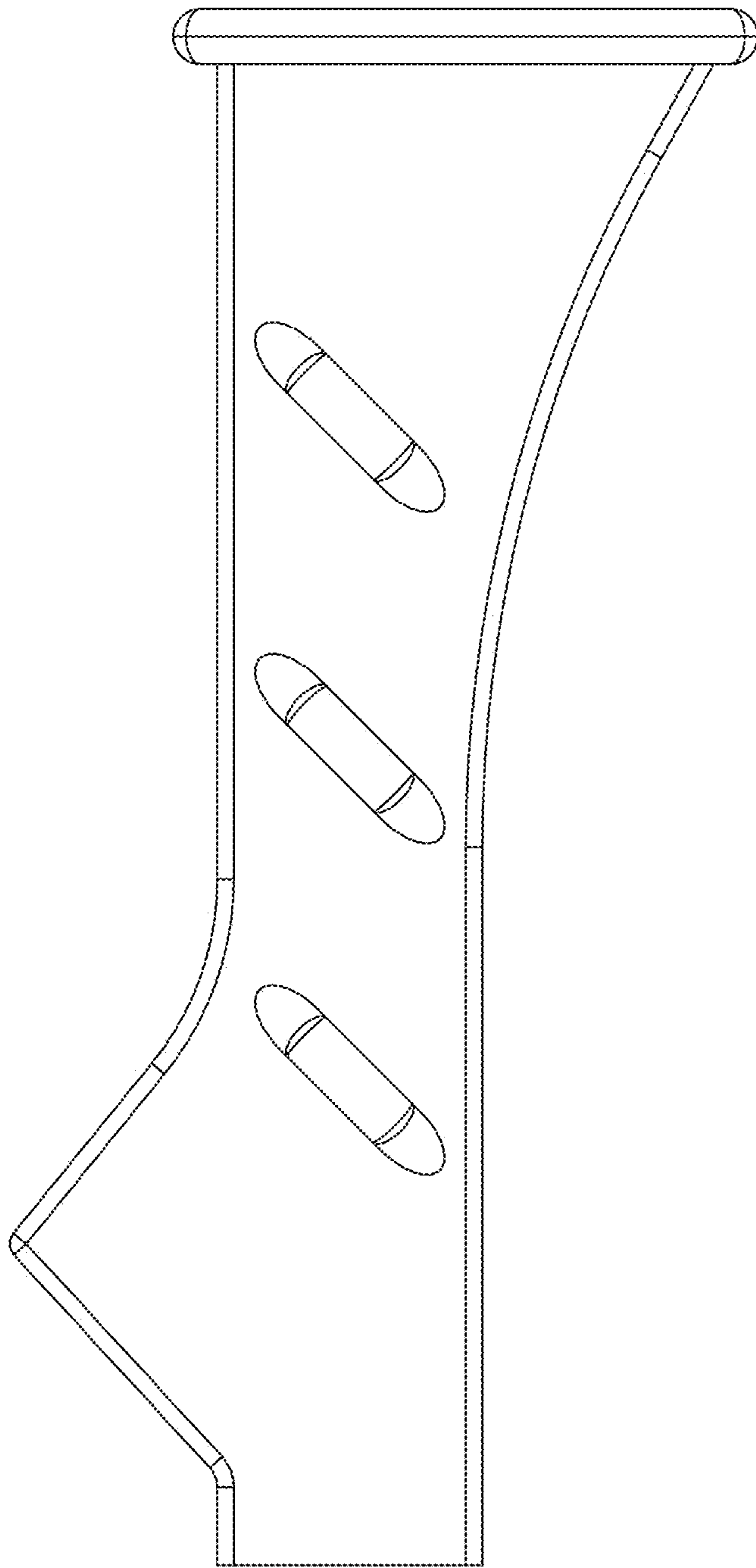


FIG. 2

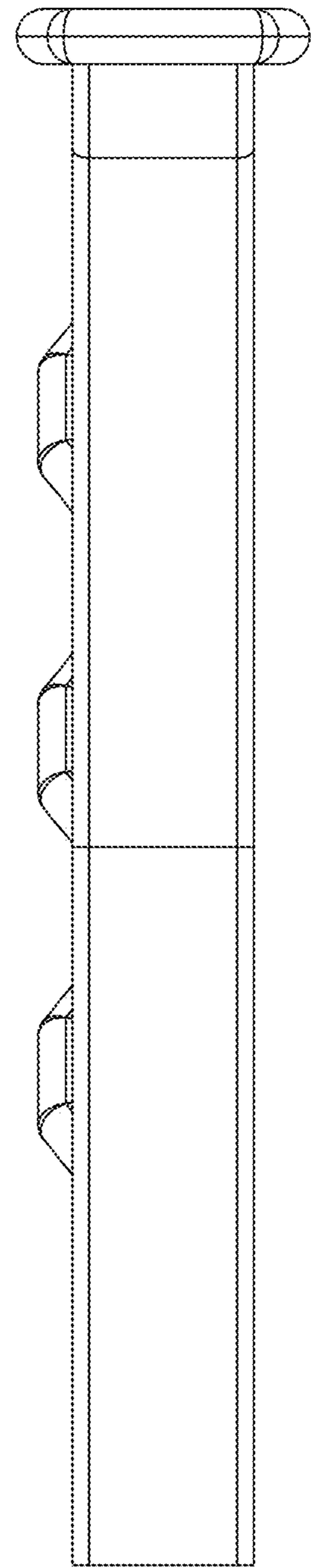


FIG. 3

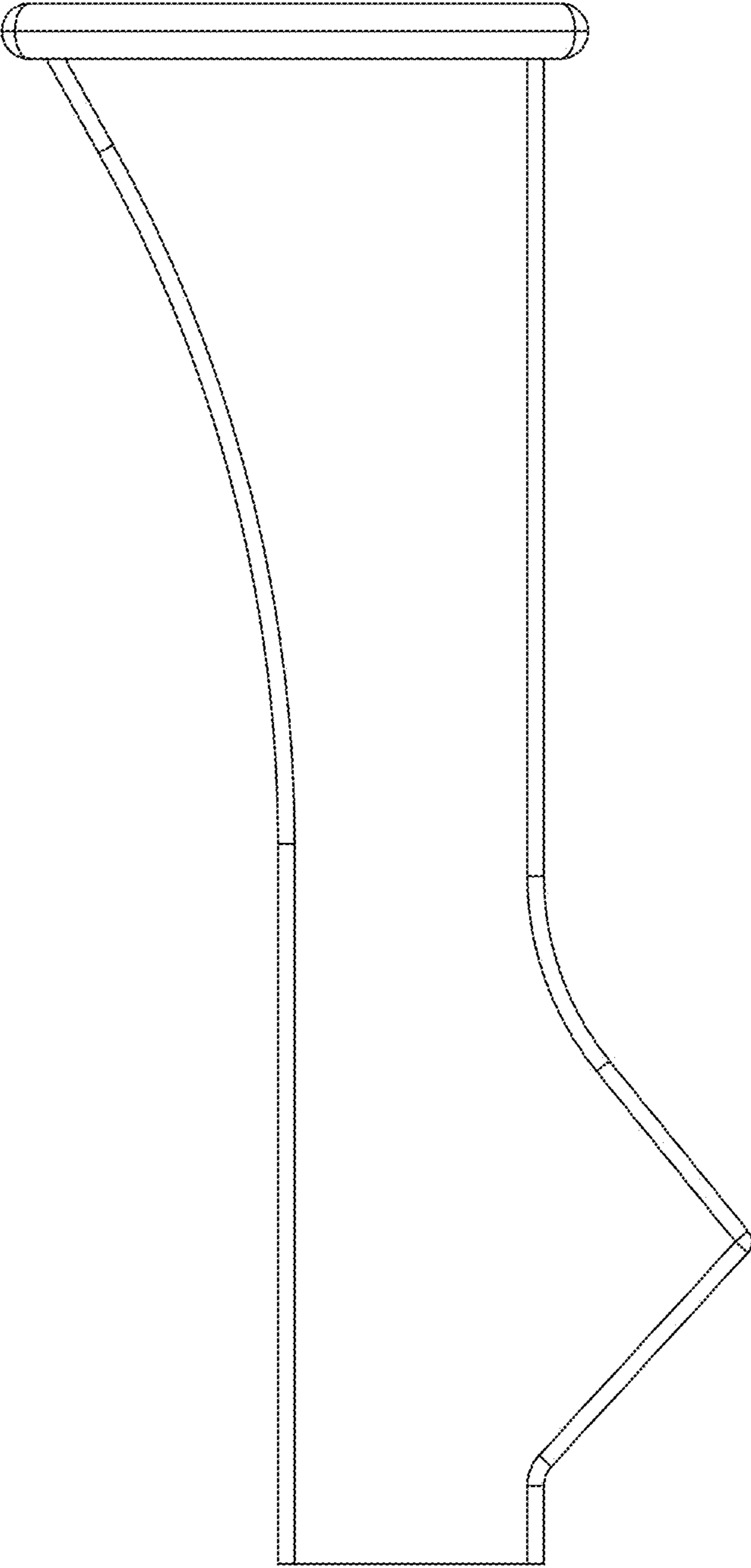


FIG. 4

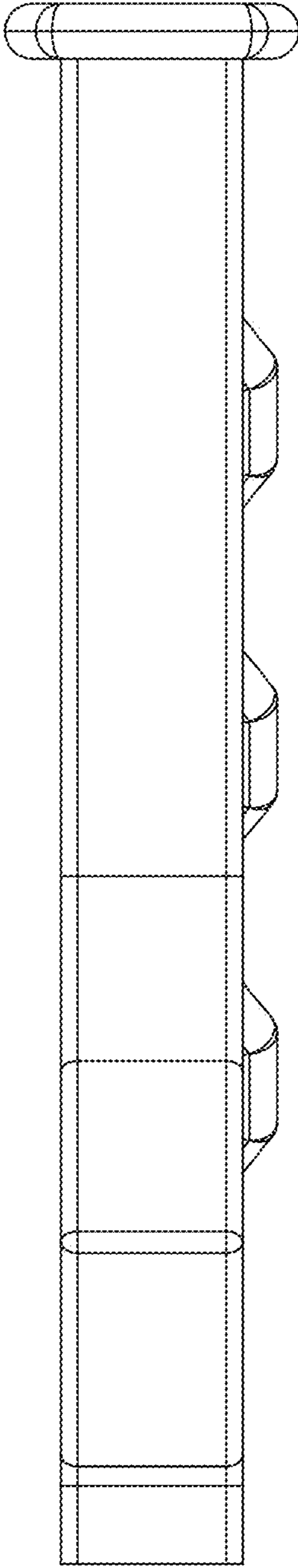


FIG. 5

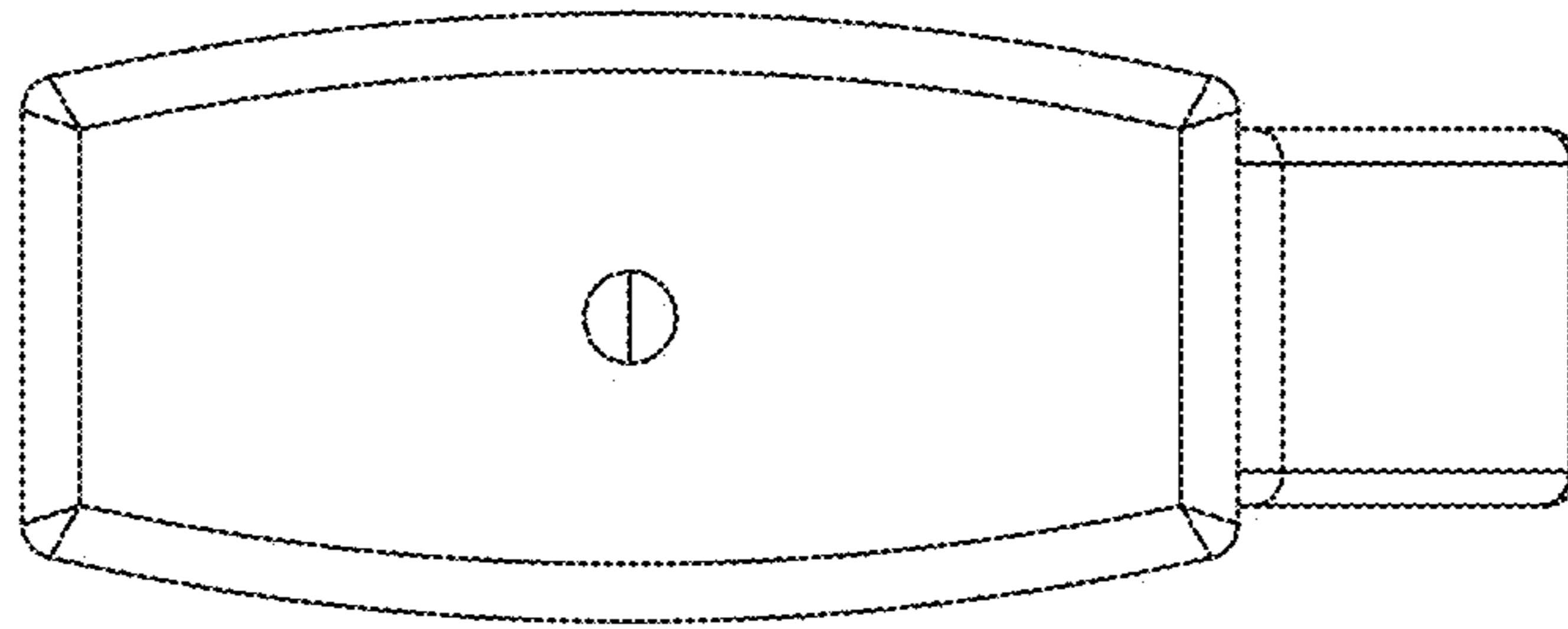


FIG. 6

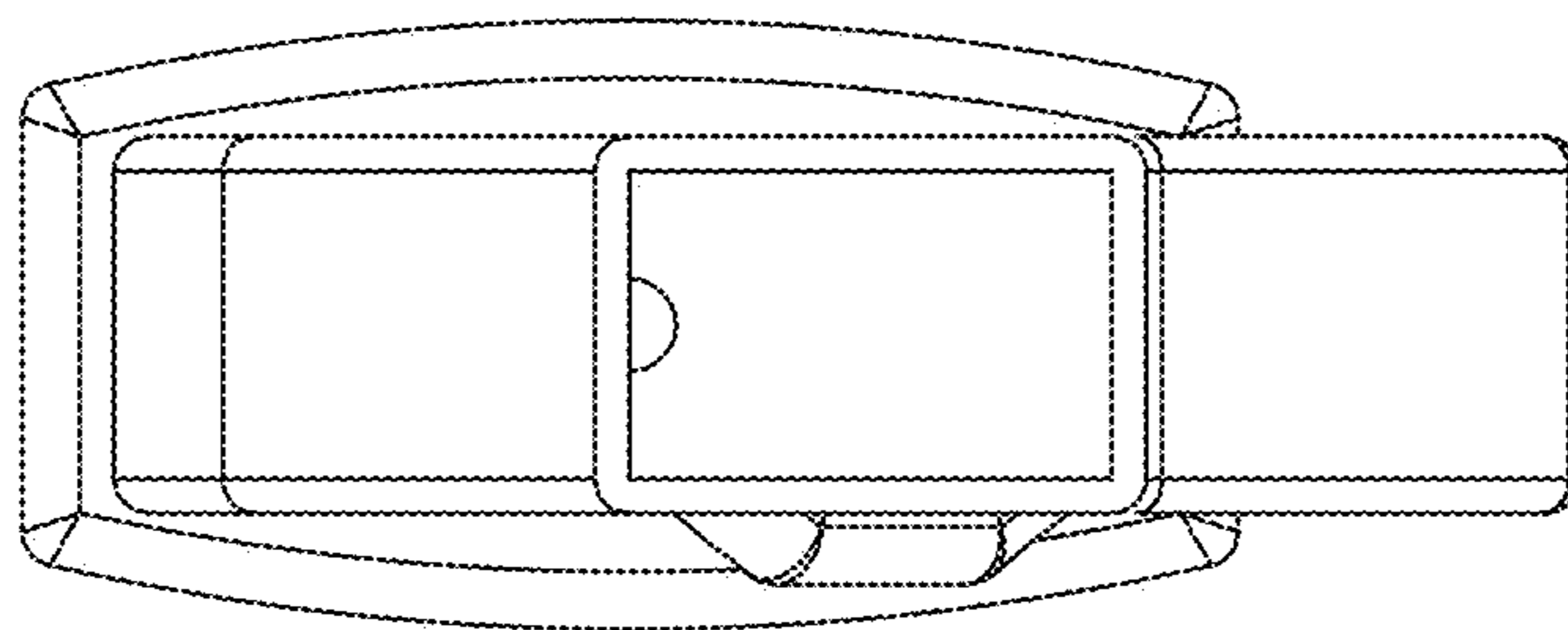


FIG. 7