



US00D965715S

(12) **United States Design Patent**
Serrano et al.

(10) **Patent No.:** **US D965,715 S**

(45) **Date of Patent:** **** Oct. 4, 2022**

(54) **GOLF CLUB HEAD**

(71) Applicant: **KARSTEN MANUFACTURING CORPORATION**, Phoenix, AZ (US)

(72) Inventors: **Anthony D. Serrano**, Phoenix, AZ (US); **Murphy R. Alexander**, Scottsdale, AZ (US)

(73) Assignee: **KARSTEN MANUFACTURING CORPORATION**, Phoenix, AZ (US)

(**) Term: **15 Years**

(21) Appl. No.: **29/747,392**

(22) Filed: **Aug. 21, 2020**

(51) **LOC (13) Cl.** **21-02**

(52) **U.S. Cl.**
USPC **D21/744**

(58) **Field of Classification Search**
USPC D21/736-746, 759
CPC A63B 53/00; A63B 53/04; A63B 53/007;
A63B 53/065; A63B 53/0487; A63B
60/00; A63B 60/46
See application file for complete search history.

(56) **References Cited**

U.S. PATENT DOCUMENTS

1,960,110 A * 5/1934 Iles A63B 47/02
473/286
3,708,172 A * 1/1973 Rango A63B 47/008
473/249
D257,869 S * 1/1981 MacDougall D21/739
(Continued)

FOREIGN PATENT DOCUMENTS

CN 205055352 3/2016
EM 0026795220001 7/2015
(Continued)

OTHER PUBLICATIONS

Golf Club Putter Right Handed Clubs 33/ 34/ 35 inch Above the Green to Take the Ball Unique New Functionality, AliExpress, Accessed on Apr. 11, 2017; <<https://www.aliexpress.com/item/Unique-newest-functionality-golf-clubs-putter-right-handed-clubs-33-34-35inch-Above-the-green-to/32754733509.html>>.

(Continued)

Primary Examiner — Mitchell I. Siegel

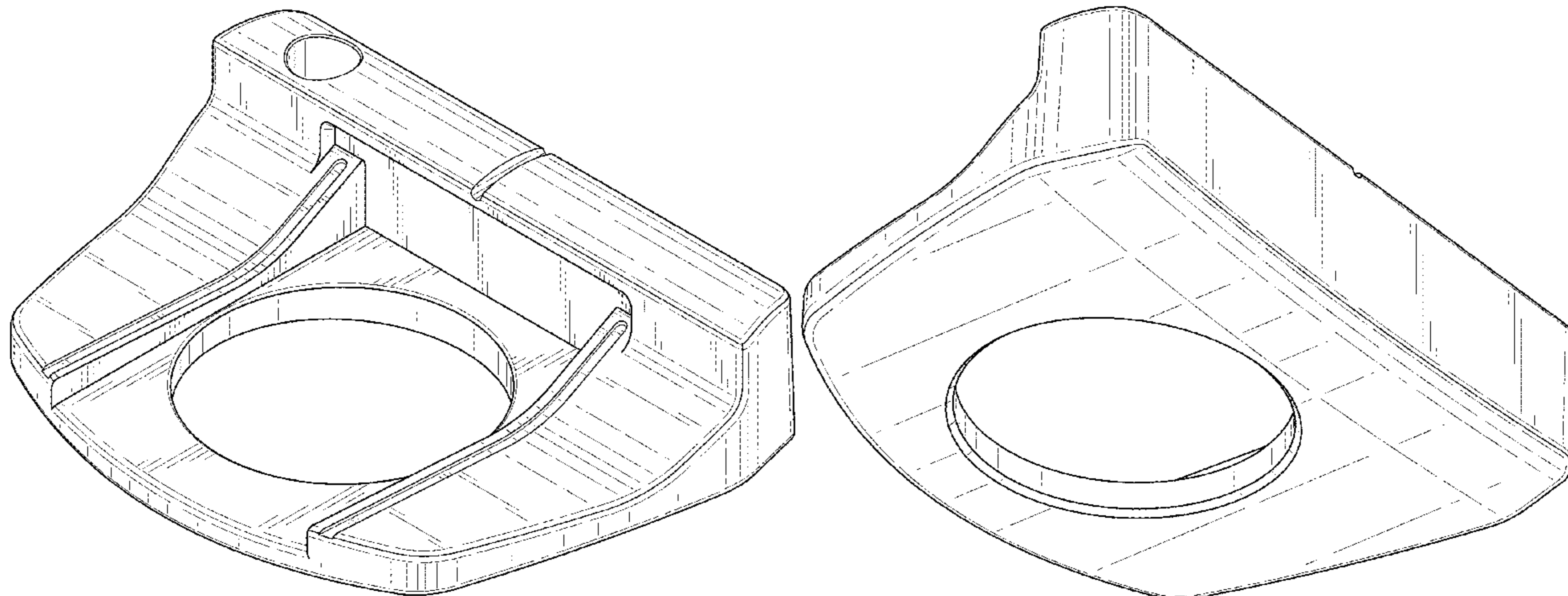
(57) **CLAIM**

The ornamental design for a golf club head, as shown and described.

DESCRIPTION

FIG. 1 is a top perspective view of a first embodiment of a golf club head;
FIG. 2 is a bottom perspective view of the golf club head of FIG. 1;
FIG. 3 is a top view of the golf club head of FIG. 1;
FIG. 4 is a bottom view of the golf club head of FIG. 1;
FIG. 5 is a front view of the golf club head of FIG. 1;
FIG. 6 is a rear view of the golf club head of FIG. 1;
FIG. 7 is a heel side view of the golf club head of FIG. 1;
FIG. 8 is a toe side view of the golf club head of FIG. 1;
FIG. 9 is a top perspective view of a second embodiment of the golf club head;
FIG. 10 is a bottom perspective view of the golf club head of FIG. 9;
FIG. 11 is a top view of the golf club head of FIG. 9;
FIG. 12 is a bottom view of the golf club head of FIG. 9;
FIG. 13 is a front view of the golf club head of FIG. 9;
FIG. 14 is a rear view of the golf club head of FIG. 9;
FIG. 15 is a heel side view of the golf club head of FIG. 9;
and,
FIG. 16 is a toe side view of the golf club head of FIG. 9.
The broken lines shown form no part of the claimed design.

1 Claim, 12 Drawing Sheets



(56)

References Cited

U.S. PATENT DOCUMENTS

D268,691 S * 4/1983 Collins D21/739
 D316,129 S * 4/1991 Bryson D21/739
 D320,251 S * 9/1991 Mermillod D21/739
 D320,638 S * 10/1991 Mermillod D21/739
 5,524,889 A * 6/1996 Rush A63B 53/0487
 473/286
 D380,030 S * 6/1997 Altman D21/739
 D388,853 S * 1/1998 Minami D21/745
 D400,942 S 11/1998 Billings
 D402,724 S * 12/1998 Minami D21/743
 D424,145 S * 5/2000 Minami D21/744
 D458,658 S * 6/2002 Jung D21/744
 D499,154 S * 11/2004 D'Agguano D21/736
 6,878,072 B1 * 4/2005 Henry A63B 53/0487
 473/286
 7,059,971 B1 * 6/2006 Schmitt A63B 60/50
 473/285
 7,086,959 B2 * 8/2006 D'Agguano A63B 47/02
 473/282
 7,223,178 B2 * 5/2007 Henry A63B 53/0487
 473/252
 D565,138 S * 3/2008 Wilson D21/743
 D568,427 S * 5/2008 Nguyen D21/743
 D572,325 S * 7/2008 Baer D21/746
 D604,782 S 11/2009 Franklin
 D607,950 S 1/2010 Souza
 7,922,596 B2 * 4/2011 Vanderbilt A63B 57/353
 473/251
 D643,894 S * 8/2011 Price D21/744
 D645,923 S * 9/2011 Price D21/736
 8,272,976 B2 * 9/2012 DAgostino A63B 53/0466
 473/345
 8,632,415 B1 * 1/2014 Smith A63B 47/04
 473/286
 D704,781 S * 5/2014 Pak D21/736
 8,771,095 B2 * 7/2014 Beach A63B 53/04
 473/226
 8,777,775 B2 * 7/2014 Johnson A63B 53/14
 473/341
 D741,965 S 10/2015 Davis
 D741,966 S * 10/2015 Davis D21/736

D741,967 S * 10/2015 Davis D21/736
 D769,996 S 10/2016 Abbott
 D774,609 S 12/2016 Serrano
 D783,102 S * 4/2017 Warren D21/743
 D783,103 S * 4/2017 Warren D21/743
 D783,746 S * 4/2017 Warren D21/743
 D791,254 S * 7/2017 Ramsauer D21/744
 D794,732 S 8/2017 Jertson
 D796,602 S * 9/2017 Serrano D21/743
 D796,603 S 9/2017 Serrano
 D797,872 S 9/2017 Jertson
 D832,950 S * 11/2018 Serrano D21/746
 D847,923 S * 5/2019 Wang D21/736
 D879,222 S * 3/2020 Serrano D21/742
 D879,223 S * 3/2020 Serrano D21/742
 D908,826 S * 1/2021 Clarke D21/736
 D924,346 S * 7/2021 Nicolette D21/736
 D929,516 S * 8/2021 Wang D21/744
 D929,518 S * 8/2021 Agrella D21/744
 D929,523 S * 8/2021 Toulon D21/759
 D930,097 S * 9/2021 Wang D21/744
 D934,363 S * 10/2021 Serrano D21/746
 D936,768 S * 11/2021 Cameron D21/736
 2006/0223649 A1 * 10/2006 Rife A63B 60/02
 473/334
 2014/0128173 A1 * 5/2014 Quan A63B 53/0487
 473/242
 2014/0357403 A1 * 12/2014 Quan A63B 53/04
 473/349
 2017/0036078 A1 * 2/2017 Serrano A63B 60/52

FOREIGN PATENT DOCUMENTS

GB 2213737 8/1989
 JP D1437323 4/2012
 KR 20140147640 12/2014

OTHER PUBLICATIONS

2016 New Golf Club Putter Men's Gold / Silver 33/ 34/ 35 inch Can Pick Up the Ball, AliExpress, Accessed on Apr. 11, 2017; <<https://www.aliexpress.com/item/2016-new-Golf-Club-putter-men-s-gold-silver-33-34-35inch-can-pick-up-the/32744664186.html>>.

* cited by examiner

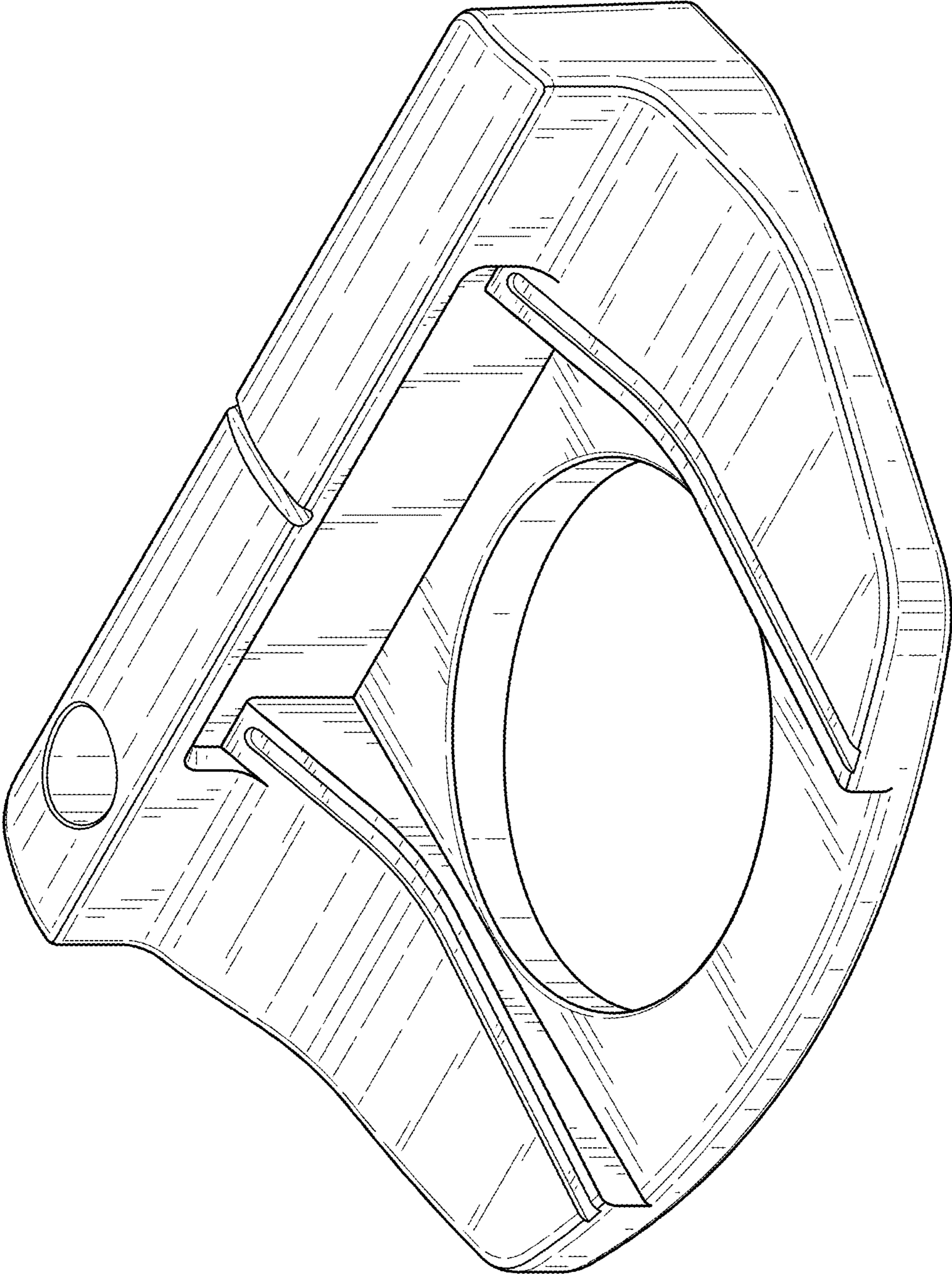


FIG. 1

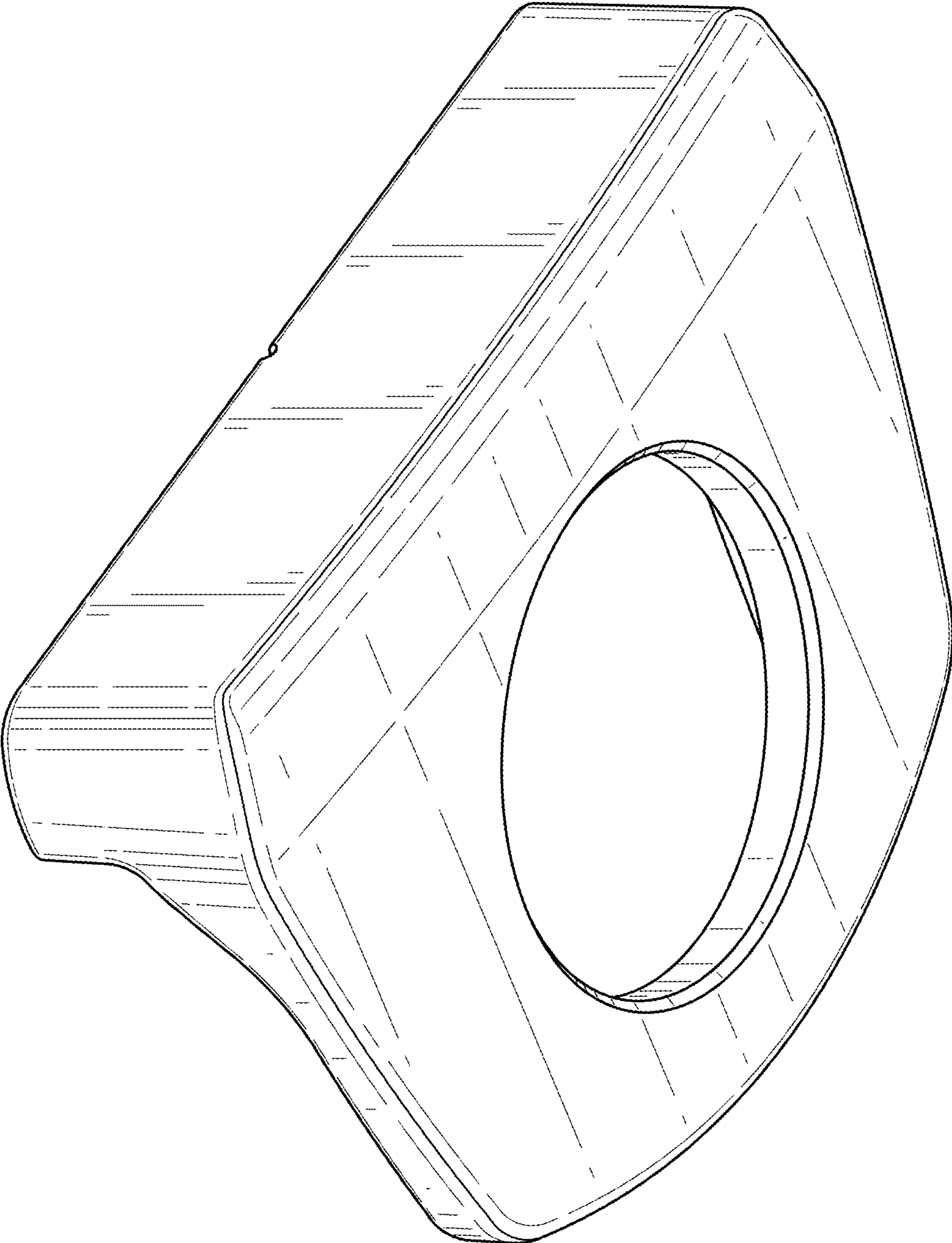


FIG. 2

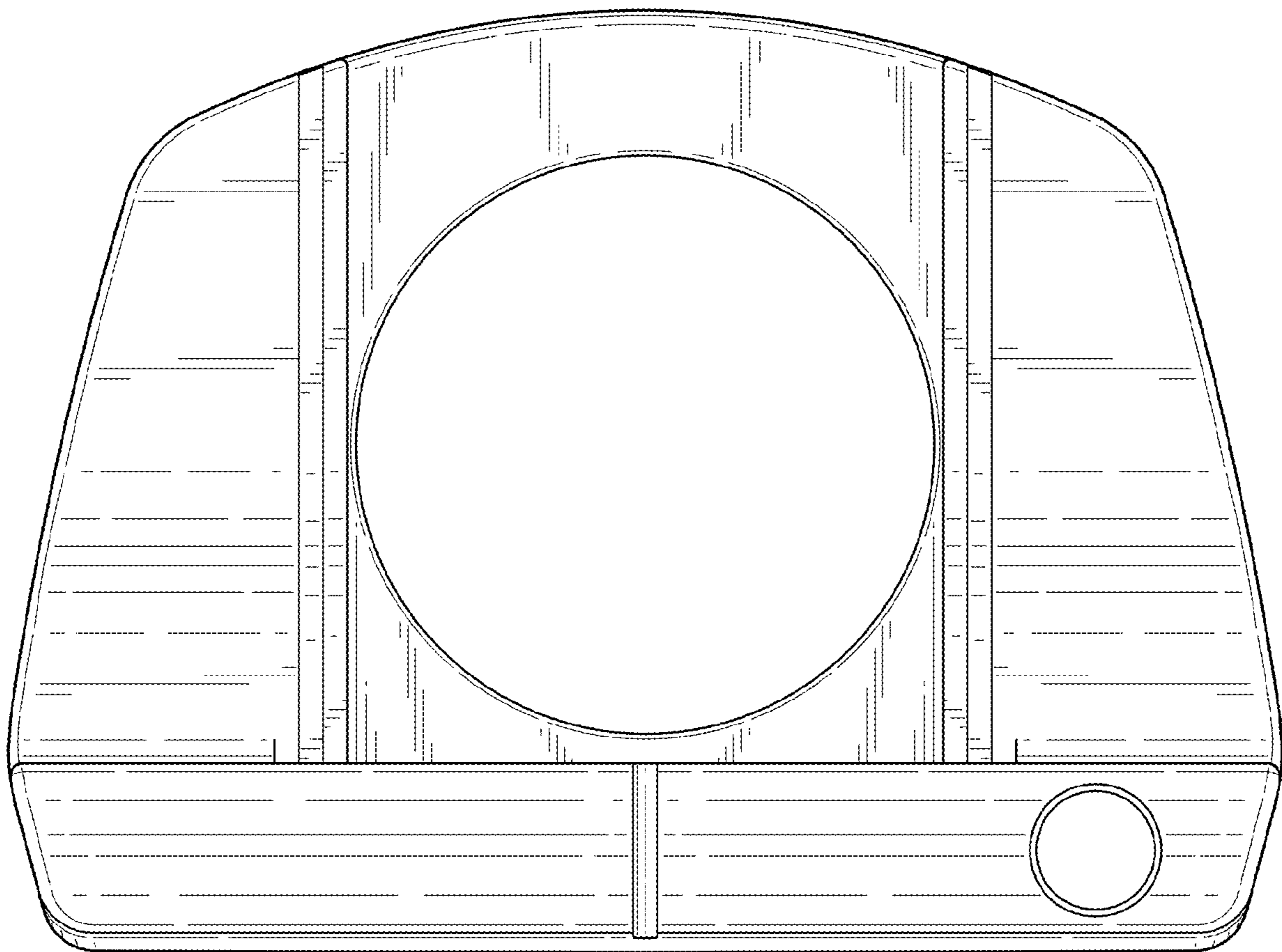


FIG. 3

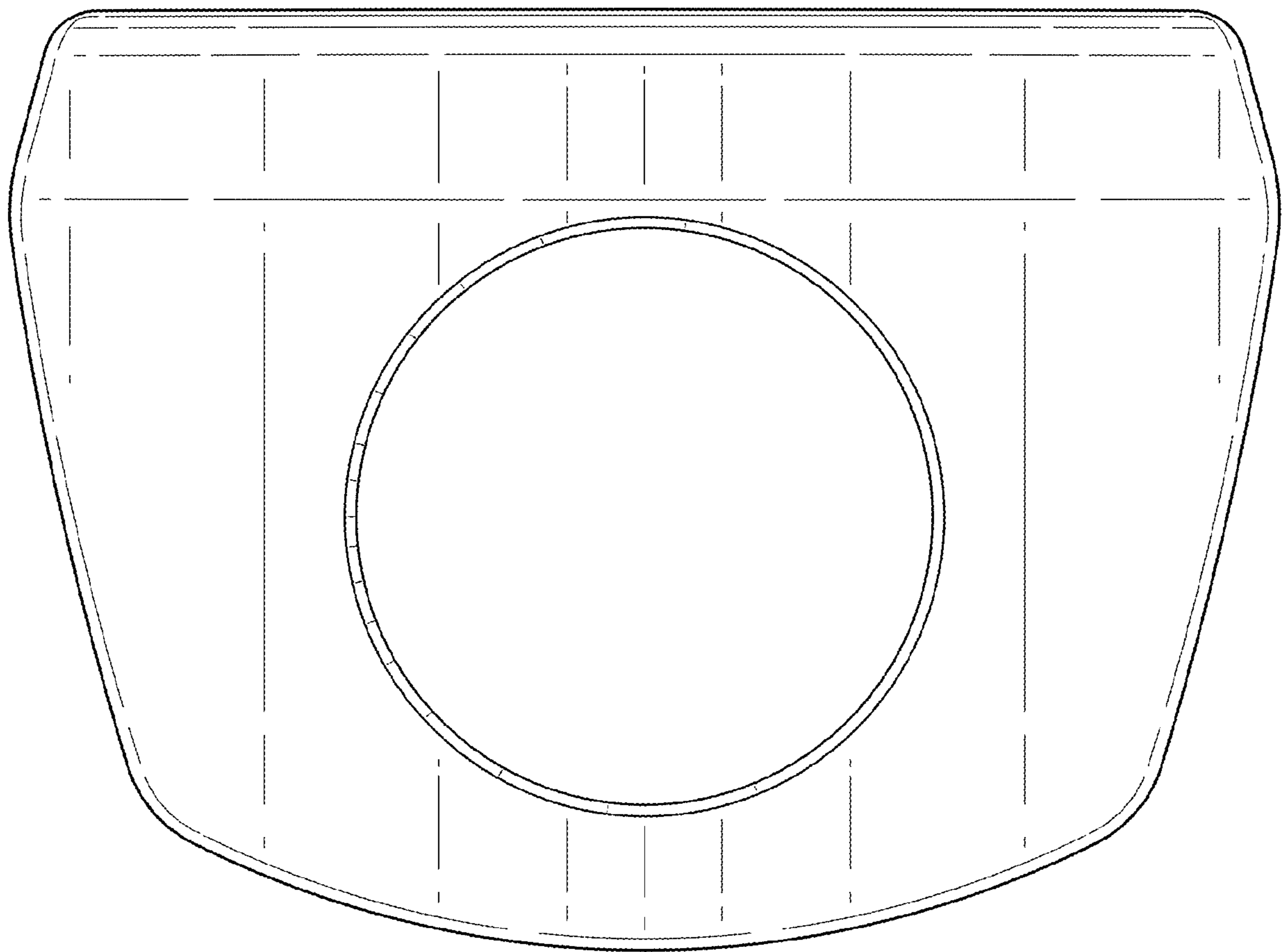


FIG. 4

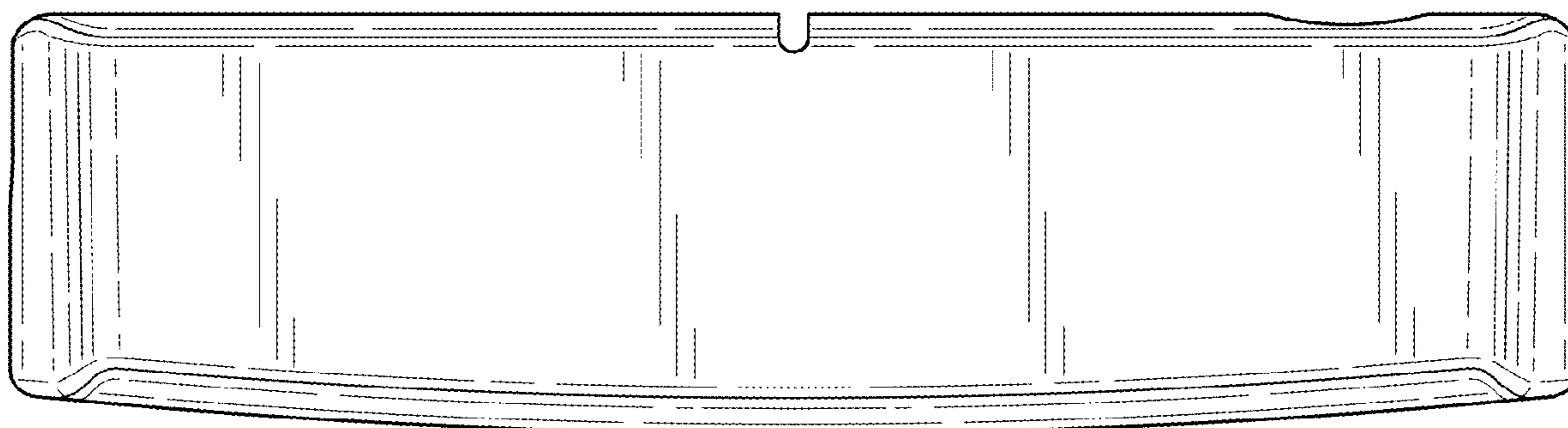


FIG. 5

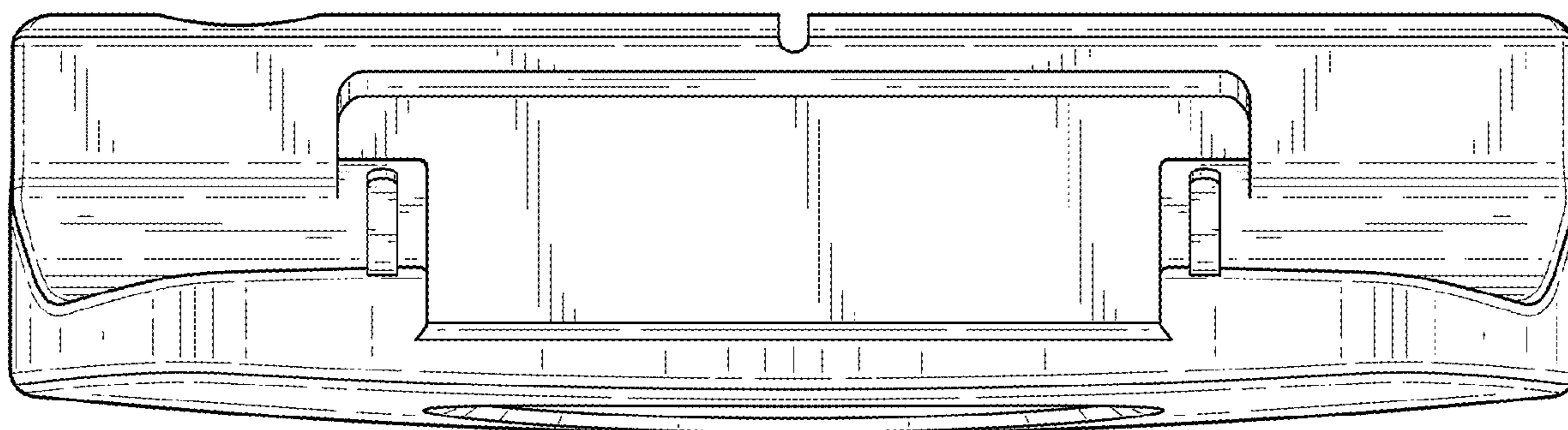


FIG. 6

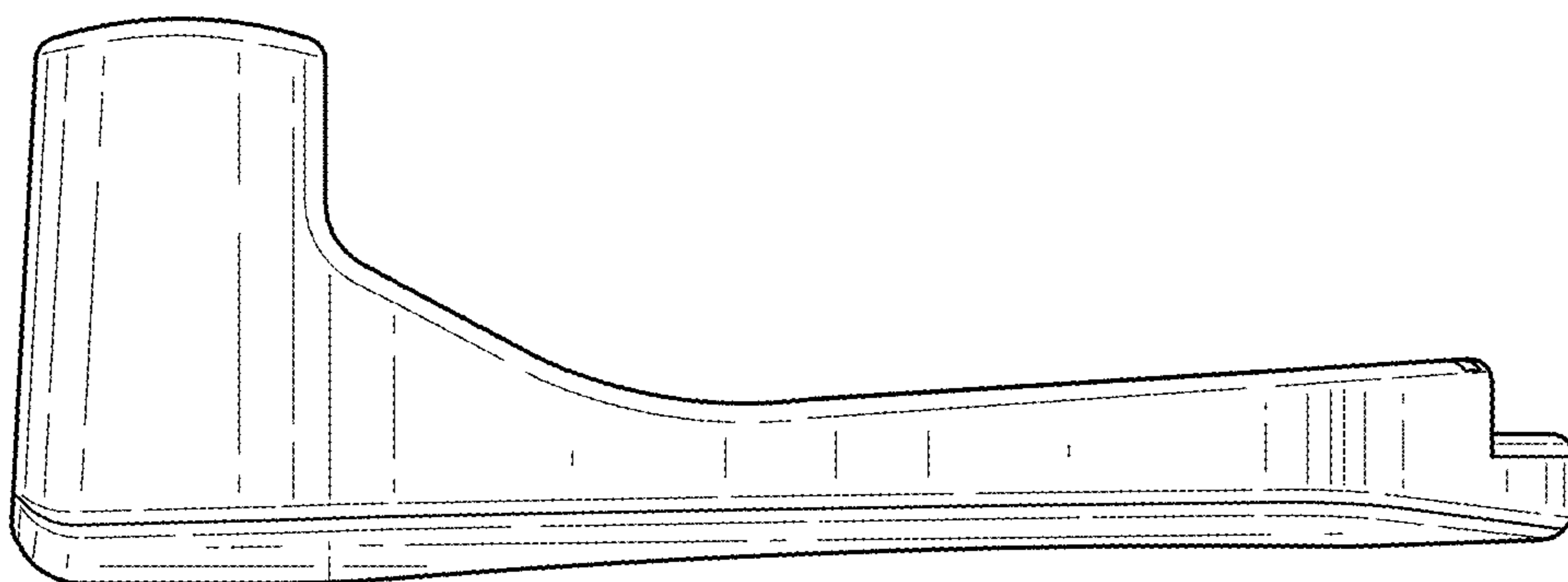


FIG. 7

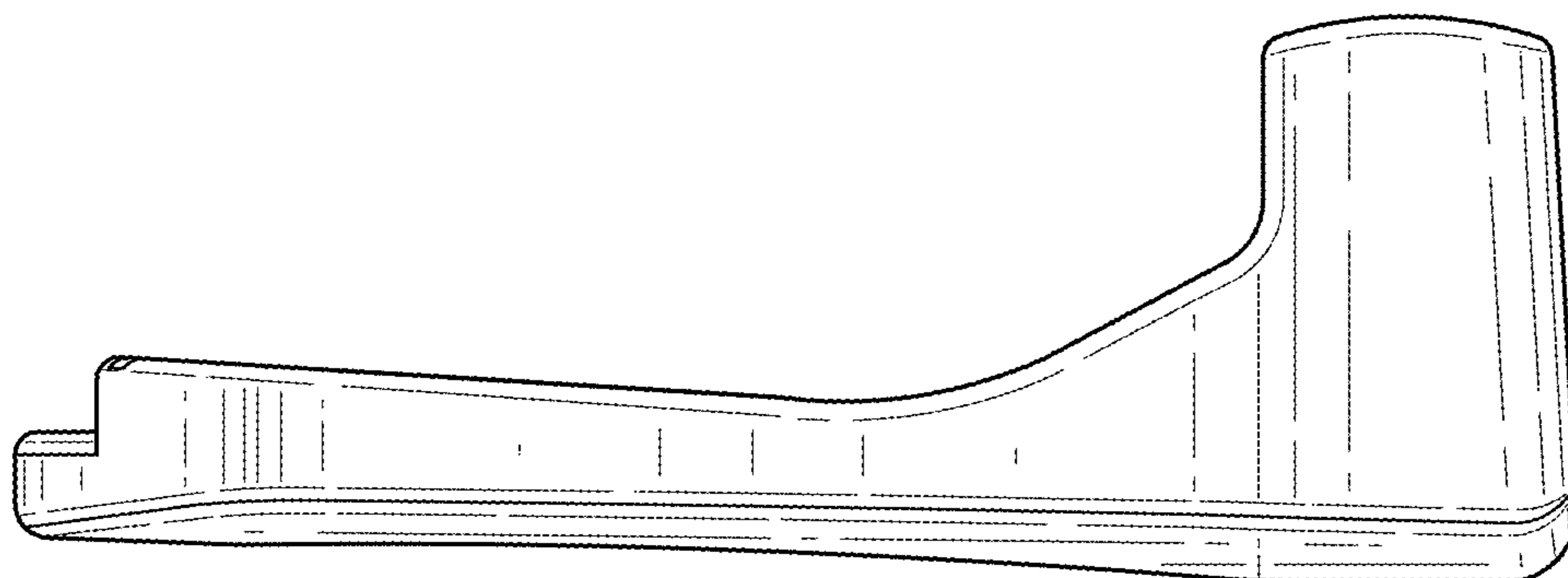


FIG. 8

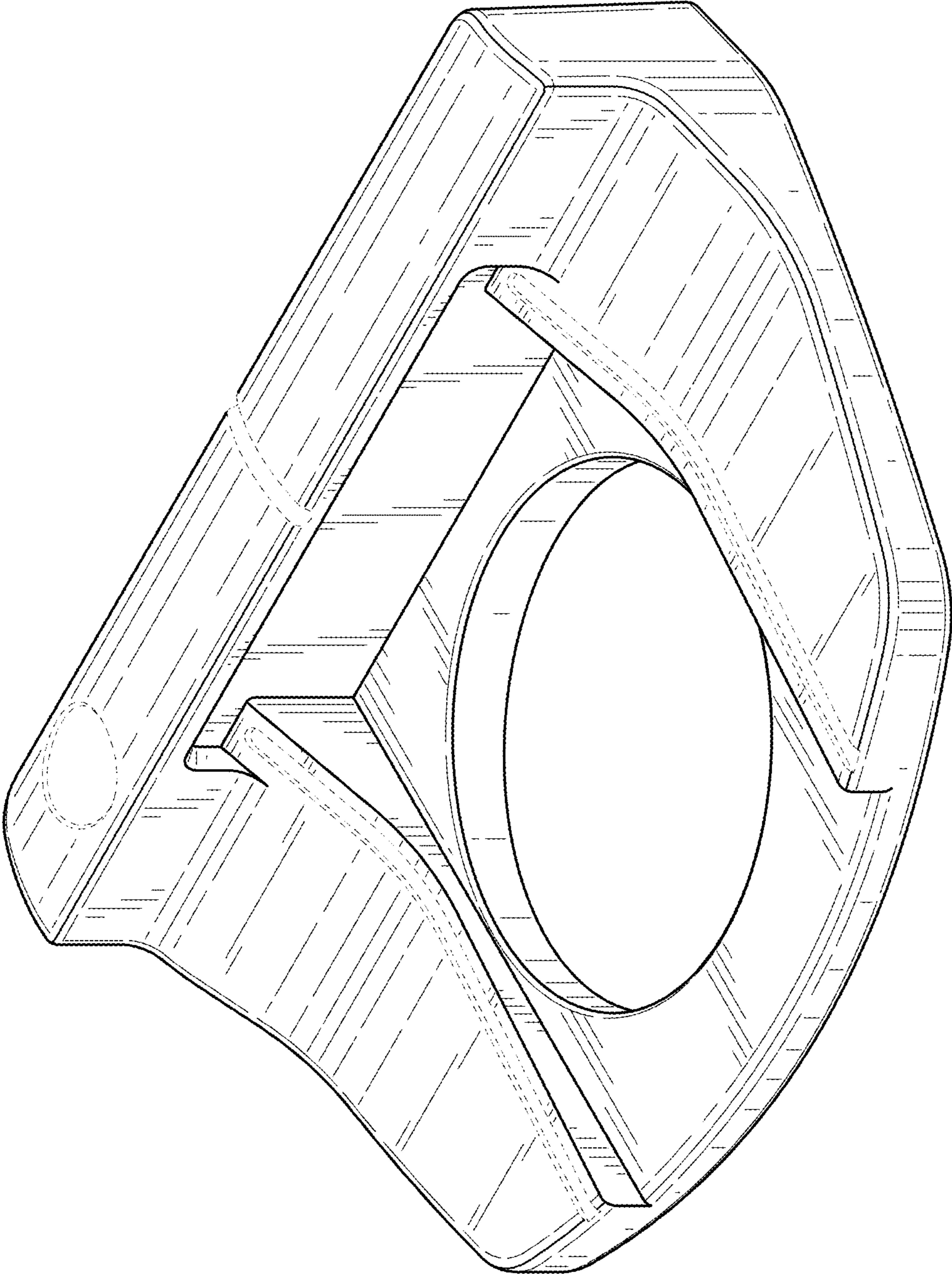


FIG. 9

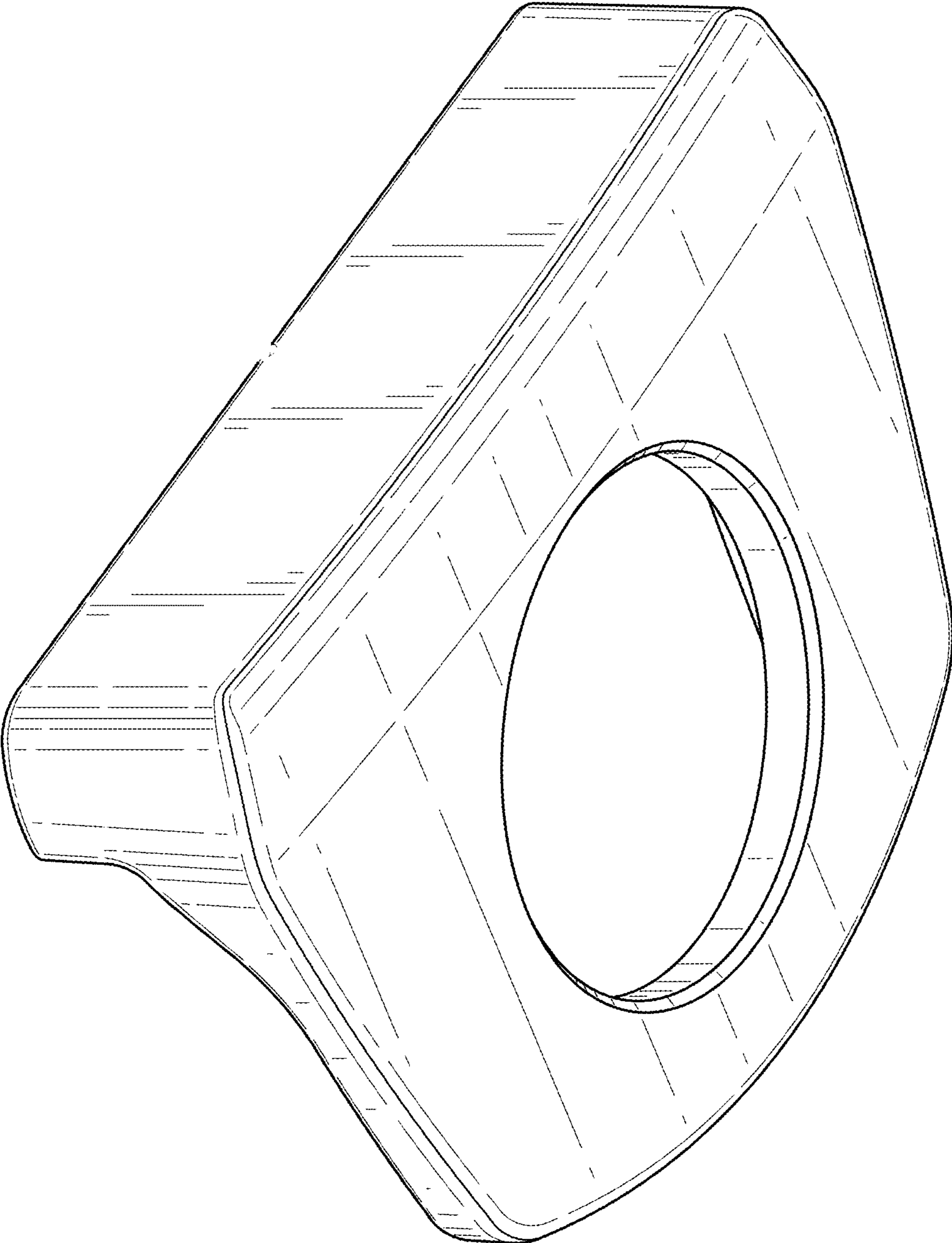


FIG. 10

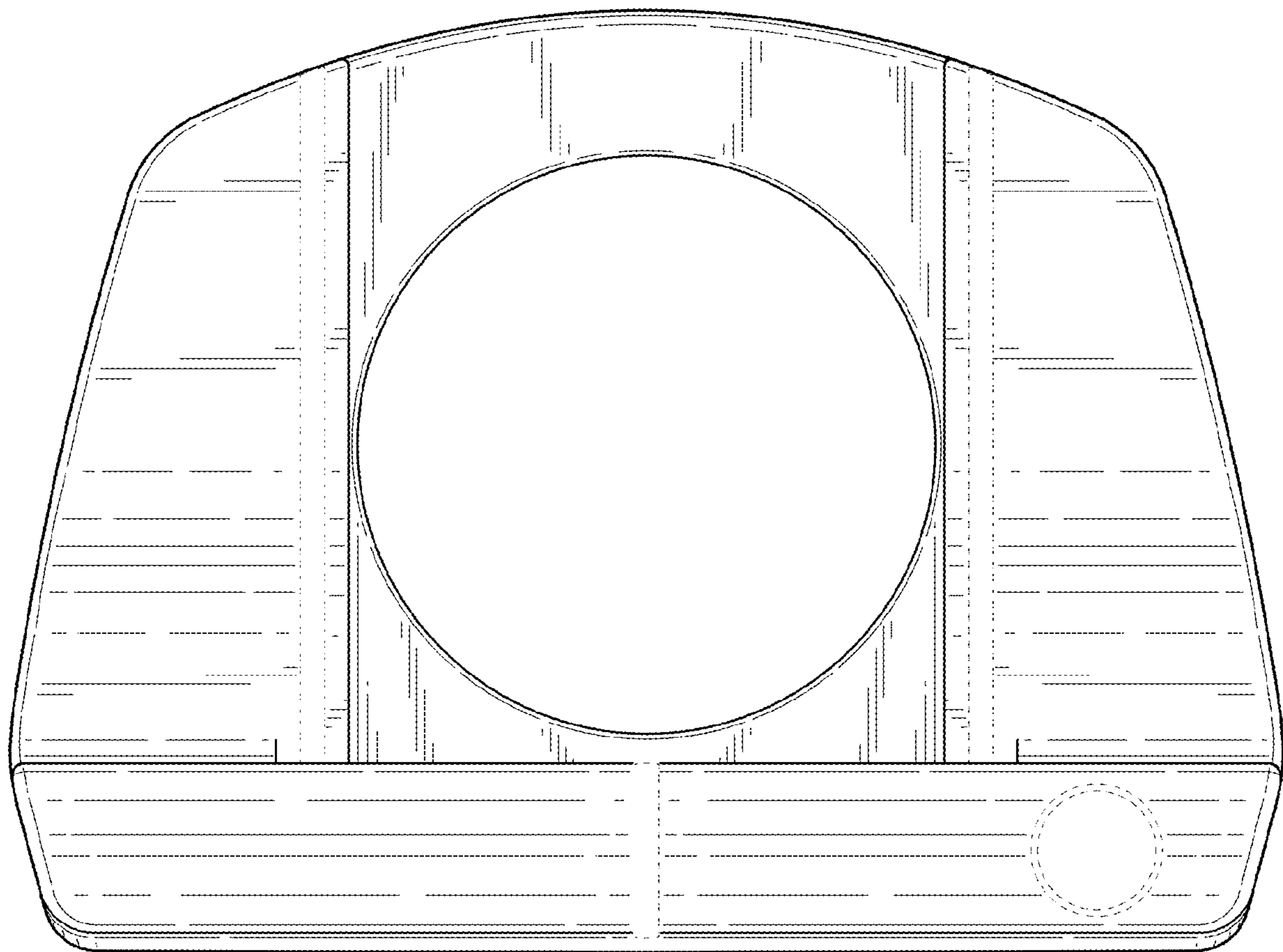


FIG. 11

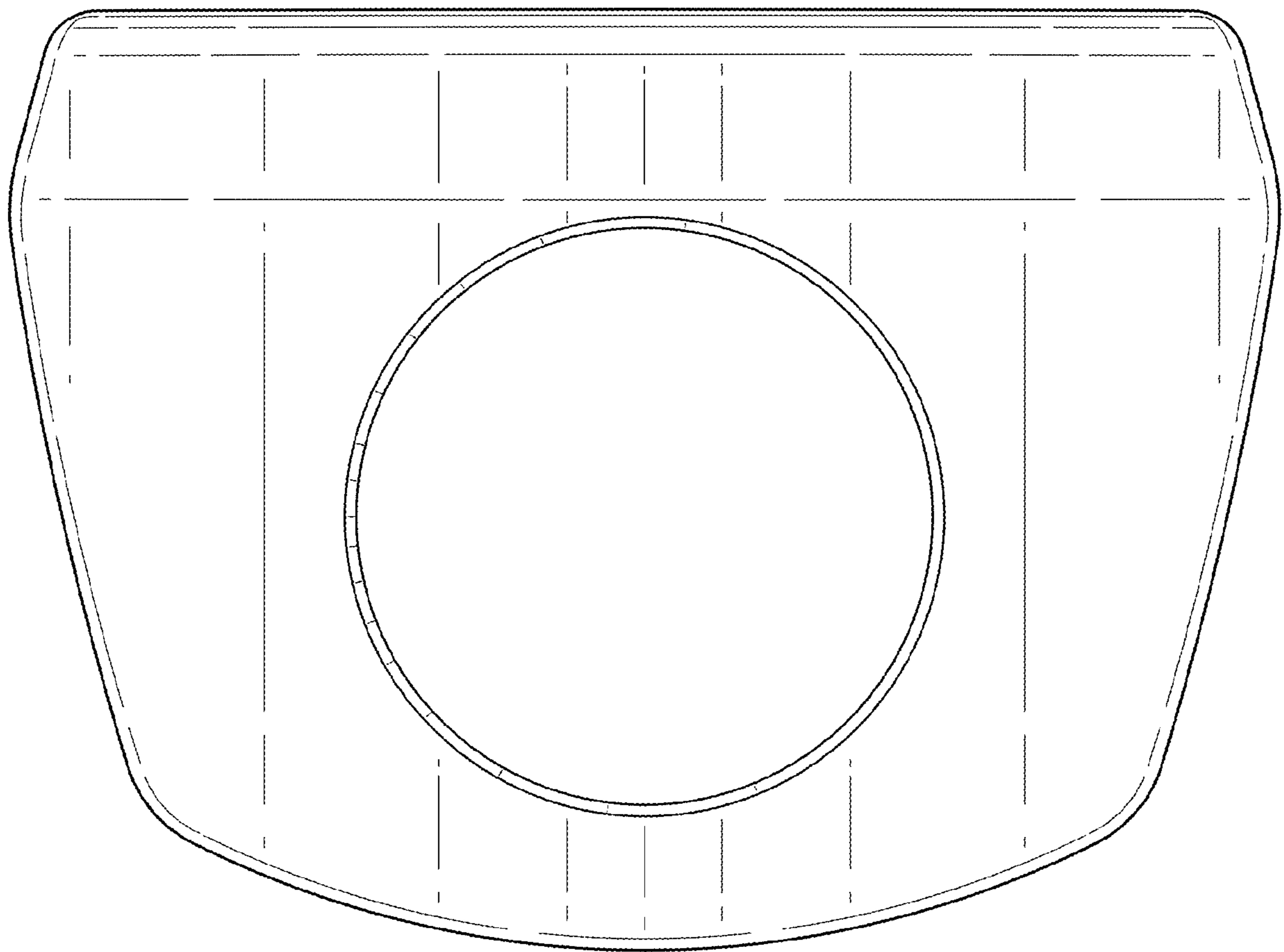


FIG. 12

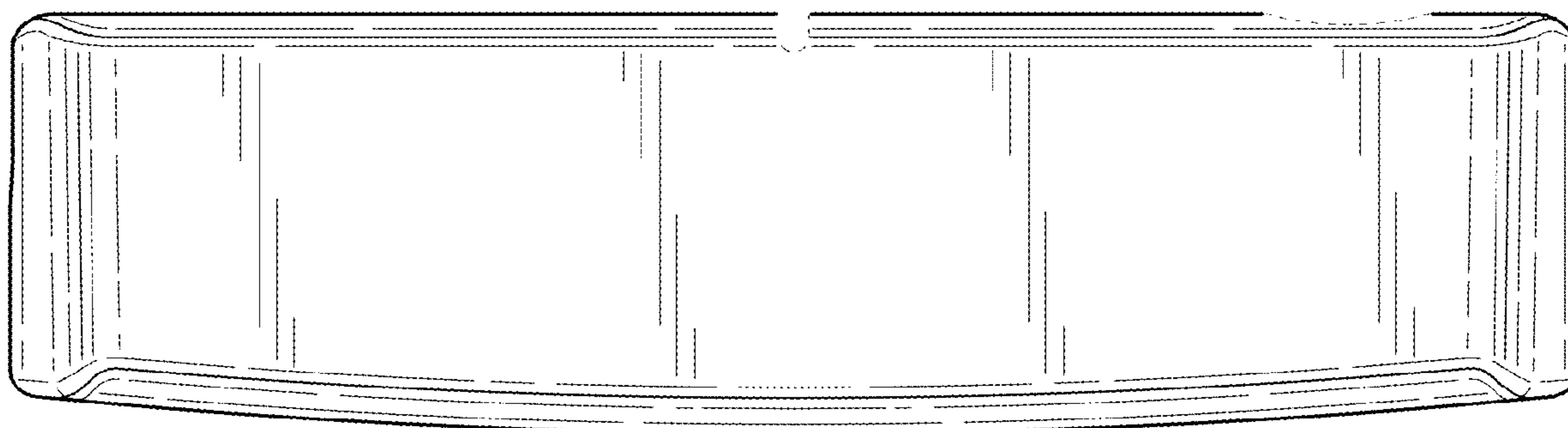


FIG. 13

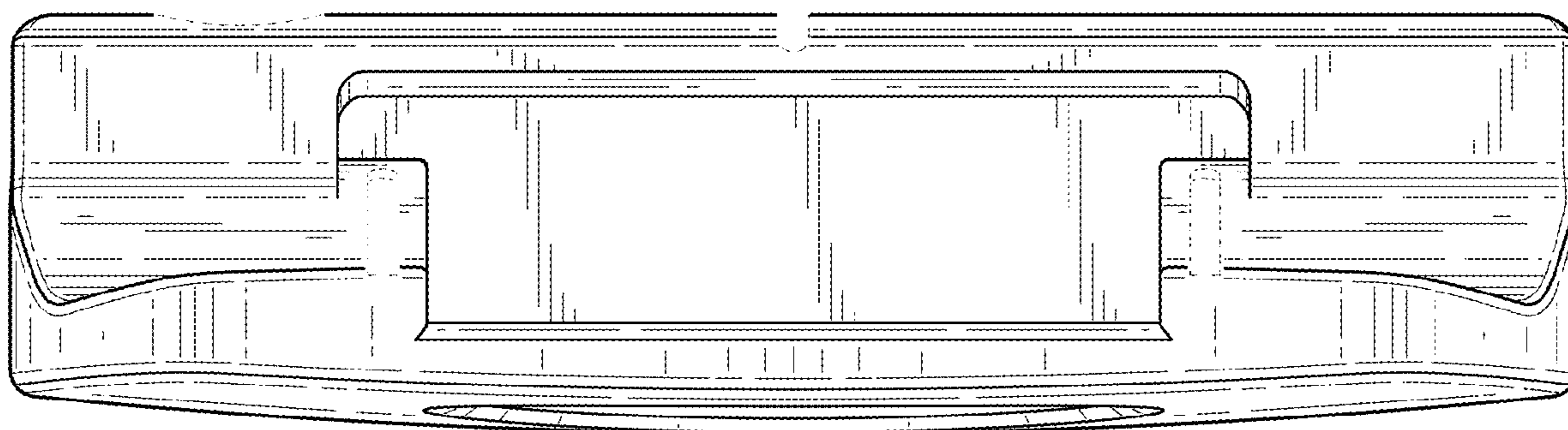


FIG. 14

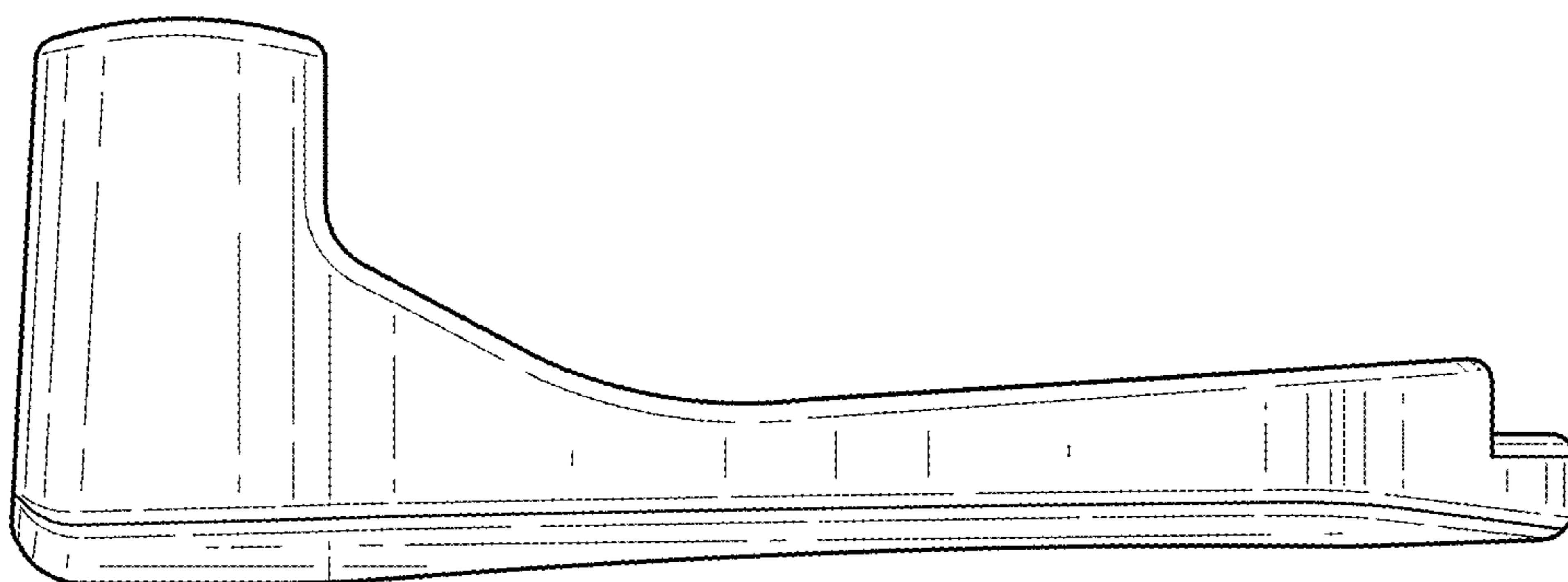


FIG. 15

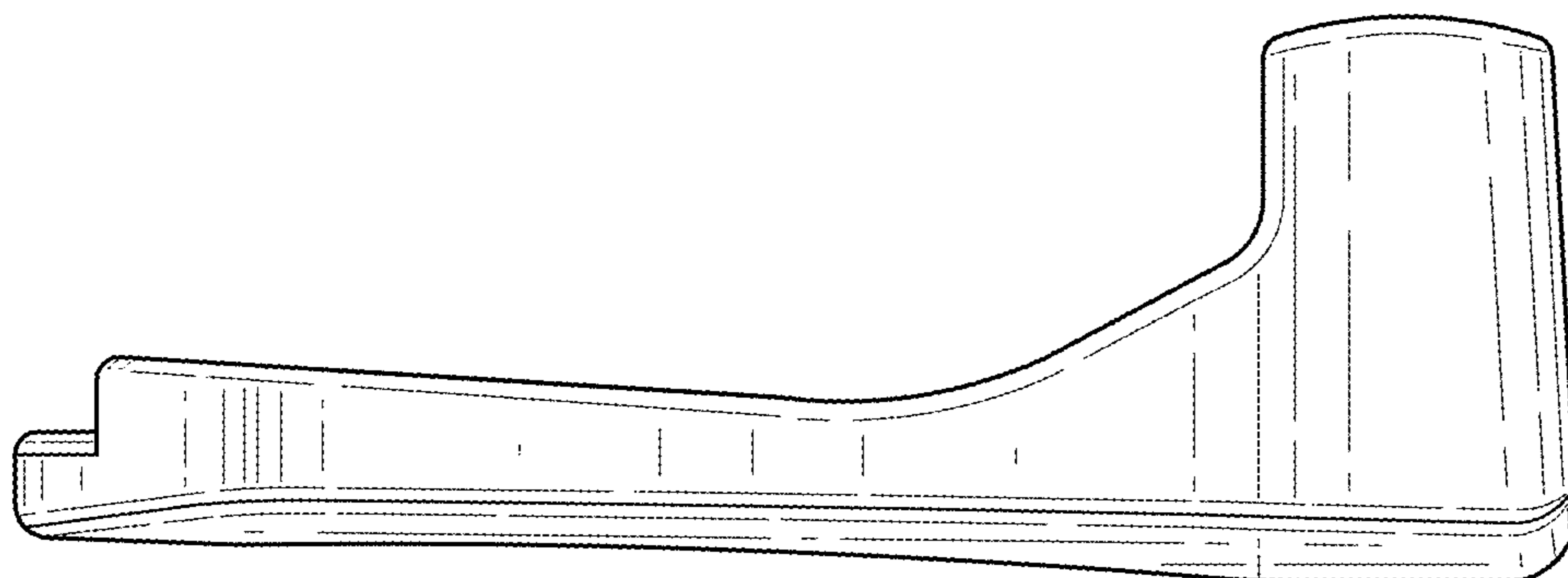


FIG. 16