



US00D965713S

(12) **United States Design Patent**
Richardson

(10) **Patent No.:** **US D965,713 S**

(45) **Date of Patent:** **** Oct. 4, 2022**

(54) **BALL THROWER**

(71) Applicant: **Alexander Richardson**, Marlow (GB)

(72) Inventor: **Alexander Richardson**, Marlow (GB)

(73) Assignee: **Alexander Richardson**, Marlow (GB)

(**) Term: **15 Years**

(21) Appl. No.: **29/749,922**

(22) Filed: **Sep. 10, 2020**

(30) **Foreign Application Priority Data**

Mar. 10, 2020 (EM) 007745237-0001

(51) **LOC (13) Cl.** **21-02**

(52) **U.S. Cl.**
USPC **D21/722; D30/160**

(58) **Field of Classification Search**
USPC D21/722, 724, 756-758; D30/160
CPC A63B 59/30; A63B 59/20; A63B 60/00;
A63B 65/00-127; A63B 67/086; A63B
67/16; A63B 67/165
See application file for complete search history.

(56) **References Cited**

U.S. PATENT DOCUMENTS

3,428,036 A * 2/1969 Parker A63B 59/20
73/862.541
3,589,349 A * 6/1971 Parker A63B 60/08
124/5
D424,640 S * 5/2000 Oblack D21/722
6,076,829 A * 6/2000 Oblack A63B 60/12
473/509
6,477,745 B2 * 11/2002 Strebl A63B 60/12
24/336
D484,938 S * 1/2004 Tu D21/789
D554,717 S * 11/2007 McKinnell D21/722
7,686,001 B2 * 3/2010 Fitt A63B 59/20
124/5
D630,277 S * 1/2011 McKinnell D21/722

D637,248 S * 5/2011 Levin D21/722
D640,338 S * 6/2011 Oblack D21/722
D655,359 S * 3/2012 Thorogood D21/722
D666,686 S * 9/2012 Burger D21/722

(Continued)

FOREIGN PATENT DOCUMENTS

GB 4036792 * 2/2021

OTHER PUBLICATIONS

Hyper Pet Dog Launcher; Amazon.com; Jan. 2014.*

(Continued)

Primary Examiner — Mitchell I. Siegel

(74) *Attorney, Agent, or Firm* — Soroker Agmon
Nordman

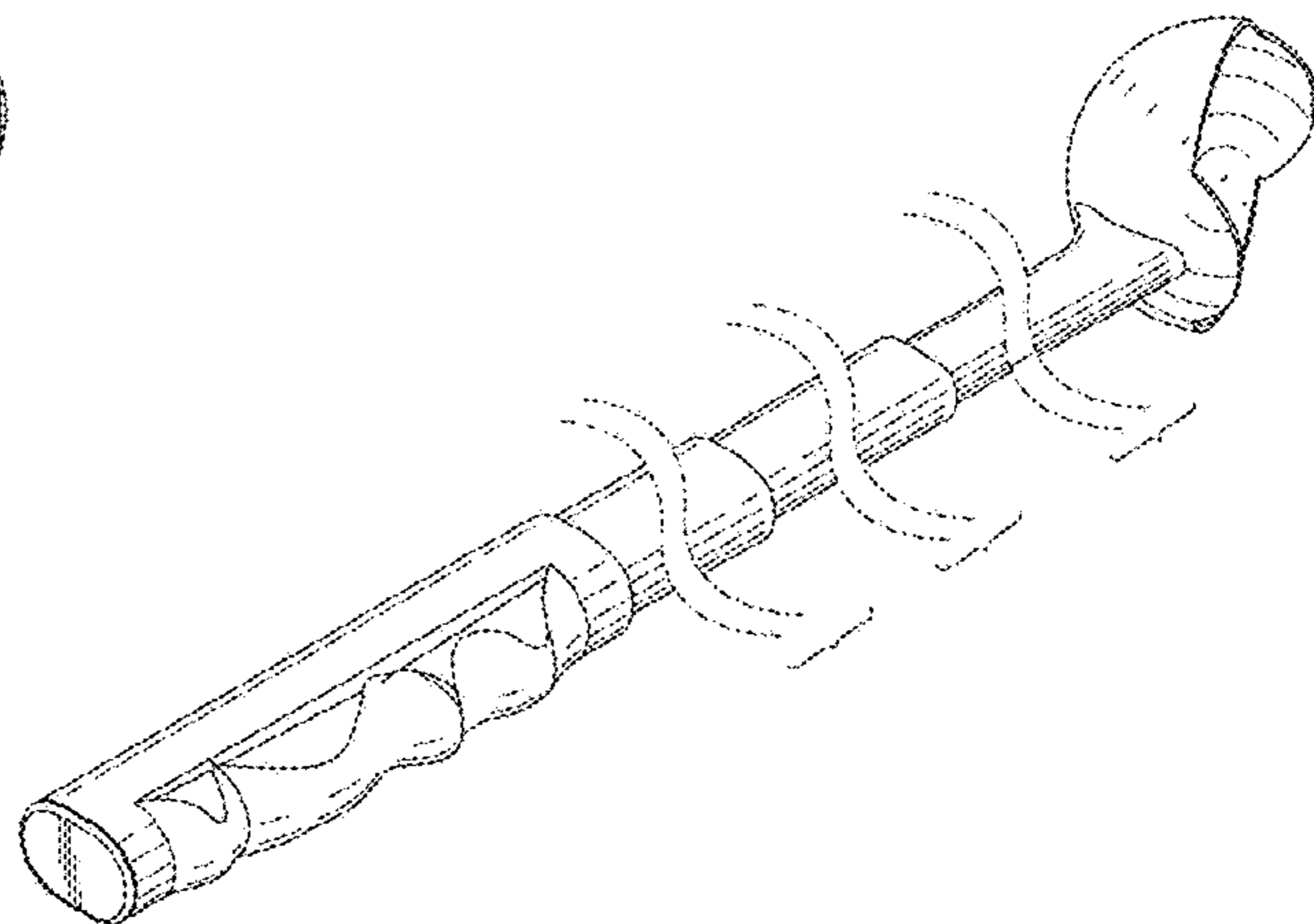
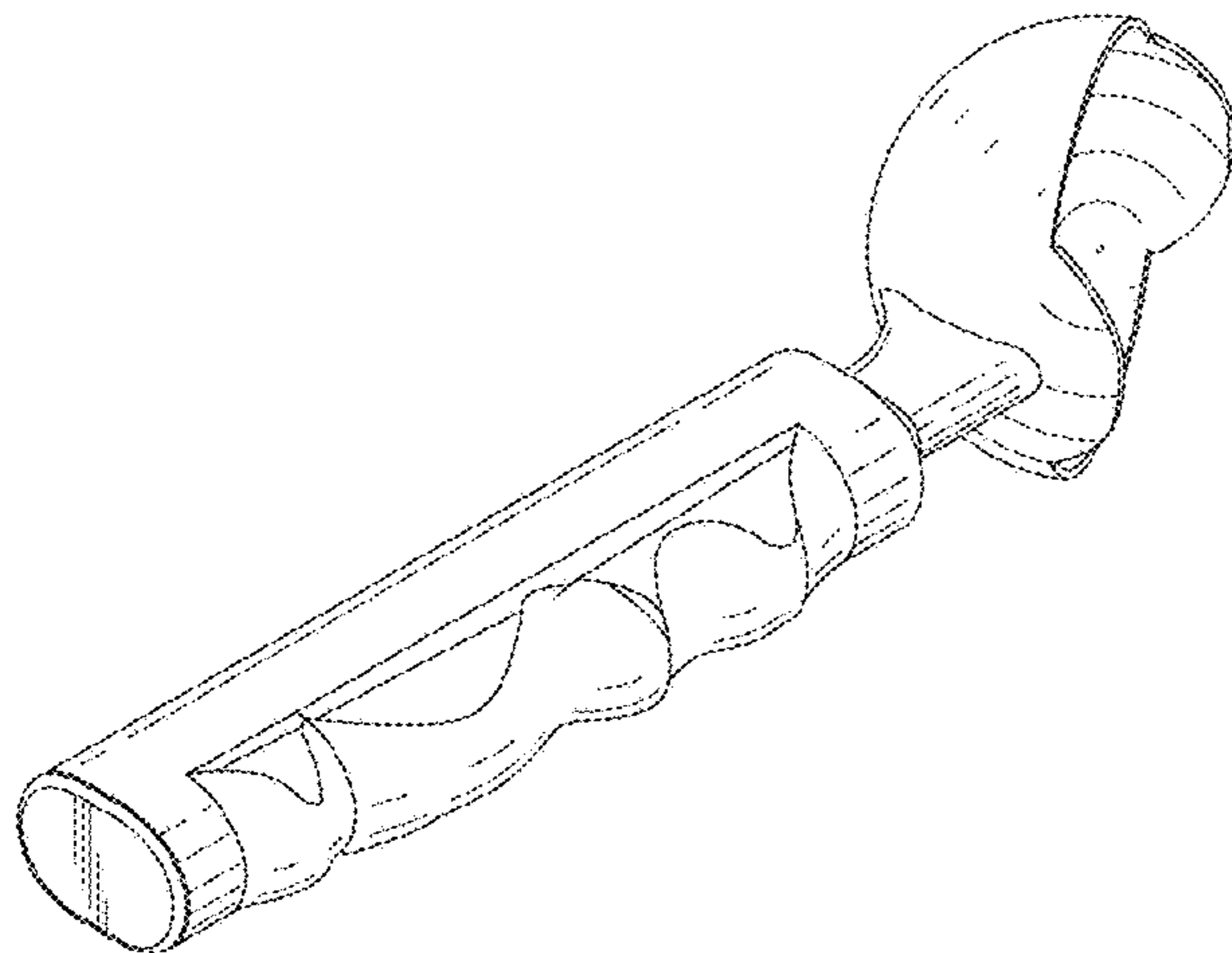
(57) **CLAIM**

The ornamental design for a ball thrower, as shown and described.

DESCRIPTION

FIG. 1 is a top view of a ball thrower of my new design; FIG. 2 is a bottom view of the ball thrower thereof; FIG. 3 is a right-side view of the ball thrower; FIG. 4 is a right-side view of the ball thrower being shown in an alternate configuration; FIG. 5 is a left-side view of the ball thrower of FIG. 3; FIG. 6 is a left-side view of the ball thrower of FIG. 4; FIG. 7 is a front view of the ball thrower of FIG. 3; FIG. 8 is a front view of the ball thrower of FIG. 4; FIG. 9 is a rear view of the ball thrower of FIG. 3; FIG. 10 is a rear view of the ball thrower of FIG. 4; FIG. 11 is a perspective view of the ball thrower of FIG. 3; and, FIG. 12 is a perspective view of the ball thrower of FIG. 4. Portions of the claimed design are shown separated and bound by a bracket to indicate indeterminate length.

1 Claim, 6 Drawing Sheets



(56)

References Cited

U.S. PATENT DOCUMENTS

D674,851 S * 1/2013 Osborne D21/722
D759,907 S * 6/2016 Weinstein D30/160
D839,976 S * 2/2019 Legoski D21/722
D863,476 S * 10/2019 Haarburger D21/722
D898,139 S * 10/2020 Stearman D21/722
D907,727 S * 1/2021 Tamulewicz D21/722
11,198,047 B2 * 12/2021 Tamulewicz A63B 65/122

OTHER PUBLICATIONS

Pawise Dog Ball Launcher; Amazon.com; Jun. 2020.*
Nerf Dog Thrower; Amazon.com; Sep. 2020.*
ChuckIt! Sport Ball Launcher; Amazon.com; Dec. 2003.*
Google.com; Ball Thrower; Feb. 15, 2022.*

* cited by examiner

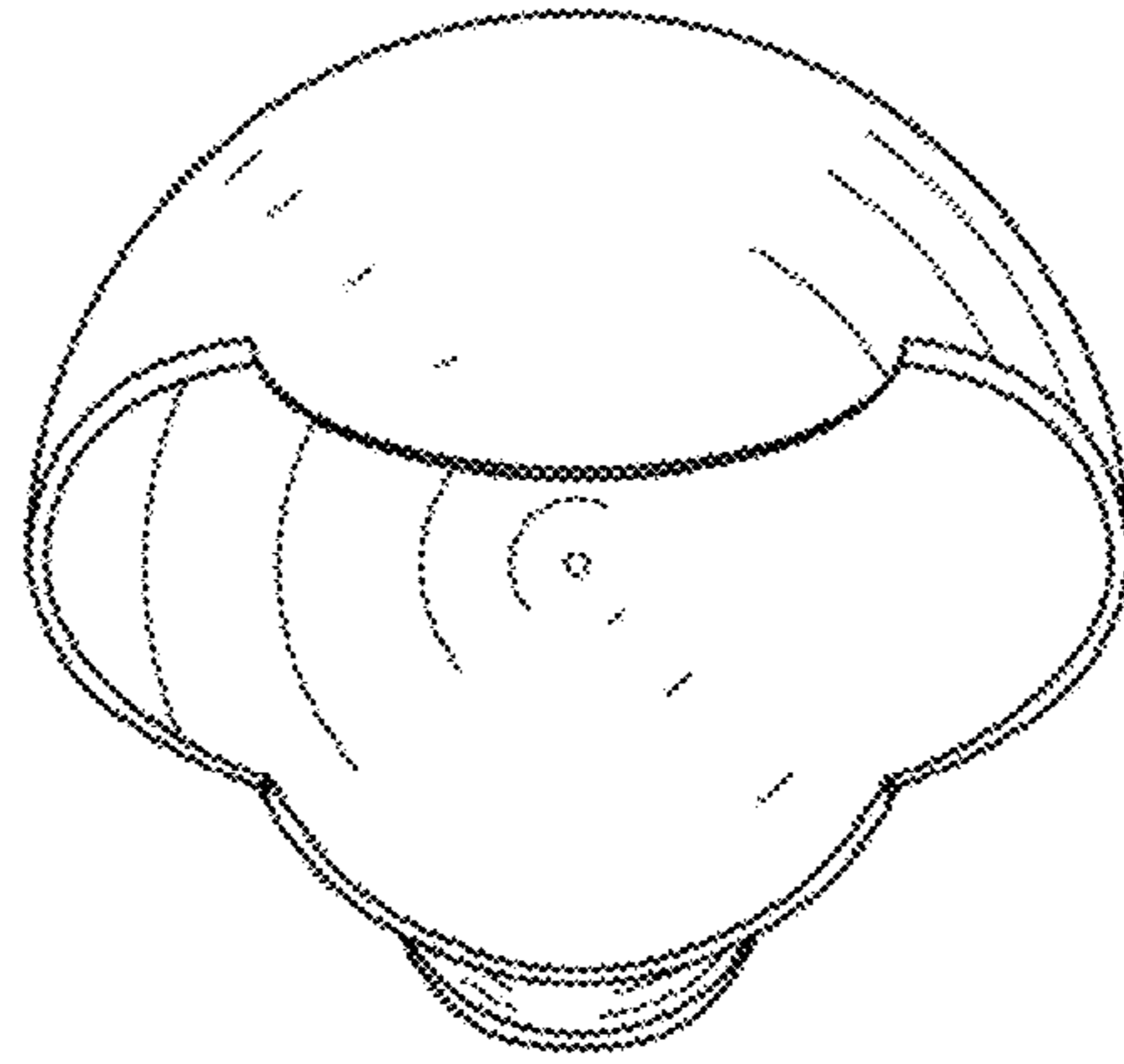


FIG. 1

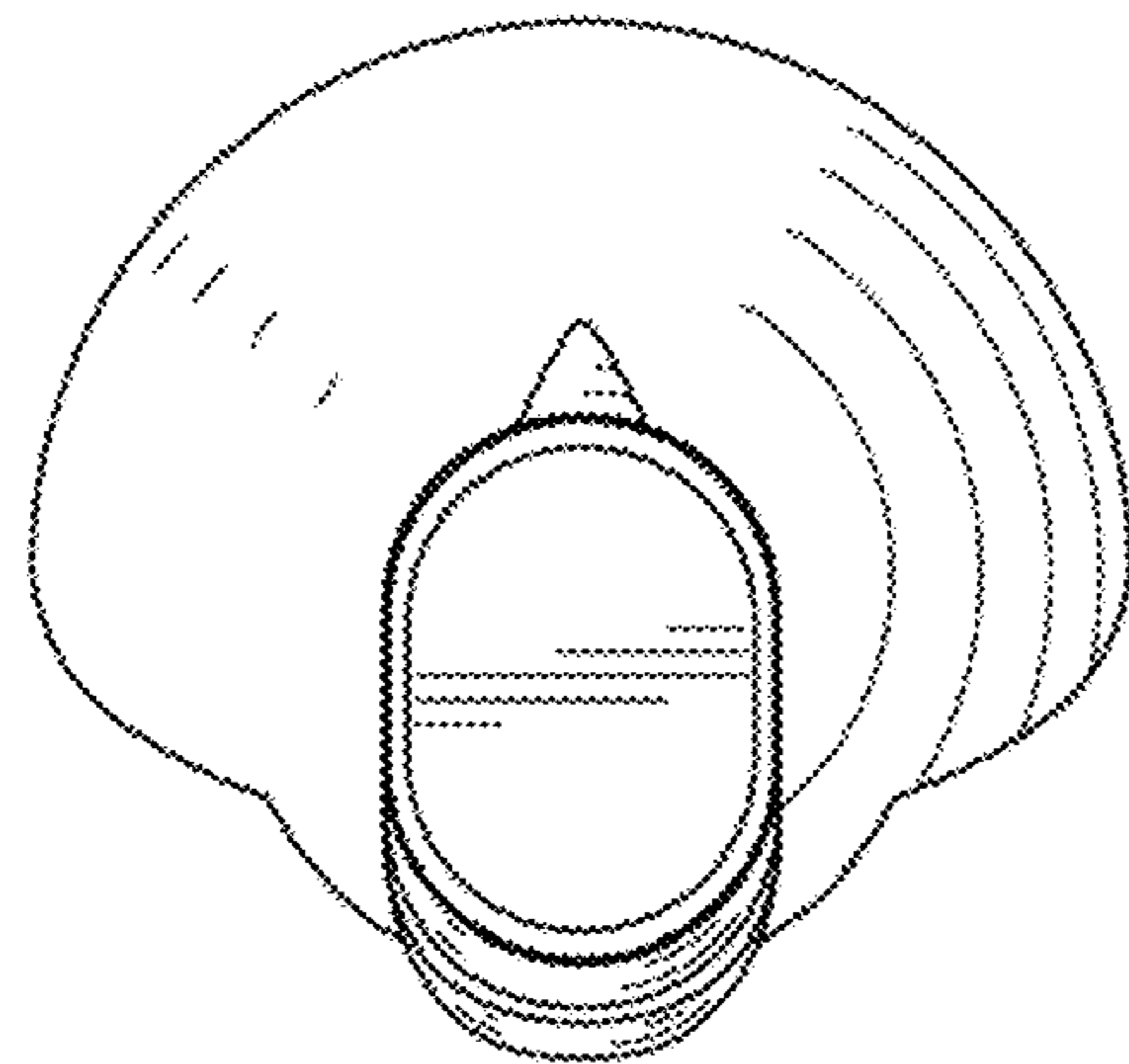


FIG. 2

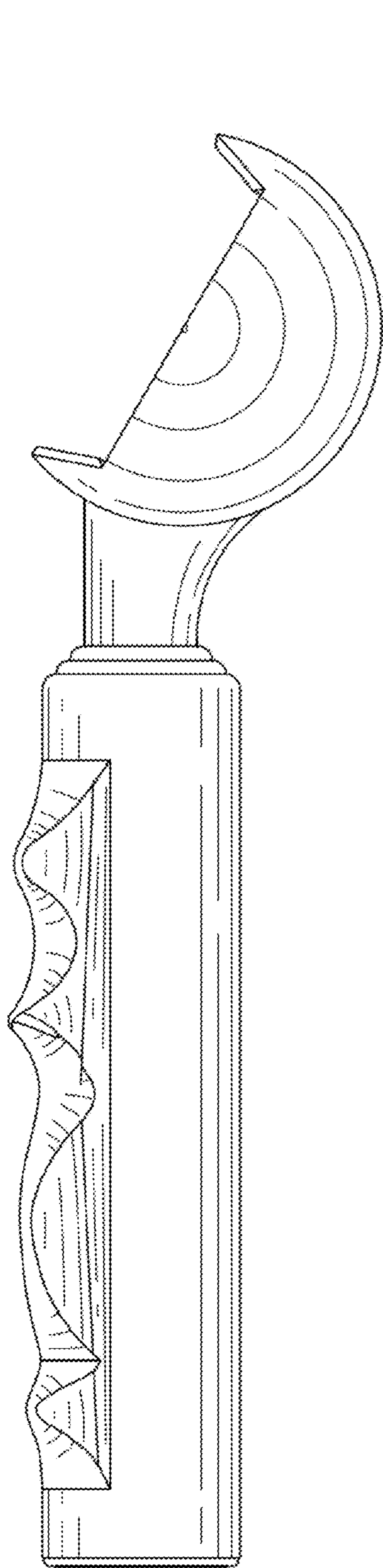


FIG. 3

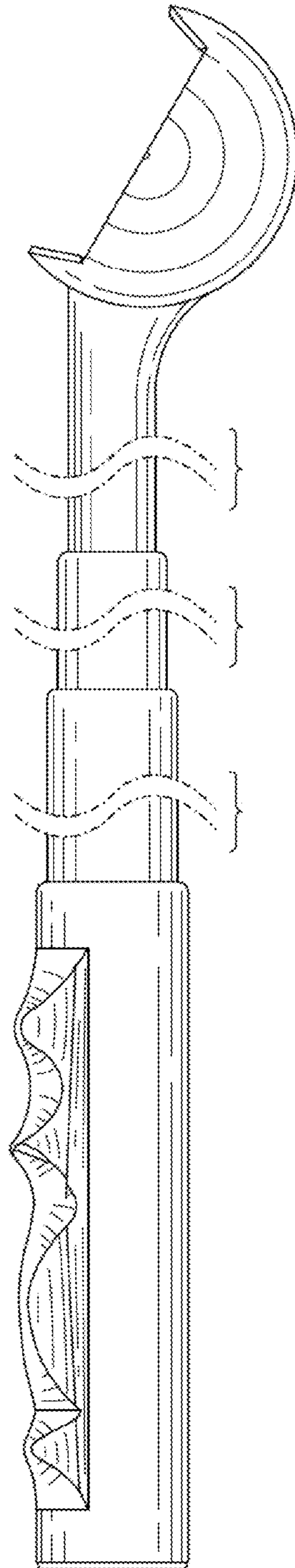


FIG. 4

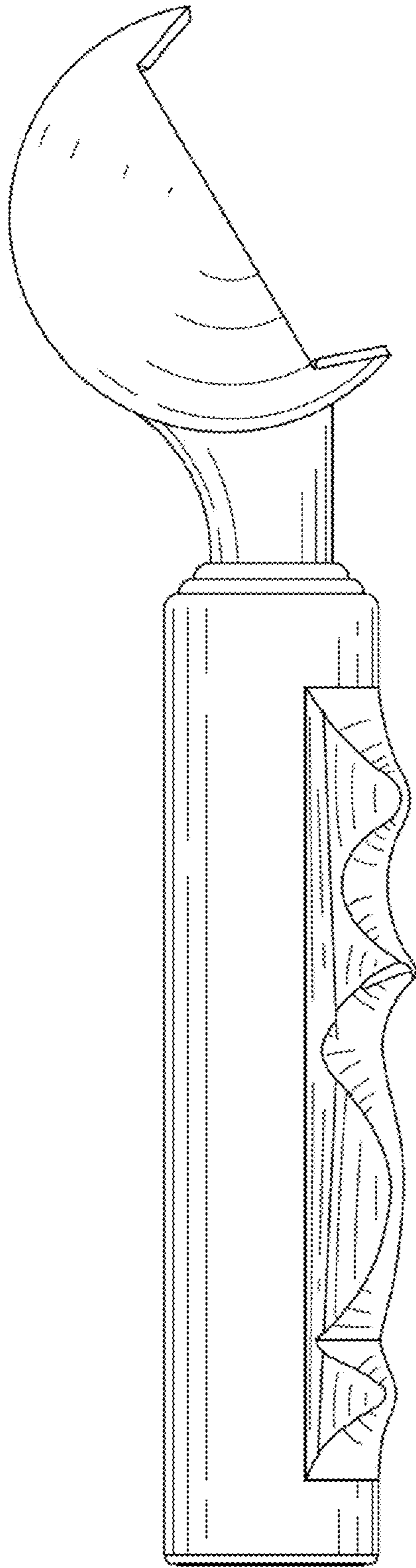


FIG. 5

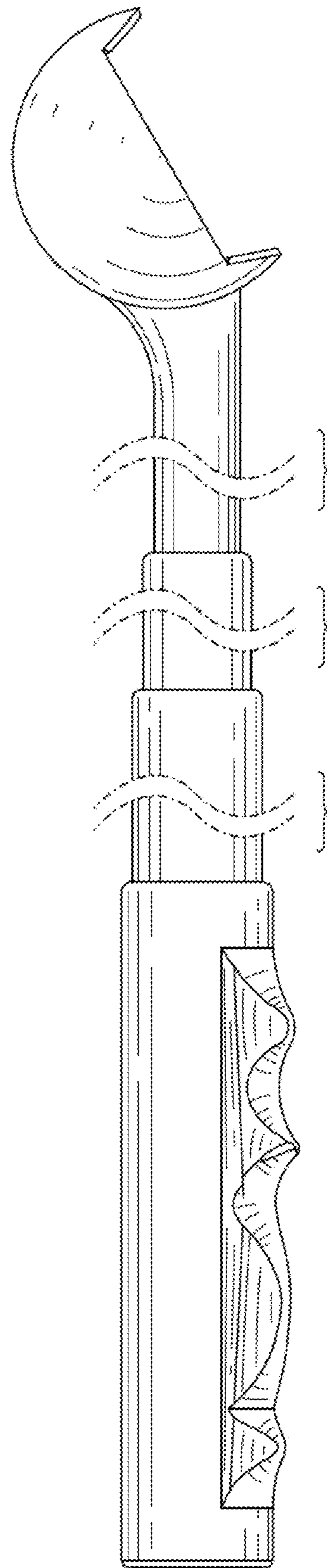


FIG. 6

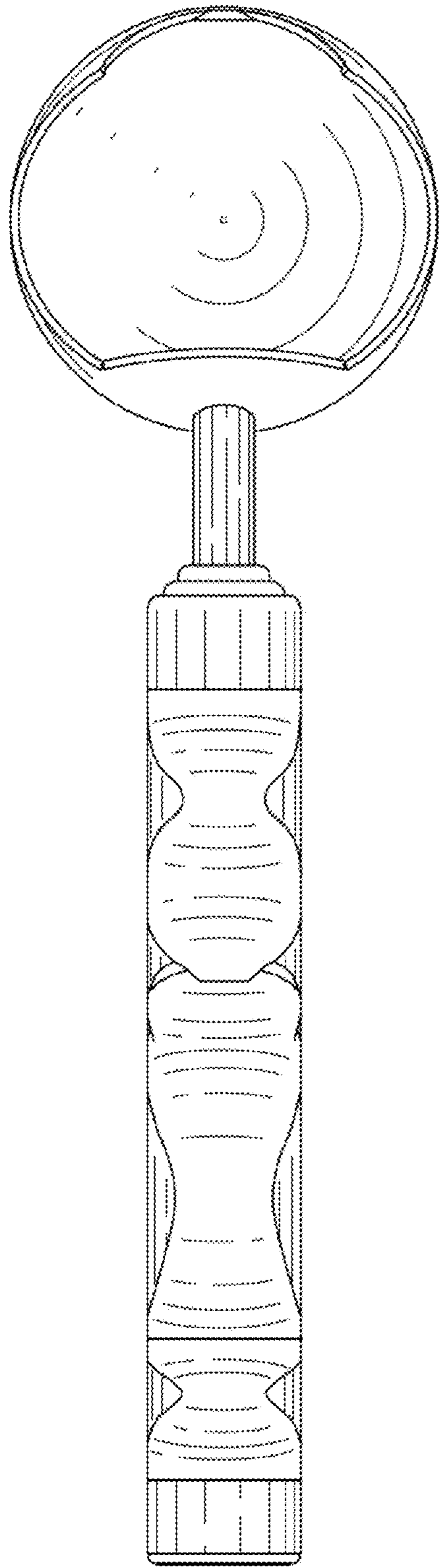


FIG. 7

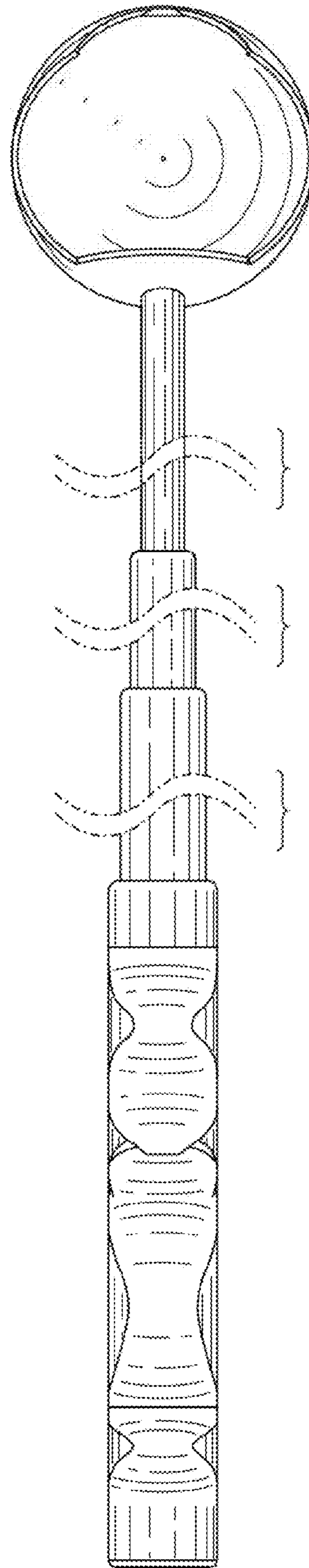


FIG. 8

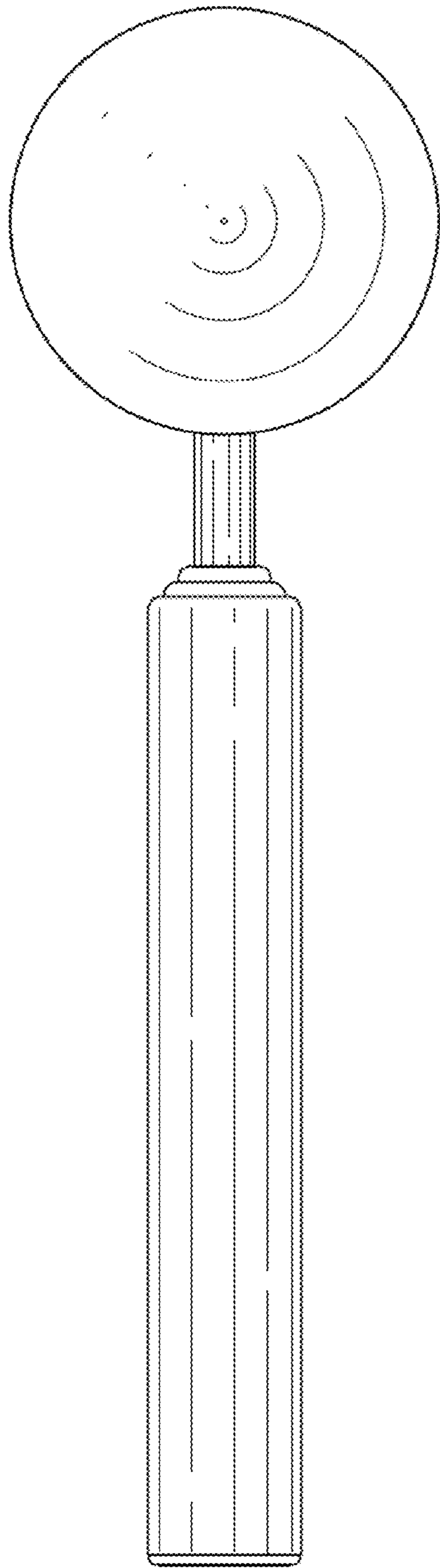


FIG. 9

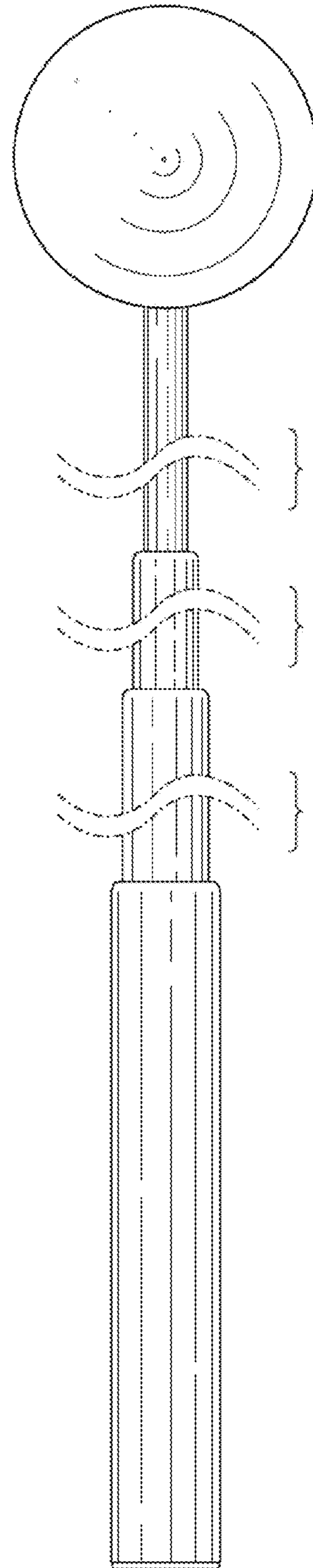


FIG. 10

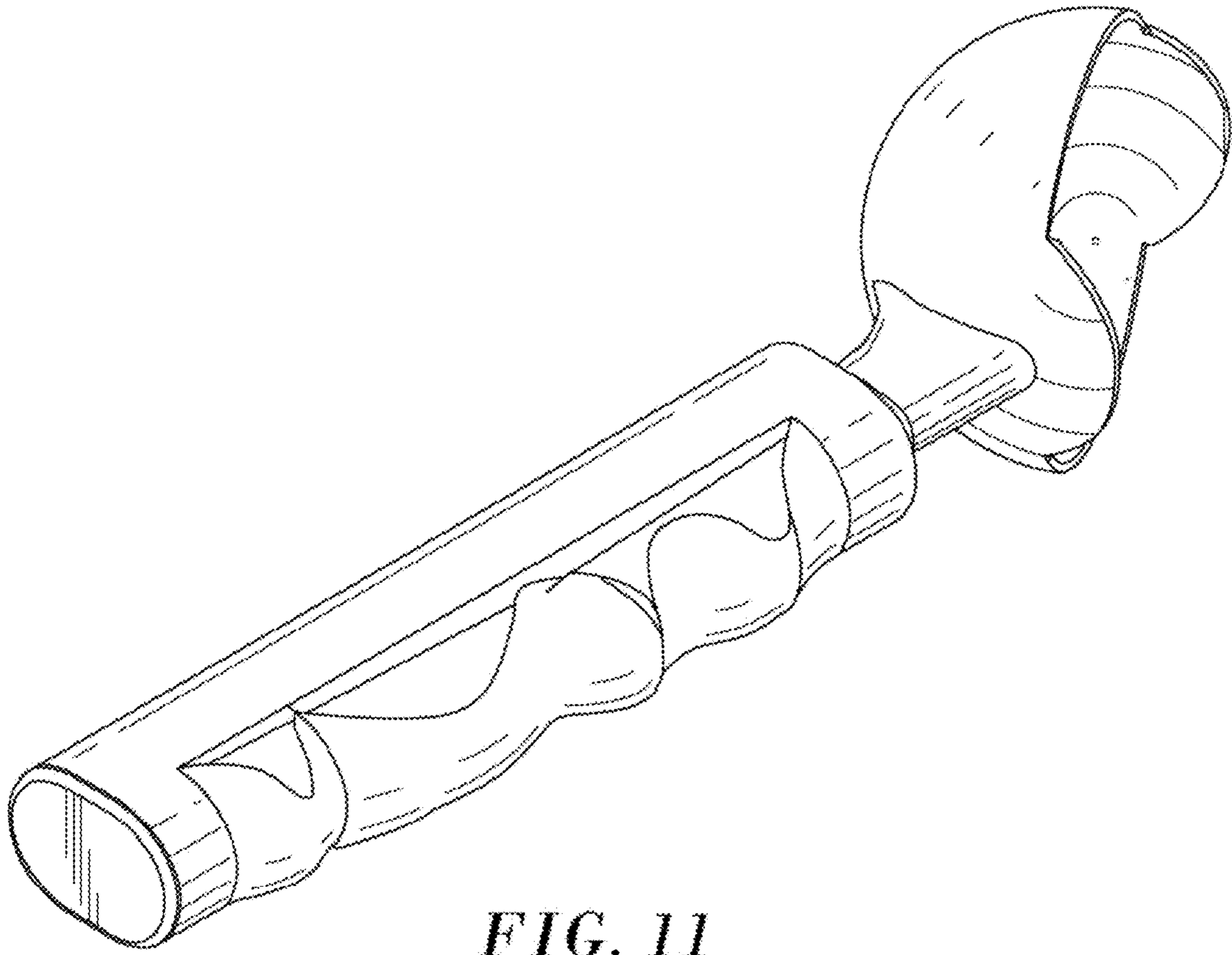


FIG. 11

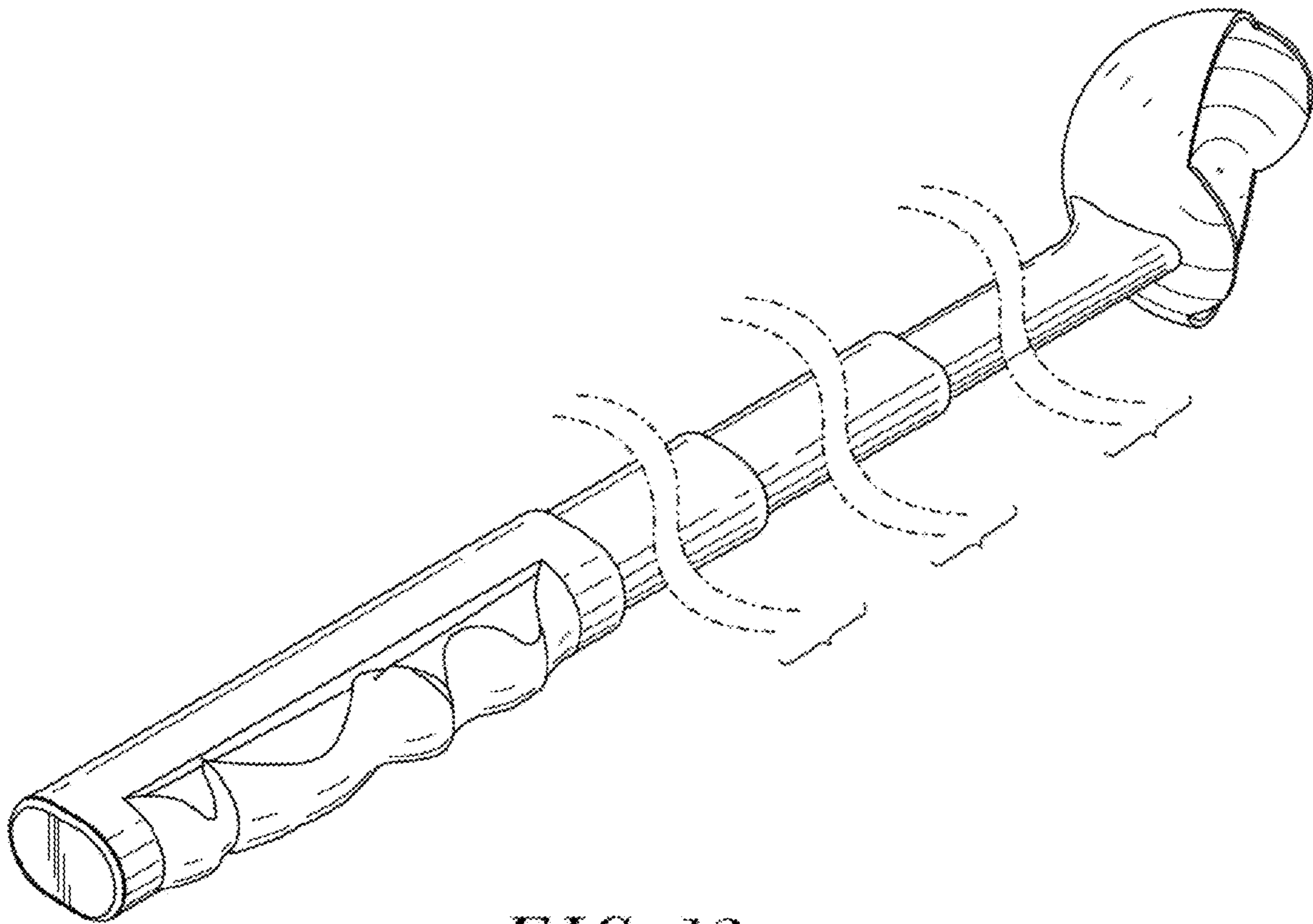


FIG. 12